



US00D586796S

(12) **United States Design Patent**
Lee et al.

(10) **Patent No.:** **US D586,796 S**
(45) **Date of Patent:** **** Feb. 17, 2009**

(54) **NOTEBOOK COMPUTER**

(75) Inventors: **Se-O Lee**, Kyunggi-do (KR); **Atsushi Kawase**, Seoul (KR)

(73) Assignee: **Samsung Electronics Co., Ltd.**, Suwon, Kyunggi-Do (KR)

(**) Term: **14 Years**

(21) Appl. No.: **29/301,707**

(22) Filed: **Mar. 13, 2008**

(51) **LOC (9) Cl.** **14-02**

(52) **U.S. Cl.** **D14/315**

(58) **Field of Classification Search** D14/315–328;
D18/1, 2, 7, 11; 235/145 A, 145 R; 341/22,
341/23; 345/104, 156, 168, 169, 173, 87,
345/901–905; 361/680–686; 400/486, 489;
710/14; 455/566

See application file for complete search history.

(56) **References Cited**

U.S. PATENT DOCUMENTS

D335,870 S	5/1993	Yun	
D336,465 S	6/1993	Kim	
D338,457 S	8/1993	Kim	
D348,442 S	7/1994	Yoon	
6,073,187 A *	6/2000	Jacobs et al.	710/14
D466,498 S *	12/2002	Wang	D14/318
D476,326 S *	6/2003	Tanimura	D14/318
6,657,854 B2 *	12/2003	Horii et al.	361/683
6,744,623 B2 *	6/2004	Numano et al.	361/681
D492,678 S	7/2004	Kim et al.	
D511,515 S *	11/2005	Huang et al.	D14/327
7,035,665 B2 *	4/2006	Kido et al.	455/566
D523,010 S	6/2006	Paek et al.	
D523,431 S	6/2006	Yoon	
D523,851 S	6/2006	Jeong et al.	
D523,852 S	6/2006	Kim et al.	
D524,306 S	7/2006	Yun et al.	

D524,307 S	7/2006	Kim et al.
D535,652 S	1/2007	Lee et al.
D547,309 S	7/2007	Yoon
D547,310 S	7/2007	Yoon
D556,192 S	11/2007	Jeong et al.

OTHER PUBLICATIONS

- U.S. Appl. No. 29/269,011, Applicant: Sang-Won Yoon, filed Nov. 17, 2006 entitled Notebook Computer.
- U.S. Appl. No. 29/272,052, Applicant: Sang-Won Yoon, filed Jan. 31, 2007 entitled Notebook Computer.
- U.S. Appl. No. 29/272,054, Applicant: Sang-Won Yoon, filed Jan. 31, 2007 entitled Notebook Computer.
- U.S. Appl. No. 29/301,708, Applicant: Se-O Lee, et al., filed Mar. 13, 2008 entitled Notebook Computer.
- U.S. Appl. No. 29/301,709, Applicant: Atsushi Kawase, et al., filed Mar. 13, 2008 entitled Notebook Computer.
- U.S. Appl. No. 29/292,086, Applicant: Sang-Won Yoon, filed Sep. 27, 2007 entitled Notebook Computer.

* cited by examiner

Primary Examiner—Freda S Nunn

(74) *Attorney, Agent, or Firm*—Flynn, Thiel, Boutell & Tanis, P.C.

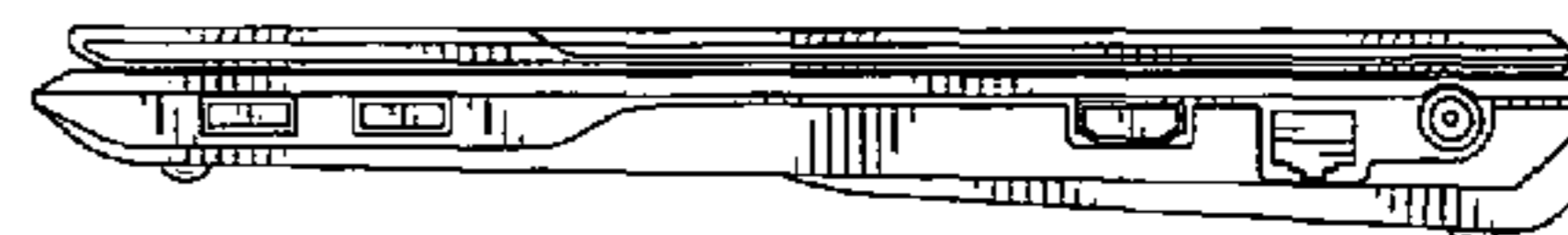
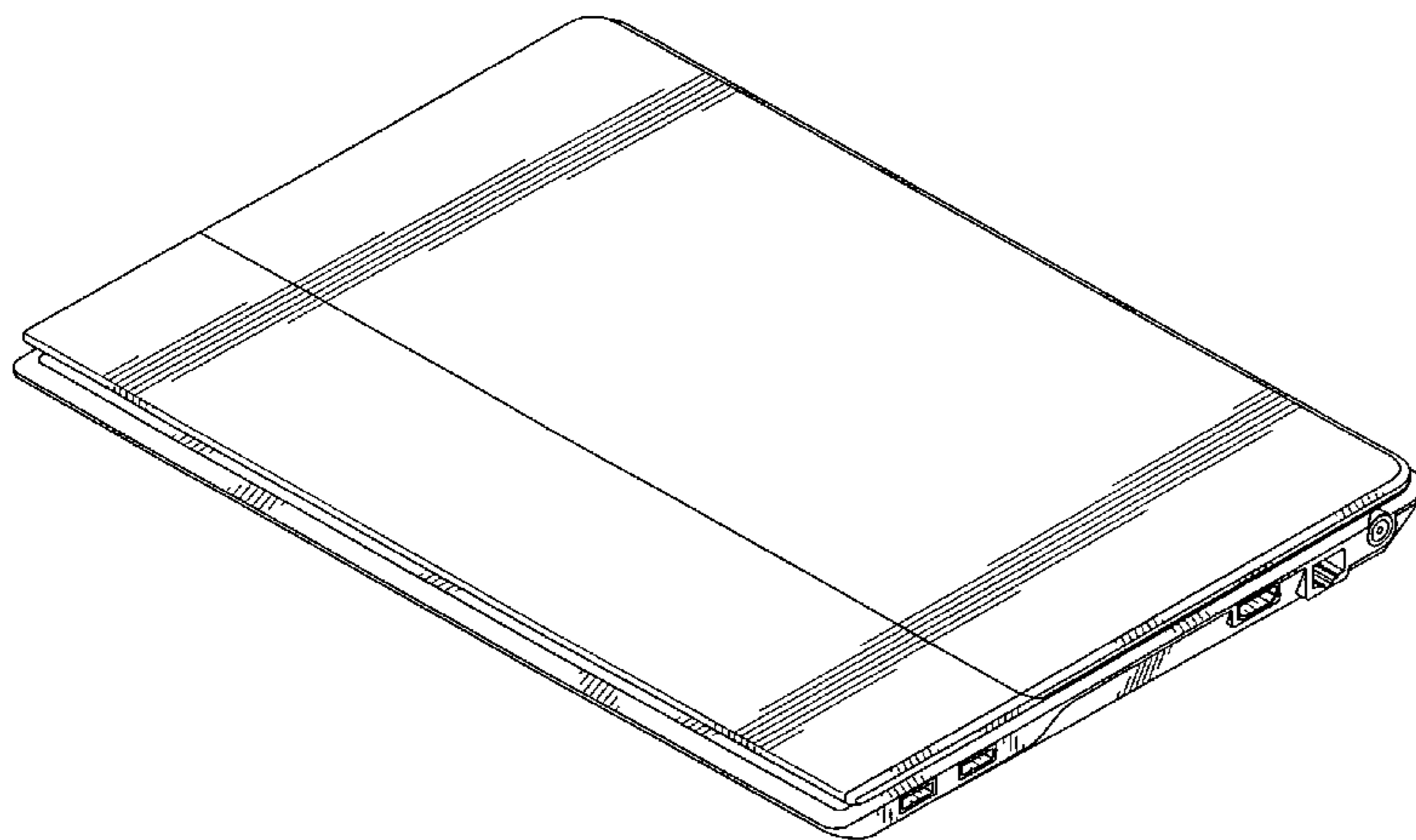
(57) **CLAIM**

The ornamental design for a notebook computer, as shown and described.

DESCRIPTION

- FIG. 1 is a top front perspective view of a notebook computer showing our new design;
- FIG. 2 is a front elevational view thereof;
- FIG. 3 is a rear elevational view thereof;
- FIG. 4 is a left side elevational view thereof;
- FIG. 5 is a right side elevational view thereof;
- FIG. 6 is a top plan view thereof; and,
- FIG. 7 is a bottom plan view thereof.

1 Claim, 4 Drawing Sheets



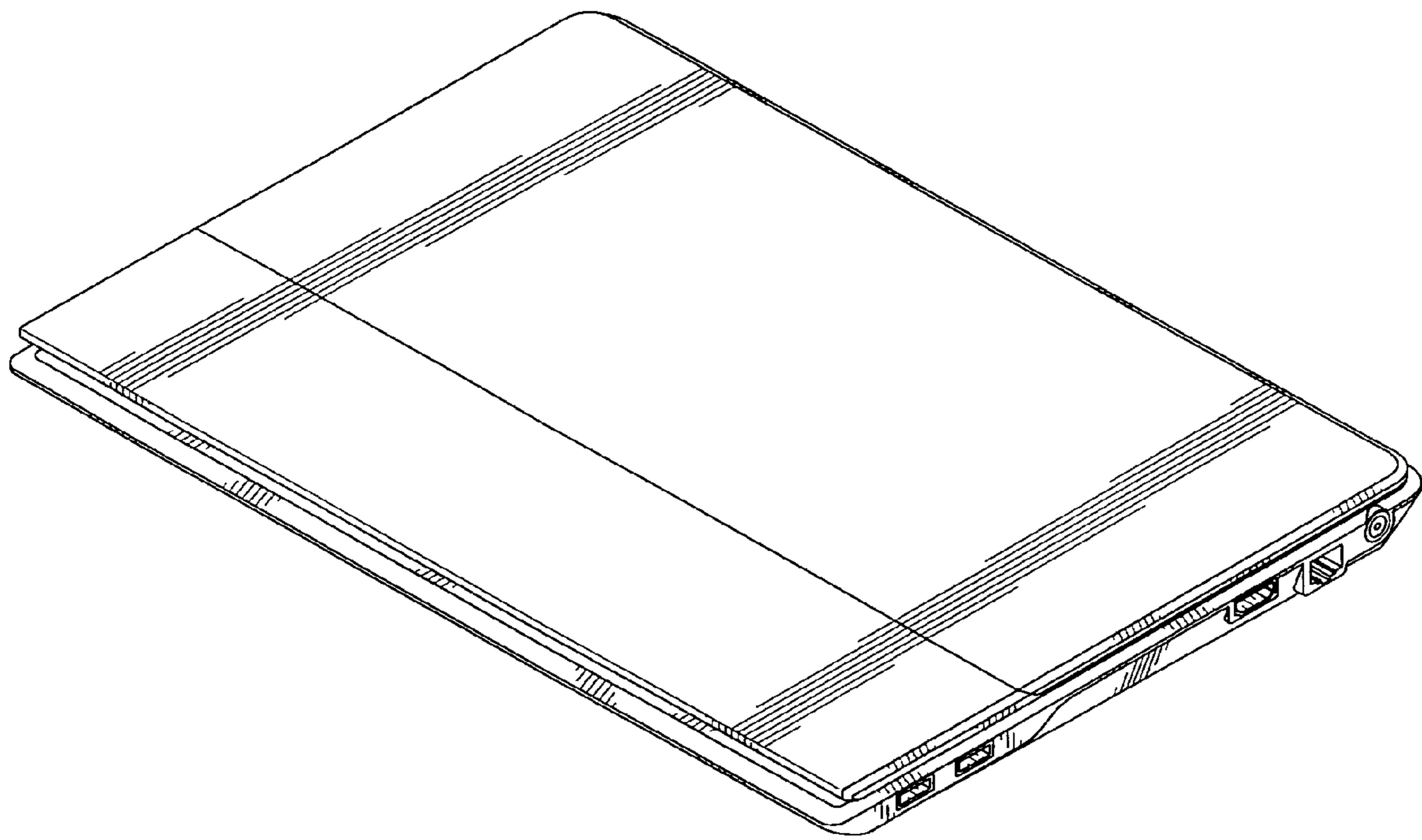


FIG. 1

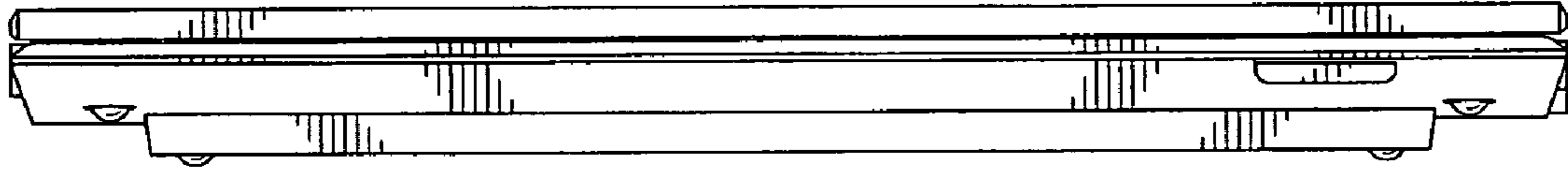


FIG. 2

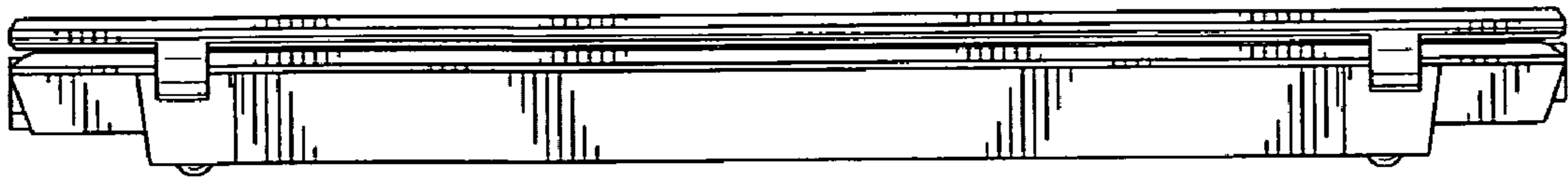


FIG. 3

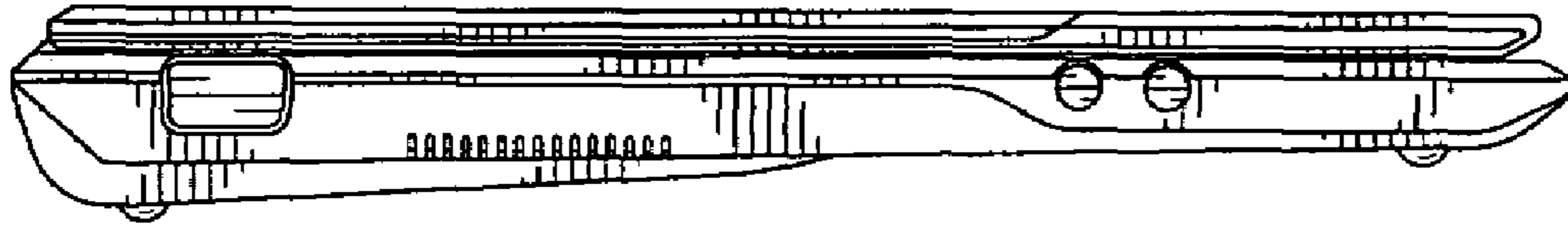


FIG. 4

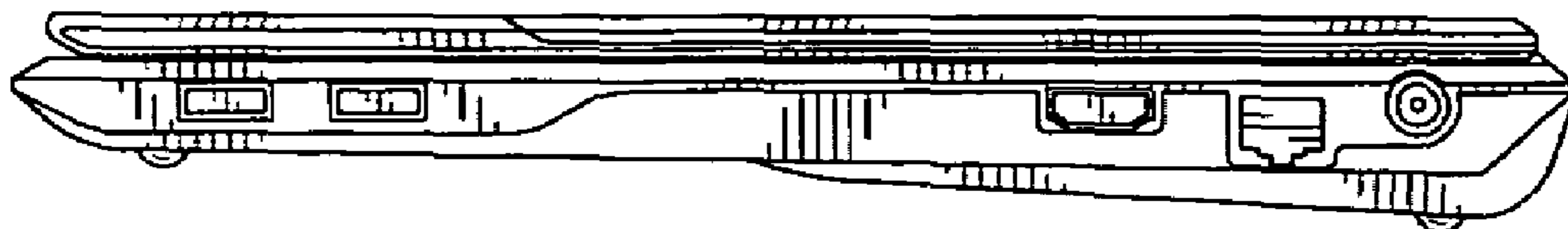


FIG. 5

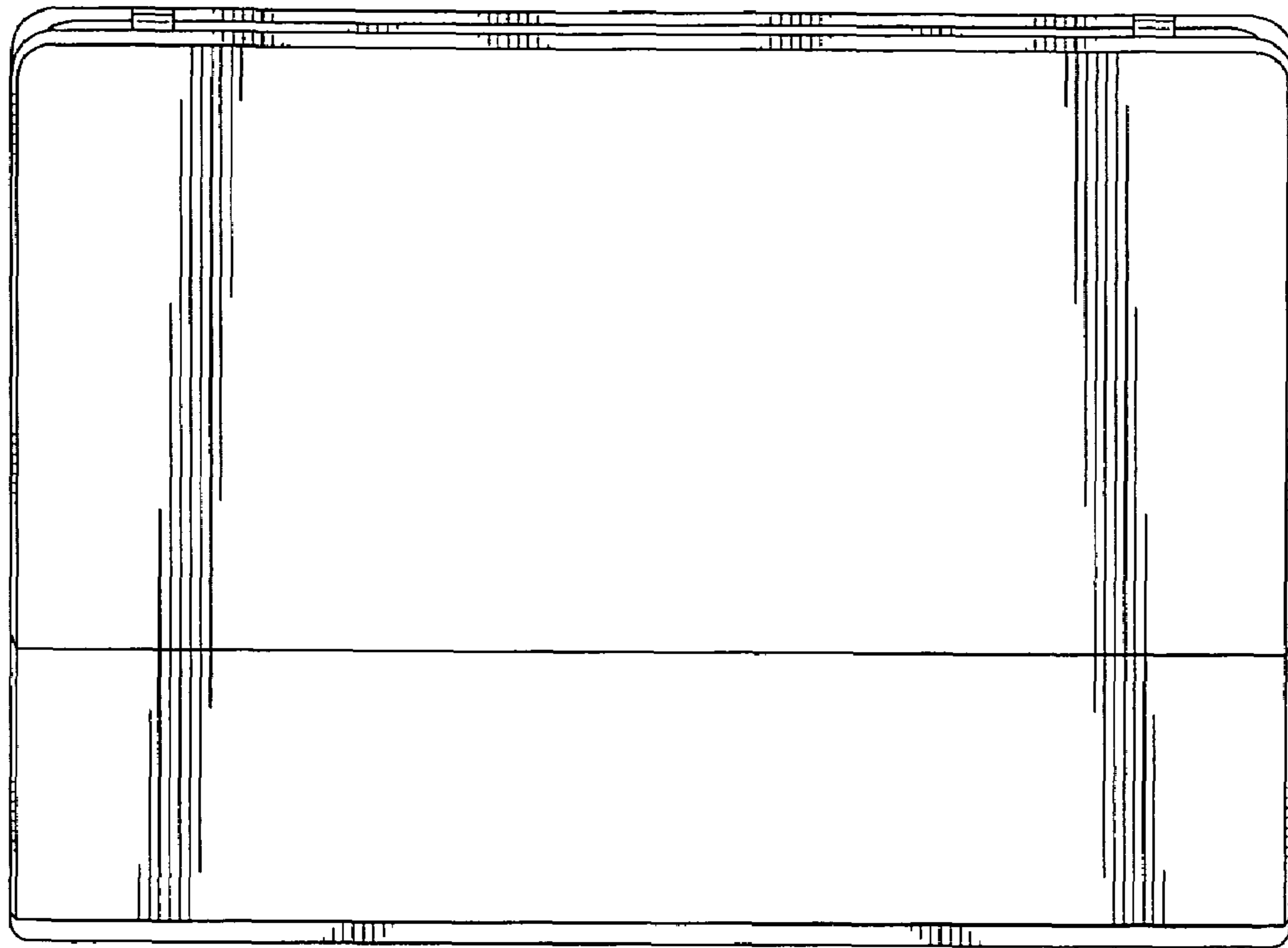


FIG. 6

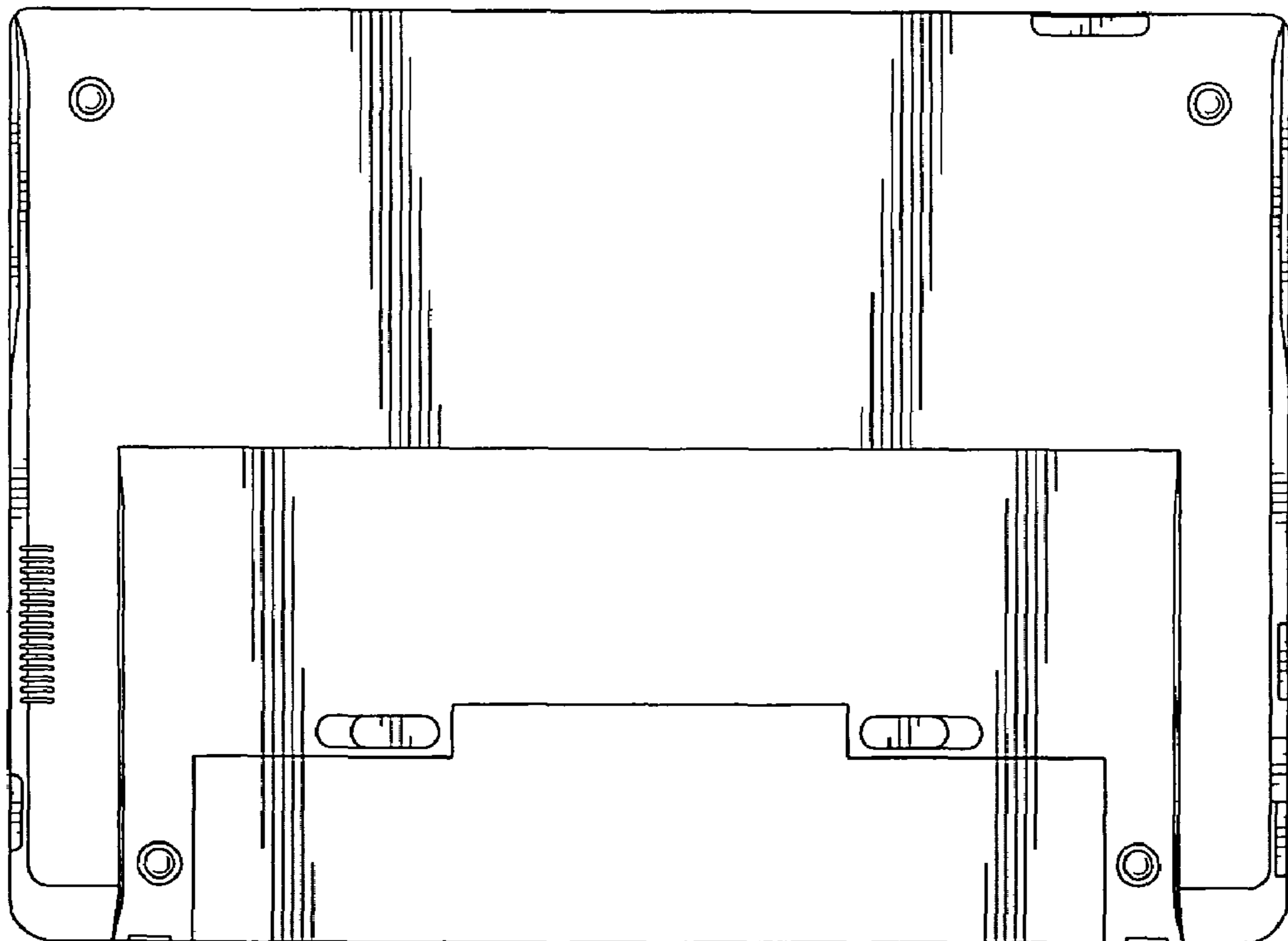


FIG. 7