



US00D586794S

(12) **United States Design Patent**  
**Okkonen**

(10) **Patent No.:** **US D586,794 S**  
(45) **Date of Patent:** **\*\* Feb. 17, 2009**

(54) **SET OF KEYS FOR A HANDSET**

WO DM/070035 \* 3/2008

(75) Inventor: **Pinja Katariina Okkonen**, Helsinki (FI)

**OTHER PUBLICATIONS**

(73) Assignee: **Nokia Corporation**, Espoo (FI)

Nokia E65, announced Feb. 2007, [online], [retrieved on Feb. 16, 2007]. Retrieved from Internet ,<URL: http://www.gsmarena.com>.\*

(\*\*) Term: **14 Years**

BenQ C30, announced Sep. 2007, [online], [retrieved on Oct. 6, 2008]. Retrieved from Internet ,<URL: http://www.gsmarena.com>.\*

(21) Appl. No.: **29/305,271**

Nokia E66, announced Jun. 2008, [online], [retrieved on Jun. 27, 2008]. Retrieved from Internet ,<URL: http://www.gsmarena.com>.\*

(22) Filed: **Mar. 17, 2008**

Nokia Model # E65, Nokia Corporation, 2 color sheets of photographs, disclosed on or about Feb. 2007.

(30) **Foreign Application Priority Data**

Sep. 17, 2007 (EM) ..... 0007905589

*Primary Examiner*—Jeffrey D Asch

*Assistant Examiner*—Bridget L Eland

(51) **LOC (9) Cl.** ..... **14-03**

(74) *Attorney, Agent, or Firm*—Banner & Witcoff, Ltd.

(52) **U.S. Cl.** ..... **D14/247**

(58) **Field of Classification Search** ..... D14/137,  
D14/138 R, 138 AA, 138 AB, 138 AC, 138 AD,  
D14/138 C, 138 G, 147, 191, 218, 247–248,  
D14/341–347, 455, 496; D10/65, 78, 104;  
D13/168; D18/7; 455/556.1, 566, 575.1,  
455/575.3; 345/169

(57) **CLAIM**

See application file for complete search history.

The ornamental design for a set of keys for a handset, as shown and described.

(56) **References Cited**

**DESCRIPTION**

**U.S. PATENT DOCUMENTS**

D482,682 S \* 11/2003 Lehtonen ..... D14/247  
D488,789 S \* 4/2004 Lee ..... D14/138 AA  
D489,060 S \* 4/2004 Liao et al. .... D14/247

FIG. 1 is a perspective front view of a set of keys for a handset showing my new design;

FIG. 2 is a front view thereof;

FIG. 3 is a right side view thereof;

FIG. 4 is a left side view thereof;

FIG. 5 is a top view thereof; and,

FIG. 6 is a bottom view thereof.

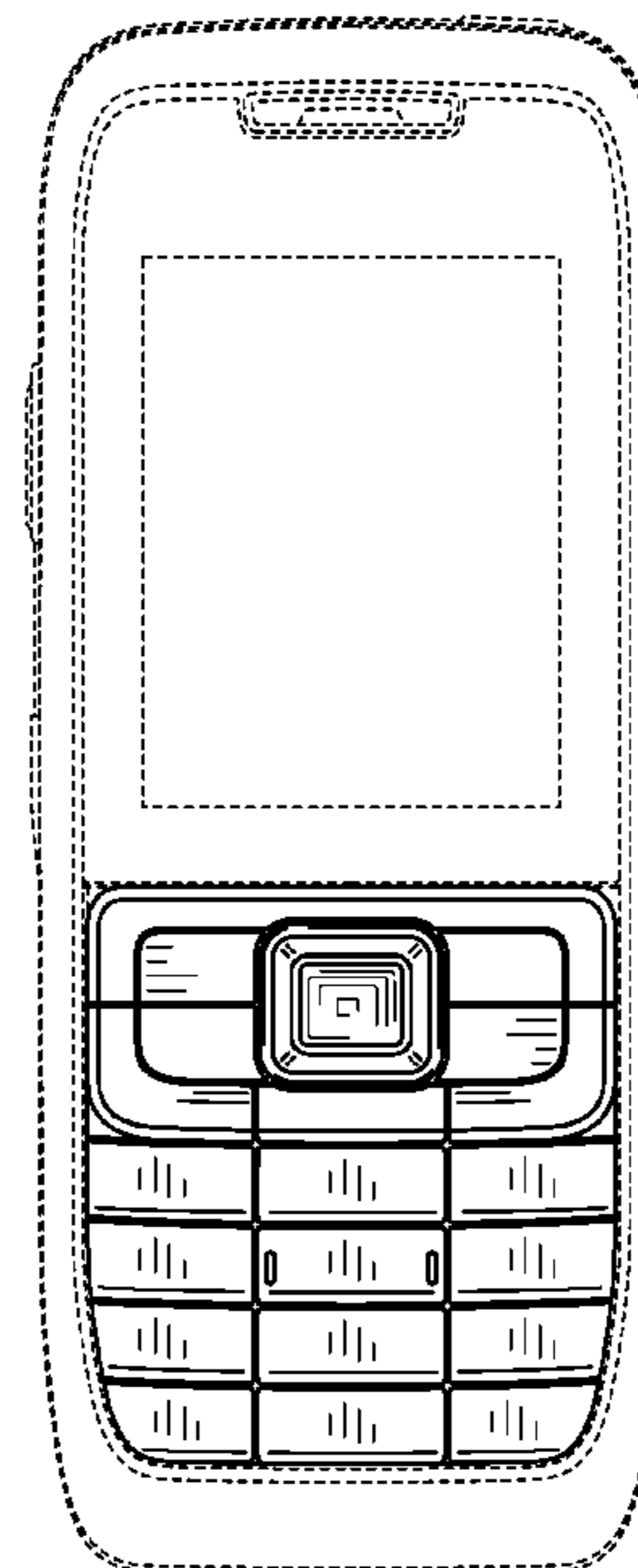
(Continued)

**FOREIGN PATENT DOCUMENTS**

WO DM/069146 \* 7/2007  
WO DM/069161 \* 7/2007

The broken line showing the remainder of the handset is for illustrative purposes only and forms no part of the claimed design.

**1 Claim, 3 Drawing Sheets**



# US D586,794 S

Page 2

## U.S. PATENT DOCUMENTS

D493,451 S *	7/2004	Wada	.....	D14/247	D544,474 S *	6/2007	Kim et al.	.....	D14/247
D496,921 S *	10/2004	Hwang	.....	D14/138 AA	D550,220 S *	9/2007	Lyles	.....	D14/247
D515,059 S *	2/2006	Wu	.....	D14/138 AA	D550,661 S *	9/2007	Fahlgren	.....	D14/247
D523,834 S *	6/2006	Liao	.....	D14/138 AA	D562,282 S *	2/2008	Suk et al.	.....	D14/138 AA
D524,277 S *	7/2006	Surtouc	.....	D14/138 AA	D563,936 S *	3/2008	Kim et al.	.....	D14/138 AD
D524,779 S *	7/2006	Lyles	.....	D14/138 AA	D569,858 S *	5/2008	He	.....	D14/247
D525,229 S *	7/2006	Friesen et al.	.....	D14/138 AA	D569,860 S *	5/2008	Pegon et al.	.....	D14/247
D525,609 S *	7/2006	Kim et al.	.....	D14/138 AB	D574,817 S *	8/2008	Eroma et al.	.....	D14/247
D532,002 S *	11/2006	Johansson	.....	D14/247	D576,590 S *	9/2008	Benoit	.....	D14/138 AD
D532,767 S *	11/2006	Yoshino et al.	.....	D14/138 AA	D578,101 S *	10/2008	Park et al.	.....	D14/138 AA
D543,186 S *	5/2007	Kim et al.	.....	D14/138 AA	2006/0205447 A1 *	9/2006	Park et al.	.....	455/575.1
					2008/0161059 A1 *	7/2008	Kraft et al.	.....	455/566

\* cited by examiner



FIG. 1

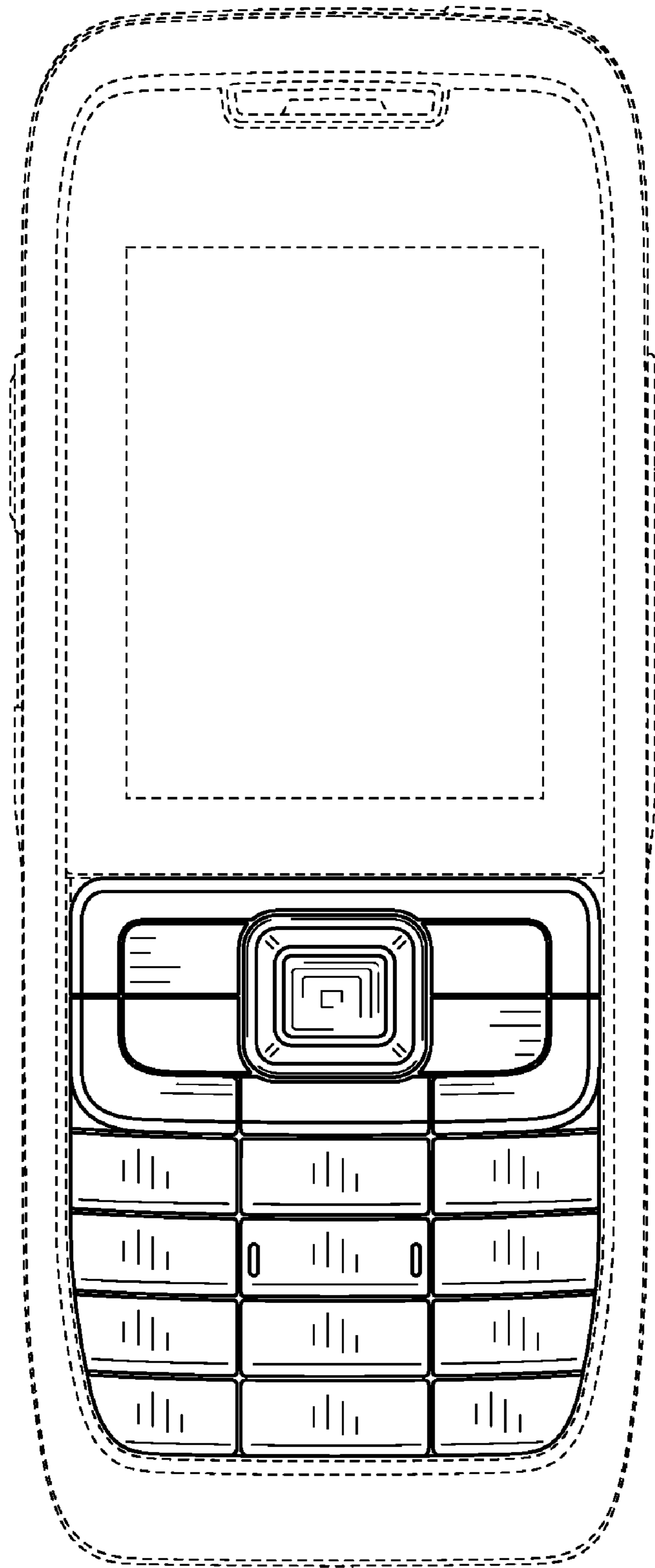


FIG. 2

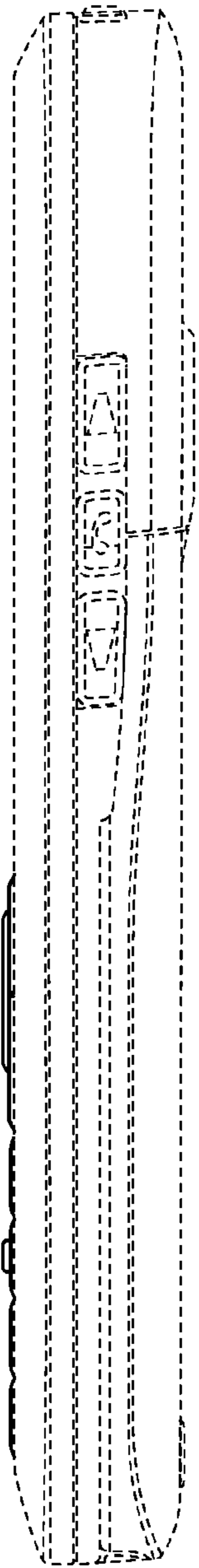


FIG. 3

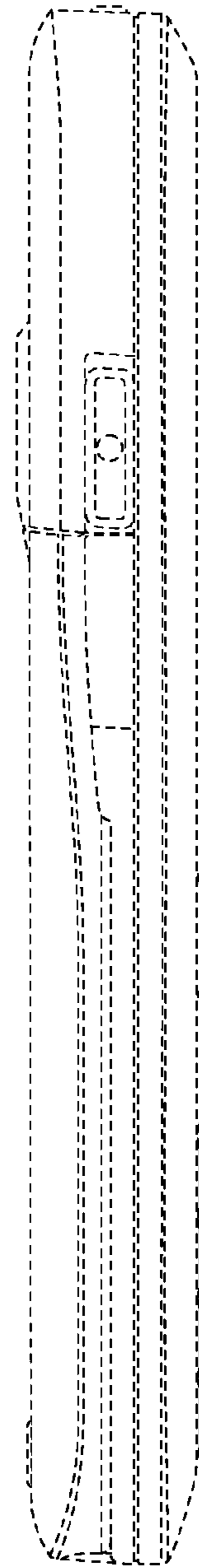


FIG. 4

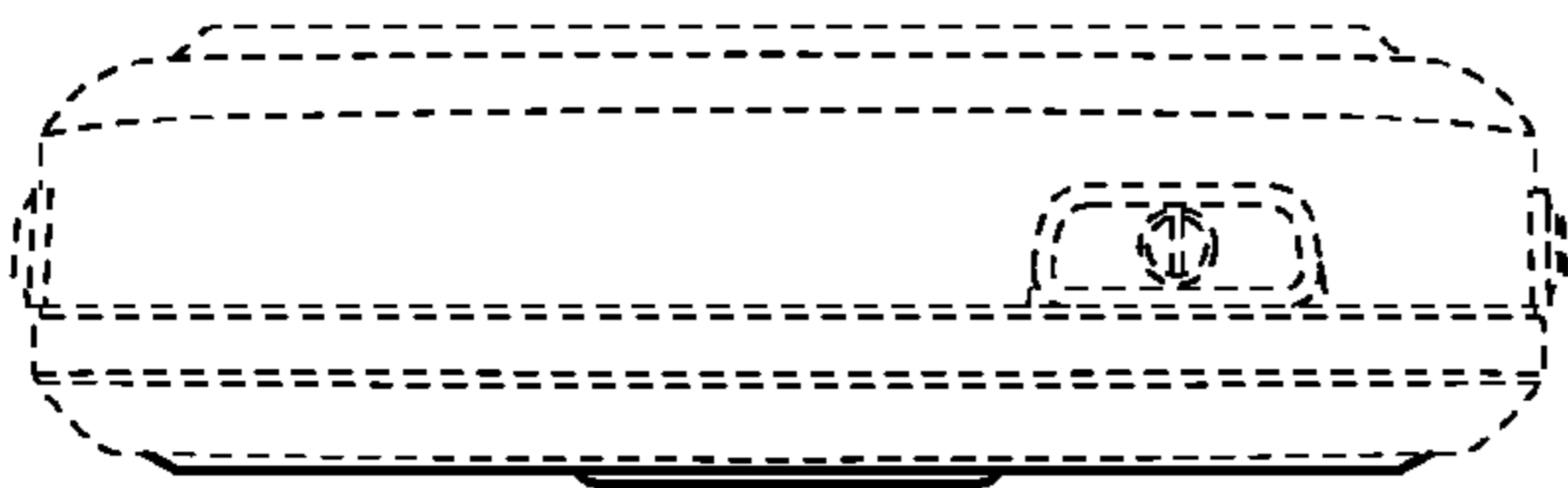


FIG. 5

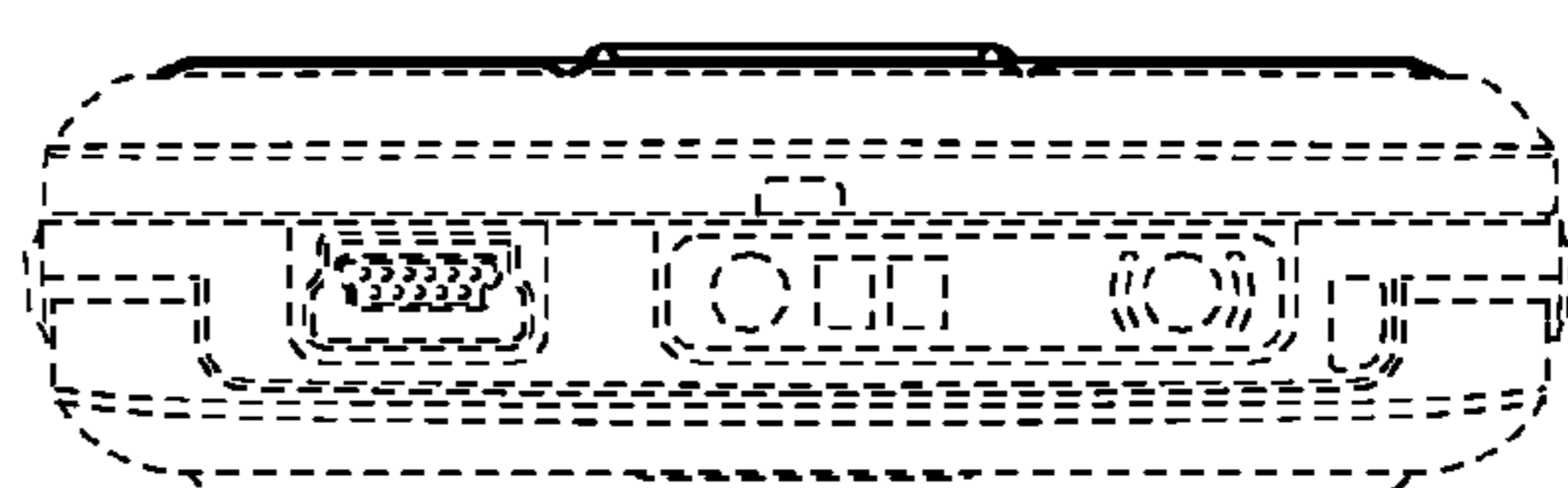


FIG. 6