



US00D586793S

(12) **United States Design Patent**  
**Lee et al.**

(10) **Patent No.:** **US D586,793 S**  
(45) **Date of Patent:** **\*\* Feb. 17, 2009**

(54) **CELLULAR PHONE ACCESSARY**  
(75) Inventors: **Si-Youn Lee**, Seoul (KR); **Hyun-Seop Kim**, Seoul (KR); **Chang-Hwan Hwang**, Seoul (KR)

(73) Assignee: **Samsung Electronics Co., Ltd.**,  
Kyunggi-do (KR)

(\*\*) Term: **14 Years**

(21) Appl. No.: **29/269,069**

(22) Filed: **Nov. 20, 2006**

(51) **LOC (9) Cl.** ..... **14-02**

(52) **U.S. Cl.** ..... **D14/240**

(58) **Field of Classification Search** ..... D14/356,  
D14/358, 233, 240, 242, 300, 348, 388, 433,  
D14/155; D13/184, 199, 110, 137.2, 107,  
D13/108, 144; 360/69; 379/220.1, 220.14,  
379/25, 93.09, 93.15, 156, 900, 338, 329;  
381/124; 607/36; 307/10.1; 439/668

See application file for complete search history.

(56) **References Cited**

**U.S. PATENT DOCUMENTS**

D346,805 S \* 5/1994 Kim ..... D14/240  
D355,895 S \* 2/1995 Soren et al. .... D14/240  
D453,154 S \* 1/2002 .ANG.stradsson ..... D14/240  
D470,848 S \* 2/2003 Morooka ..... D14/433  
D475,996 S \* 6/2003 Skulley ..... D14/240

D478,070 S \* 8/2003 Nagai et al. .... D14/240  
D480,389 S \* 10/2003 Schulz et al. .... D14/240  
D486,829 S \* 2/2004 Wang et al. .... D14/433  
D496,653 S \* 9/2004 Townsend et al. .... D14/240  
D511,770 S \* 11/2005 Chung ..... D14/240  
D519,512 S \* 4/2006 Nishio et al. .... D14/433  
D530,314 S \* 10/2006 Hsu ..... D14/240  
D541,791 S \* 5/2007 Shen ..... D14/240  
D543,513 S \* 5/2007 Allen et al. .... D13/184

\* cited by examiner

*Primary Examiner*—Charles A Rademaker

(74) *Attorney, Agent, or Firm*—Flynn, Thiel, Boutell & Tanis,  
P.C.

(57) **CLAIM**

The ornamental design for a cellular phone accessory, as shown and described.

**DESCRIPTION**

FIG. 1 is a top front perspective view of a cellular phone accessory showing our new design;

FIG. 2 is a front elevational view thereof, the rear elevation being a mirror image;

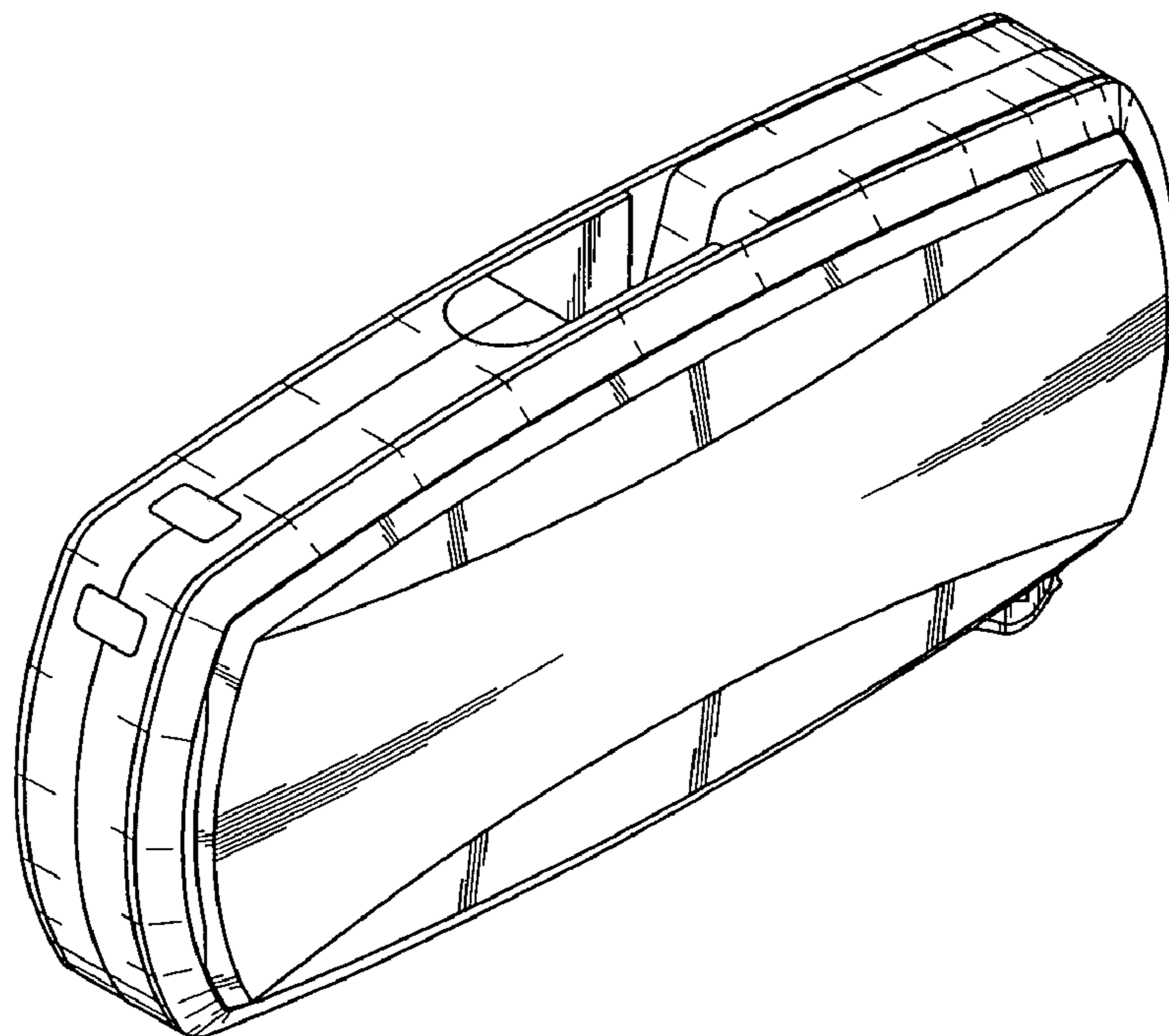
FIG. 3 is a left side elevational view thereof;

FIG. 4 is a right side elevational view thereof;

FIG. 5 is a top plan view thereof; and,

FIG. 6 is a bottom plan view.

**1 Claim, 4 Drawing Sheets**



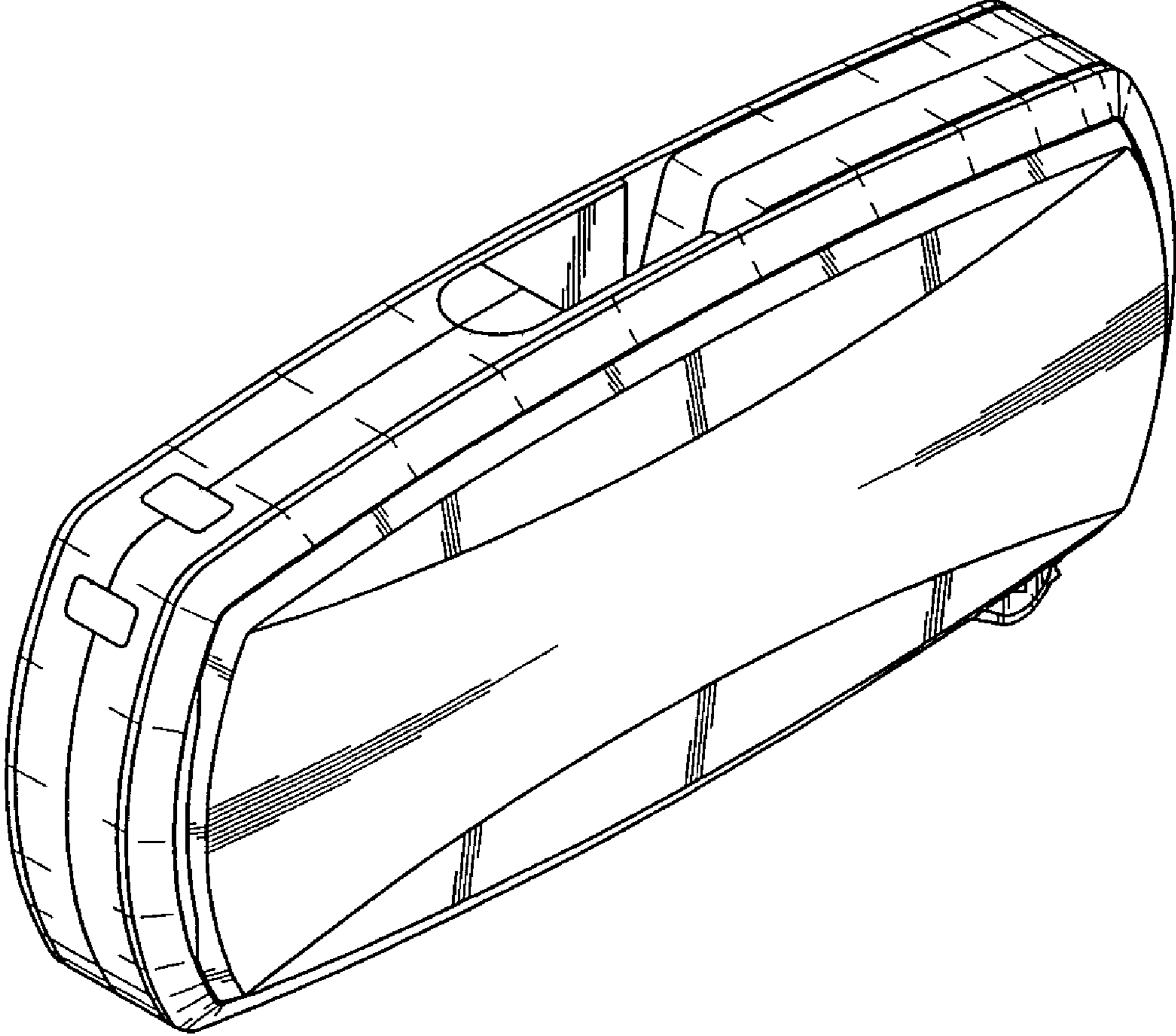


FIG. 1

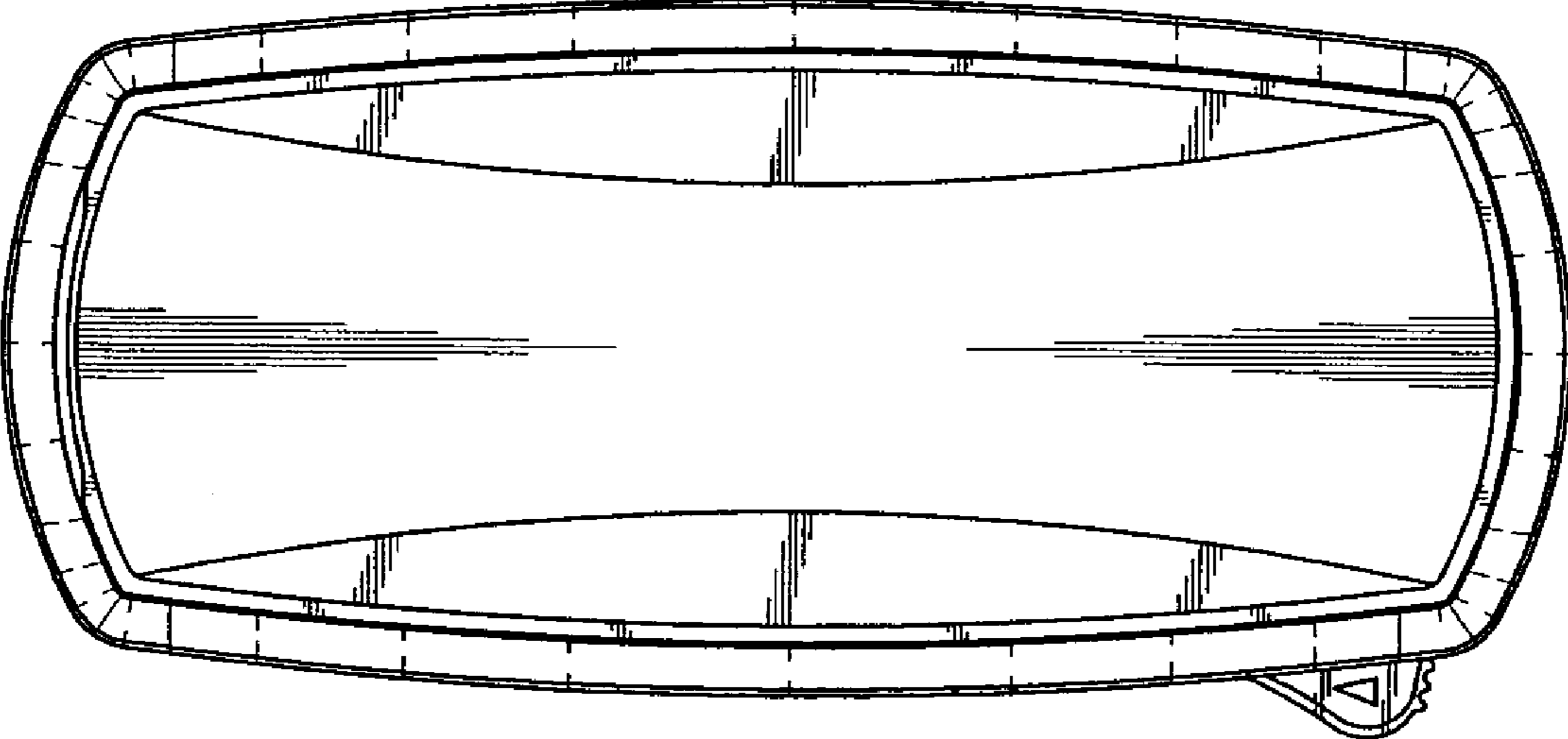


FIG. 2

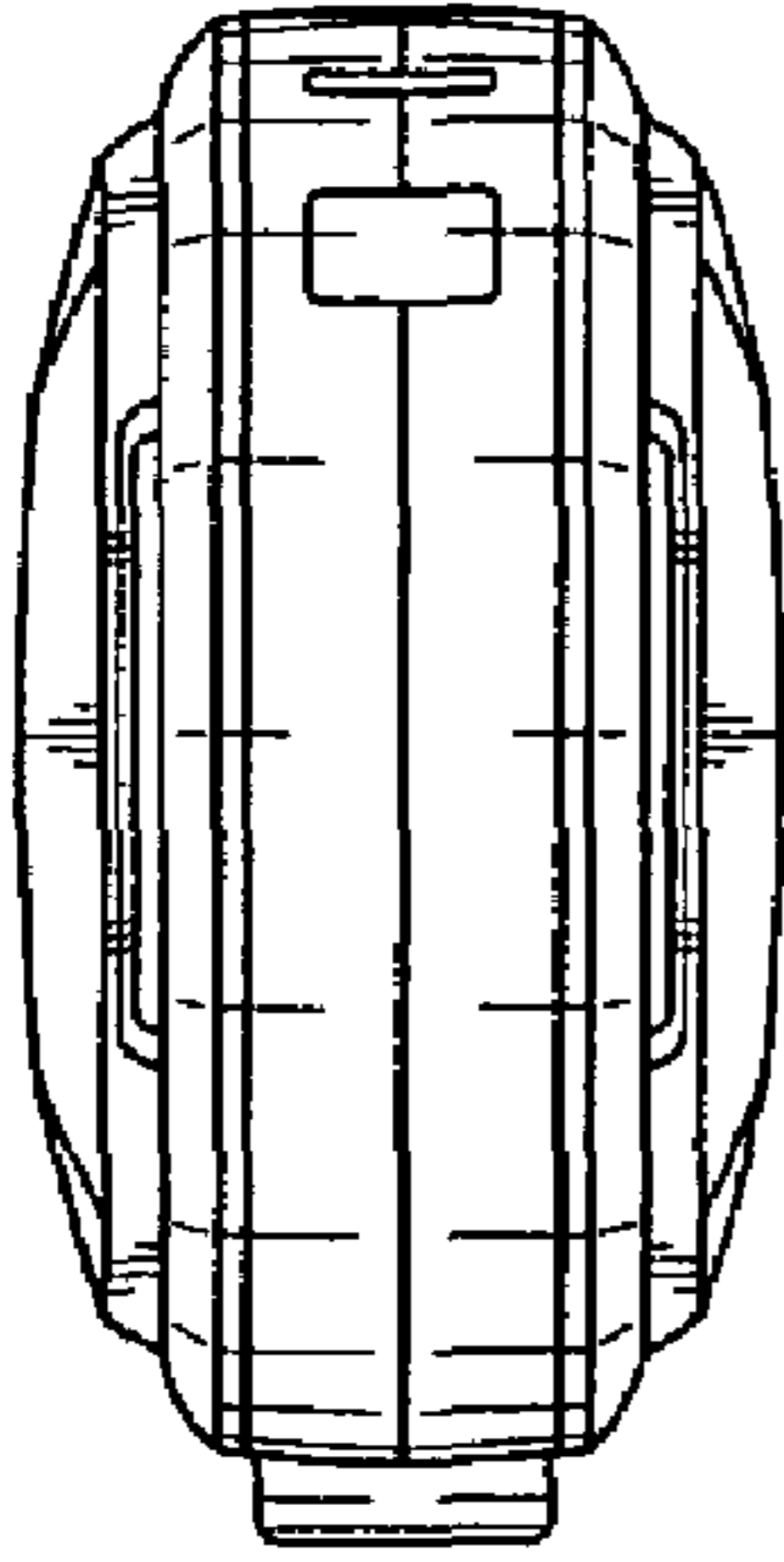


FIG. 3

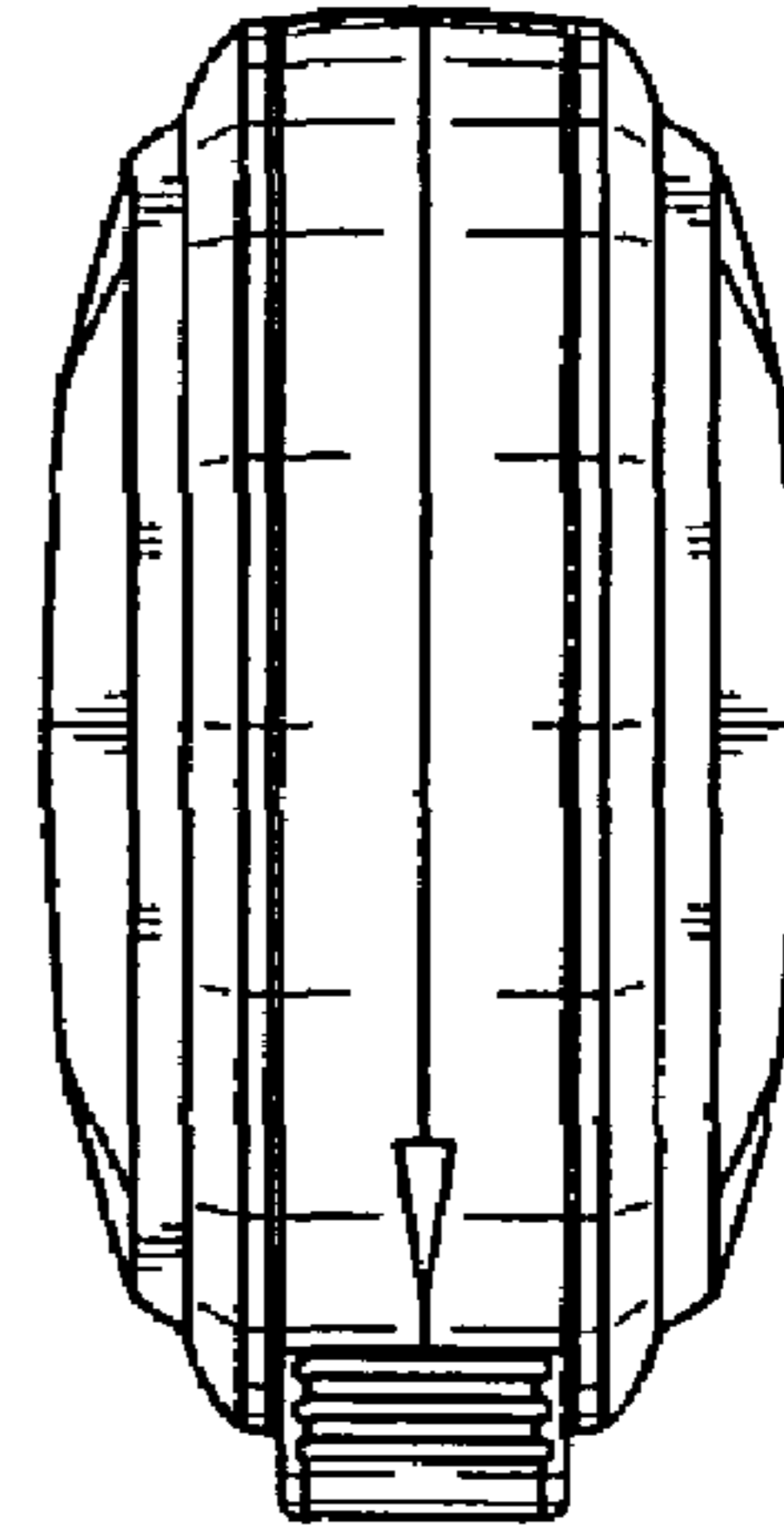


FIG. 4

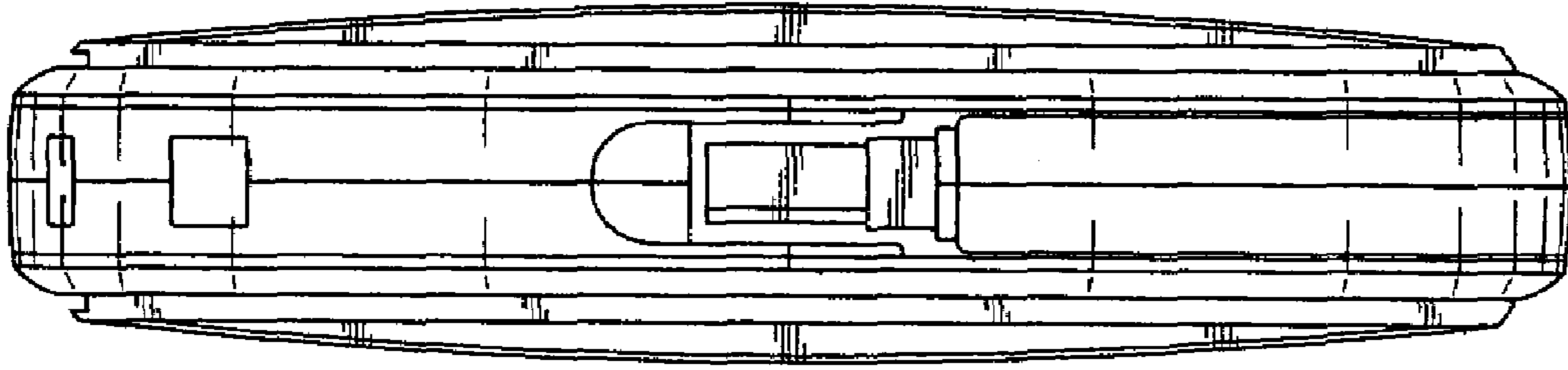


FIG. 5



FIG. 6