



US00D586792S

(12) **United States Design Patent**
Lozano

(10) **Patent No.:** **US D586,792 S**
(45) **Date of Patent:** **** Feb. 17, 2009**

(54) **MOUNTING PANEL FOR AN AUDIO-VIDEO ASSEMBLY**

2007/0040085 A1* 2/2007 Pincek et al. 248/288.31
* cited by examiner

(76) Inventor: **Anthony Lozano**, 33 S. Third St., San Jose, CA (US) 95113

Primary Examiner—Raphael Barkai
Assistant Examiner—Randall H Gholson
(74) *Attorney, Agent, or Firm*—Jones, Tullar & Cooper, P.C.

(**) Term: **14 Years**

(57) **CLAIM**

(21) Appl. No.: **29/288,162**

The ornamental design for a mounting panel for an audio-video assembly, as illustrated and described.

(22) Filed: **May 31, 2007**

(51) **LOC (9) Cl.** **14-03**

(52) **U.S. Cl.** **D14/239**

(58) **Field of Classification Search** D14/125–134,
D14/239, 371, 136, 374–377; 312/7.2; 348/836,
348/838, 180, 184, 325, 739; 341/12; 248/917–924,
248/465, 123.11; 345/104, 133, 156, 168,
345/87, 173, 169; 349/1, 2, 11, 62; 720/605,
720/669, 600, 655, 99, 197; 455/344–347;
369/99, 197

See application file for complete search history.

DESCRIPTION

FIG. 1 is a perspective view of my new design for a mounting panel for an audio-video assembly.

FIG. 2 is a front elevational view thereof.

FIG. 3 is a top plan view thereof.

FIG. 4 is a rear elevational view thereof.

FIG. 5 is a bottom plan view thereof.

FIG. 6 is a right side elevational view thereof identical to the left elevational view.

FIG. 7 is a cross-sectional view taken in the plane indicated by the line 7—7 in FIG. 4; and,

FIG. 8 is a cross-sectional view taken in the plane indicated by the line 8—8 in FIG. 4.

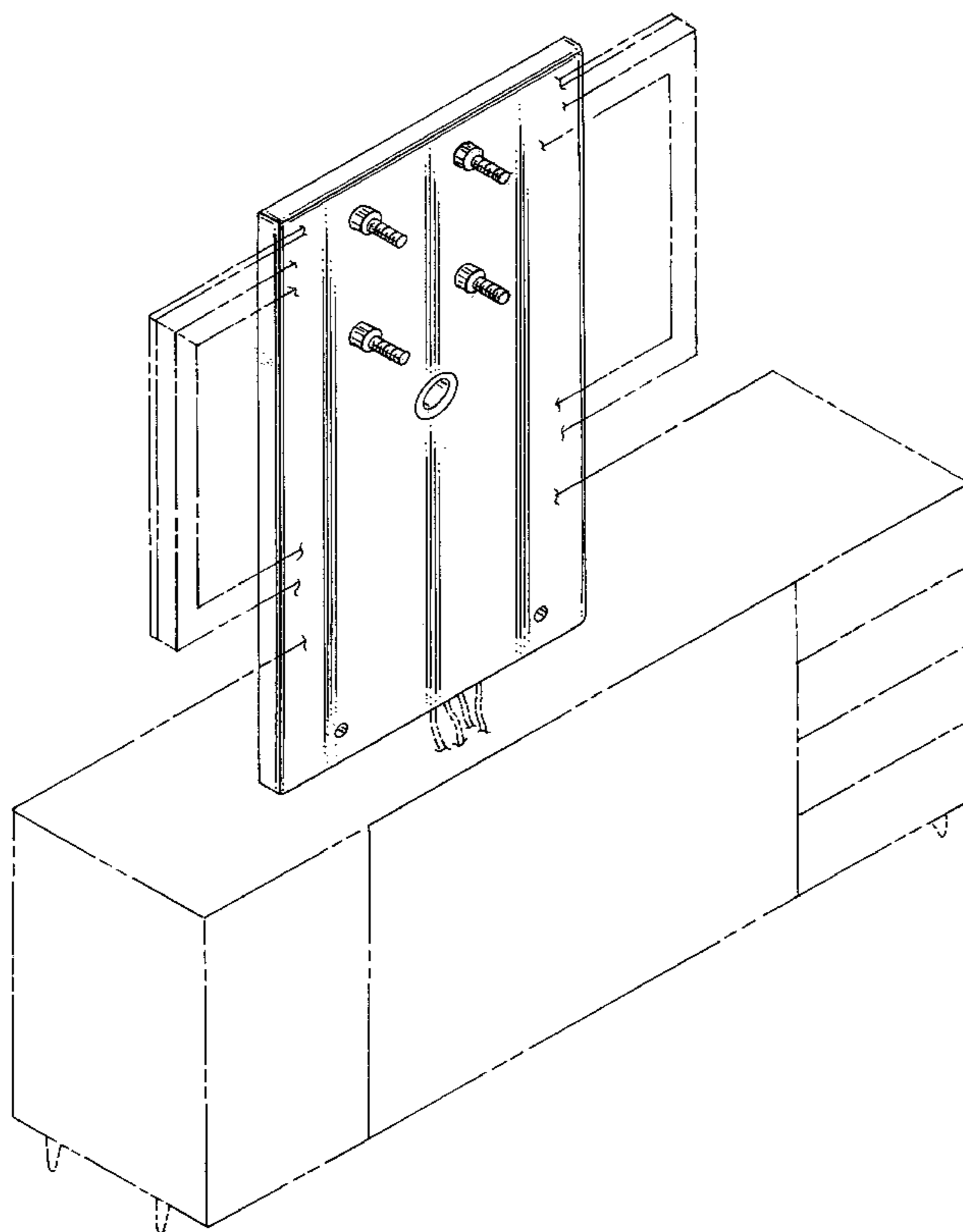
The broken line showing of a cabinet and audio-video assembly is included for the purpose of illustrating environment and forms no part of the claimed design.

(56) **References Cited**

U.S. PATENT DOCUMENTS

6,149,253	A *	11/2000	Talasani	312/7.2
6,809,295	B1 *	10/2004	Vargas	219/393
6,997,525	B2 *	2/2006	Gillengerten	312/7.2
7,175,152	B2 *	2/2007	Dittmer	248/221.11
D550,478	S *	9/2007	Glass et al.	D6/436
2003/0102781	A1 *	6/2003	White et al.	312/7.2
2006/0284031	A1 *	12/2006	Whalen et al.	248/125.8

1 Claim, 4 Drawing Sheets



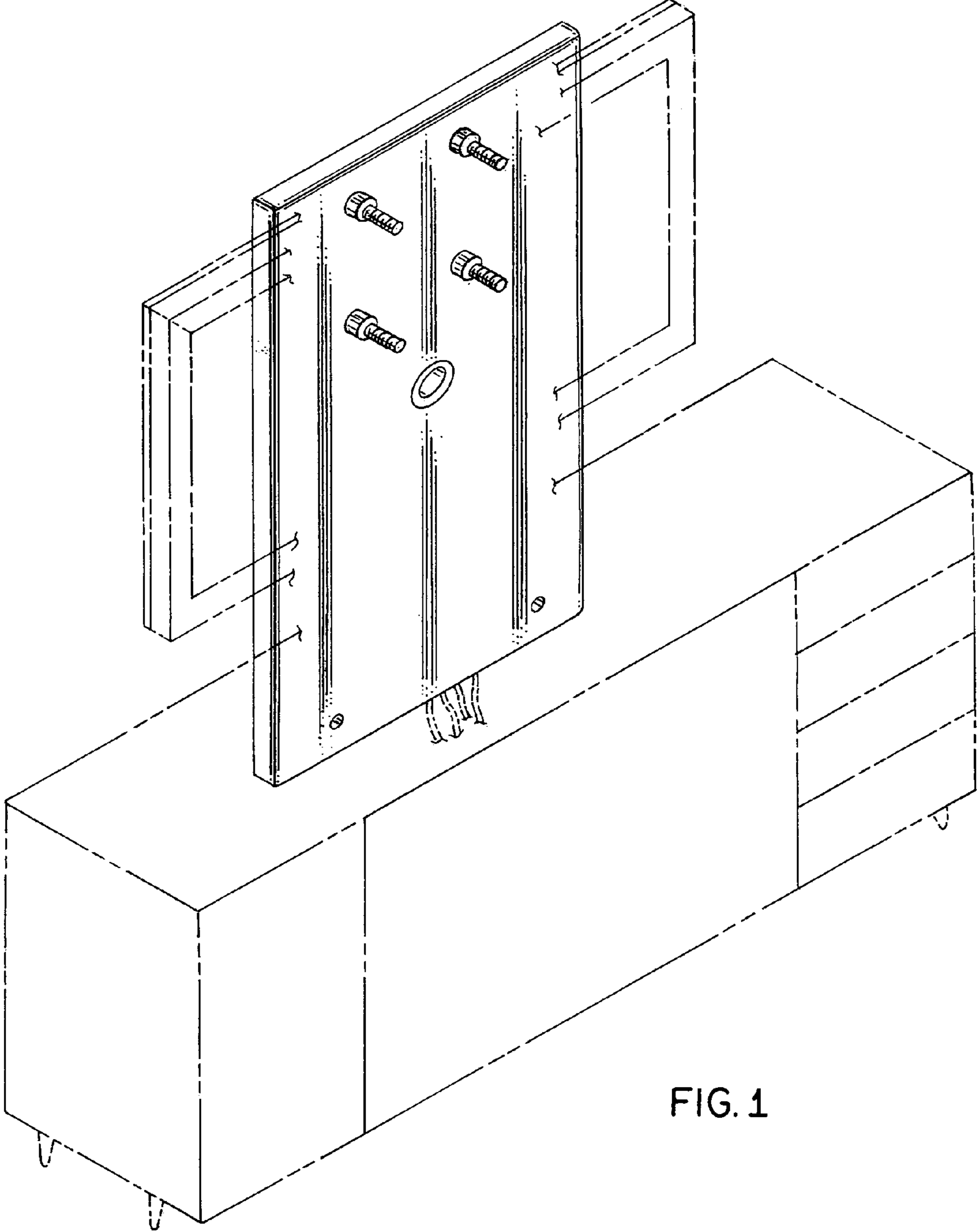


FIG. 1

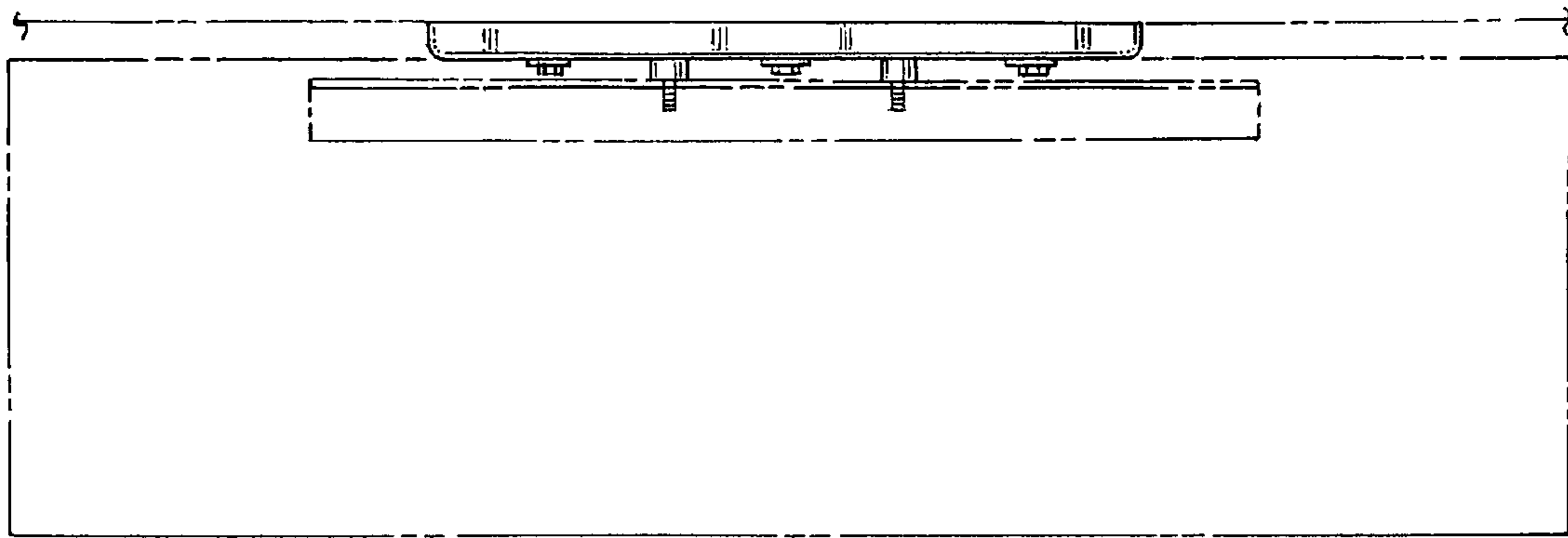


FIG. 3

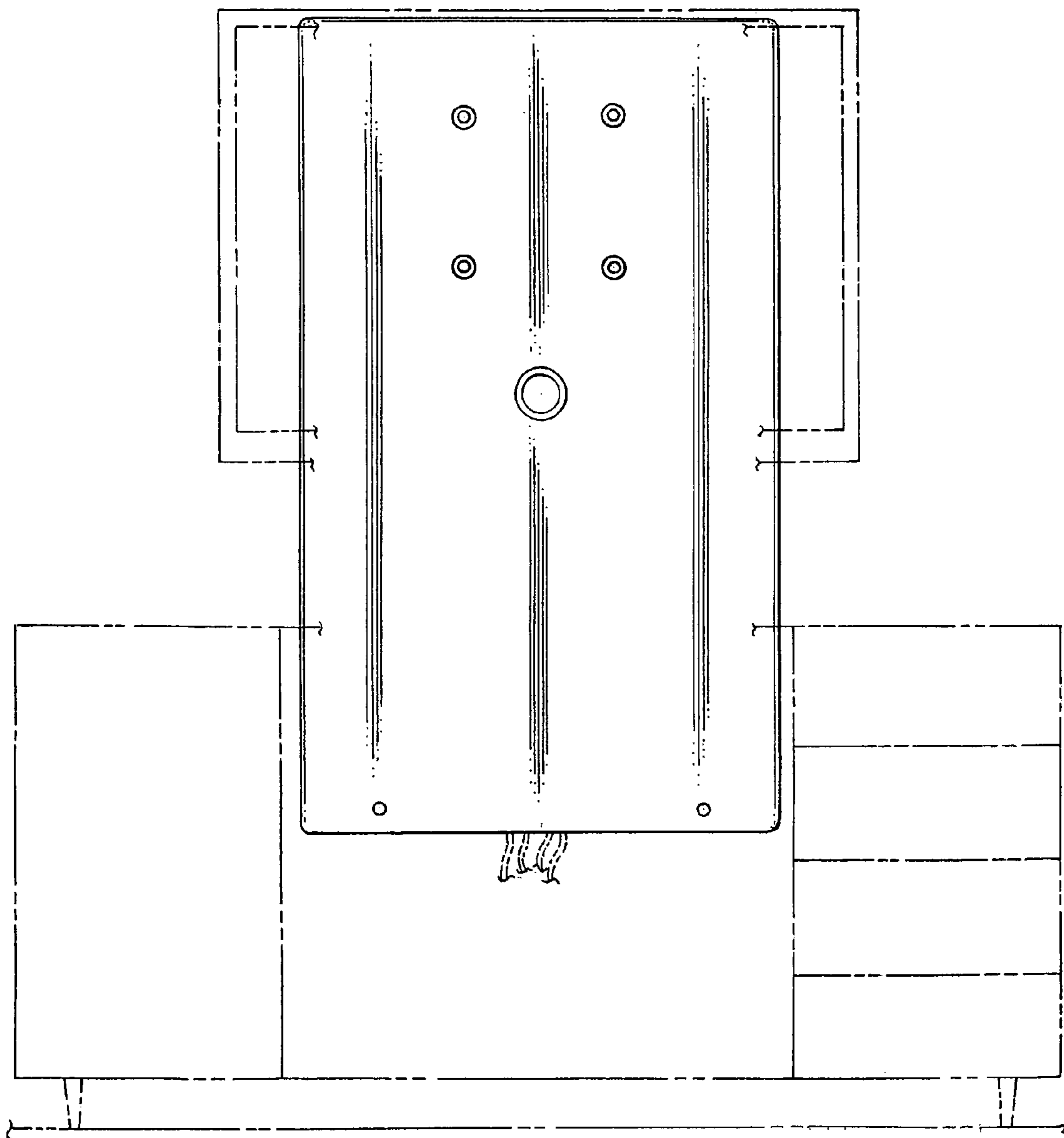


FIG. 2

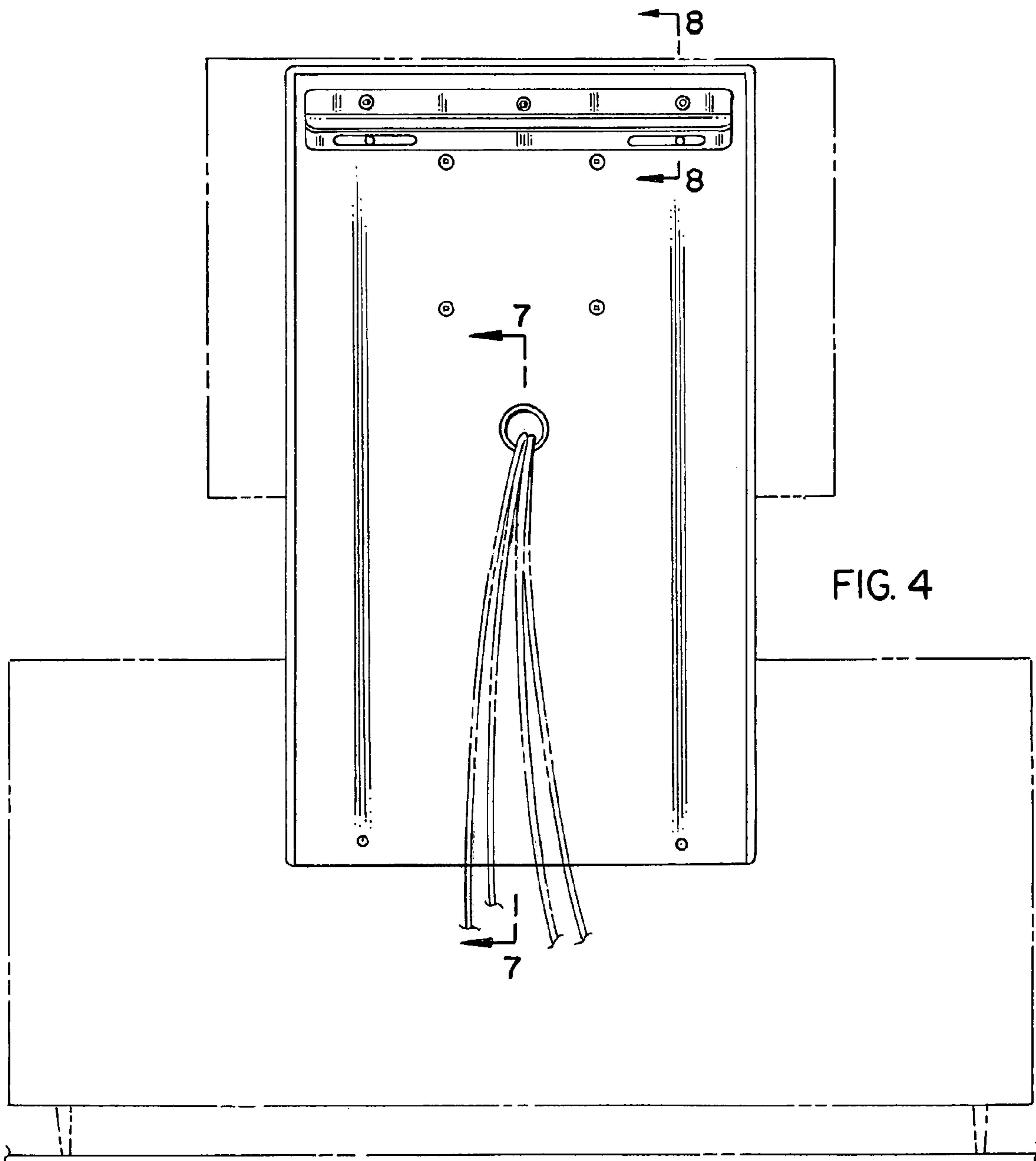


FIG. 4

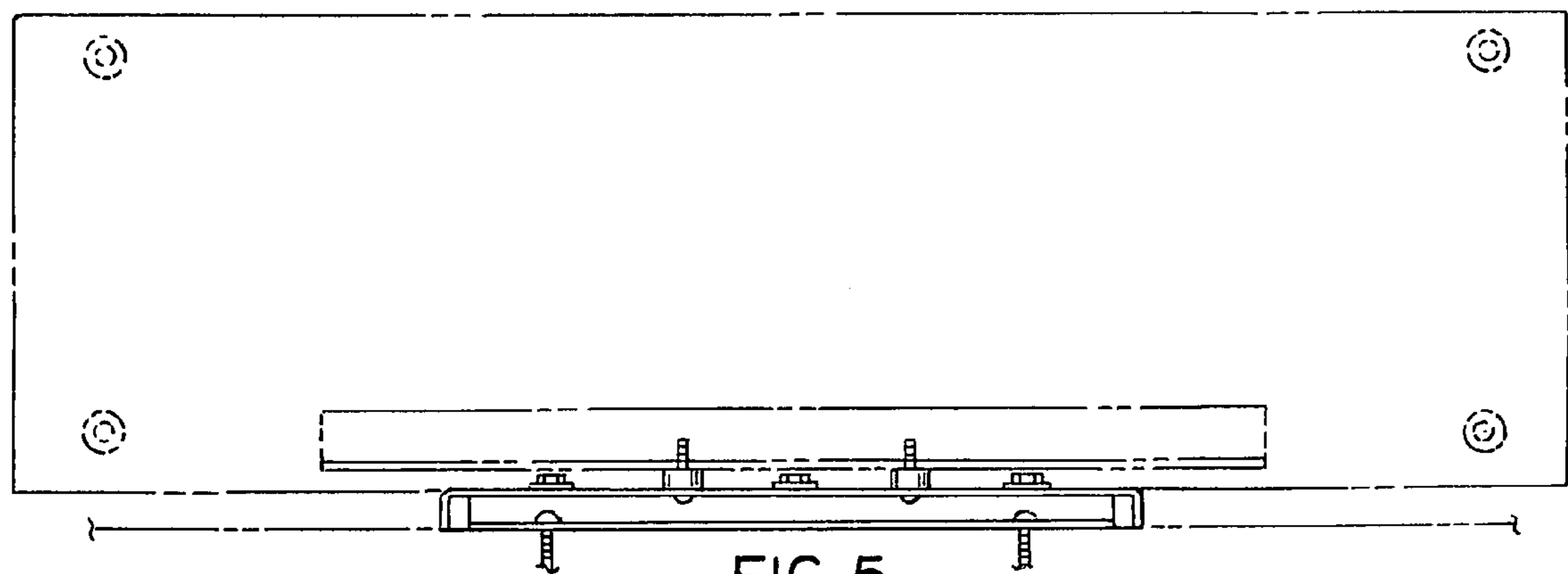


FIG. 5

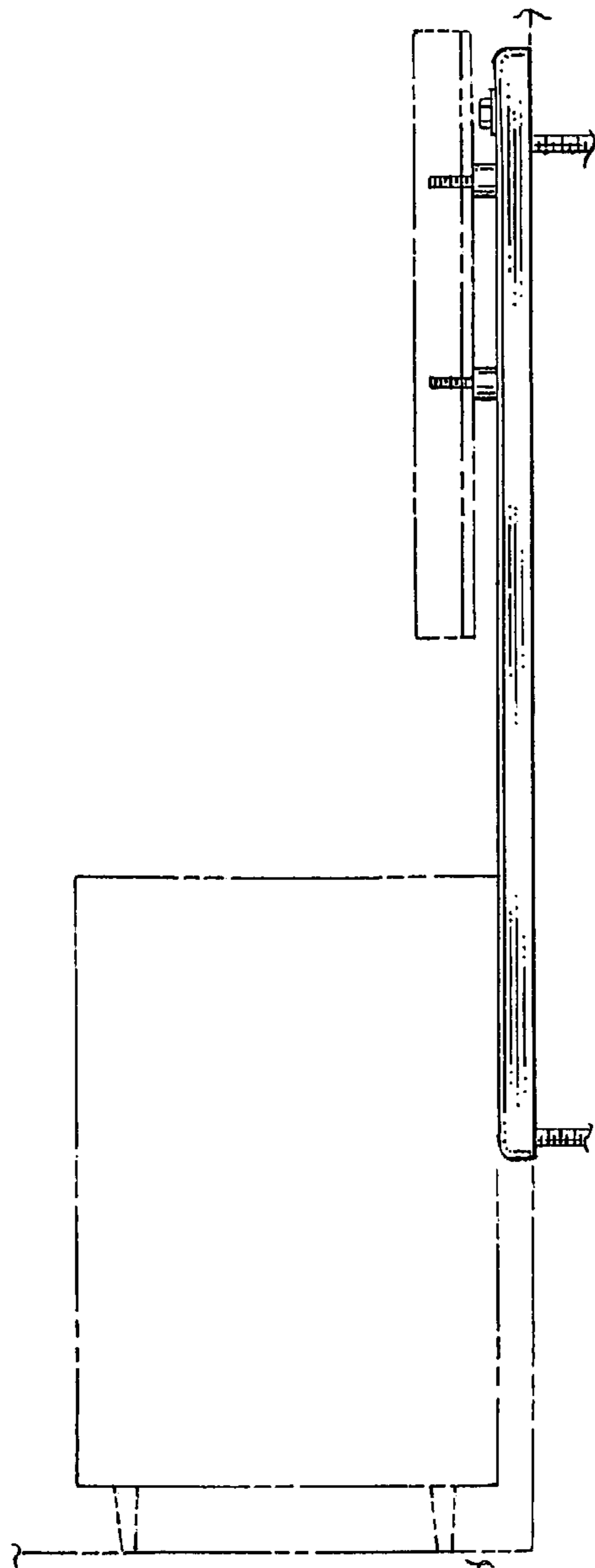


FIG. 6

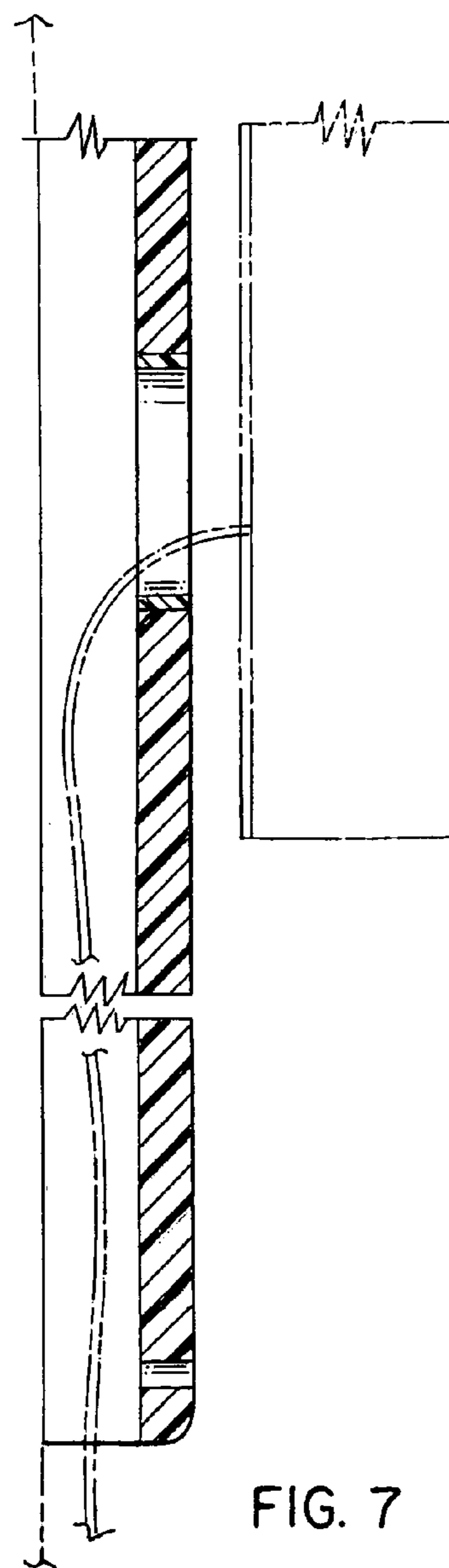


FIG. 7

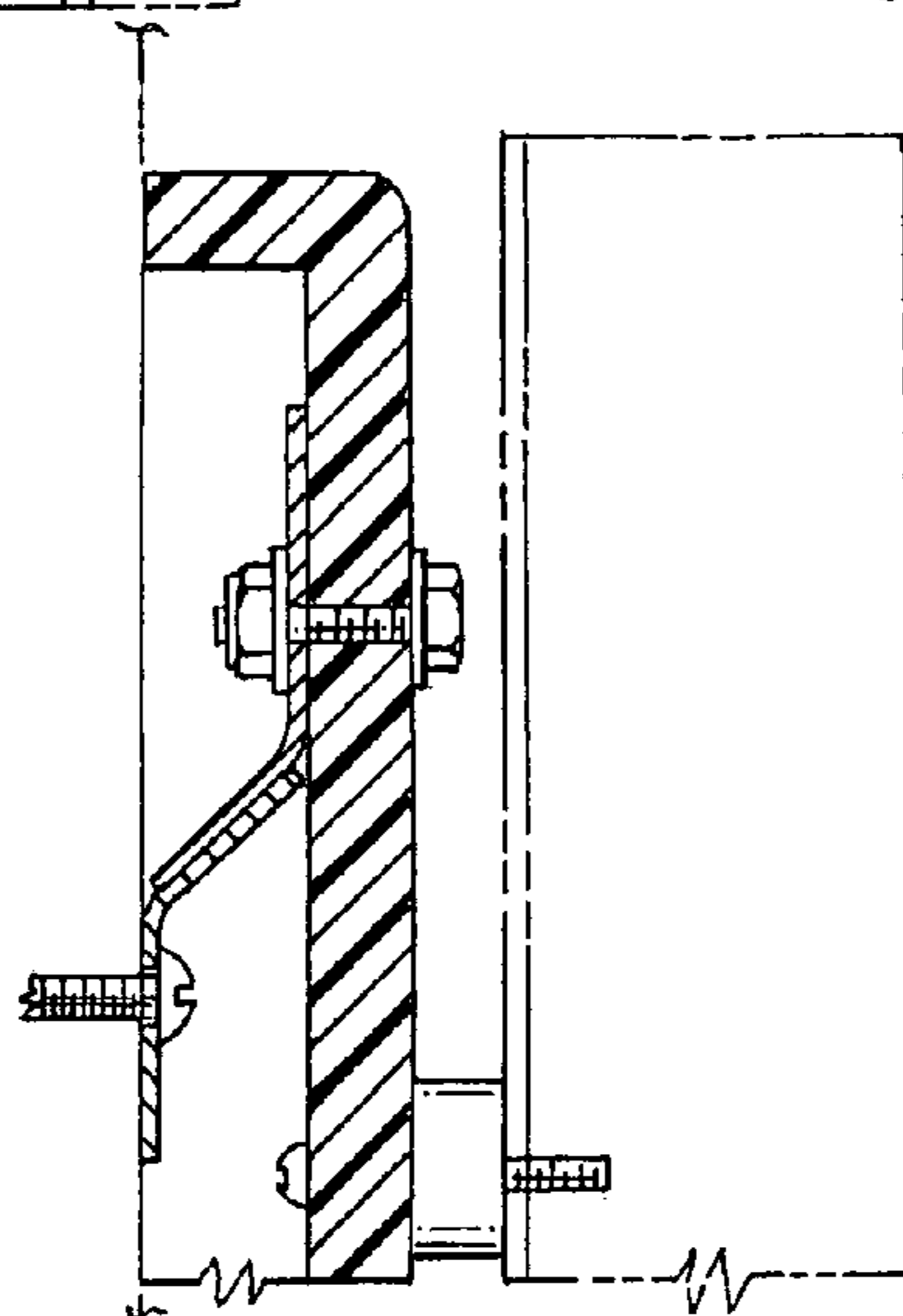


FIG. 8