



US00D586791S

(12) **United States Design Patent**  
**Birger et al.**

(10) **Patent No.:** **US D586,791 S**  
(45) **Date of Patent:** **\*\* Feb. 17, 2009**

(54) **HEADSET**

(75) Inventors: **Johan Birger**, København (DK);  
**Magnus Goransson**, Marina Del Rey,  
CA (US)

(73) Assignee: **GN A/S** (DK)

(\*\*) Term: **14 Years**

(21) Appl. No.: **29/296,936**

(22) Filed: **Oct. 31, 2007**

(30) **Foreign Application Priority Data**

May 18, 2007 (EM) ..... 000725775

(51) **LOC (9) Cl.** ..... **14-01**

(52) **U.S. Cl.** ..... **D14/223**

(58) **Field of Classification Search** ..... D14/205,  
D14/206, 223; 181/129–130; 379/430, 430.01,  
379/433.02, 433.03; 381/380, 381, 370,  
381/374–379; D24/174; 455/575.2  
See application file for complete search history.

(56) **References Cited**

**U.S. PATENT DOCUMENTS**

6,760,459 B2 *	7/2004	Bae	.....	381/375
D502,171 S *	2/2005	Tang et al.	.....	D14/223
D508,485 S *	8/2005	Katsumata	.....	D14/223
D509,210 S *	9/2005	Skulley et al.	.....	D14/205
D512,991 S *	12/2005	Yano	.....	D14/223
D517,054 S *	3/2006	Yang	.....	D14/223
D520,497 S *	5/2006	Yang	.....	D14/223
D526,313 S *	8/2006	Murray	.....	D14/223
D533,540 S *	12/2006	Murray	.....	D14/205
D538,792 S *	3/2007	Kim et al.	.....	D14/223
D542,267 S *	5/2007	Cha et al.	.....	D14/206
D553,613 S *	10/2007	Sade et al.	.....	D14/223
D555,151 S *	11/2007	Eklund et al.	.....	D14/223
D556,740 S *	12/2007	Xavier et al.	.....	D14/223

D559,836 S *	1/2008	Lee et al.	.....	D14/223
D562,808 S *	2/2008	Gwee et al.	.....	D14/223
D564,500 S *	3/2008	Wang	.....	D14/223
D565,033 S *	3/2008	Goransson	.....	D14/223
D566,105 S *	4/2008	Yang et al.	.....	D14/223
D566,108 S *	4/2008	Kan	.....	D14/223
D566,692 S *	4/2008	Sade et al.	.....	D14/223
D566,693 S *	4/2008	Jensen et al.	.....	D14/223
D566,694 S *	4/2008	Kim et al.	.....	D14/223
D568,876 S *	5/2008	Tsai et al.	.....	D14/223
D569,842 S *	5/2008	Yang	.....	D14/205
D569,849 S *	5/2008	Goransson	.....	D14/223
D572,241 S *	7/2008	Gwee	.....	D14/223
D573,138 S *	7/2008	Goransson	.....	D14/223
D573,139 S *	7/2008	Birger	.....	D14/223
D573,140 S *	7/2008	Tsai et al.	.....	D14/223
D573,582 S *	7/2008	Ma	.....	D14/205
D573,983 S *	7/2008	Bang et al.	.....	D14/223
D574,366 S *	8/2008	Sade et al.	.....	D14/223
D574,367 S *	8/2008	Jaakkola et al.	.....	D14/223
D575,277 S *	8/2008	Gaarde et al.	.....	D14/223

\* cited by examiner

*Primary Examiner*—Paula Greene

(74) *Attorney, Agent, or Firm*—Altera Law Group, LLC

(57) **CLAIM**

The ornamental design for headset, as shown and described.

**DESCRIPTION**

FIG. 1 is a perspective view of the headset.

FIG. 2 is a front view thereof.

FIG. 3 is a side view thereof.

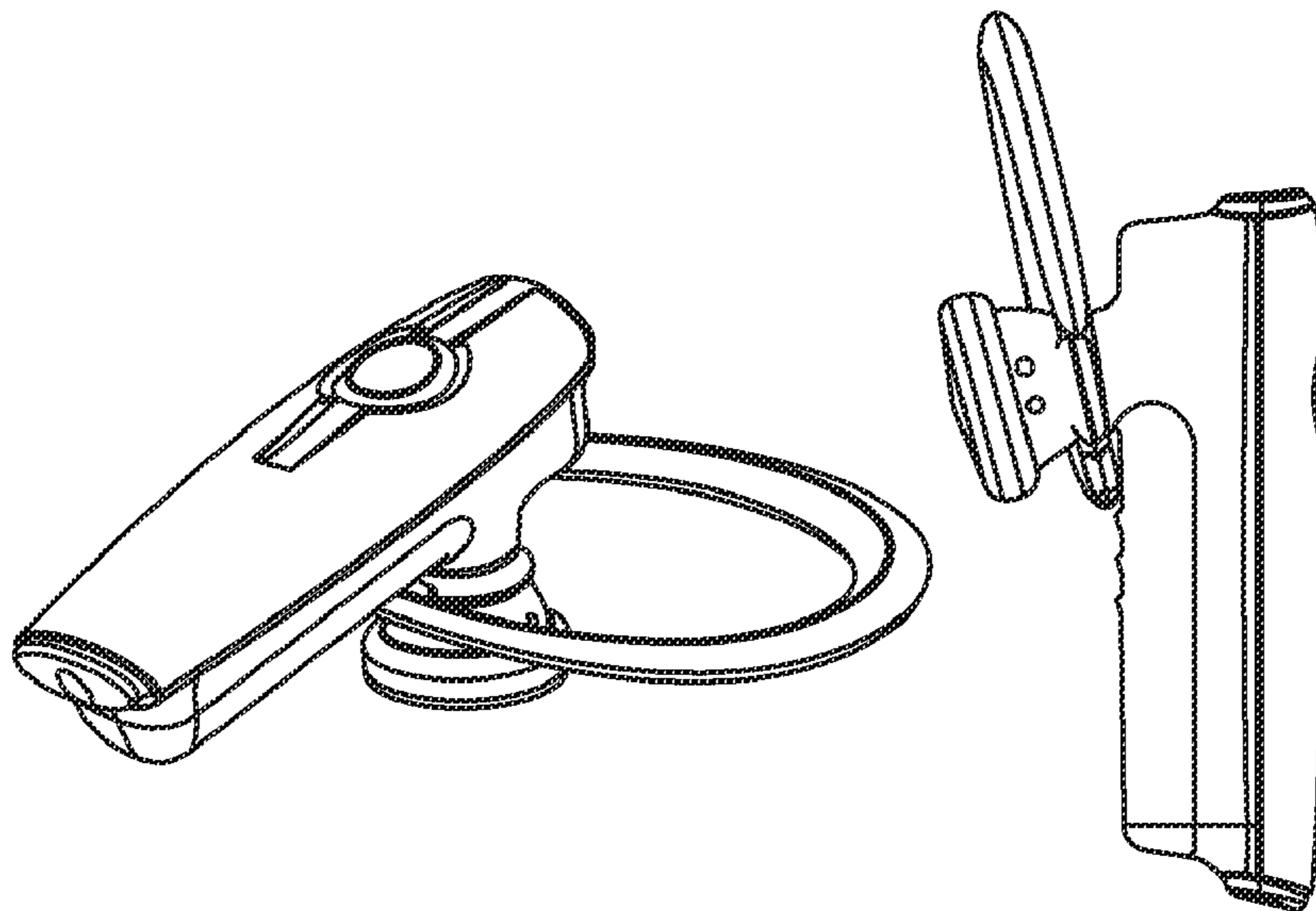
FIG. 4 is a top view thereof.

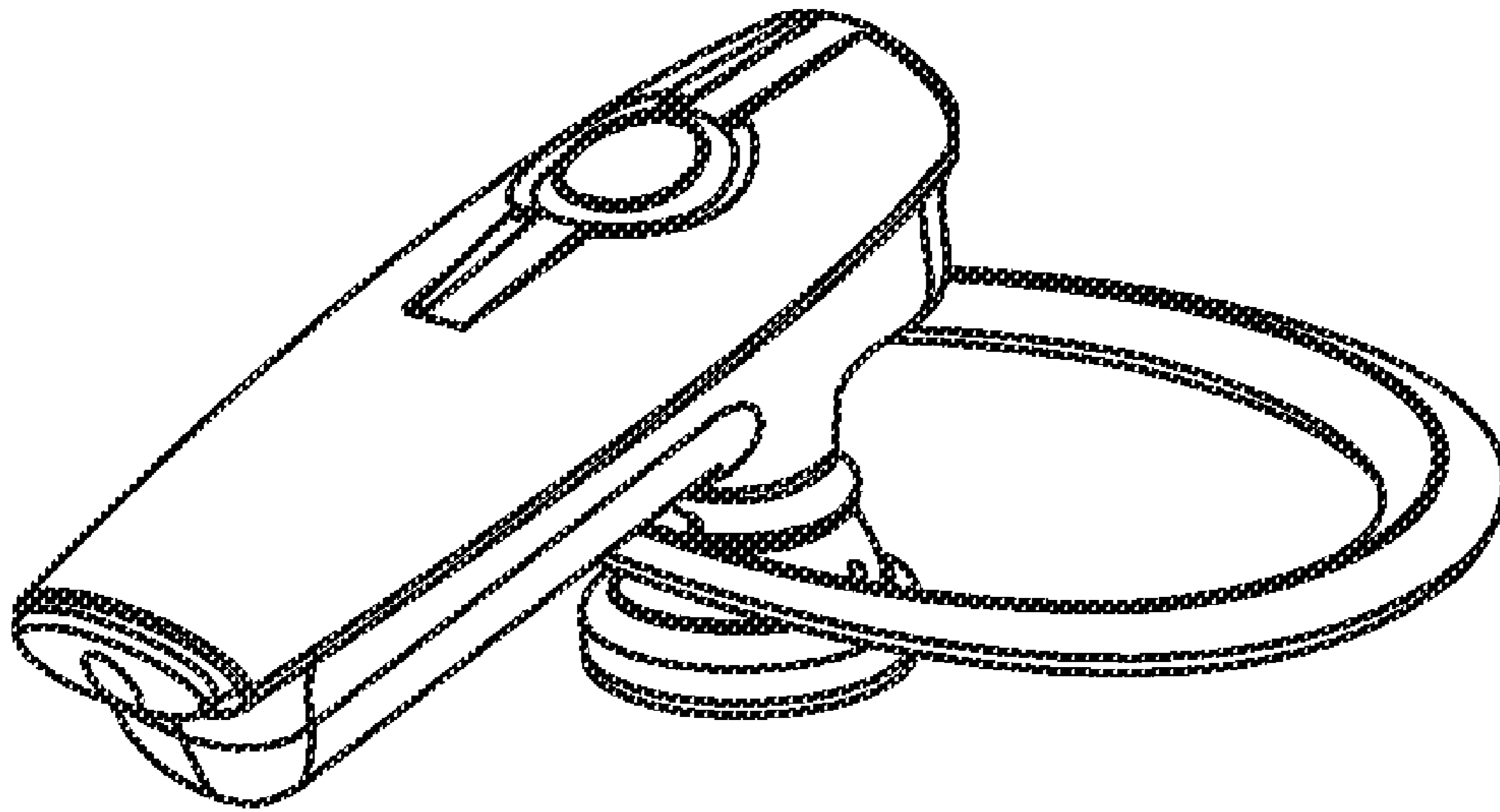
FIG. 5 is a bottom view thereof.

FIG. 6 is a view from the back thereof; and,

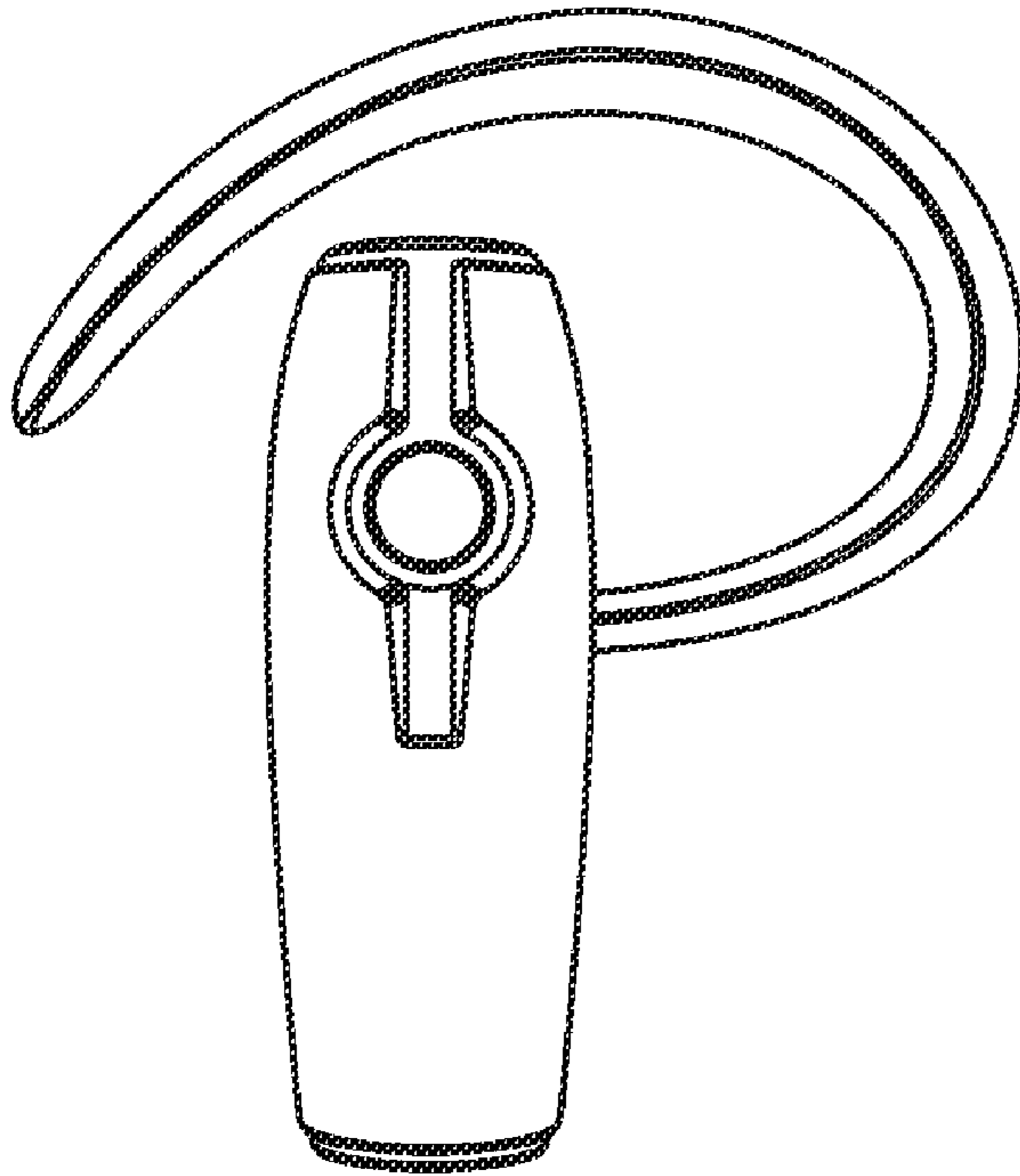
FIG. 7 is a view from the opposite side thereof.

**1 Claim, 3 Drawing Sheets**

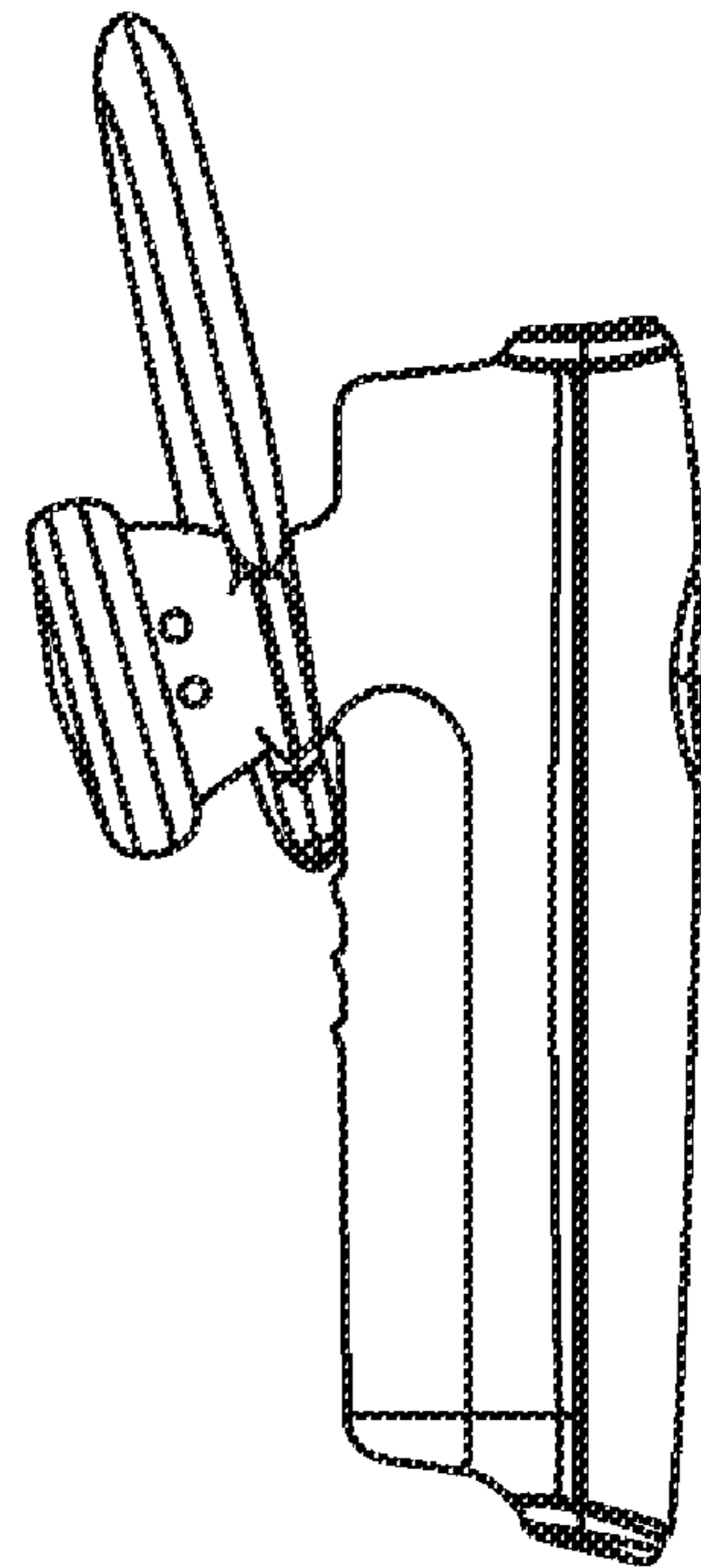




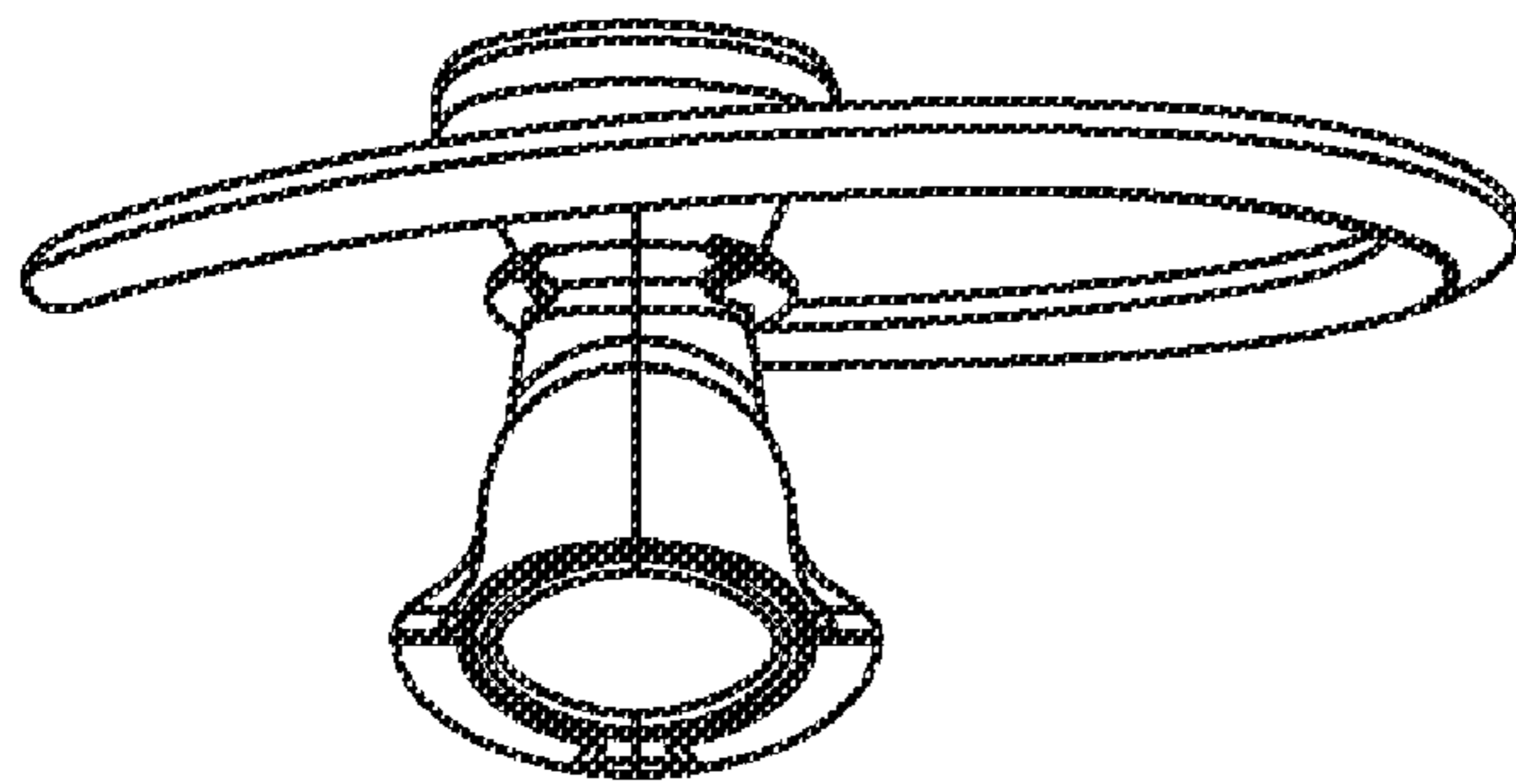
**Fig. 1**



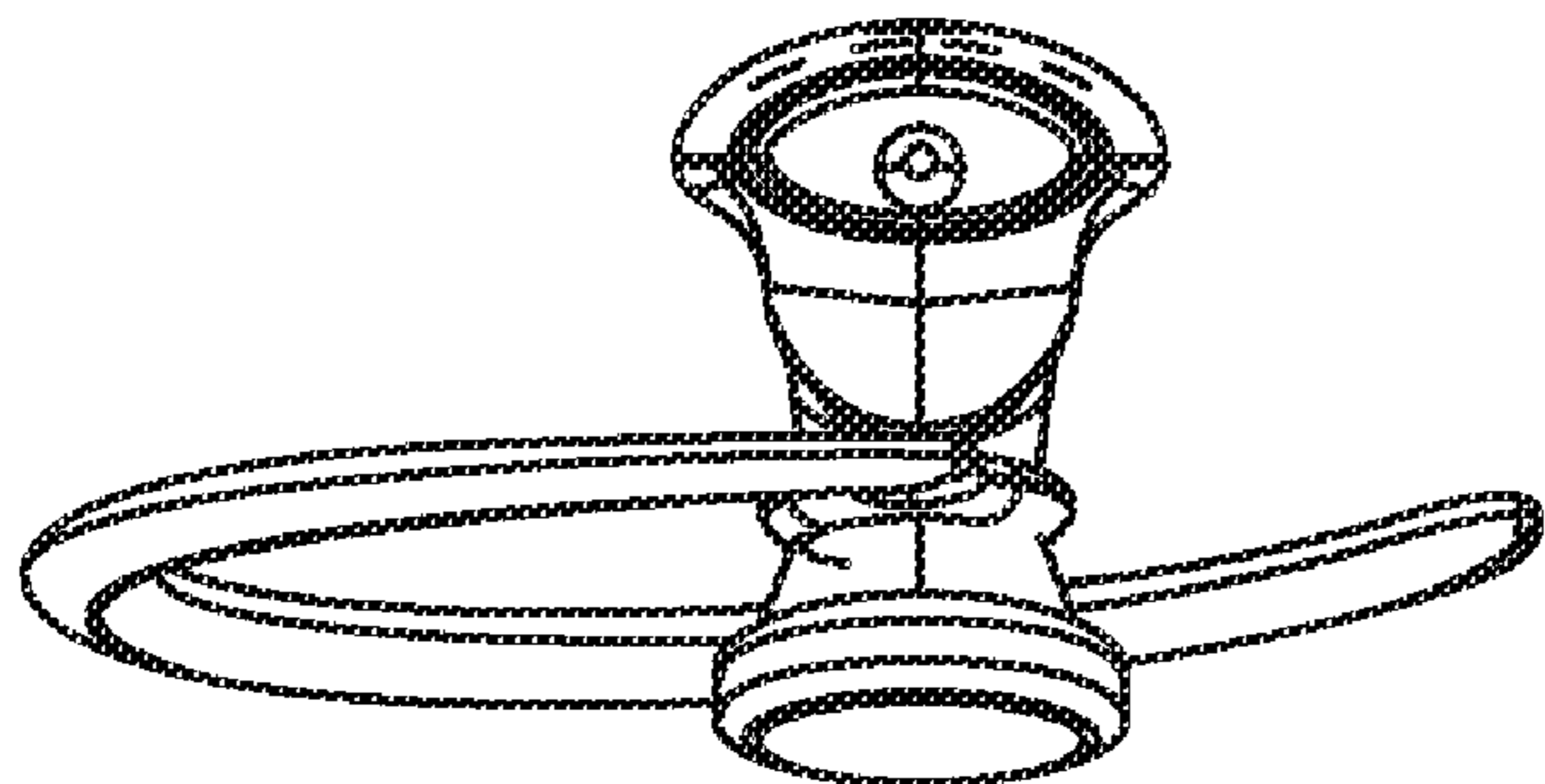
**Fig. 2**



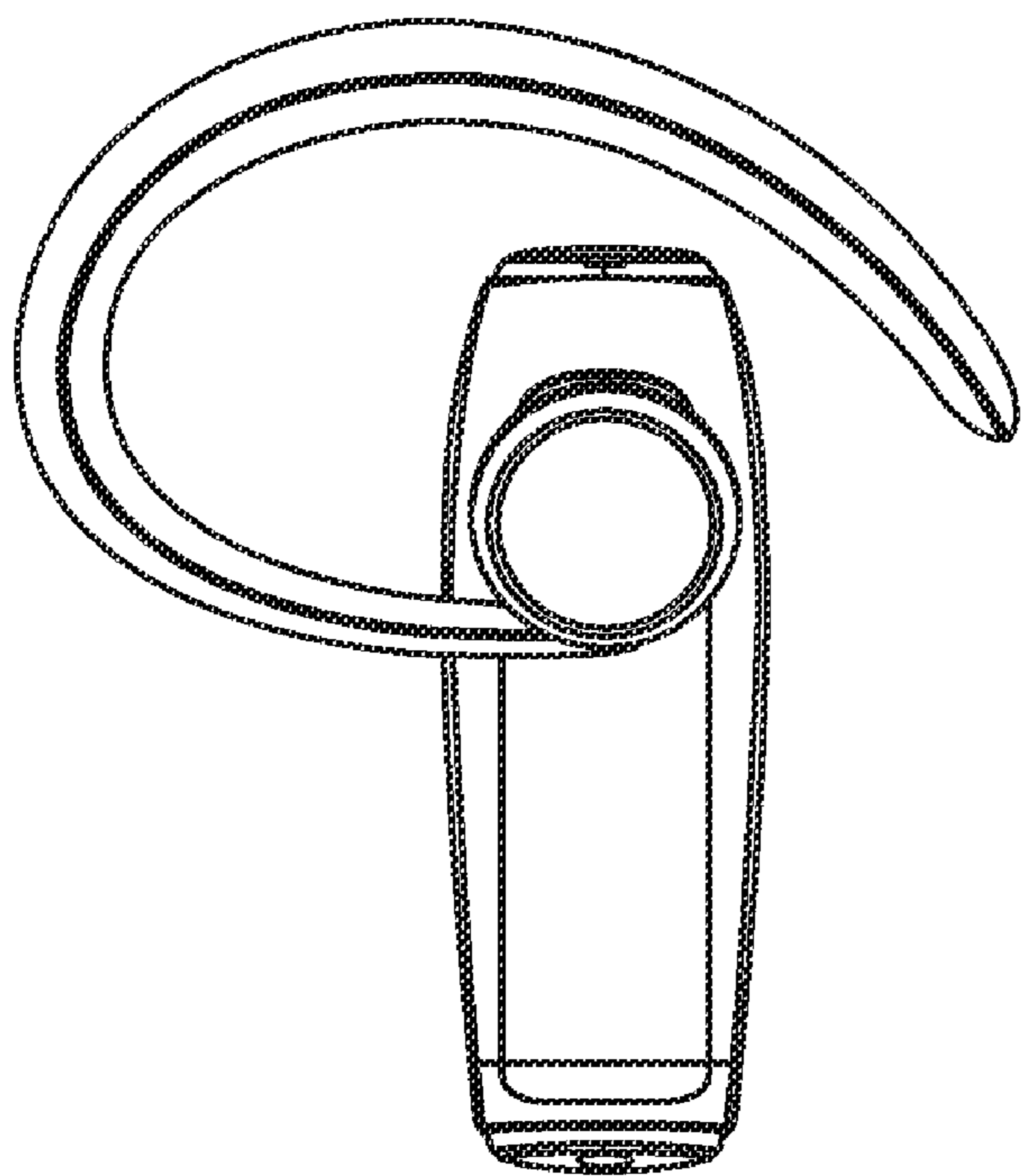
**Fig. 3**



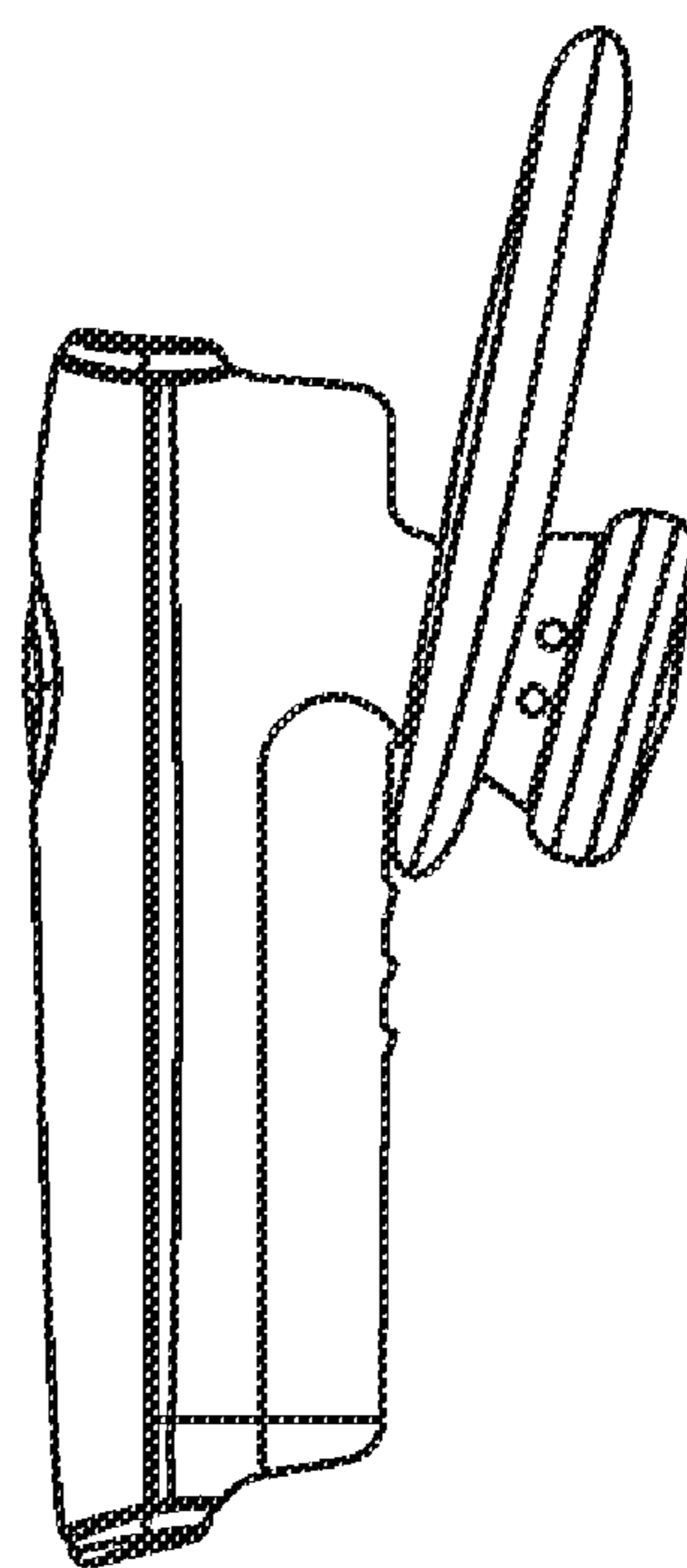
**Fig. 4**



**Fig. 5**



**Fig. 6**



**Fig. 7**