



US00D586787S

(12) **United States Design Patent**
Rivard et al.

(10) **Patent No.:** **US D586,787 S**
(45) **Date of Patent:** **** Feb. 17, 2009**

(54) **MEDIA PLAYER DOCKING STATION FOR BATHING UNIT OR BOAT**

DESCRIPTION

(76) Inventors: **Myriam Rivard**, 228 Dublin, Shannon, Québec (CA) G0A 4N0; **Benoit Laflamme**, 1164 Tumbull, Québec (CA) G1R 2X8; **Mario Joyal**, 215 rue du Chalutler, Apt. 401, Québec (CA) G1K 8R3; **Martin Bouliane**, 228 Dublin, Shannon, Québec (CA) G0A 4N0

FIG. 1 is a perspective view of a first embodiment of a media player docking station for bathing unit or boat, embodying our new design;

FIG. 2 is a front elevation view thereof;

FIG. 3 is a left side elevation view thereof;

FIG. 4 is a right side elevation view thereof;

FIG. 5 is a bottom plan view thereof;

FIG. 6 is a top plan view thereof;

FIG. 7 is an alternate front elevation view thereof, with the cover shown in an open position;

FIG. 8 is a rear elevation view thereof;

FIG. 9 is a perspective view of a second embodiment of a media player docking station for bathing unit or boat, embodying our new design;

FIG. 10 is a front elevation view thereof;

FIG. 11 is a left side elevation view thereof;

FIG. 12 is a right side elevation view thereof;

FIG. 13 is a bottom plan view thereof;

FIG. 14 is a top plan view thereof;

FIG. 15 is an alternate front elevation view thereof, with the cover shown in an open position;

FIG. 16 is a rear elevation view thereof;

FIG. 17 is a perspective view of a third embodiment of a media player docking station for bathing unit or boat, embodying our new design;

FIG. 18 is a front elevation view thereof;

FIG. 19 is a left side elevation view thereof;

FIG. 20 is a right side elevation view thereof;

FIG. 21 is a bottom plan view thereof;

FIG. 22 is a top plan view thereof;

FIG. 23 is an alternate front elevation view thereof, with the cover shown in an open position; and,

FIG. 24 is a rear elevation view thereof.

The broken lines represent the portions of the design that form no part of the claim.

(**) Term: **14 Years**

(21) Appl. No.: **29/290,161**

(22) Filed: **Oct. 26, 2007**

(51) **LOC (9) Cl.** **14-03**

(52) **U.S. Cl.** **D14/217**

(58) **Field of Classification Search** D14/137,
D14/138, 155, 160-171, 188, 191-198, 217,
D14/265, 299, 496; D10/2; 345/156-158;
369/6-12; 370/342-344; 455/90.1-90.3,
455/344-355, 899

See application file for complete search history.

(56) **References Cited**

U.S. PATENT DOCUMENTS

D342,233	S	*	12/1993	Berlin et al.	D13/156
D395,283	S	*	6/1998	Monaco et al.	D13/156
D486,452	S	*	2/2004	Dinh	D13/156
D550,210	S	*	9/2007	Polany et al.	D14/217
D560,170	S	*	1/2008	Ni	D13/152
2005/0123161	A1	*	6/2005	Polany et al.	381/334

* cited by examiner

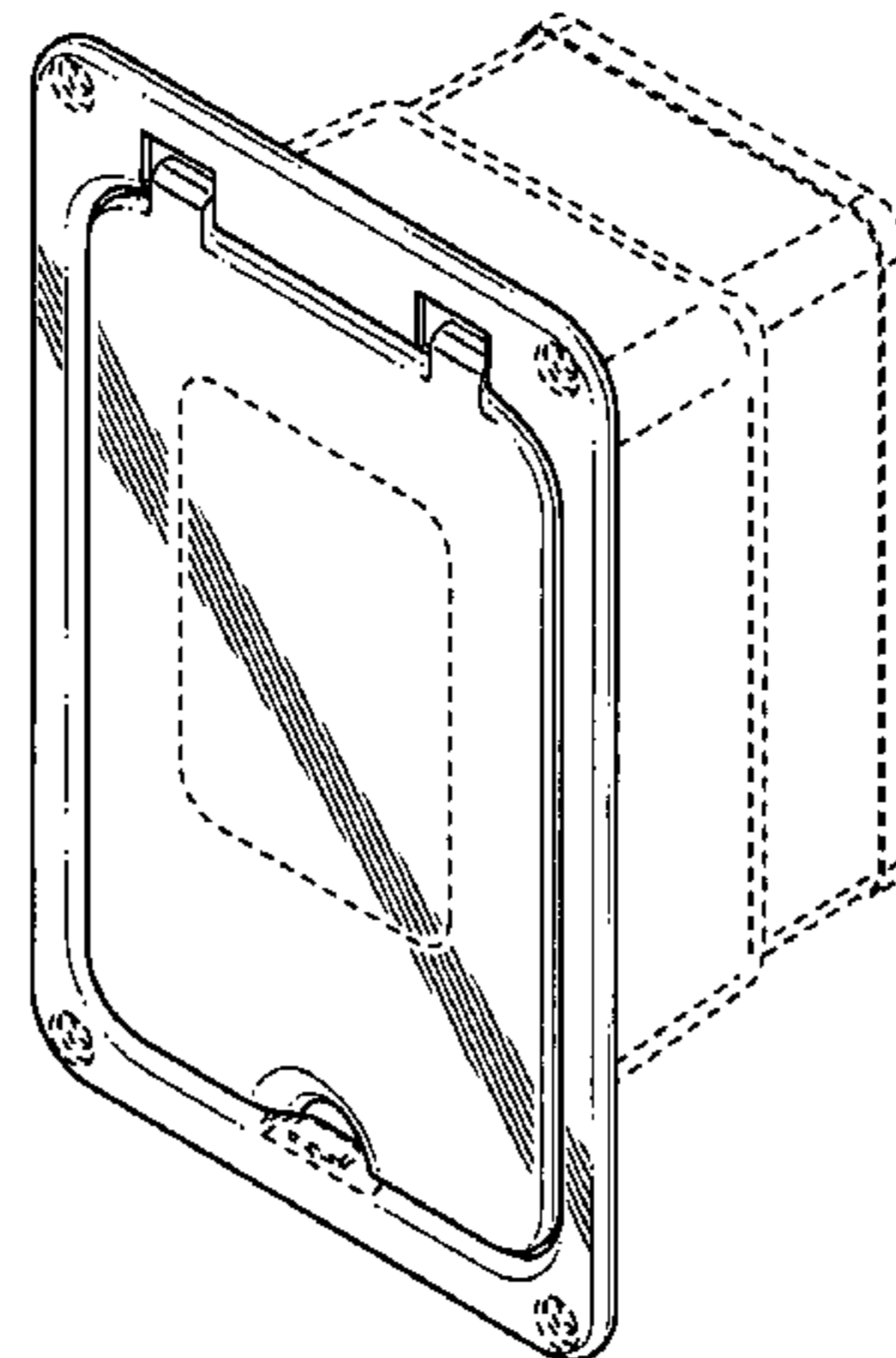
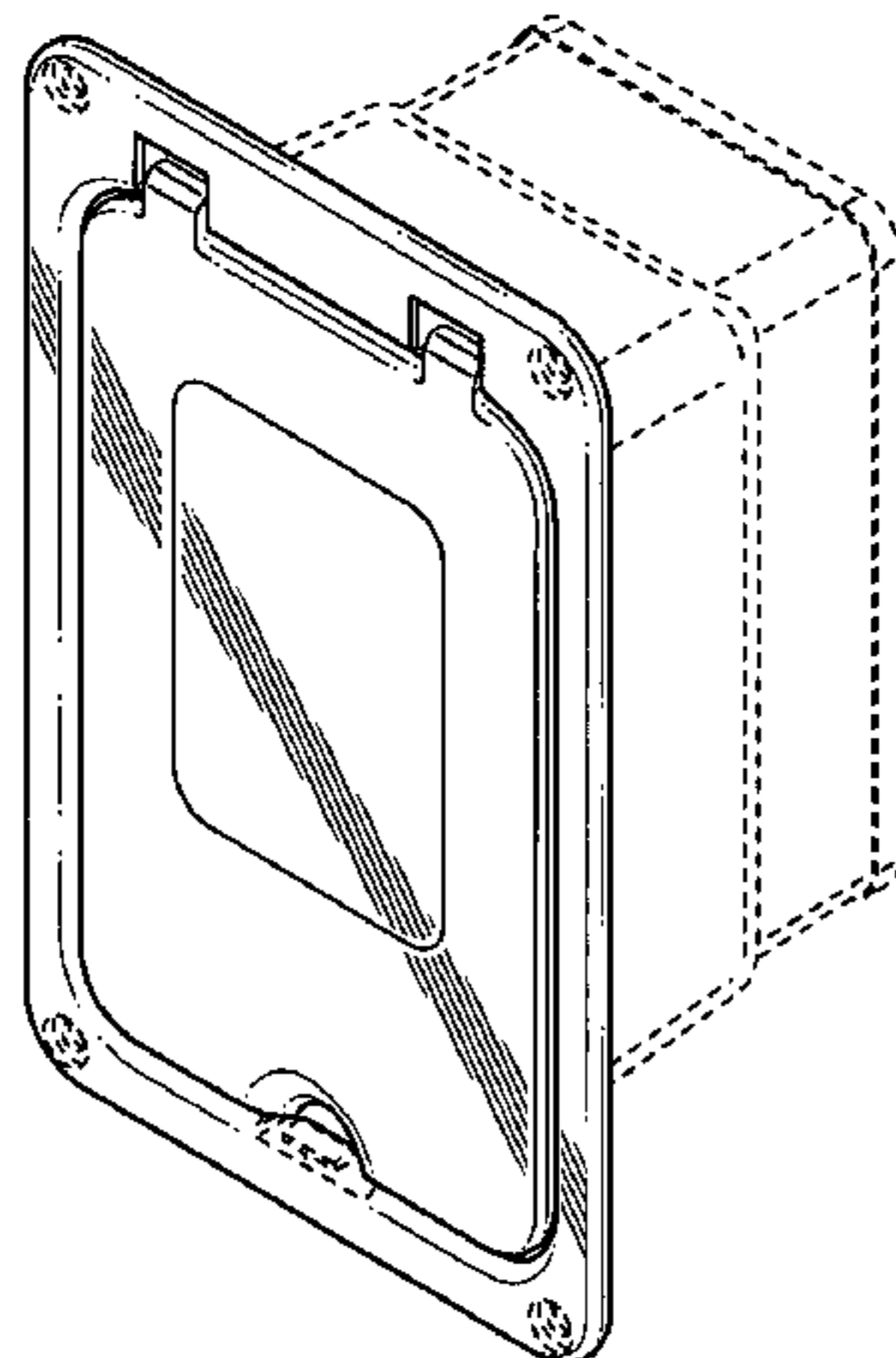
Primary Examiner—Stella M Reid

Assistant Examiner—Keli L Hill

(57) **CLAIM**

We claim the ornamental design for a media player docking station for bathing unit or boat, as shown and described.

1 Claim, 18 Drawing Sheets



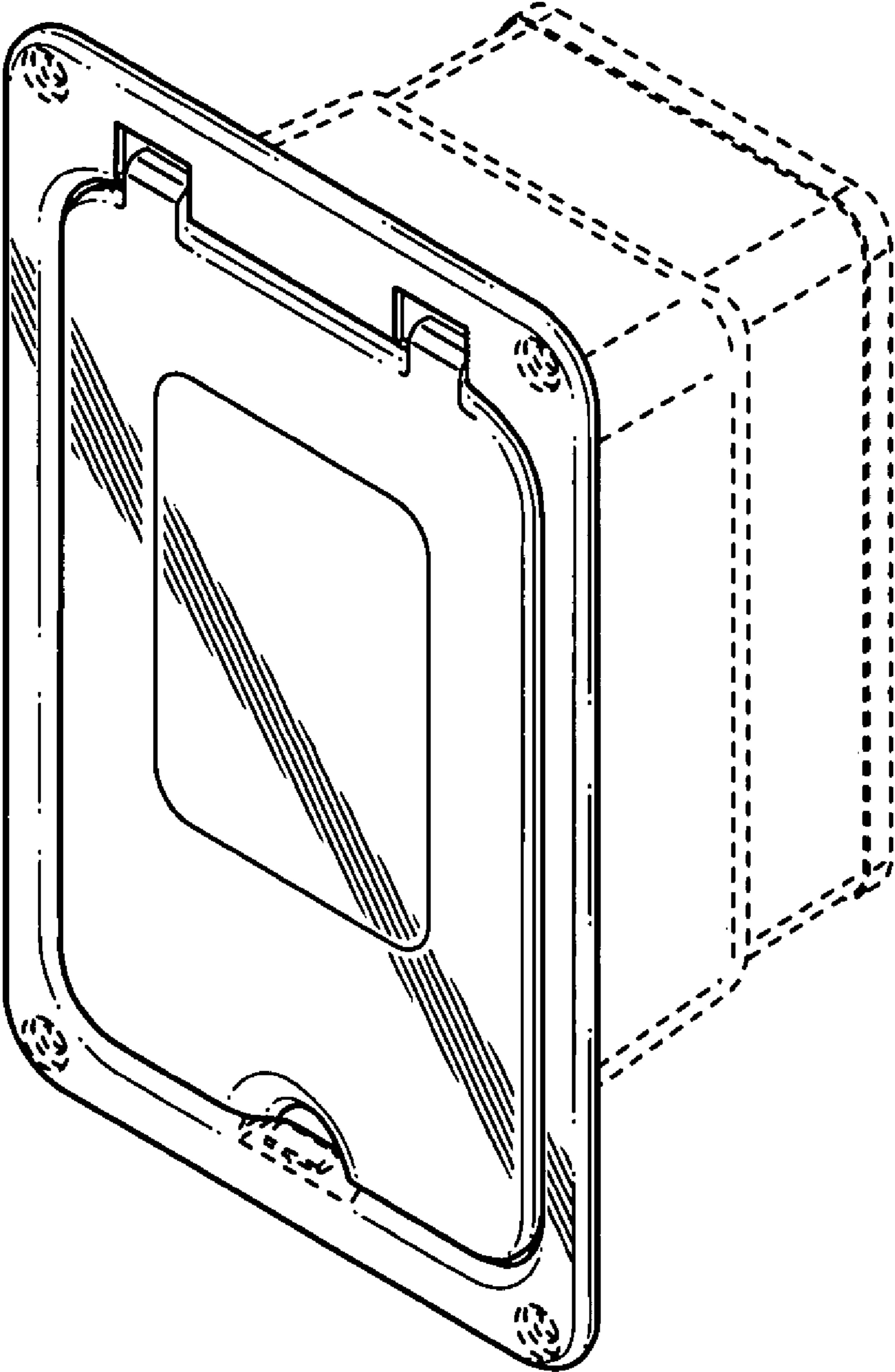


FIG. 1

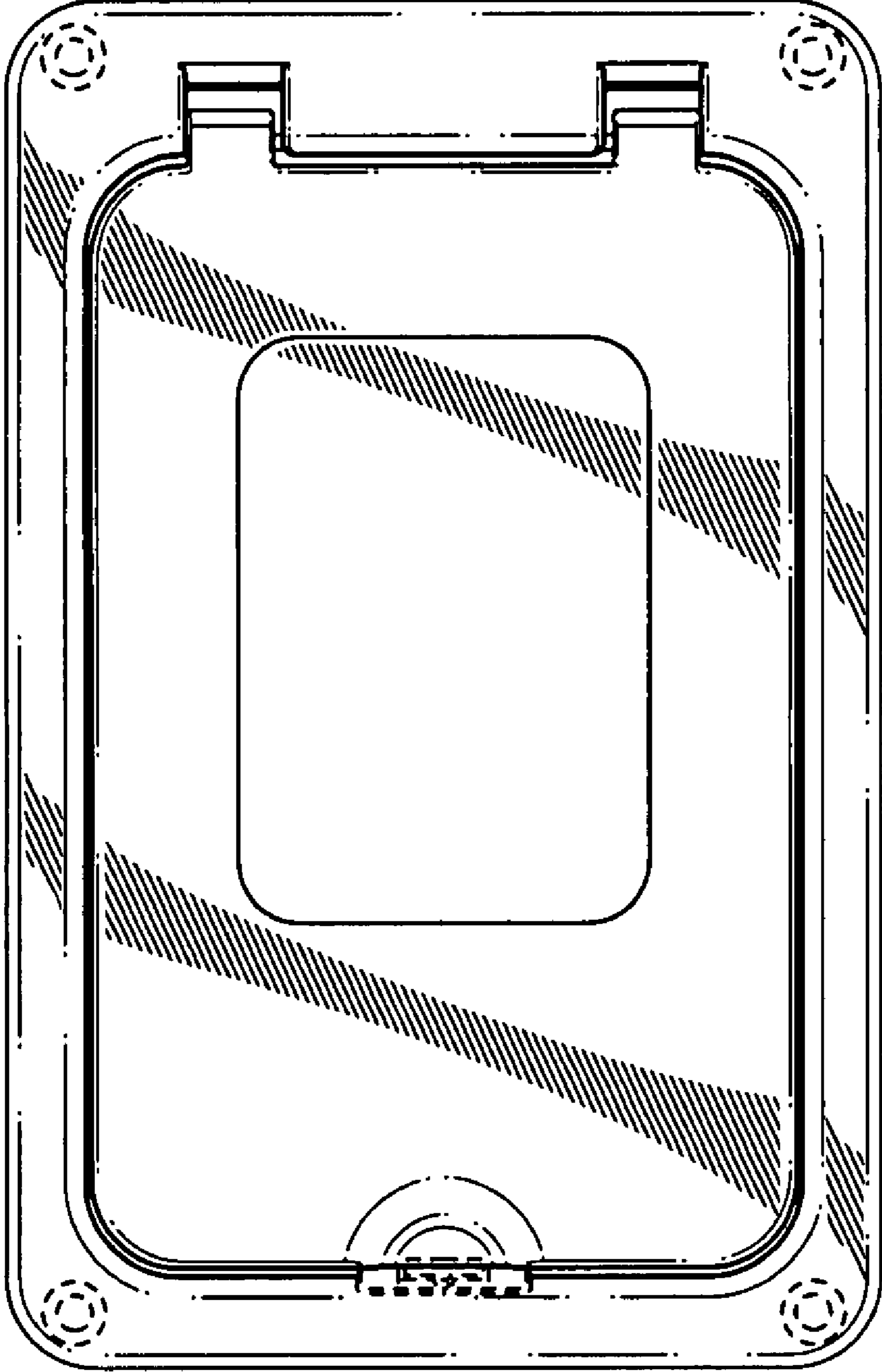


FIG. 2

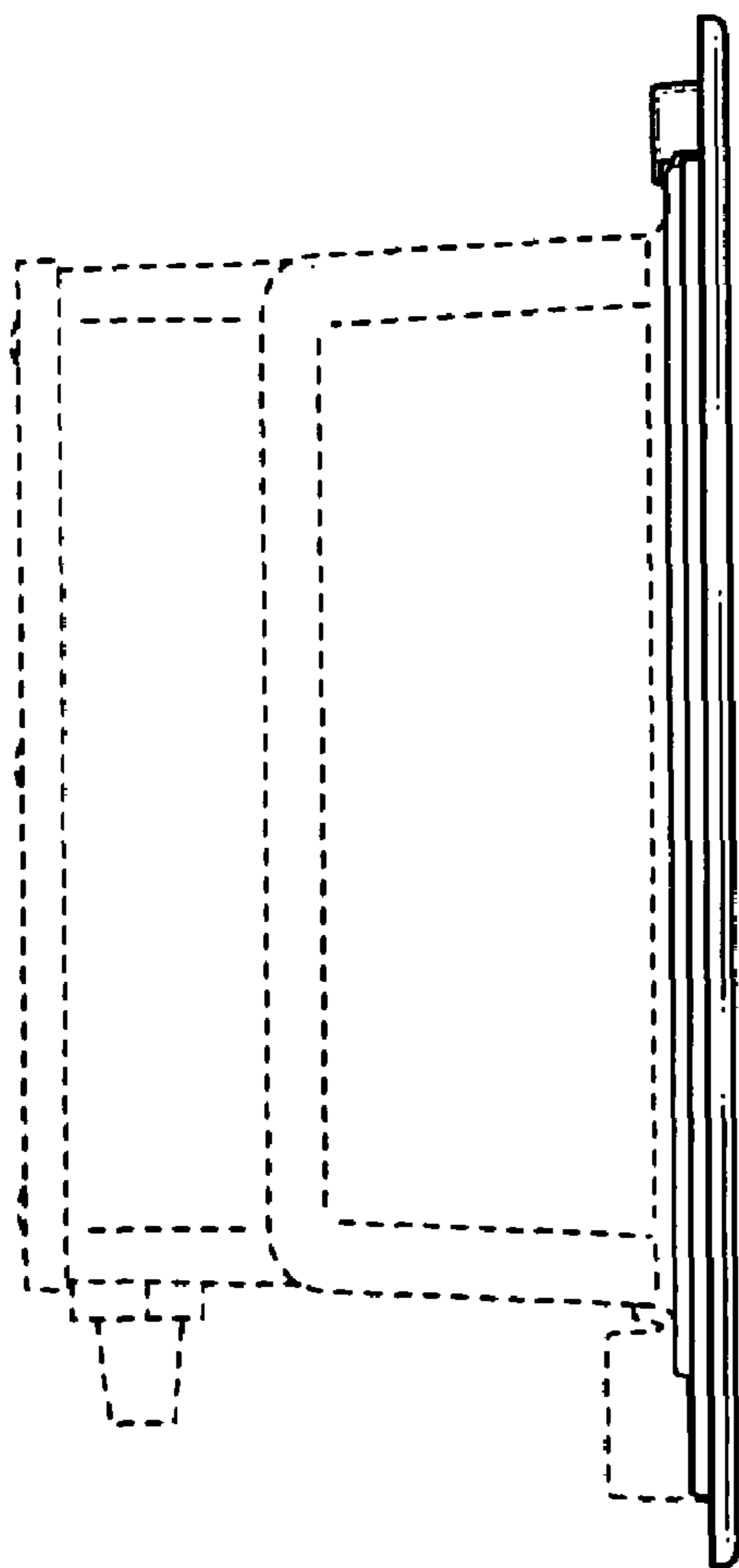


FIG. 3

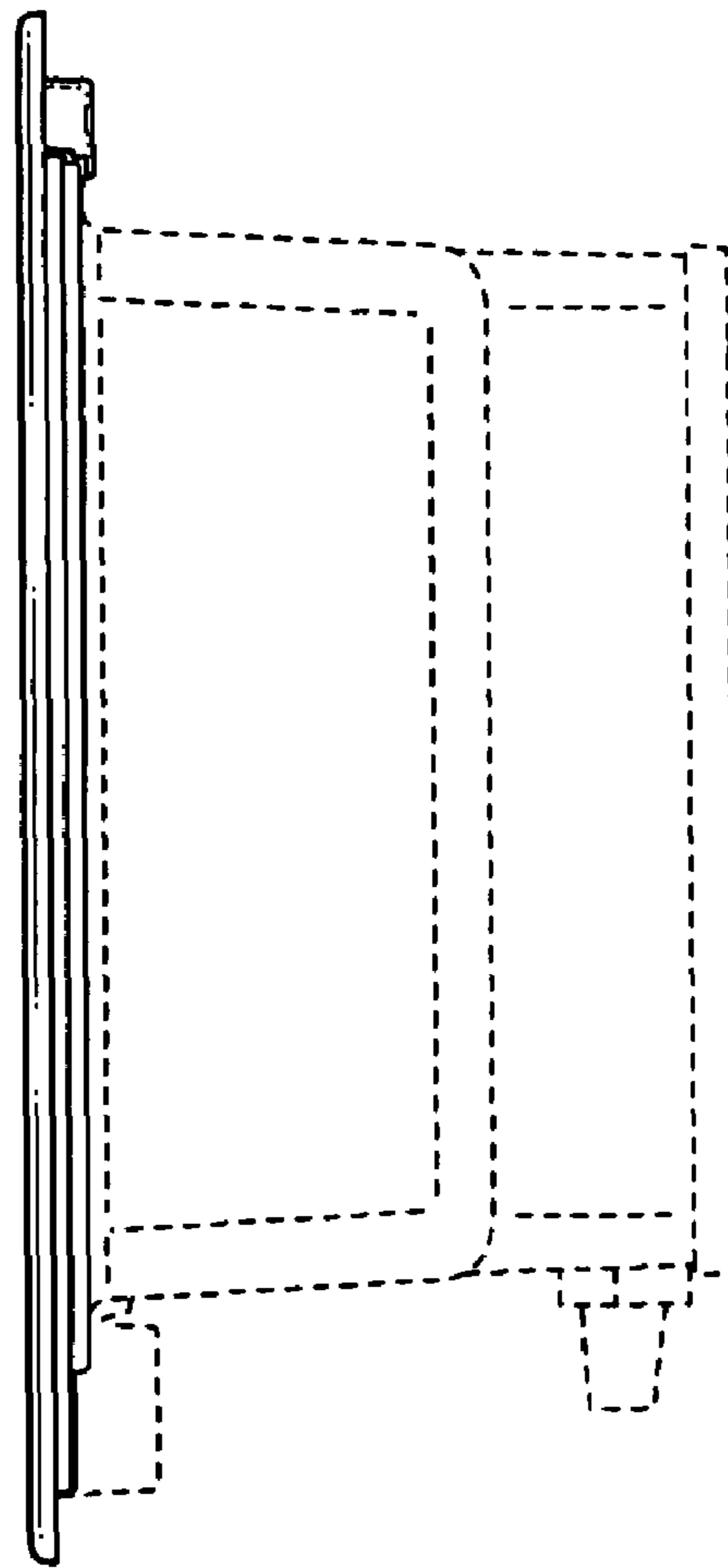


FIG. 4

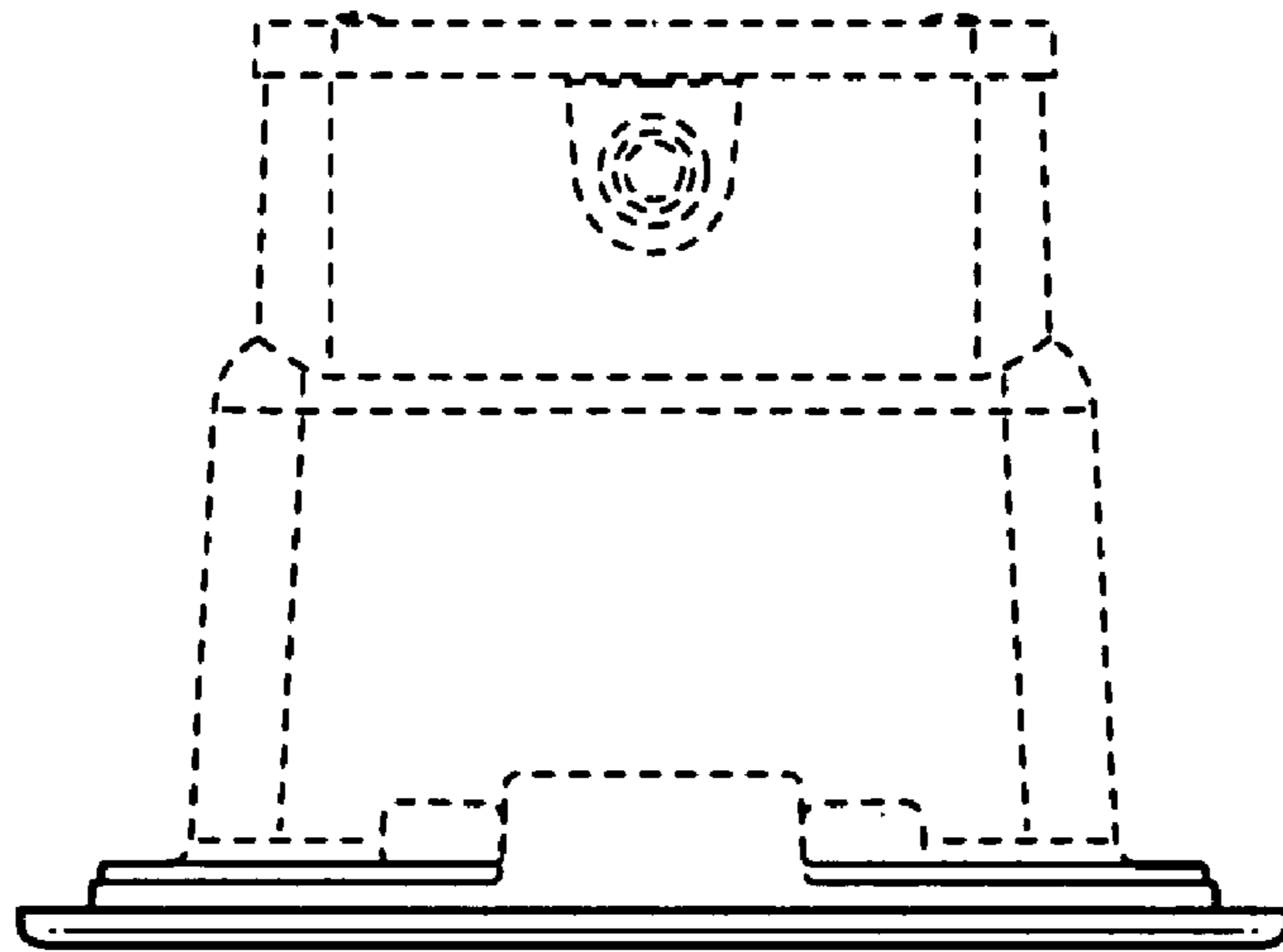


FIG. 5

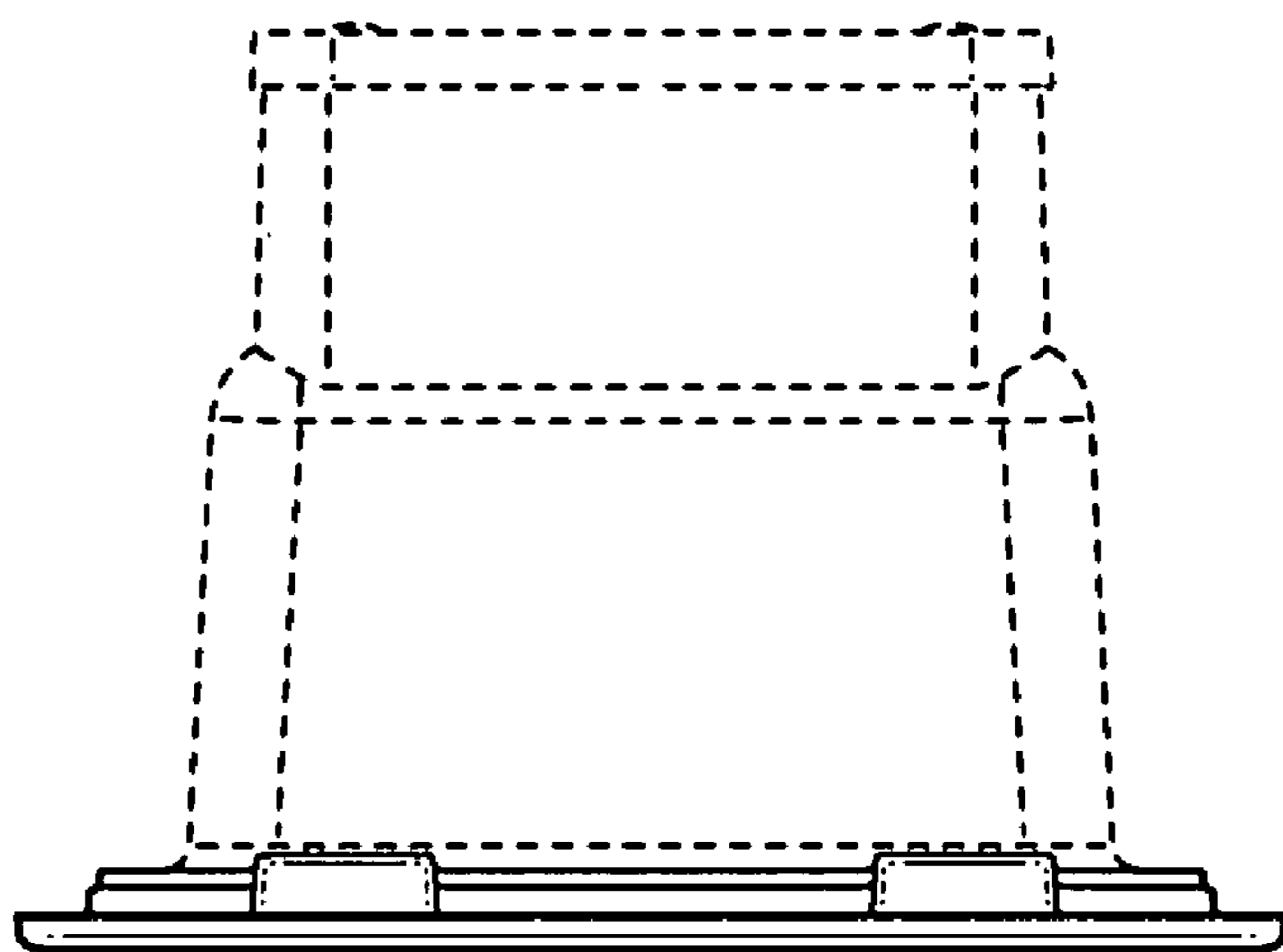


FIG. 6

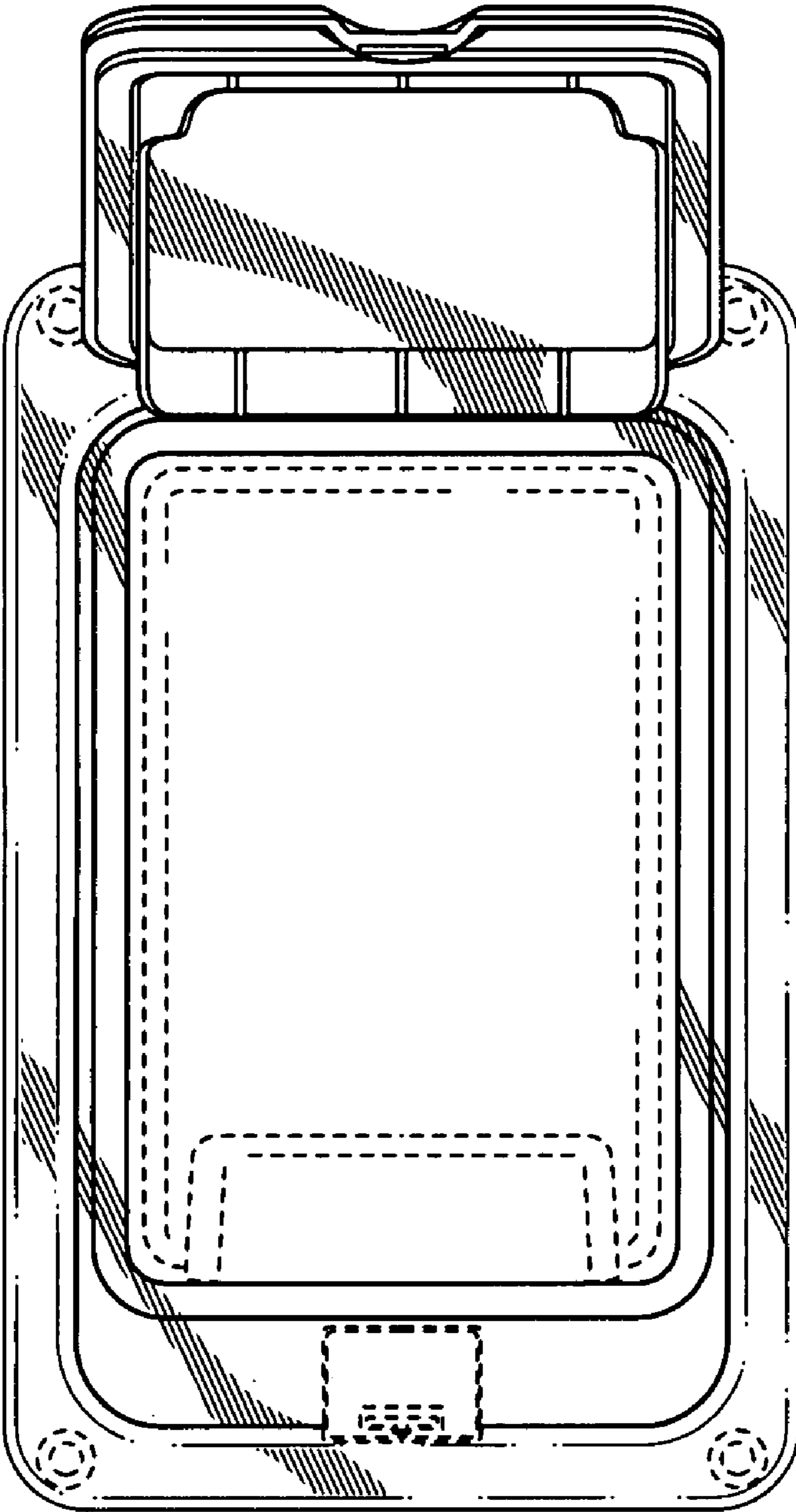


FIG. 7

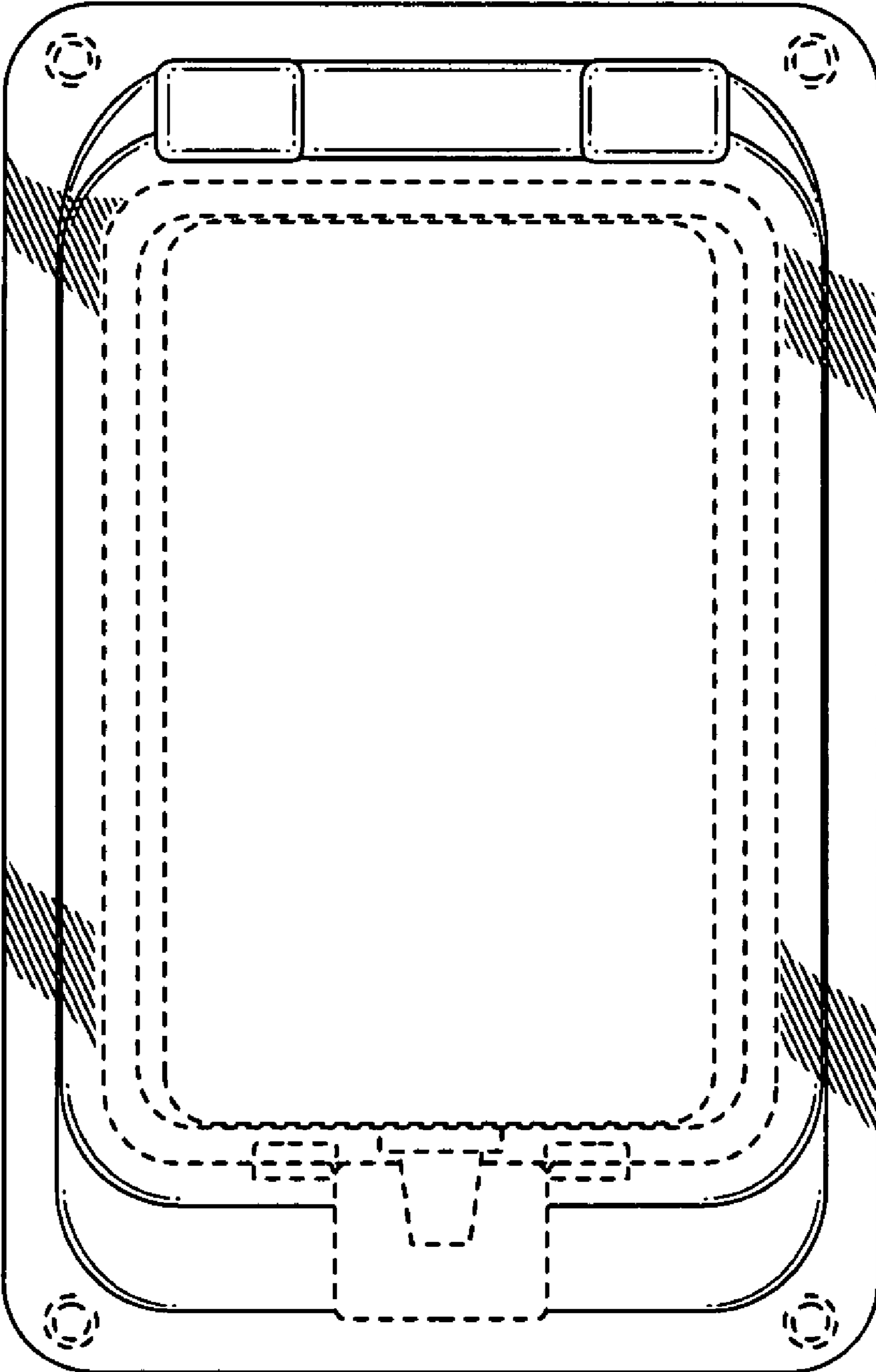


FIG. 8

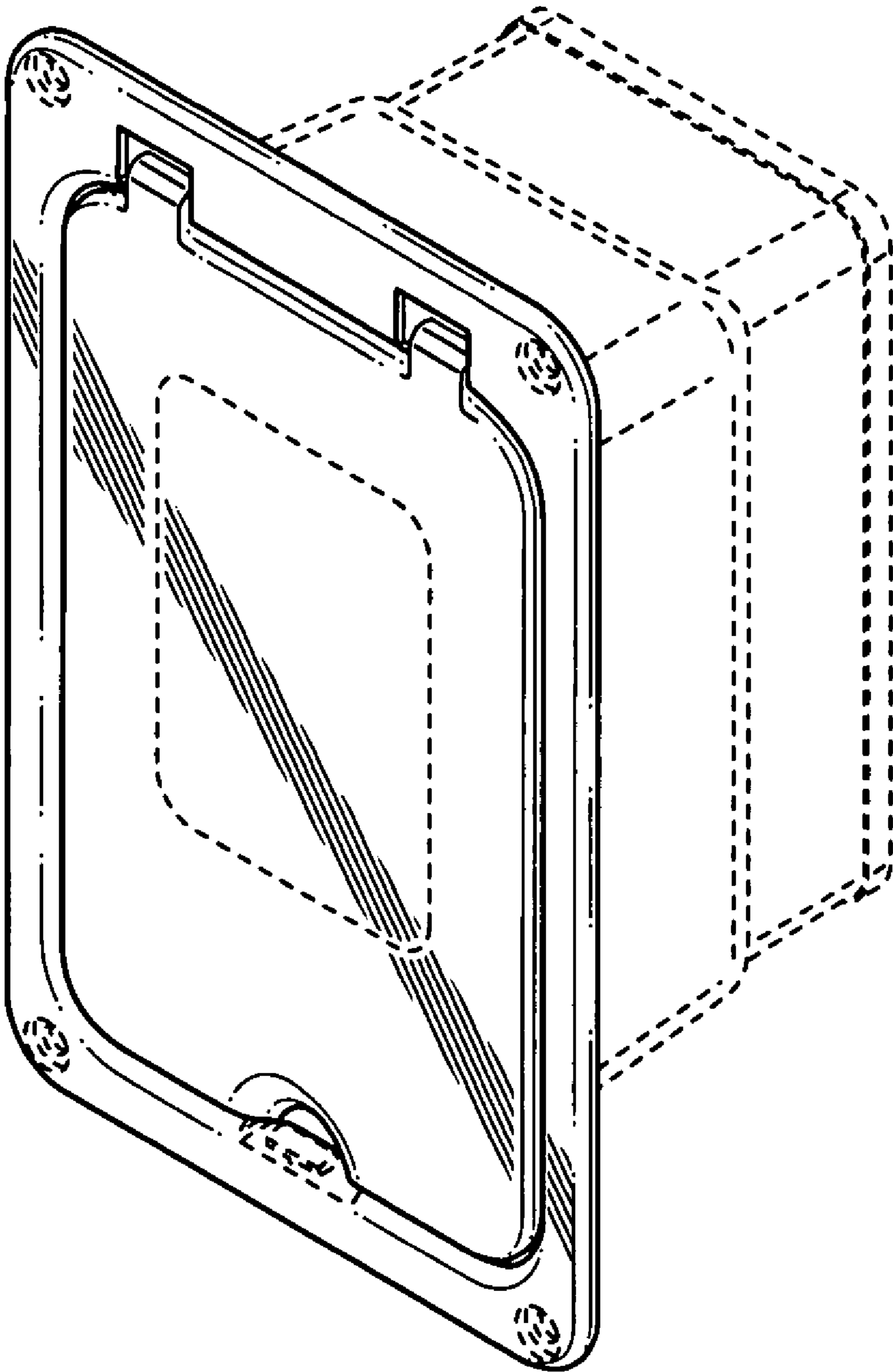


FIG. 9

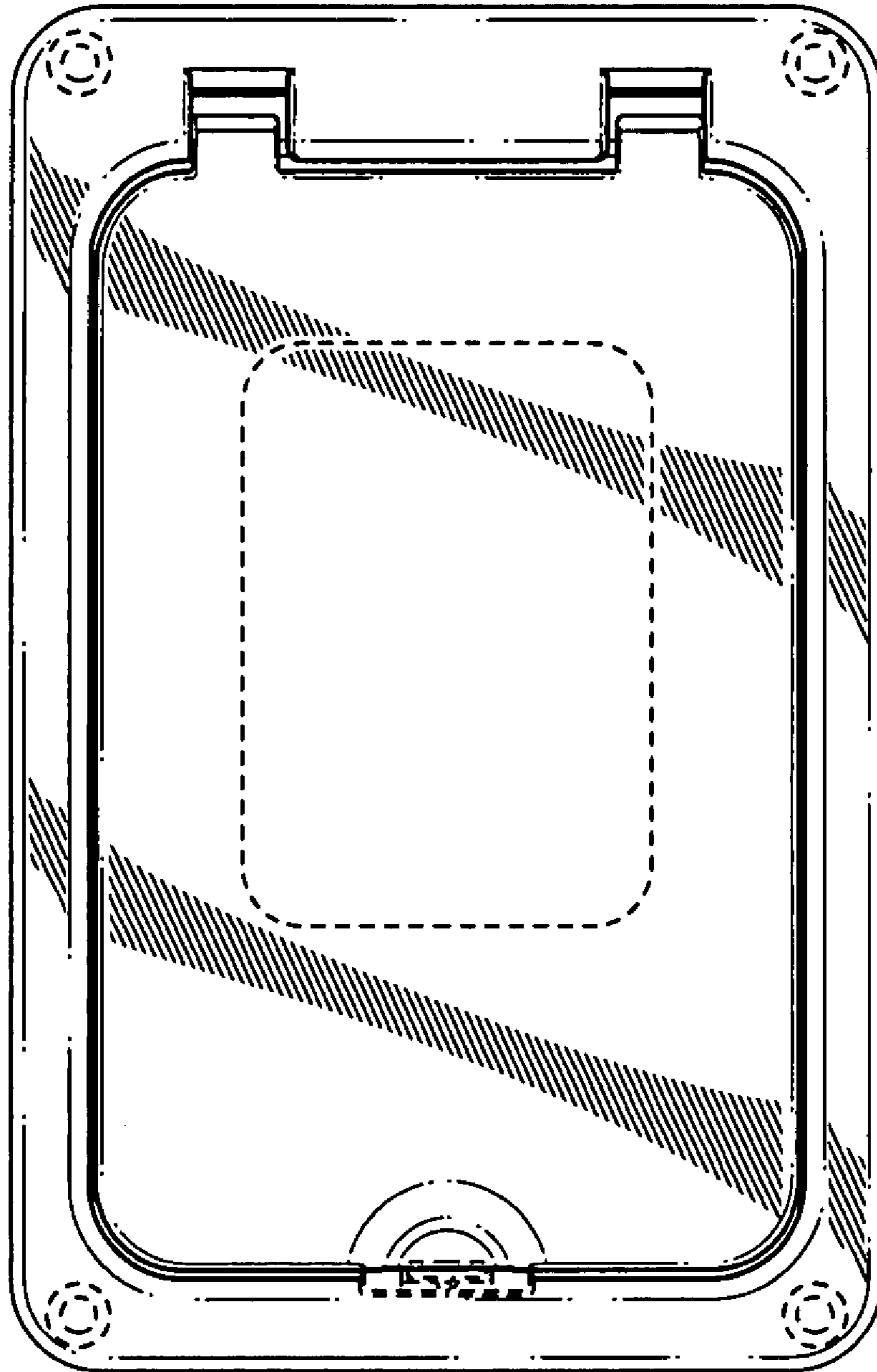


FIG. 10

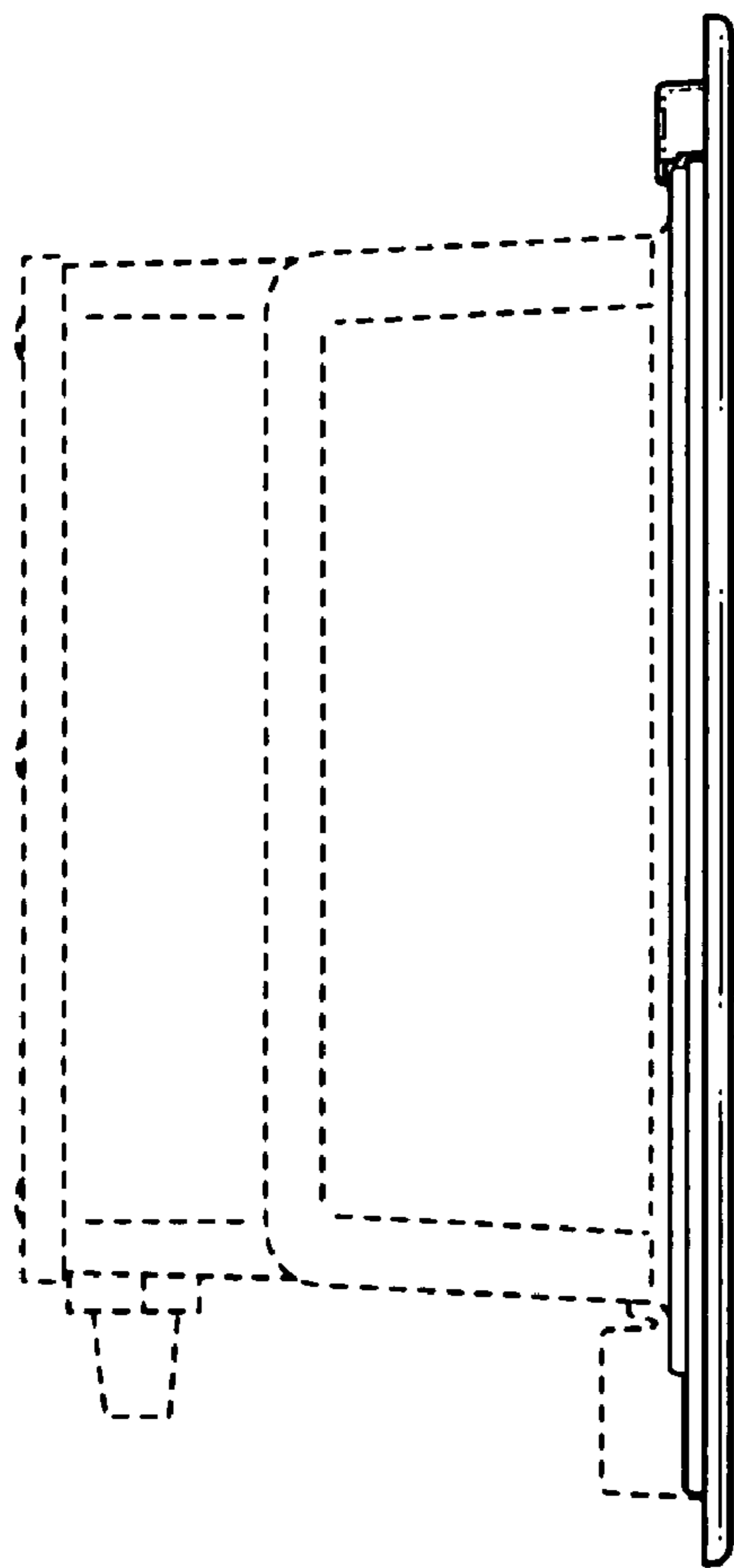


FIG. 11

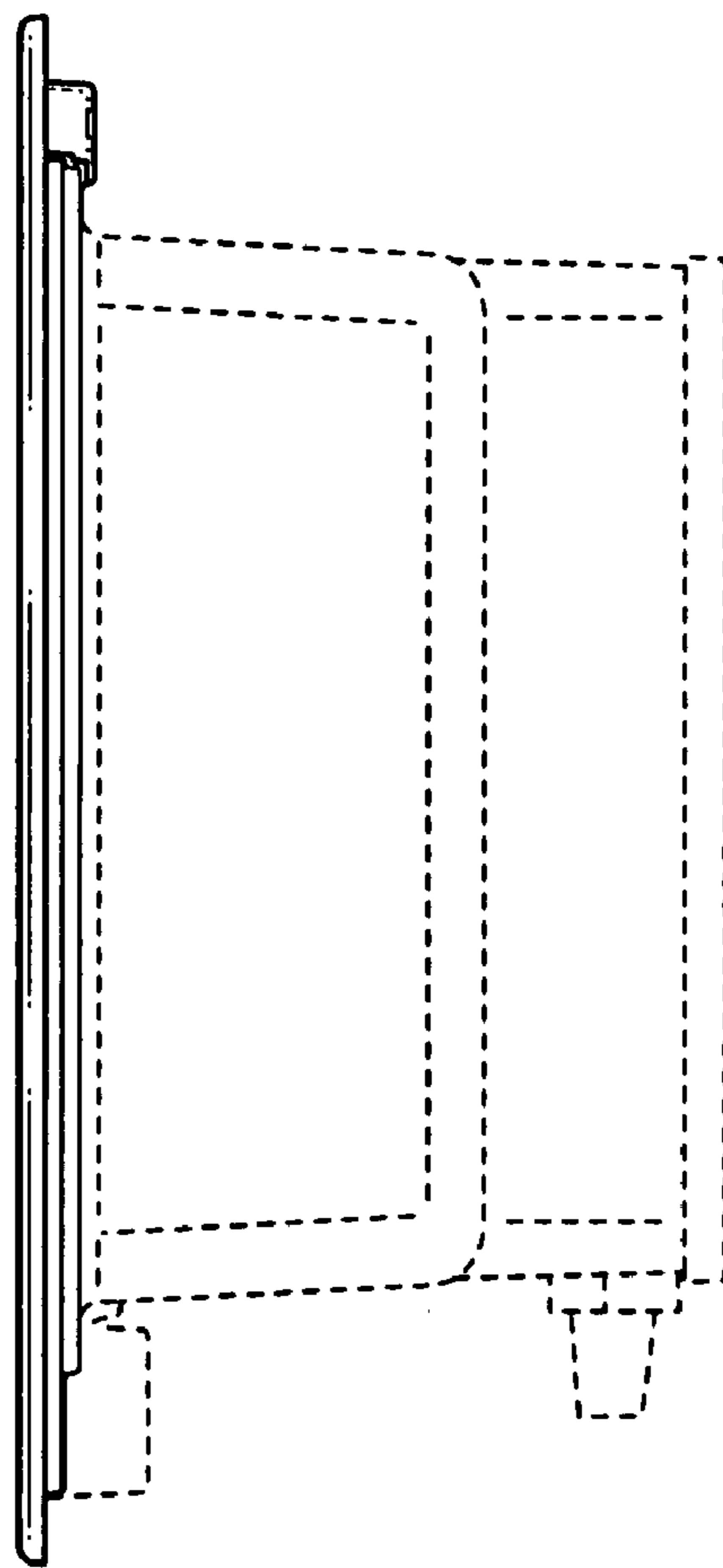


FIG. 12

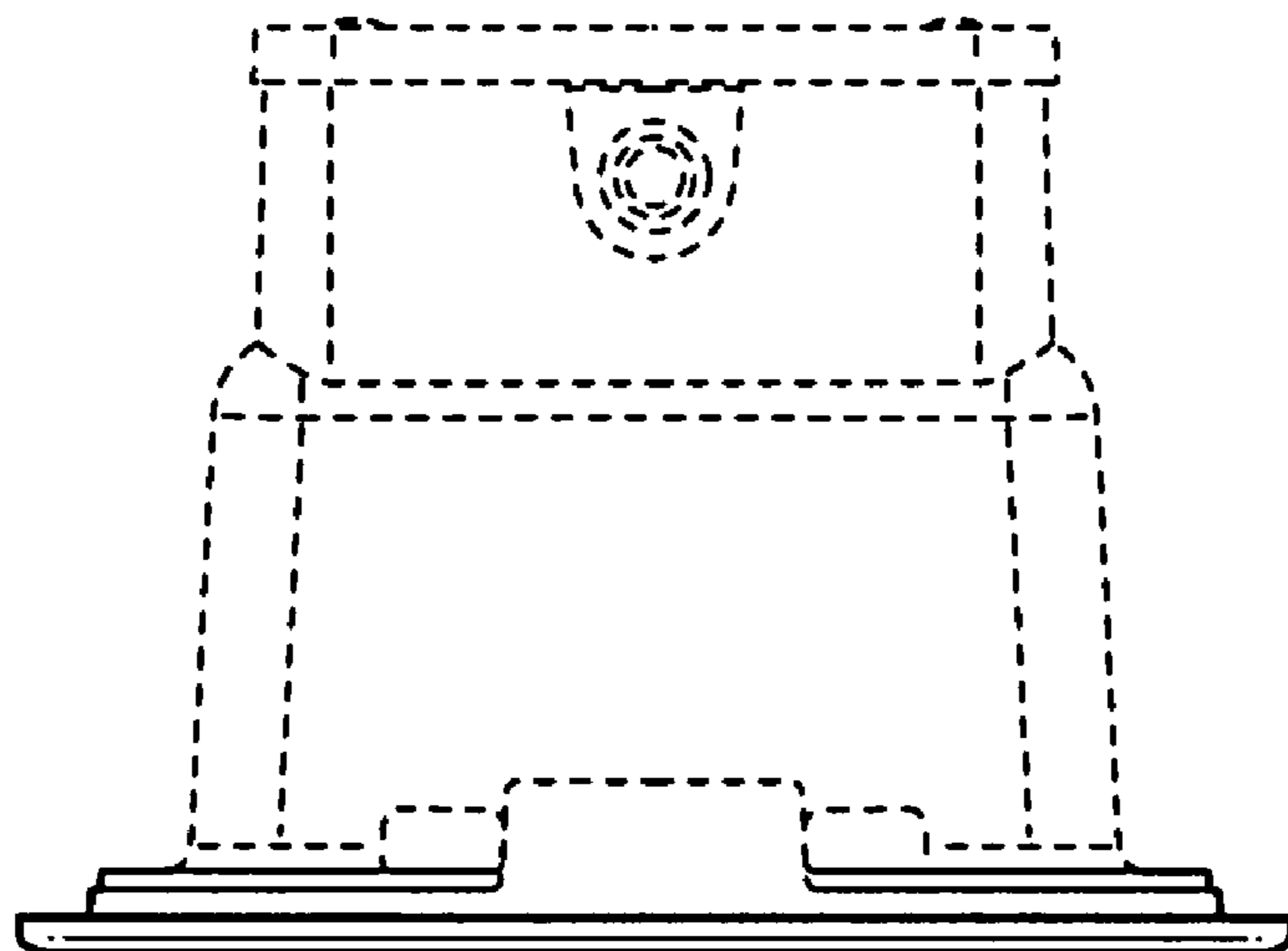


FIG. 13

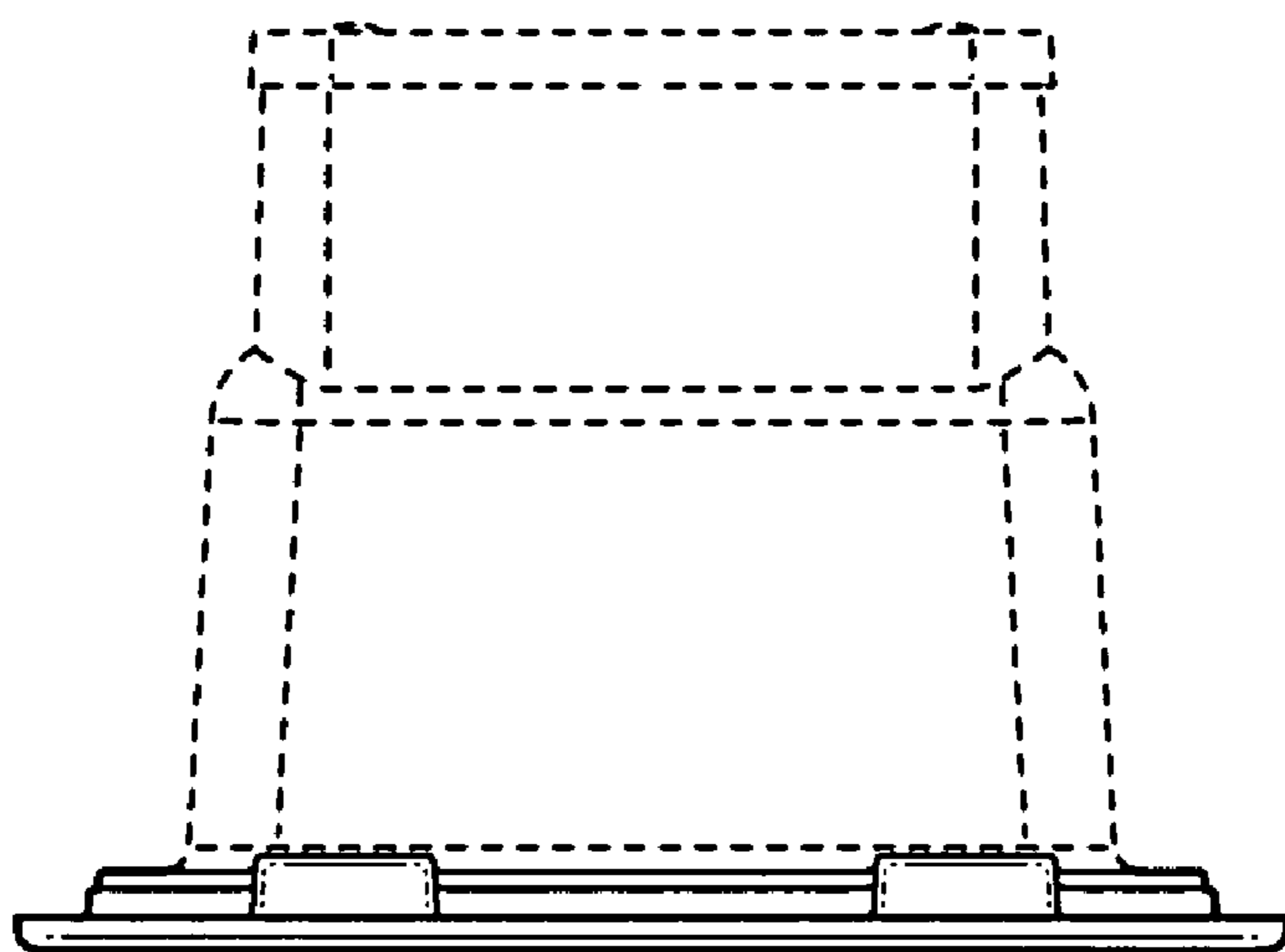


FIG. 14

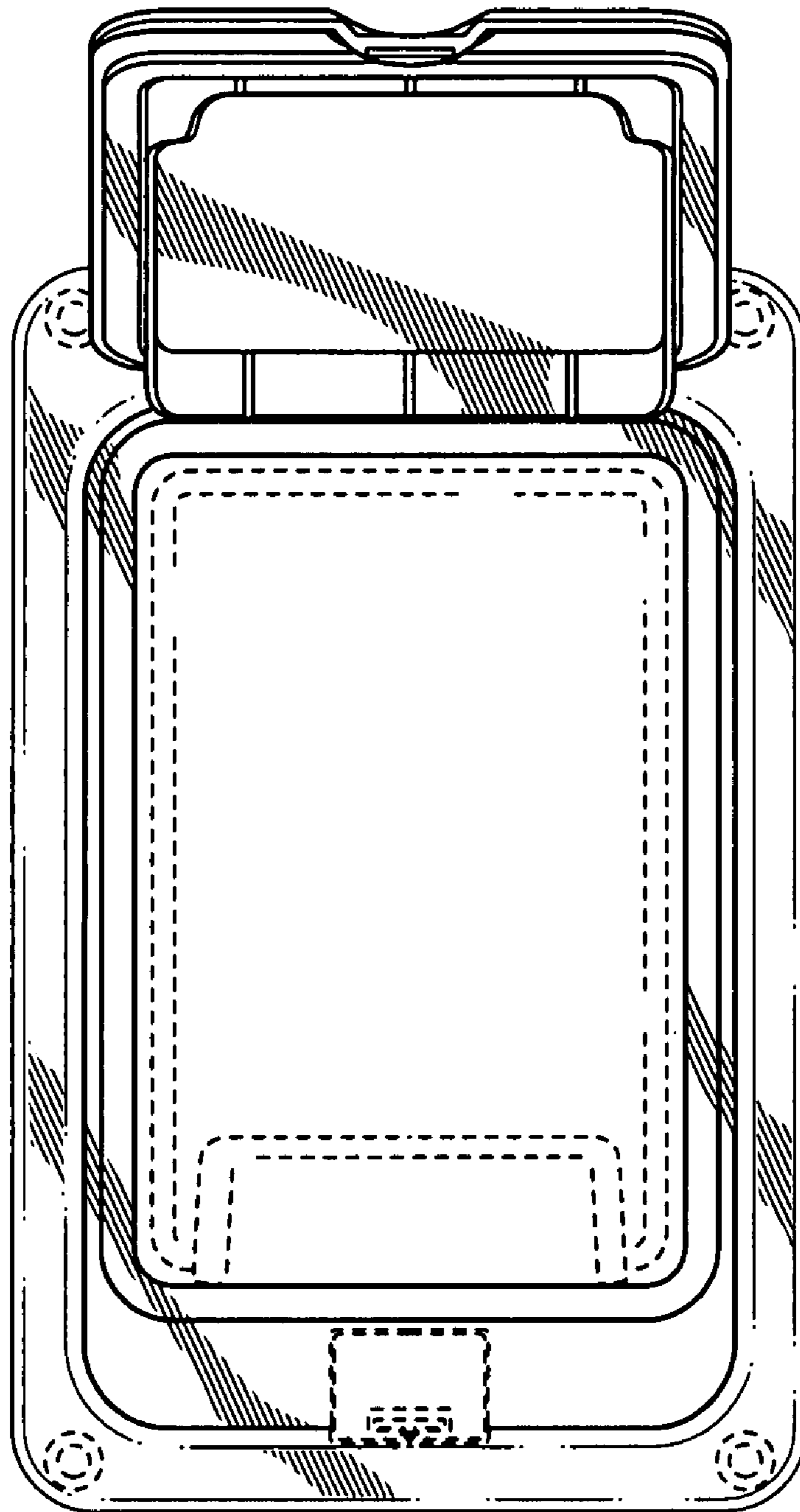


FIG. 15

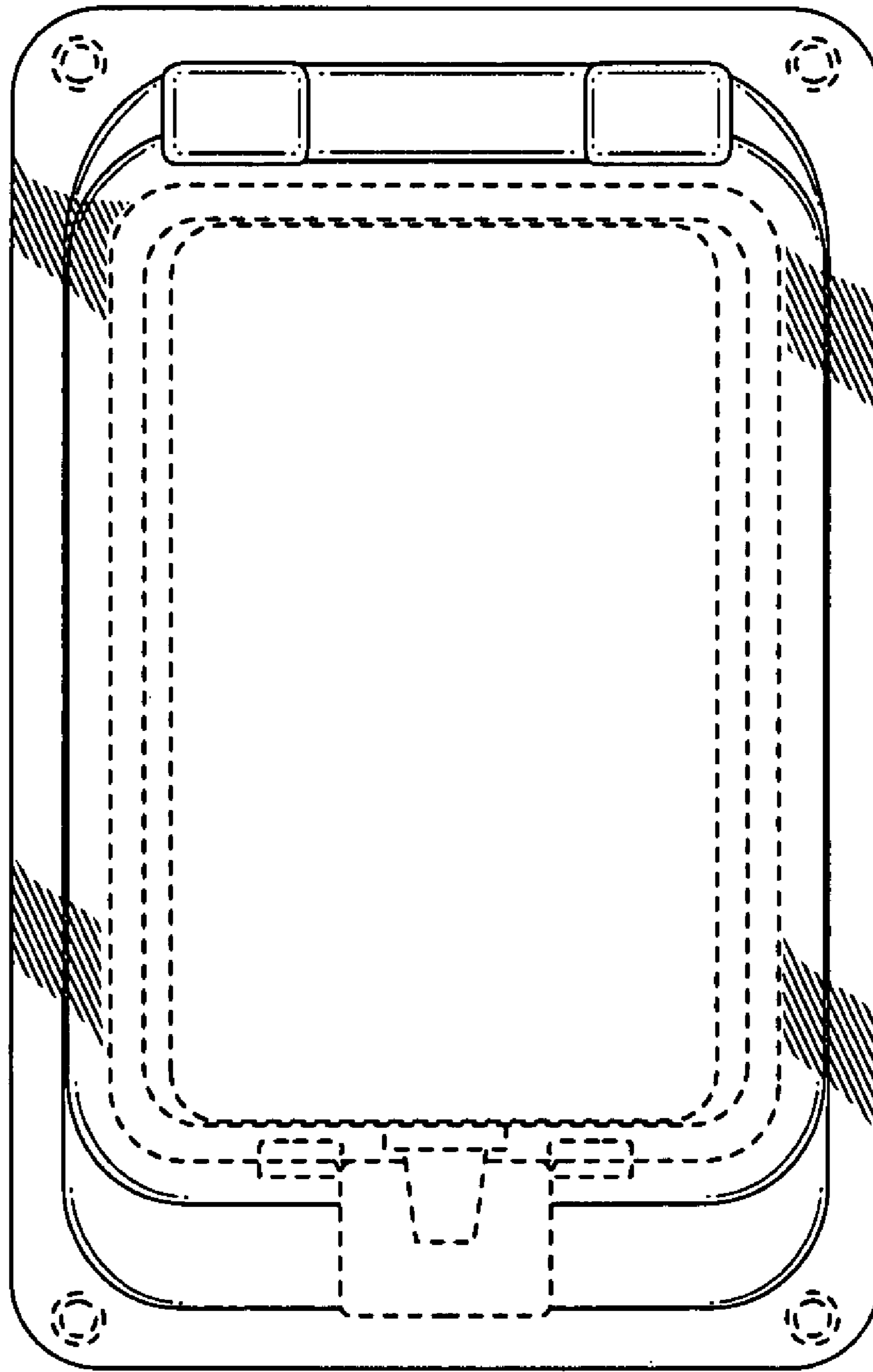


FIG. 16

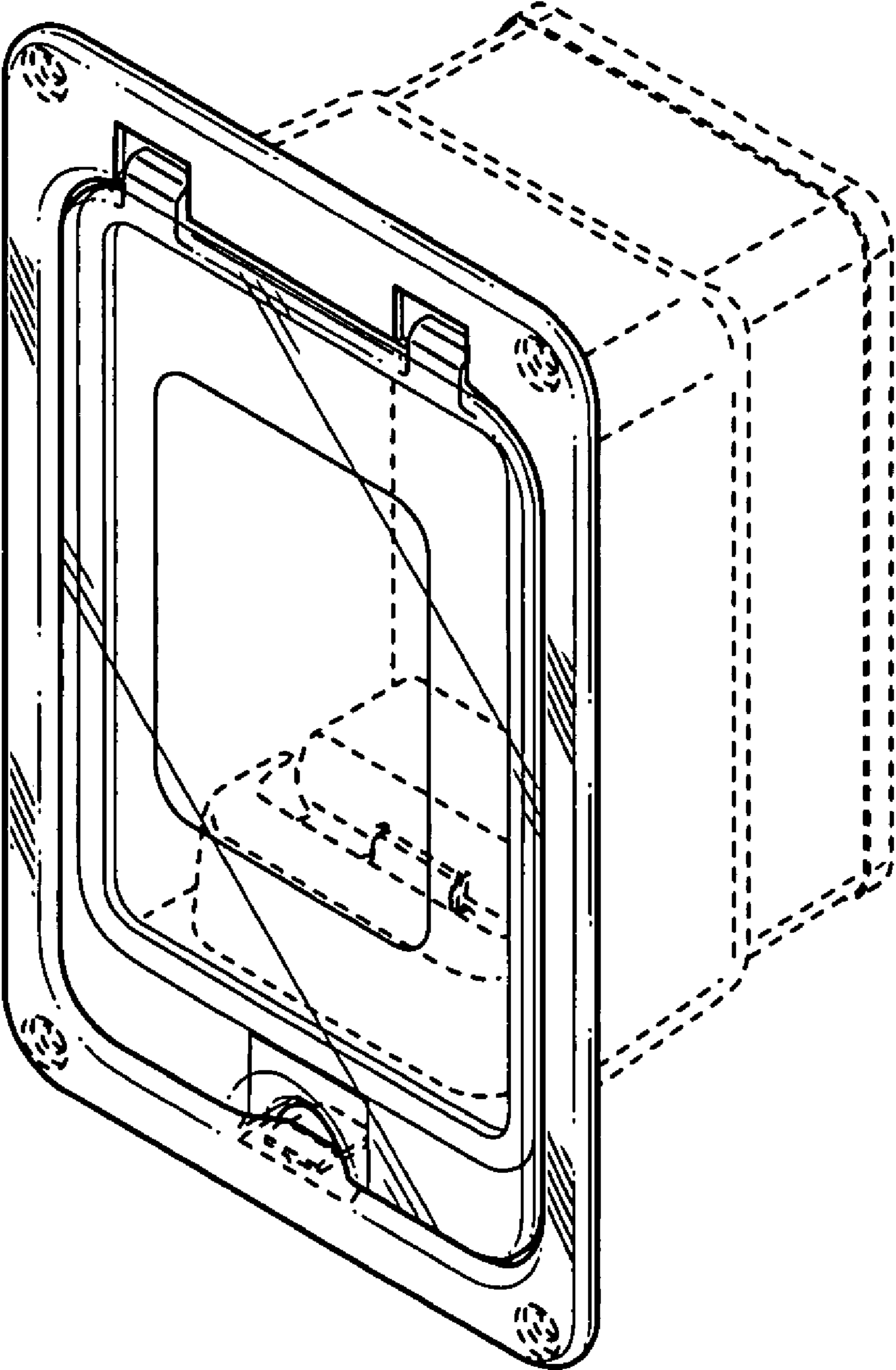


FIG. 17

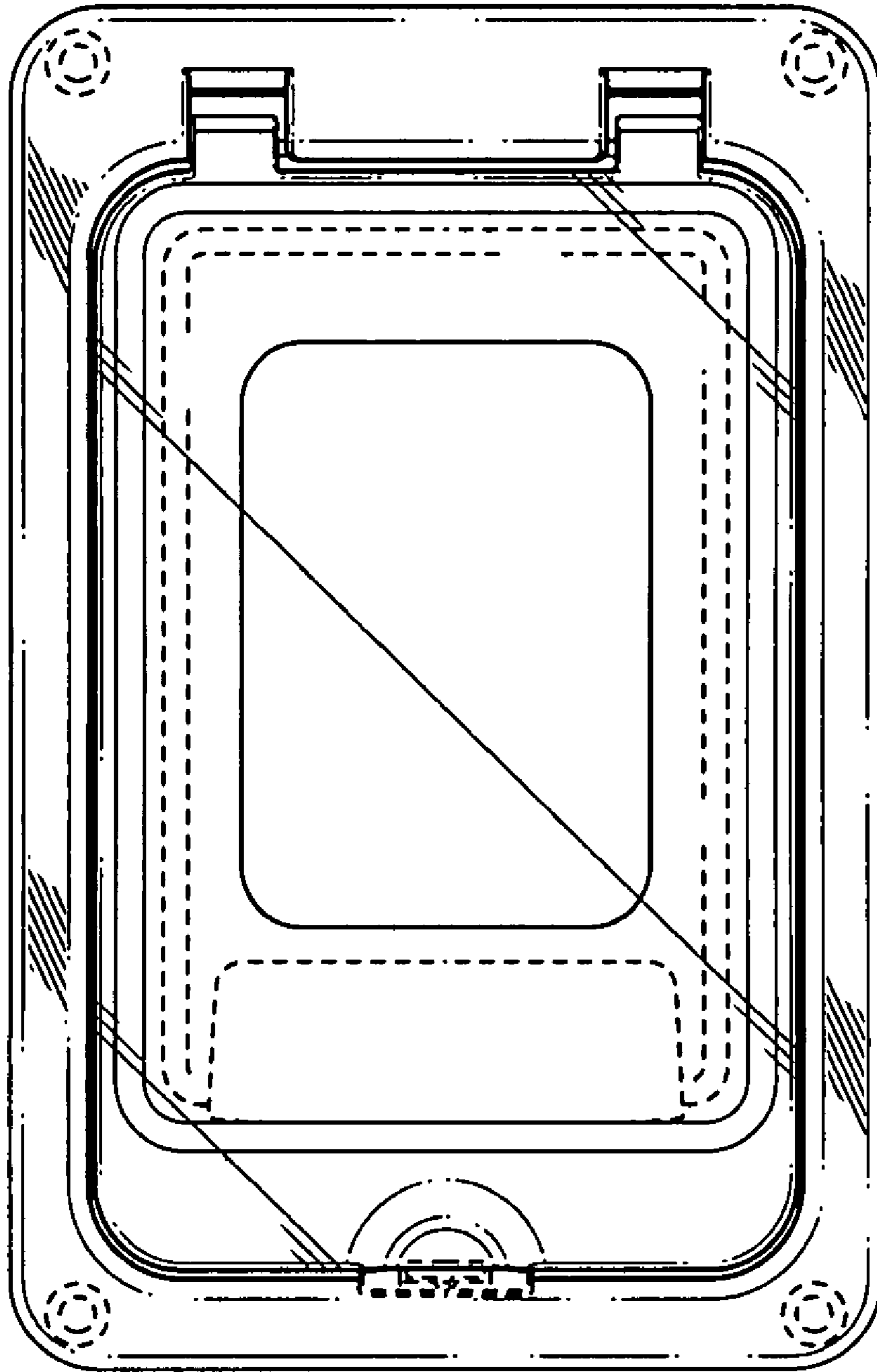


FIG. 18

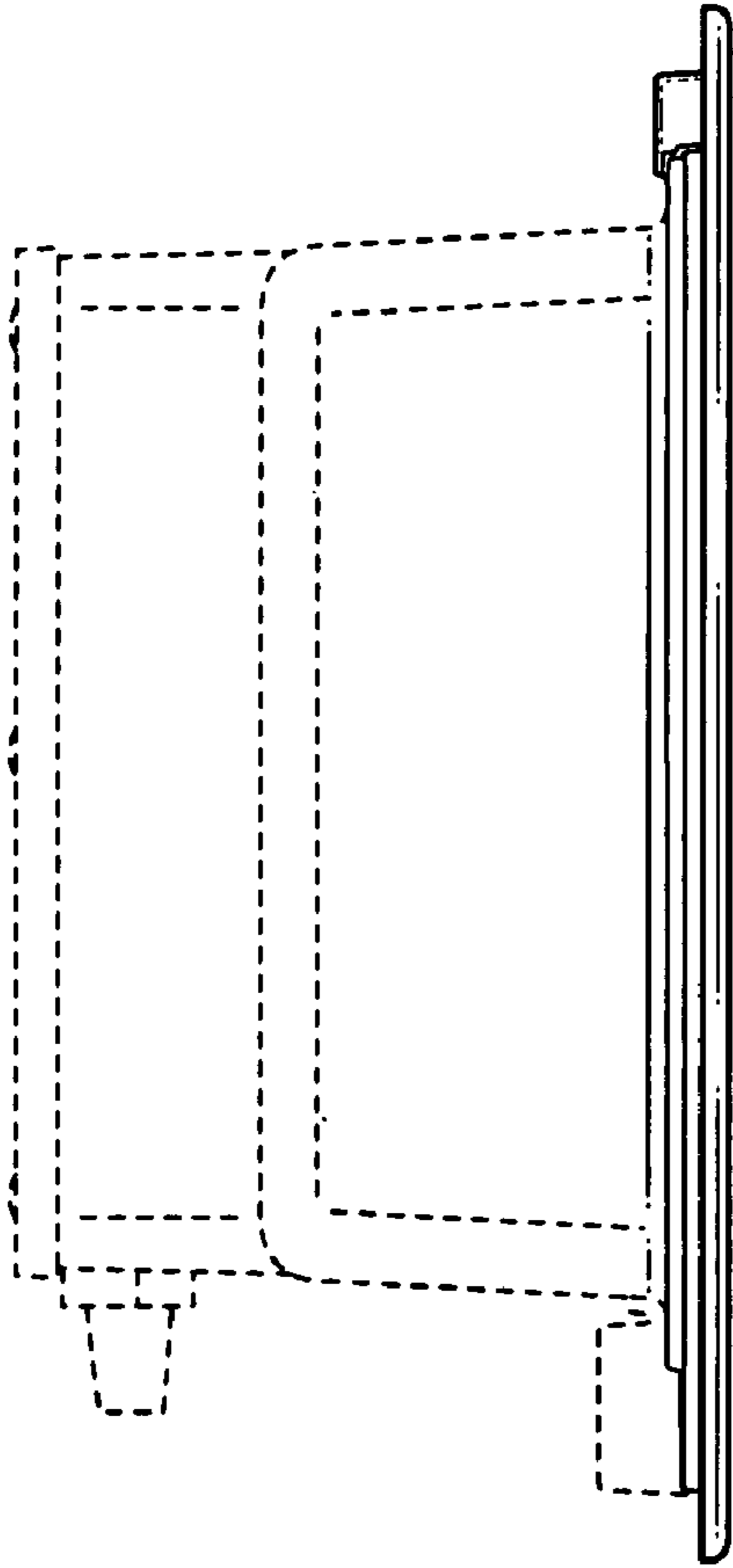


FIG. 19

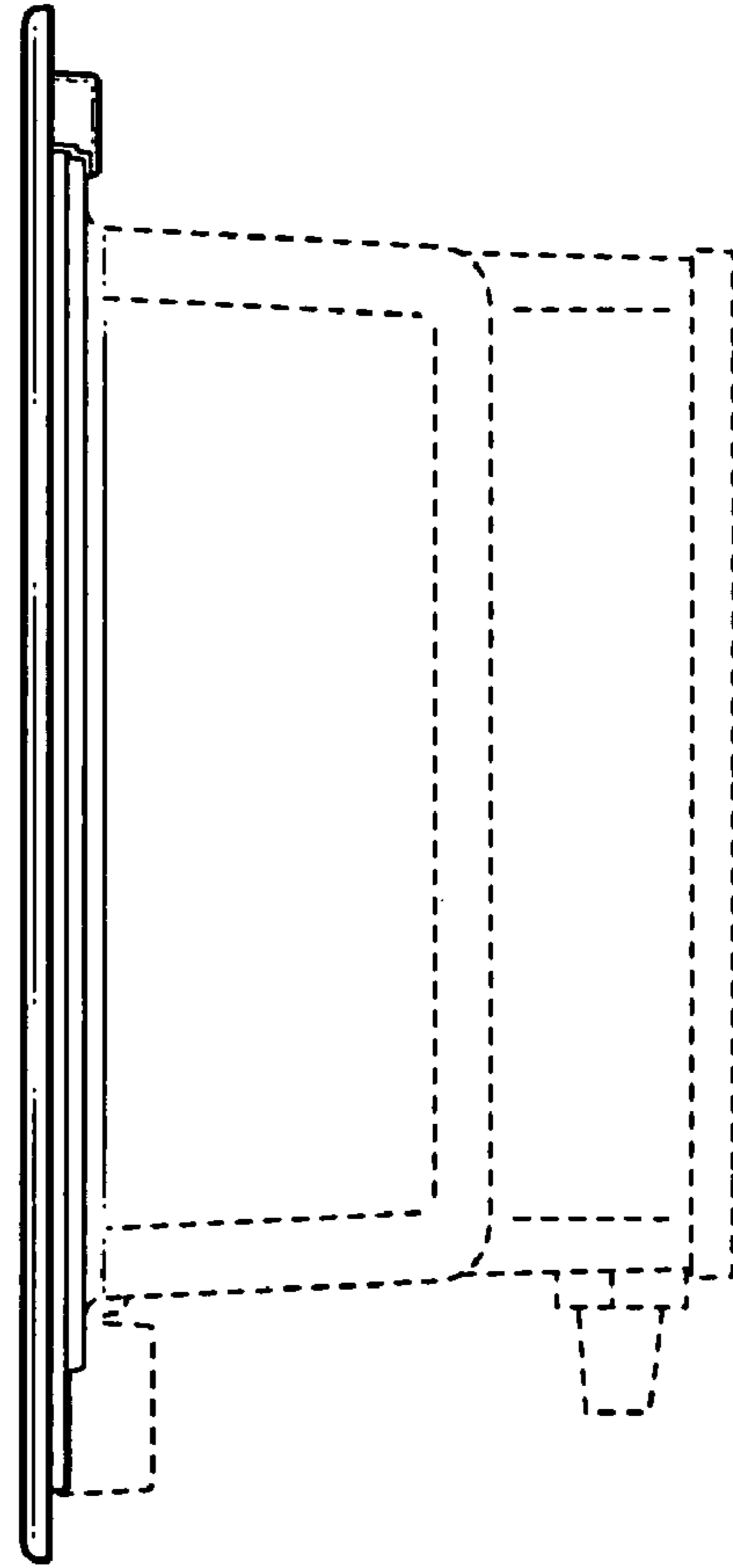


FIG. 20

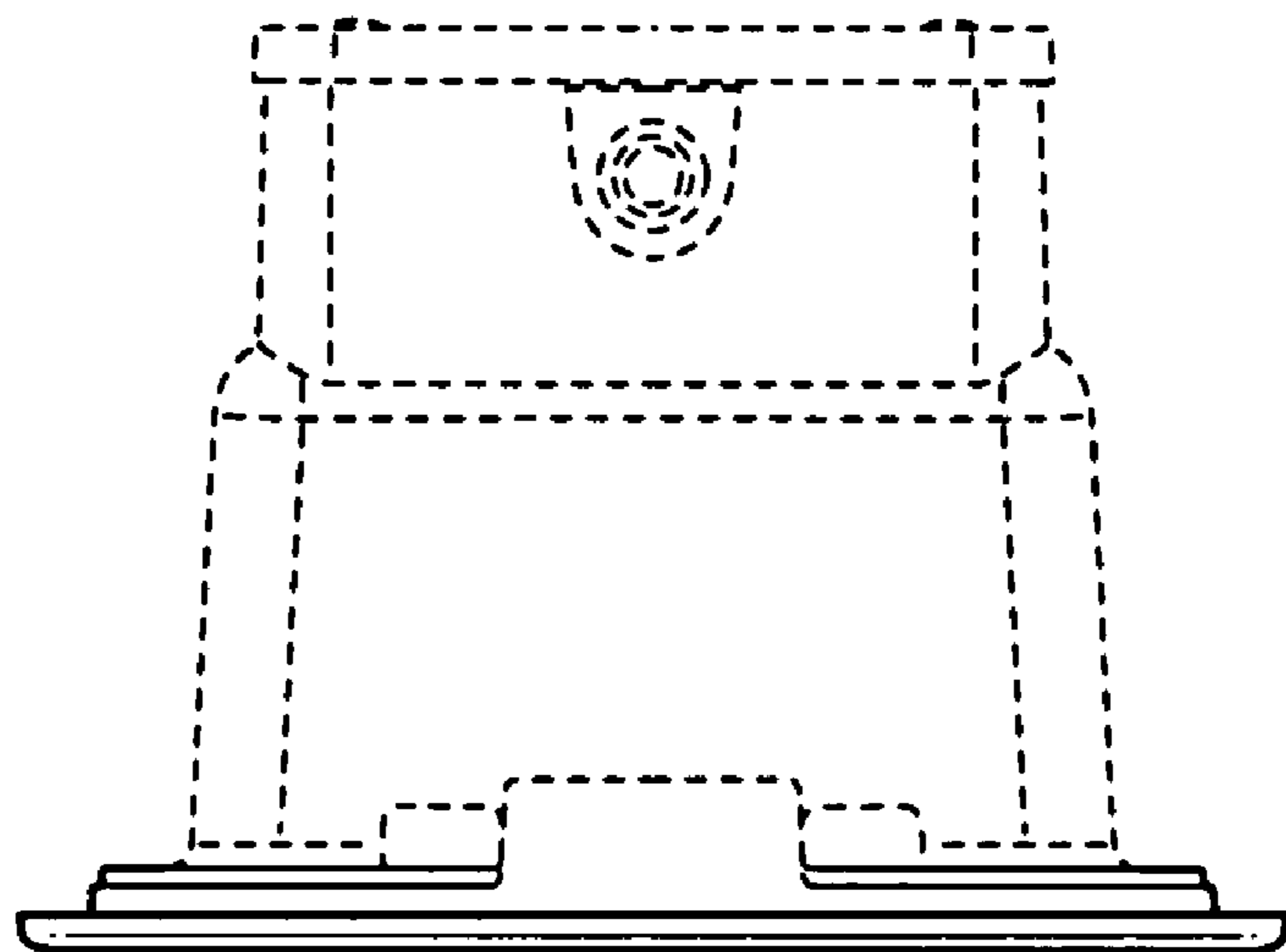


FIG. 21

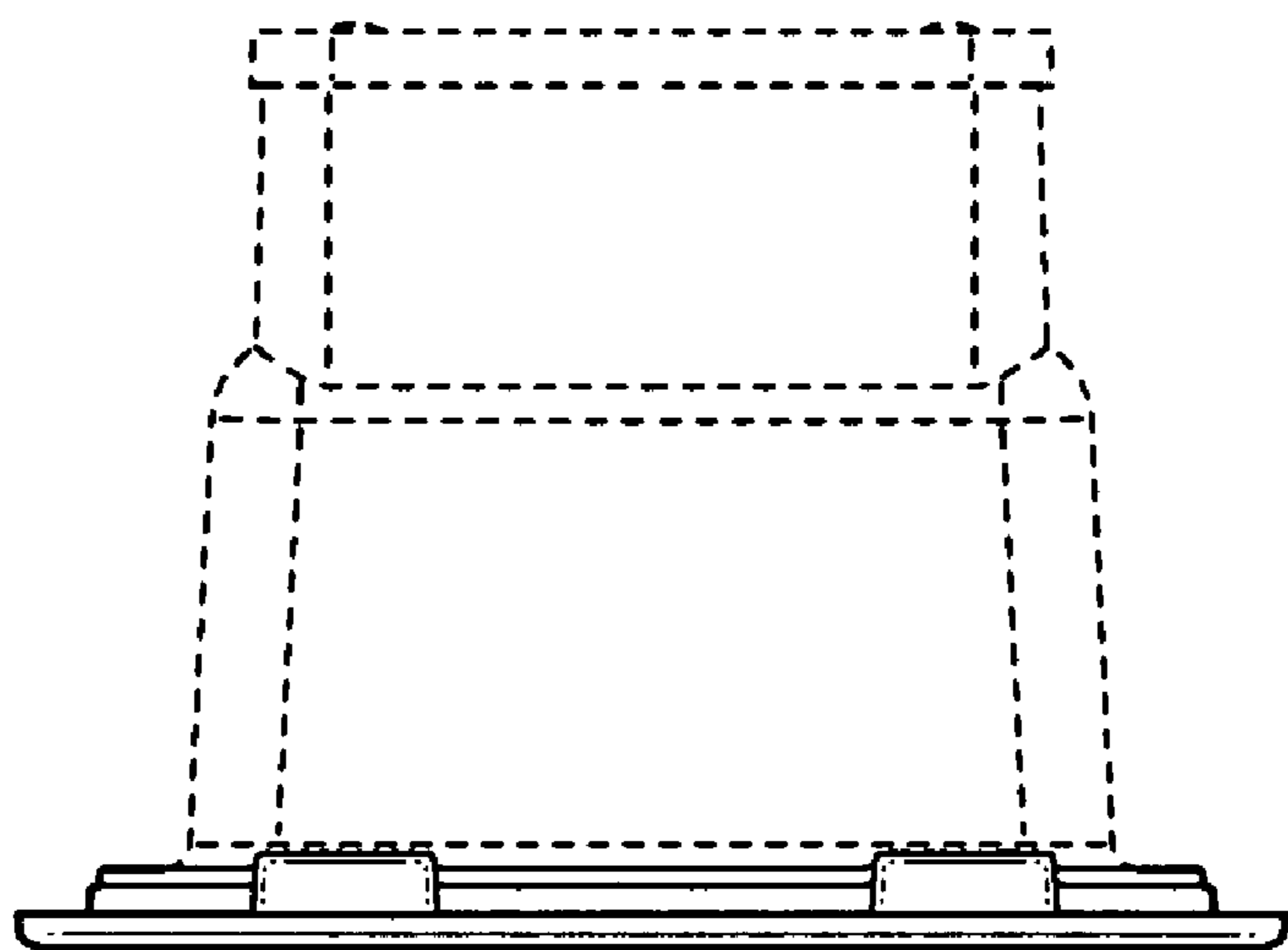


FIG. 22

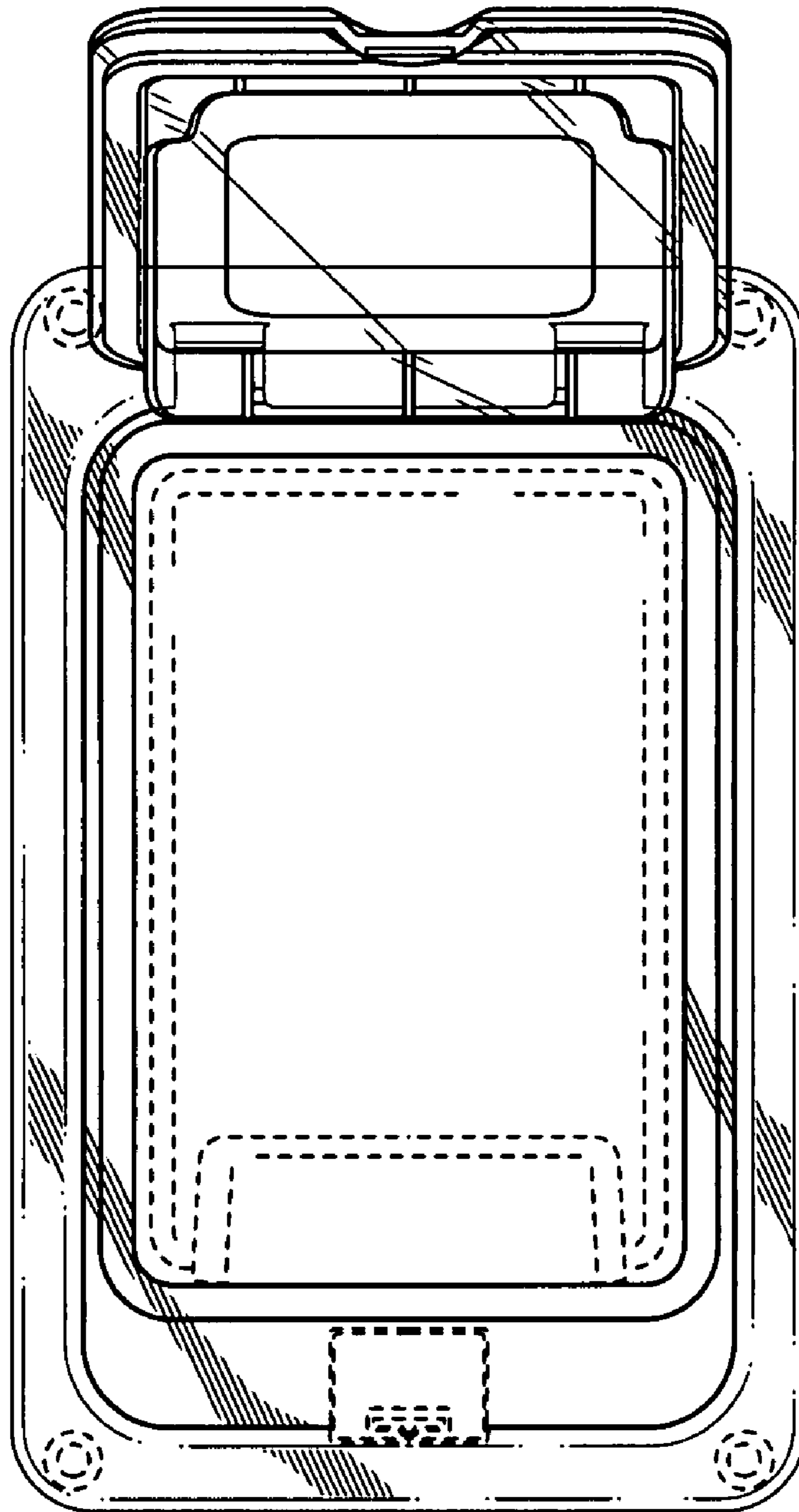


FIG. 23

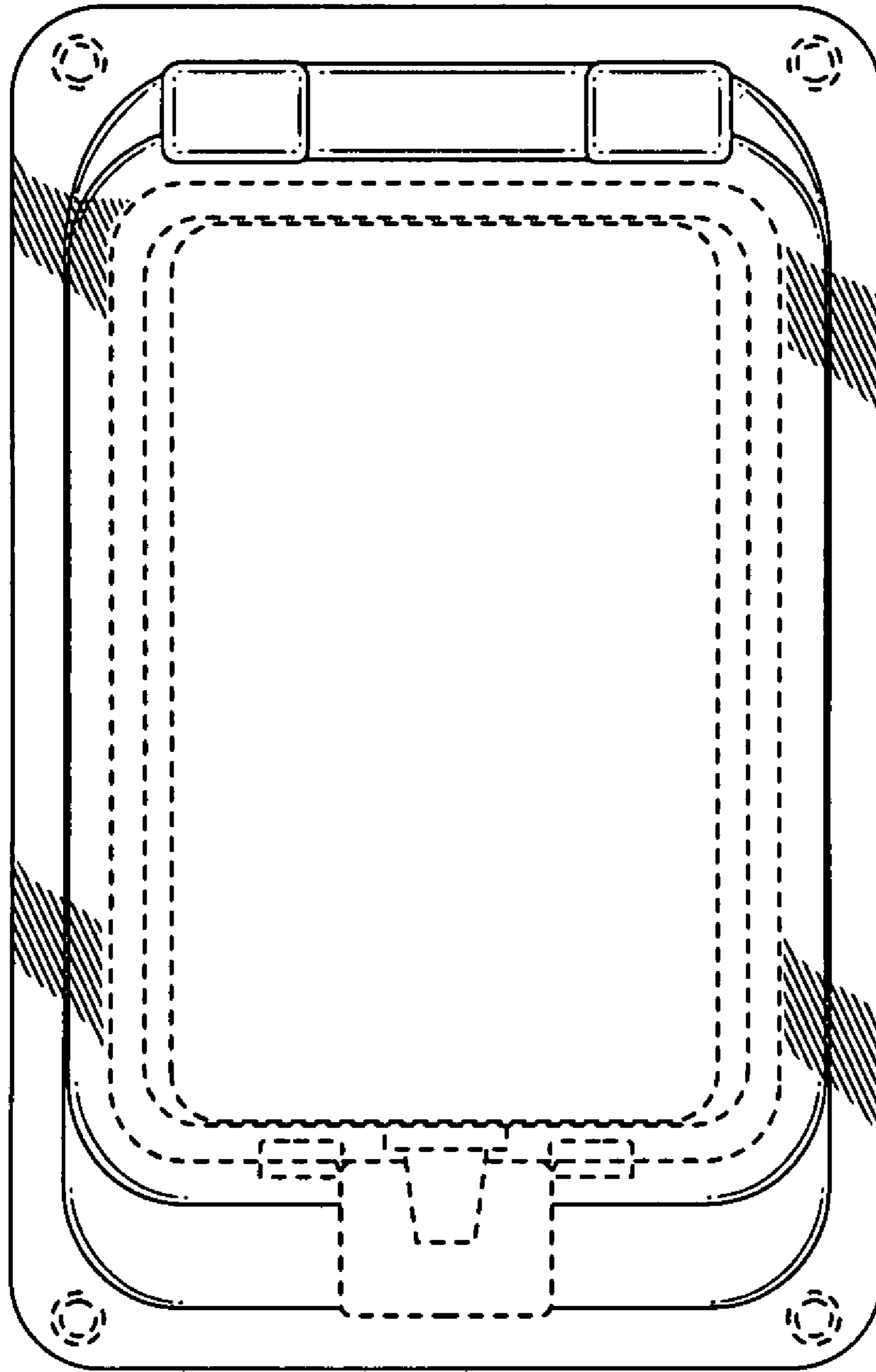


FIG. 24