



US00D586786S

(12) **United States Design Patent**
Monaghan

(10) **Patent No.:** **US D586,786 S**

(45) **Date of Patent:** **** Feb. 17, 2009**

(54) **TWEETER FACEPLATE**

(75) Inventor: **Jeffrey O. Monaghan**, Coral Springs,
FL (US)

(73) Assignee: **Niles Audio Corporation**, Miami, FL
(US)

(**) Term: **14 Years**

(21) Appl. No.: **29/283,024**

(22) Filed: **Aug. 3, 2007**

(51) **LOC (9) Cl.** **14-01**

(52) **U.S. Cl.** **D14/216**

(58) **Field of Classification Search** D14/204,
D14/209–216, 219–222; 181/143–144, 147–148,
181/150, 157, 198–199, 151, 153; 381/300–302,
381/306, 333, 345, 361–364, 386–388, 332,
381/336

See application file for complete search history.

(56) **References Cited**

U.S. PATENT DOCUMENTS

D248,647 S * 7/1978 Nussdorfer D14/216

D442,945 S * 5/2001 Mahgerefteh D14/221

D526,310 S * 8/2006 Pantaleone D14/221

D529,899 S * 10/2006 Amada et al. D14/221

D535,979 S * 1/2007 Shing D14/219

* cited by examiner

Primary Examiner—Nanda Bondade

(74) *Attorney, Agent, or Firm*—Hogan & Hartson LLP

(57) **CLAIM**

The ornamental design for tweeter faceplate, substantially as shown and described.

DESCRIPTION

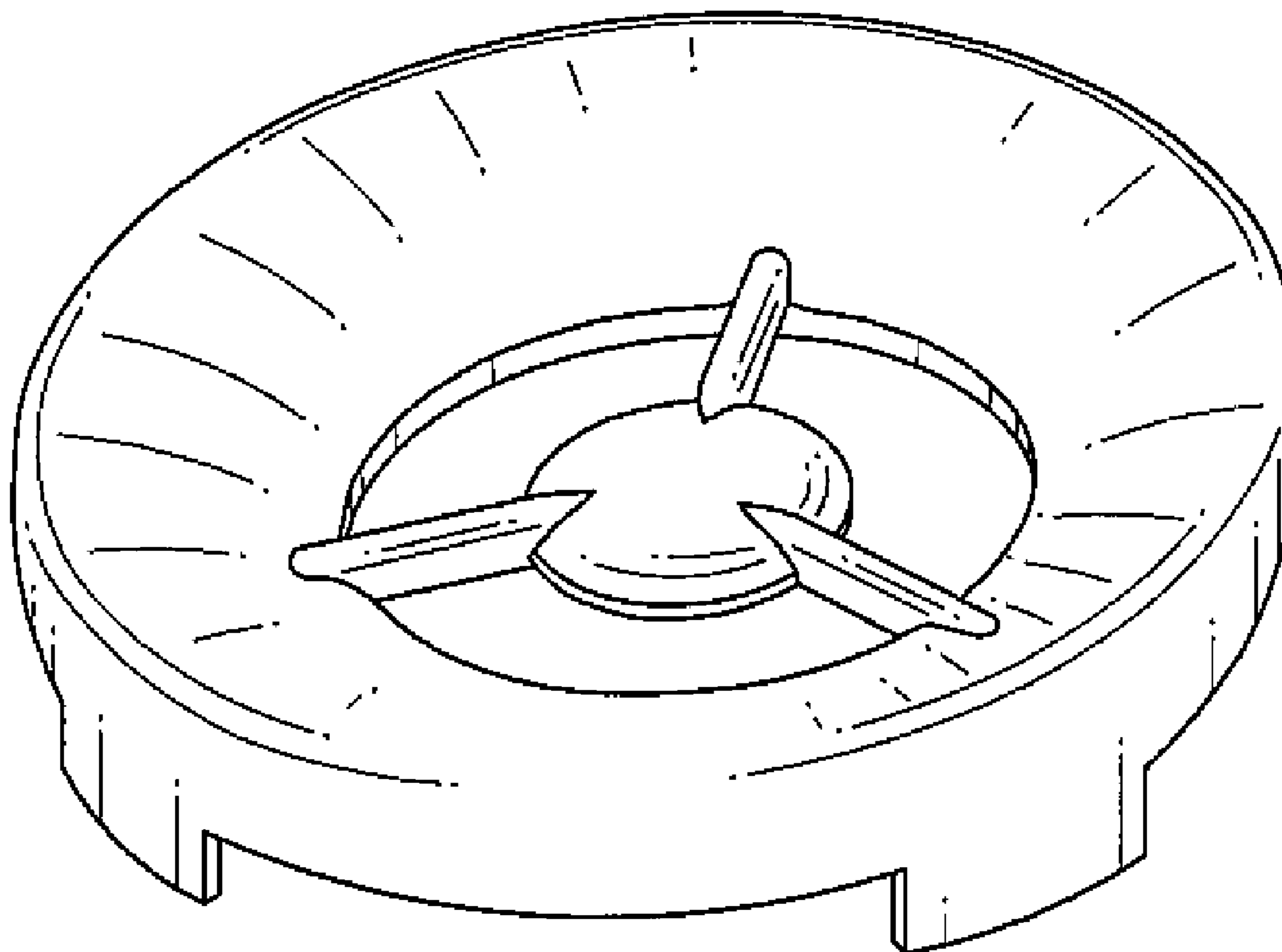
FIG. 1 is a top and side perspective view of a new design for tweeter faceplate.

FIG. 2 is a front elevational view thereof;

FIG. 3 is a rear elevational view thereof; and,

FIG. 4 is a side elevational view thereof.

1 Claim, 2 Drawing Sheets



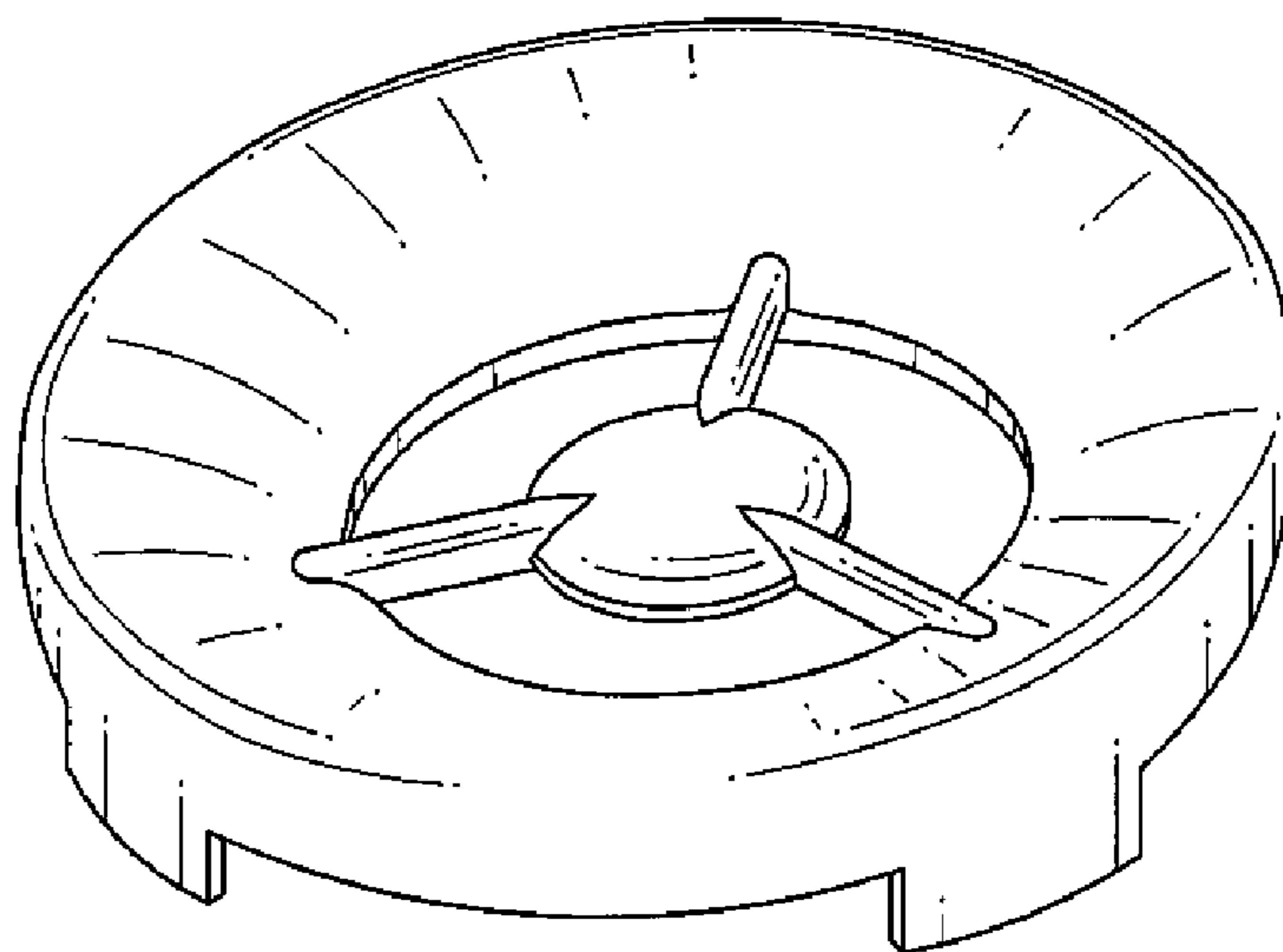


FIG. 1

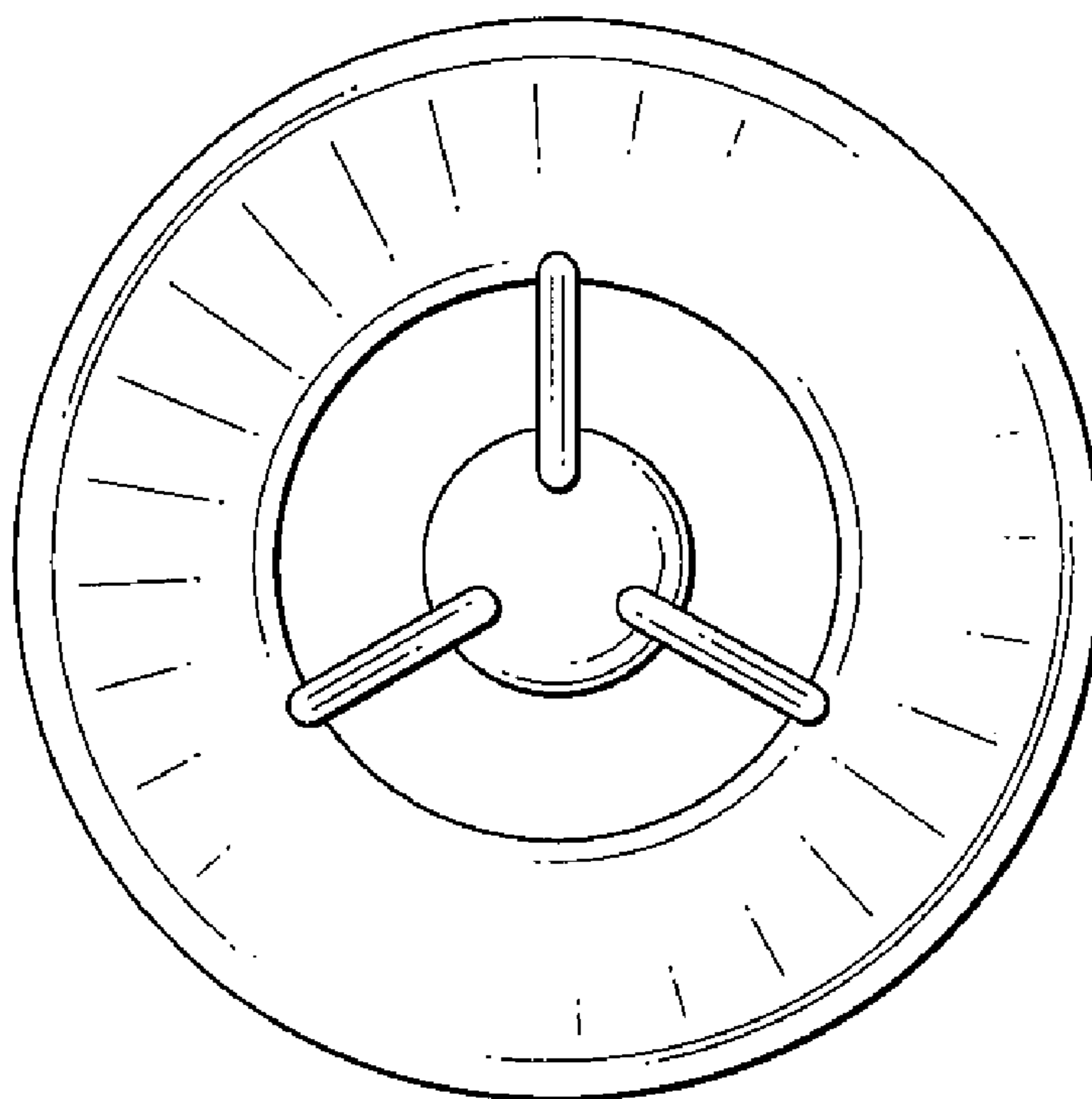


FIG. 2

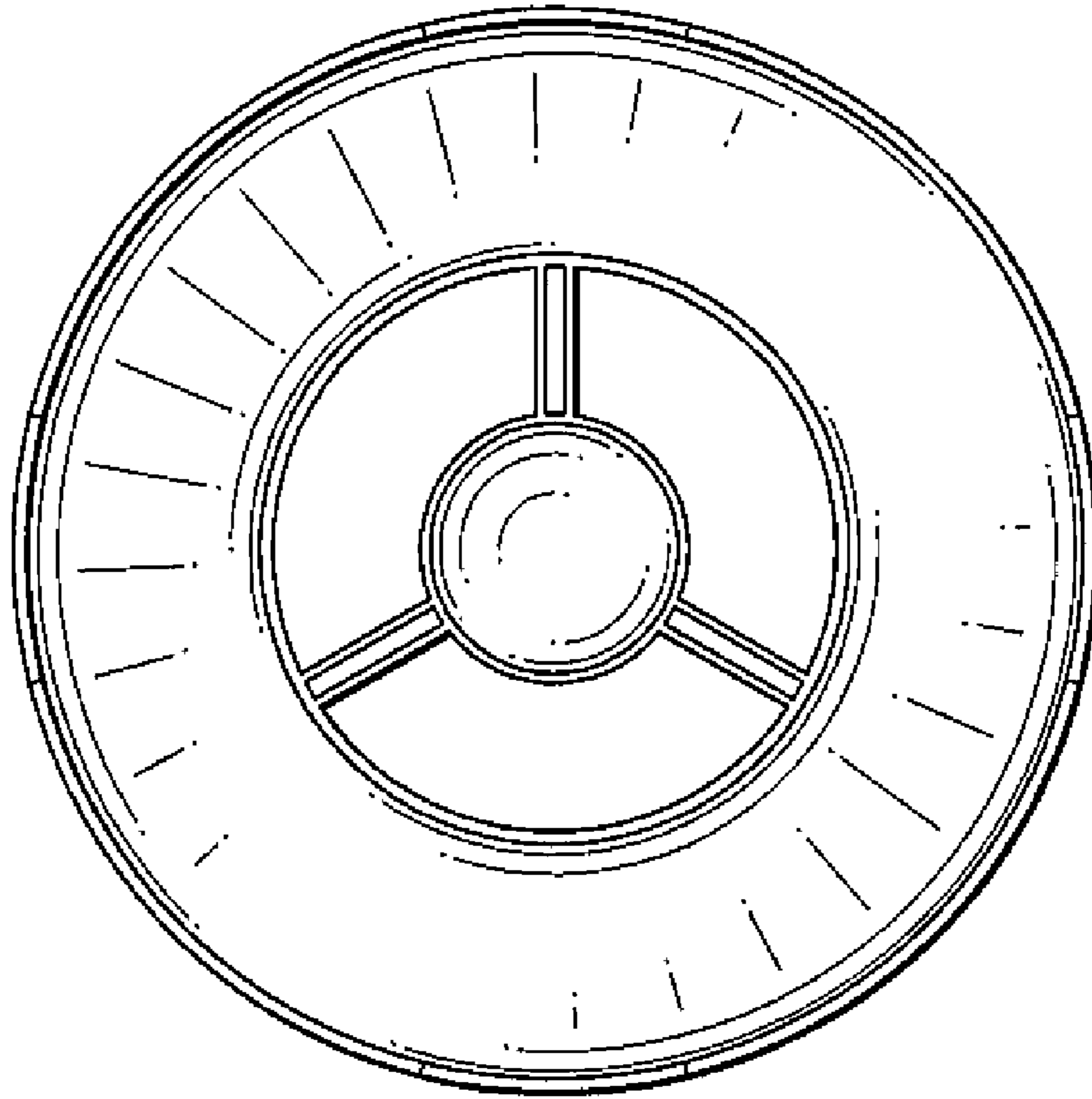


FIG. 3

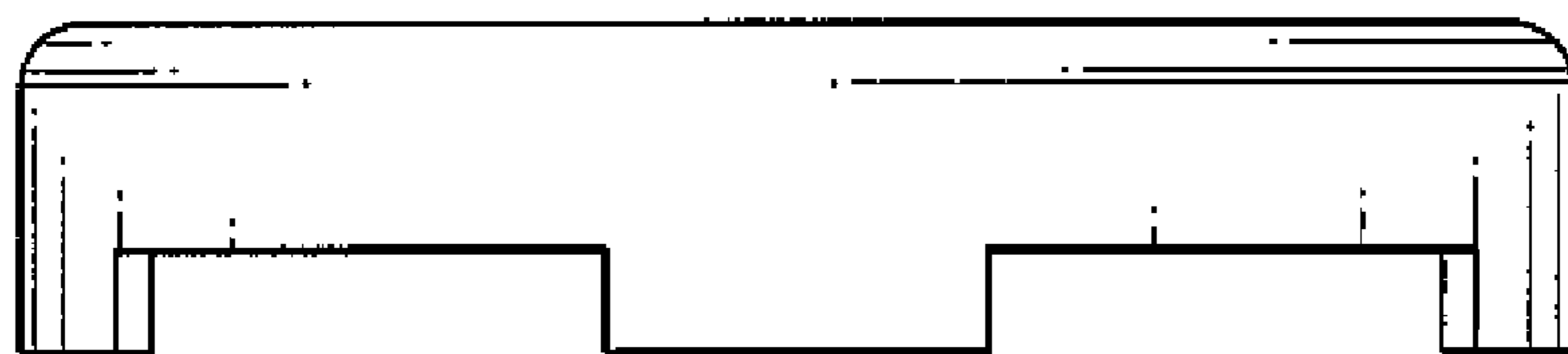


FIG. 4