



US00D586784S

(12) **United States Design Patent**
Sanguinetti

(10) **Patent No.:** **US D586,784 S**
(45) **Date of Patent:** **** Feb. 17, 2009**

(54) **LOUDSPEAKER**

(75) Inventor: **Alejandro Sanguinetti**, Helsinki (FI)

(73) Assignee: **Nokia Corporation**, Espoo (FI)

(**) Term: **14 Years**

(21) Appl. No.: **29/324,205**

(22) Filed: **Sep. 8, 2008**

Related U.S. Application Data

(62) Division of application No. 29/283,232, filed on Aug. 8, 2007, now Pat. No. Des. 576,606.

(30) **Foreign Application Priority Data**

Feb. 9, 2007 (FI) M20070033

(51) **LOC (9) Cl.** **14-01**

(52) **U.S. Cl.** **D14/214**

(58) **Field of Classification Search** D14/204,
D14/209–216, 162, 168, 171, 496, 172, 217;
181/143–144, 147–148, 150, 157, 198–199,
181/151, 153; 381/300–302, 306, 333, 345,
381/361–364, 386–388, 332, 336

See application file for complete search history.

(56) **References Cited**

U.S. PATENT DOCUMENTS

D430,135 S 8/2000 Isonaga

D501,194 S 1/2005 Kaestner et al.
D502,165 S * 2/2005 Ching D14/156
D522,080 S 5/2006 Shioda
D540,346 S * 4/2007 Jaakkola D14/496
D546,837 S * 7/2007 Yeo D14/496

* cited by examiner

Primary Examiner—Nanda Bondade
(74) *Attorney, Agent, or Firm*—Banner & Witcoff, Ltd.

(57) **CLAIM**

The ornamental design for a loudspeaker, as shown and described.

DESCRIPTION

FIG. 1 is a front view of a loudspeaker showing my new design;

FIG. 2 is a perspective view thereof;

FIG. 3 is a bottom view thereof; and,

FIG. 4 is a rear view thereof.

The broken line showing of the remainder of the loudspeaker in FIGS. 1–4 is for illustrative purposes only and forms no part of the claimed design.

1 Claim, 2 Drawing Sheets

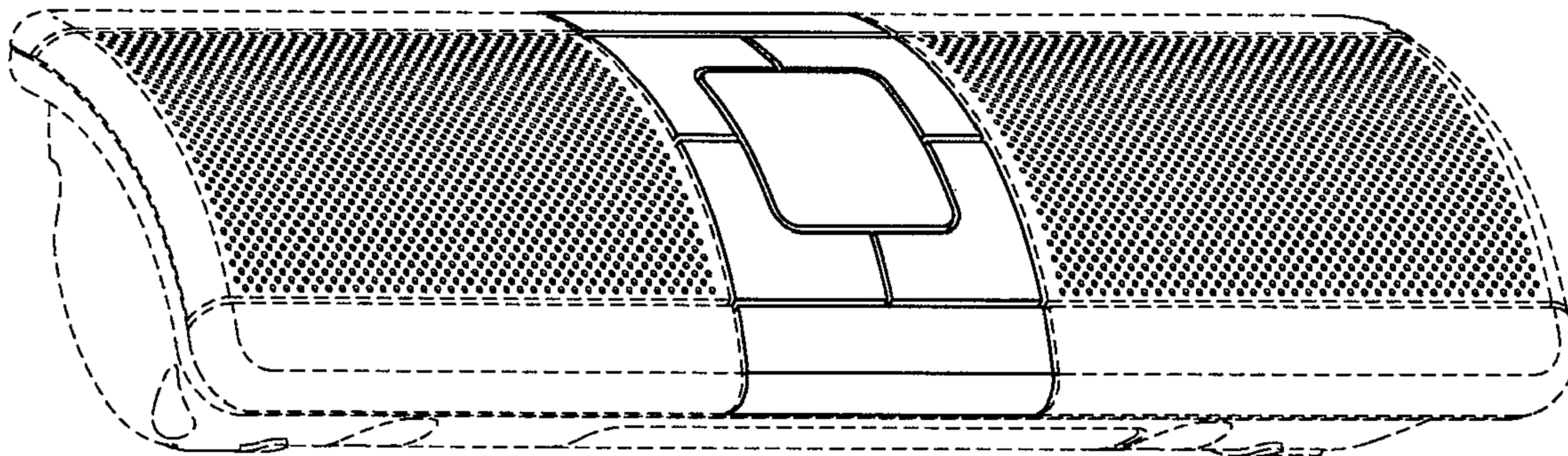


FIG. 1

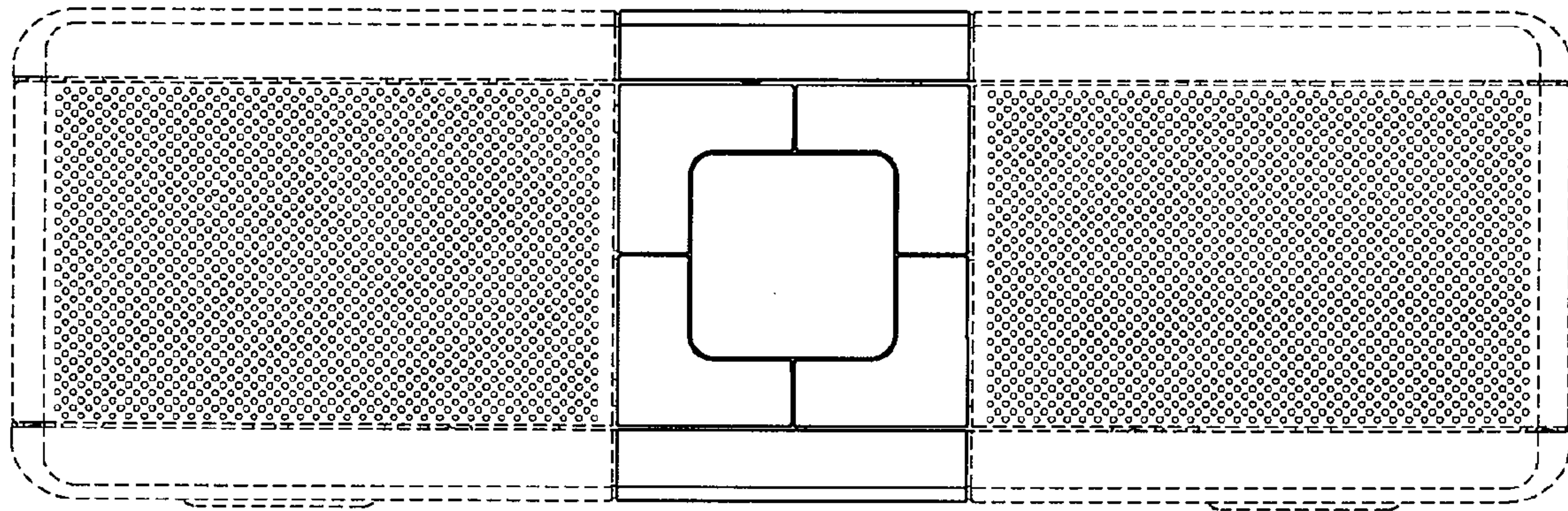


FIG. 2

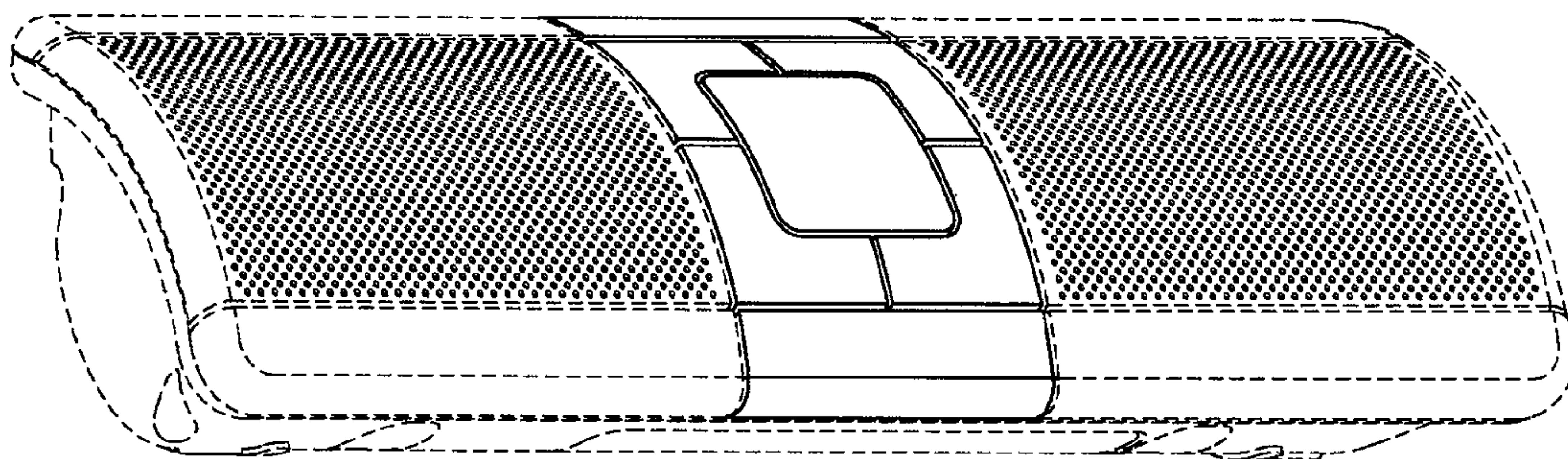


FIG. 3

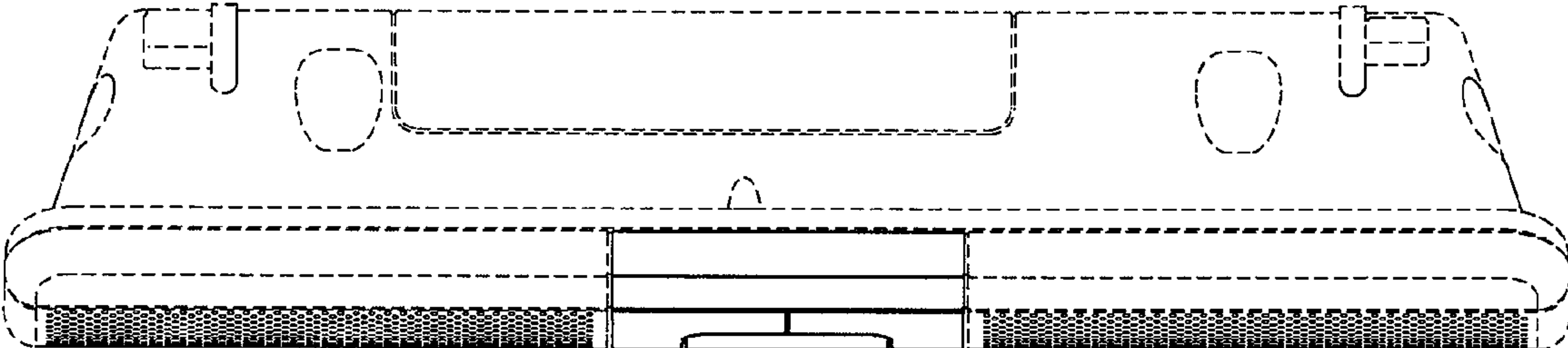


FIG. 4

