



US00D586780S

(12) **United States Design Patent**
Skurdal

(10) **Patent No.:** **US D586,780 S**

(45) **Date of Patent:** **** Feb. 17, 2009**

(54) **SPEAKER FOR DIGITAL MEDIA PLAYER**

D547,747 S * 7/2007 Allen D14/211

* cited by examiner

(75) Inventor: **Andrew Skurdal**, Jersey City, NJ (US)

Primary Examiner—Nanda Bondade

(73) Assignee: **SDI Technology, Inc.**, Rahway, NJ (US)

(74) *Attorney, Agent, or Firm*—Ostrolenk, Faber, Gerb & Soffen, LLP

(**) Term: **14 Years**

(57) **CLAIM**

(21) Appl. No.: **29/306,069**

The ornamental design for speaker for digital media player, as shown and described.

(22) Filed: **Apr. 1, 2008**

(51) **LOC (9) Cl.** **14-01**

(52) **U.S. Cl.** **D14/211; D14/216**

(58) **Field of Classification Search** D14/204,
D14/210–216, 172; 181/143–144, 147–148,
181/150–153, 157, 198–199; 381/300–303,
381/306, 322–333, 336, 345, 361–364, 386–388
See application file for complete search history.

DESCRIPTION

FIG. 1 is a top, front, right side, perspective view of a speaker for digital media player showing my new design;

FIG. 2 is a front view thereof;

FIG. 3 is a rear view thereof;

FIG. 4 is a left, side view thereof, the opposite side view being a mirror image;

FIG. 5 is a top view thereof; and,

FIG. 6 is a bottom view thereof.

The broken line showing on the drawing disclosure is for illustrative purposes only and forms no part of the claimed design.

(56) **References Cited**

U.S. PATENT DOCUMENTS

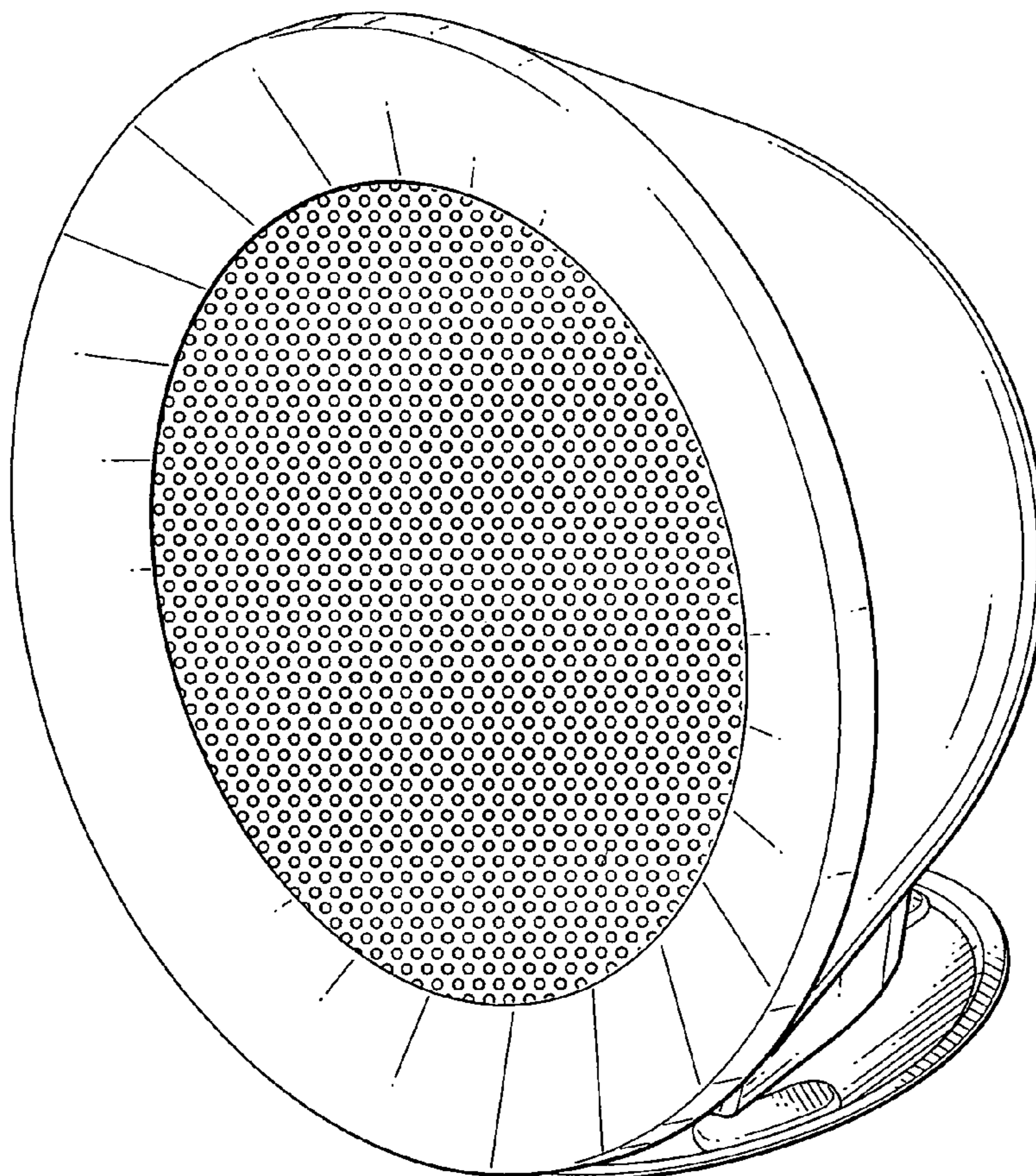
D362,442 S * 9/1995 Goldfarb D14/216

D440,557 S * 4/2001 Su D14/215

D450,051 S * 11/2001 Roh D14/215

D524,799 S * 7/2006 Hibi D14/216

1 Claim, 6 Drawing Sheets



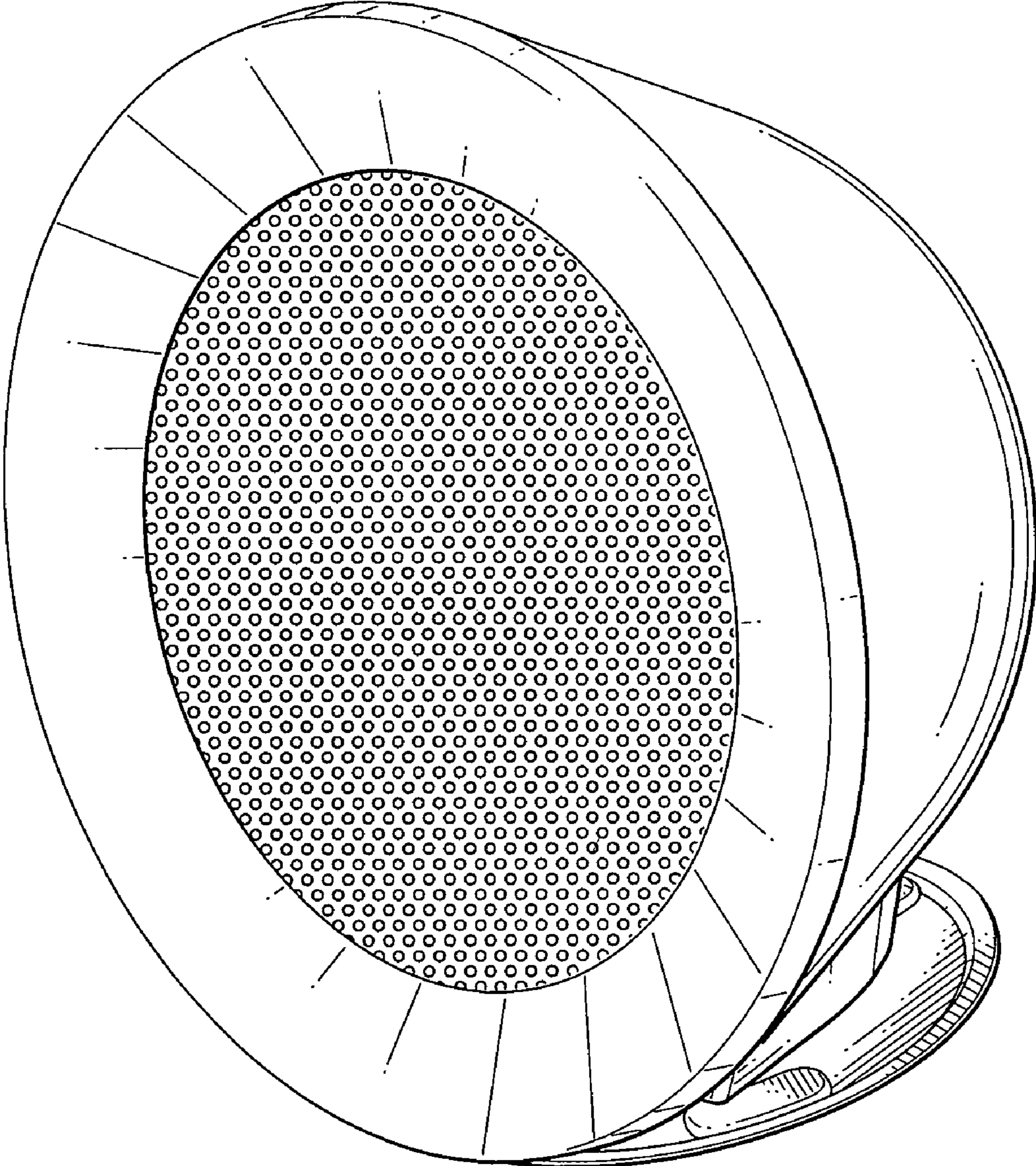


FIG. 1

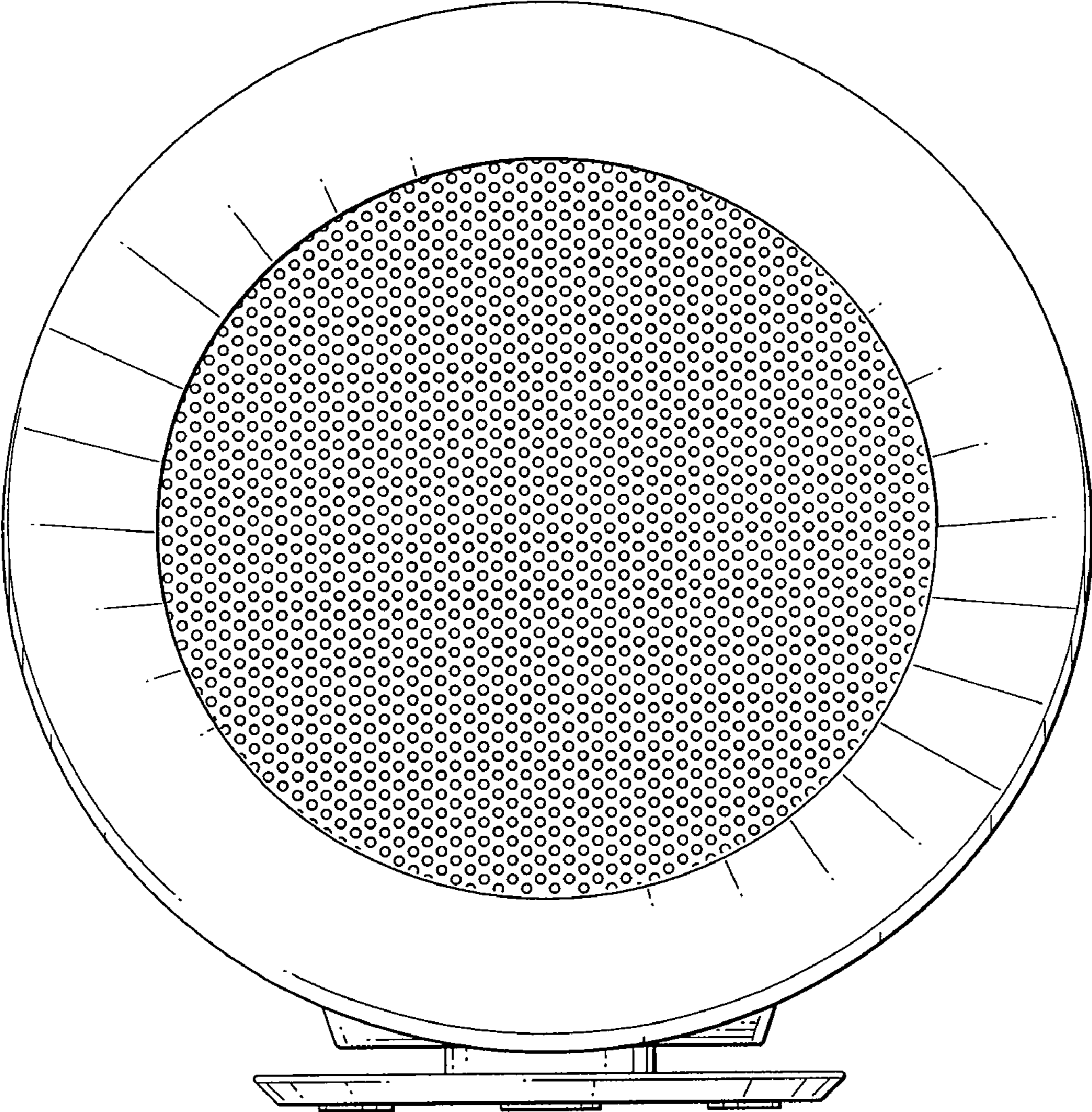


FIG. 2

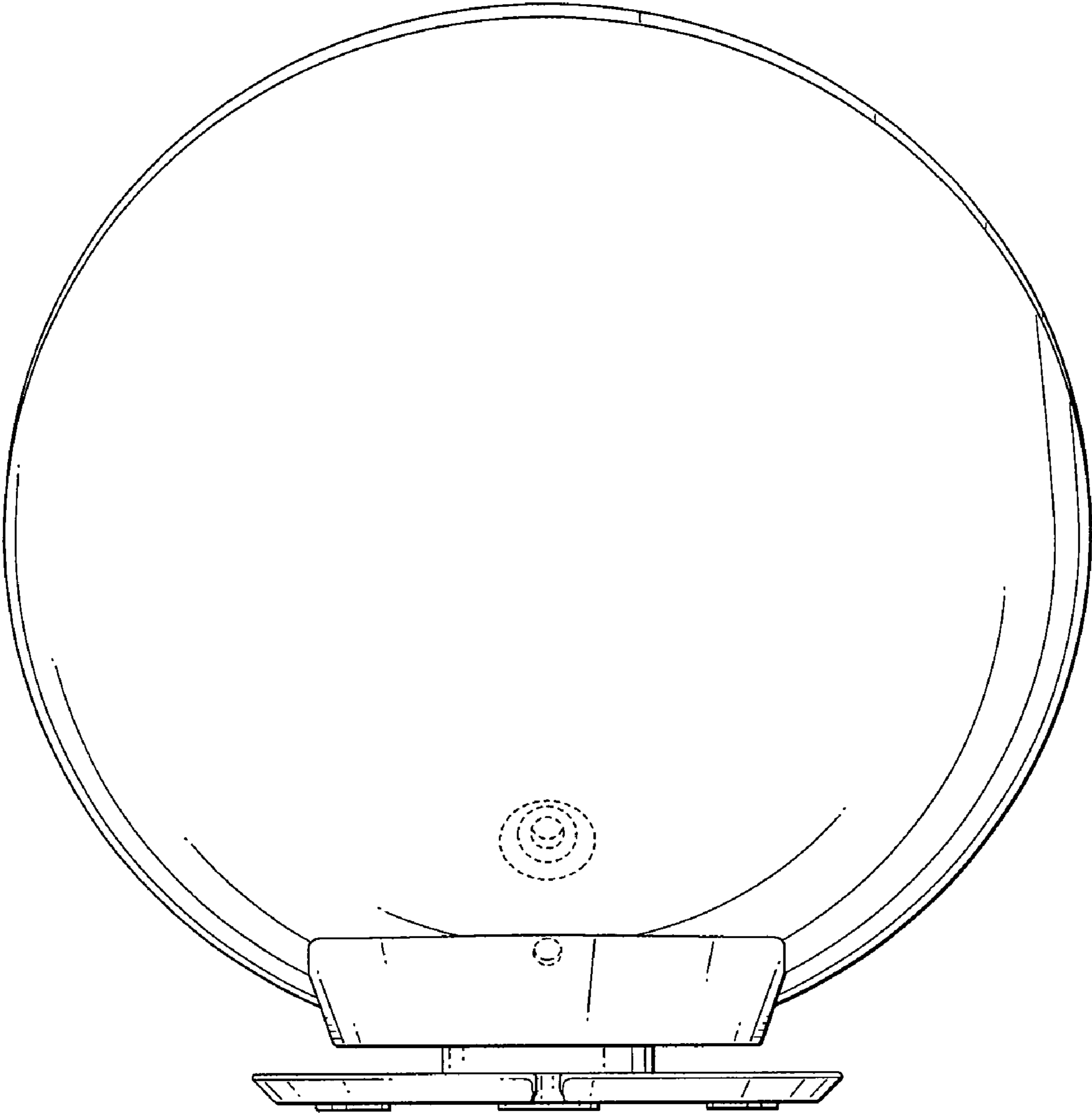


FIG. 3

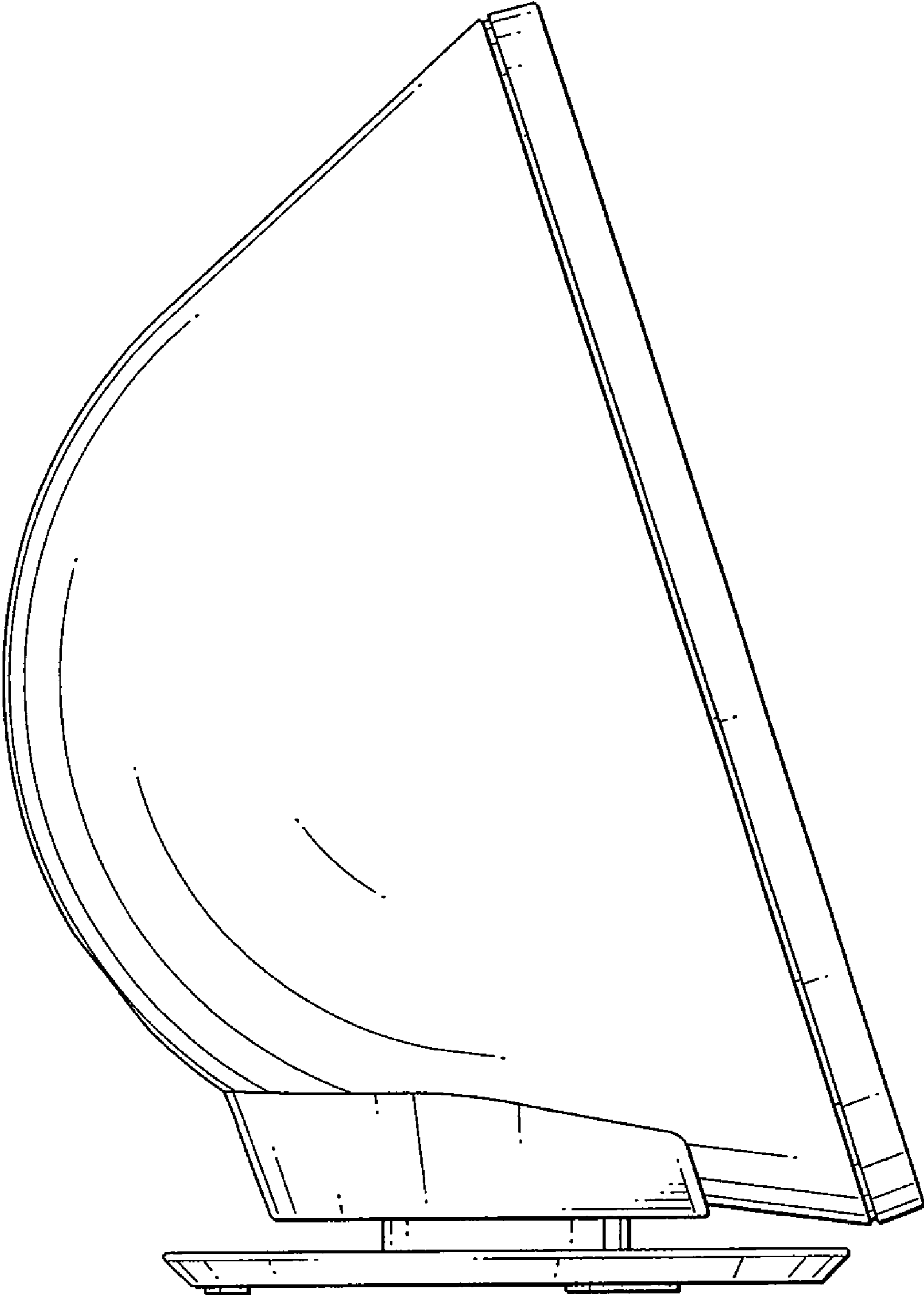


FIG. 4

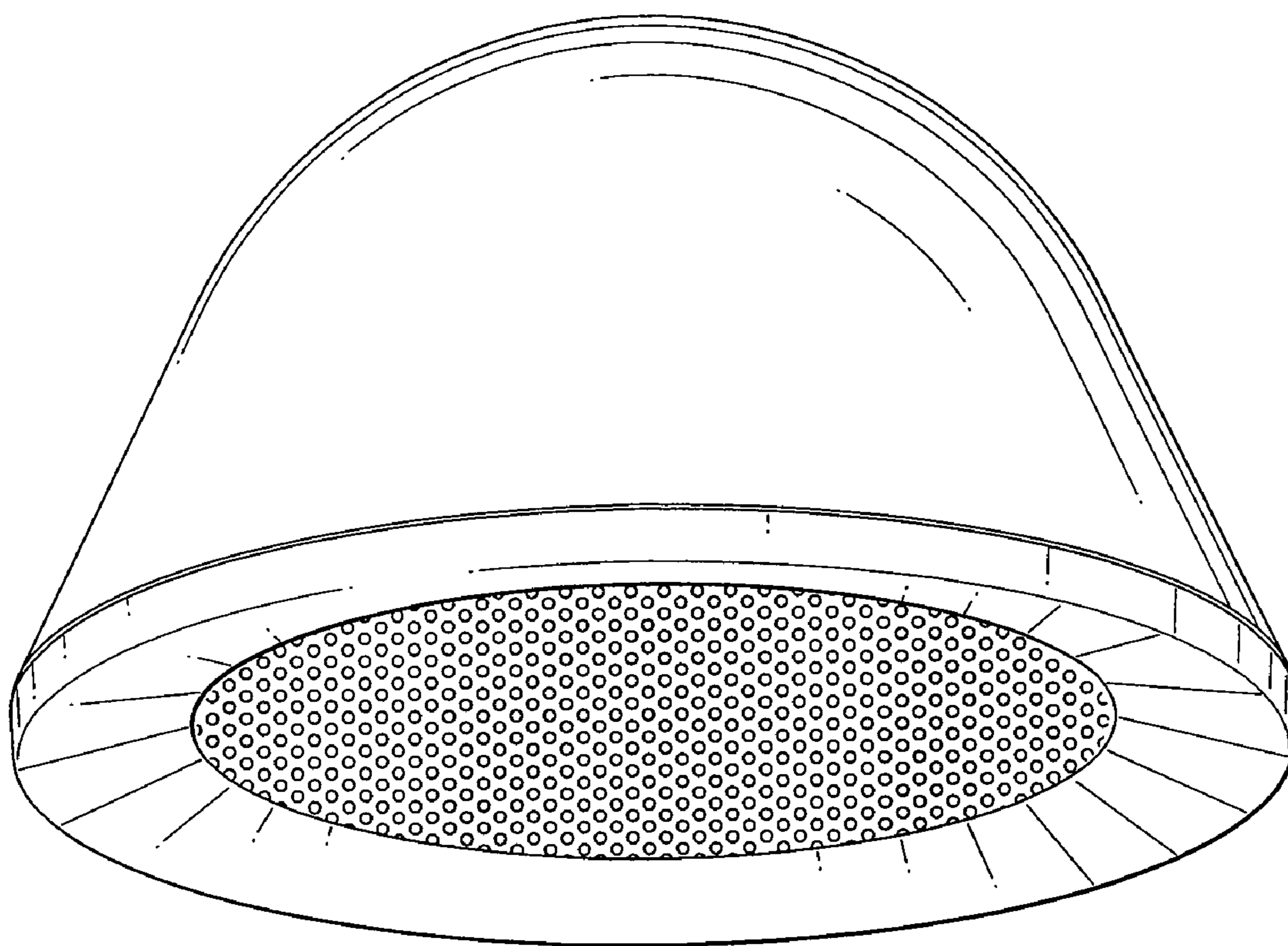


FIG. 5

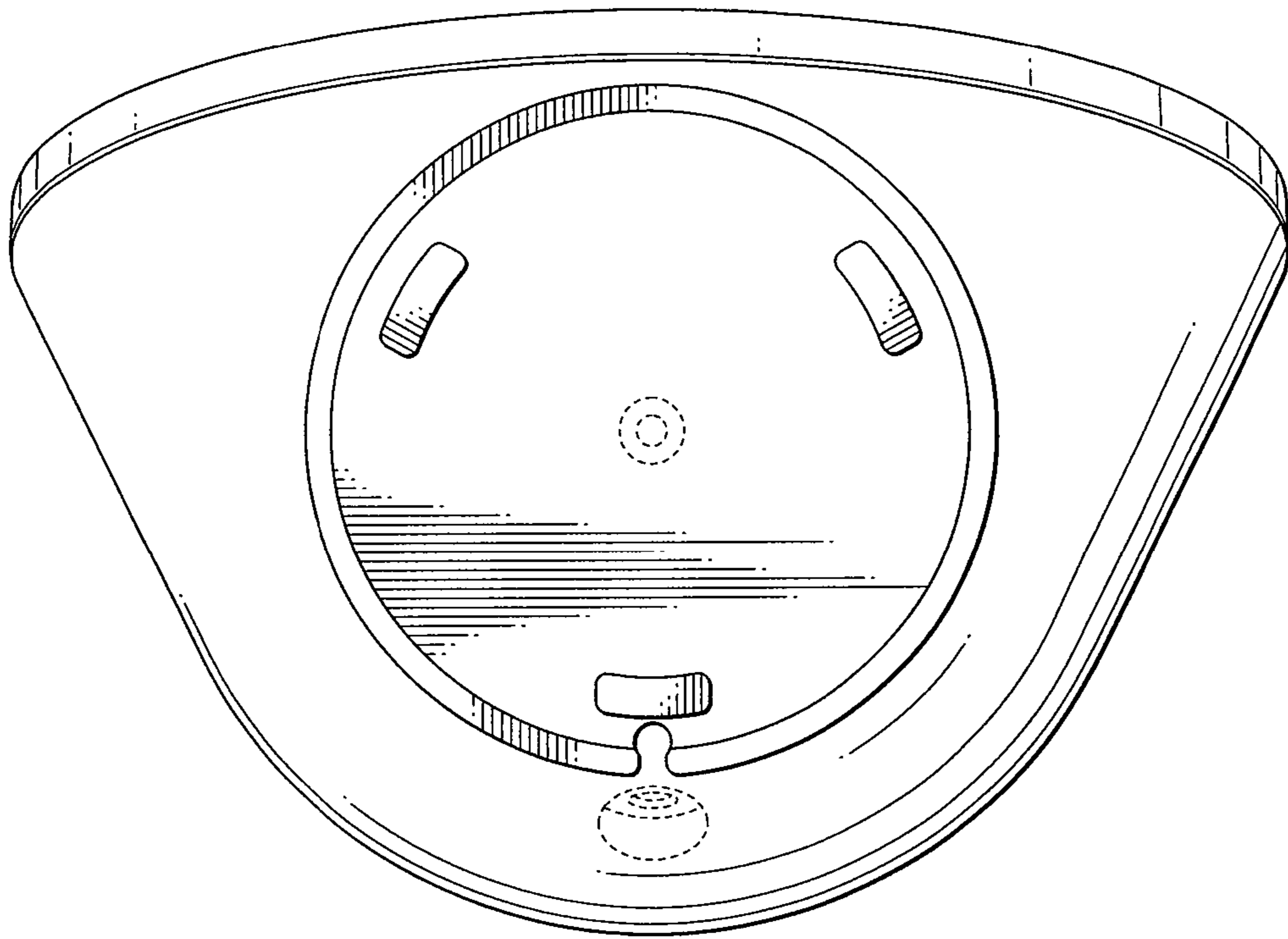


FIG. 6