



US00D586775S

(12) **United States Design Patent**
Lu

(10) **Patent No.:** **US D586,775 S**
(45) **Date of Patent:** **** Feb. 17, 2009**

(54) **HANDSET**

(75) Inventor: **Wen-Yo Lu**, Alhambra, CA (US)

(73) Assignee: **Nokia Corporation**, Espoo (FI)

(**) Term: **14 Years**

(21) Appl. No.: **29/305,507**

(22) Filed: **Mar. 21, 2008**

(51) **LOC (9) Cl.** **14-03**

(52) **U.S. Cl.** **D14/138 AB**

(58) **Field of Classification Search** D14/138 AB,
D14/138 AA, 496, 341-347, 247, 455-456,
D14/218; 455/575.3, 575.1

See application file for complete search history.

(56) **References Cited**

U.S. PATENT DOCUMENTS

D502,161	S	*	2/2005	Kim et al.	D14/138 AB
D506,454	S	*	6/2005	Kim et al.	D14/138 AB
D507,562	S	*	7/2005	Kim	D14/247
D537,429	S	*	2/2007	Fahlgren	D14/138 AB
D542,770	S	*	5/2007	Bower	D14/138 AB
D543,173	S	*	5/2007	Park et al.	D14/138 AB
D546,315	S	*	7/2007	Kim et al.	D14/138 AA
D552,576	S	*	10/2007	Kim et al.	D14/138 AB
D554,632	S	*	11/2007	Woodley et al.	D14/247
D556,164	S	*	11/2007	Dry et al.	D14/138 AB
D559,214	S	*	1/2008	Salmi	D14/138 AB
D559,218	S	*	1/2008	Park et al.	D14/138 AB
D560,189	S	*	1/2008	Kim et al.	D14/138 AB
D560,643	S	*	1/2008	Kim et al.	D14/138 AB
D561,149	S	*	2/2008	Park et al.	D14/138 AB
D563,365	S	*	3/2008	Kim	D14/138 AB
D563,924	S	*	3/2008	Arnold et al.	D14/138 AB
D568,850	S	*	5/2008	Lyles	D14/138 AB
D569,361	S	*	5/2008	Park	D14/138 AB
D570,342	S	*	6/2008	Arnholt et al.	D14/247
D571,337	S	*	6/2008	Lee et al.	D14/138
D572,226	S	*	7/2008	Park et al.	D14/138
D572,690	S	*	7/2008	Kim et al.	D14/138
D573,569	S	*	7/2008	Arnholt et al.	D14/138
D573,574	S	*	7/2008	Suk et al.	D14/138

D573,966	S	*	7/2008	Park et al.	D14/138
D573,968	S	*	7/2008	Chen et al.	D14/138
D574,350	S	*	8/2008	Yu et al.	D14/138
D578,504	S	*	10/2008	Stillerman	D14/138 AB
D580,402	S	*	11/2008	Lee et al.	D14/138 AB
2006/0094482	A1	*	5/2006	Takagi	455/575.3

OTHER PUBLICATIONS

Nokia 6125 Supernova telephone, announced 1st quarter 2006, [online], [site visited Nov. 4, 2008]. Available from Internet, <URL: <http://www.gsmarena.com>>.*

LG KP210 telephone, announced Feb. 2008, [online], [site visited Nov. 4, 2008]. Available from Internet, <URL: <http://www.gsmarena.com>>.*

Nokia 6101 telephone, announced 1st quarter 2005, [online], [site visited Nov. 4, 2008]. Available from Internet, <URL: <http://www.gsmarena.com>>.*

(Continued)

Primary Examiner—Jeffrey D Asch

(74) *Attorney, Agent, or Firm*—Banner & Witcoff, Ltd.

(57)

CLAIM

The ornamental design for a handset, as shown and described.

DESCRIPTION

FIG. 1 is a front view of a handset showing my new design;

FIG. 2 is a right side view thereof;

FIG. 3 is a left side view thereof;

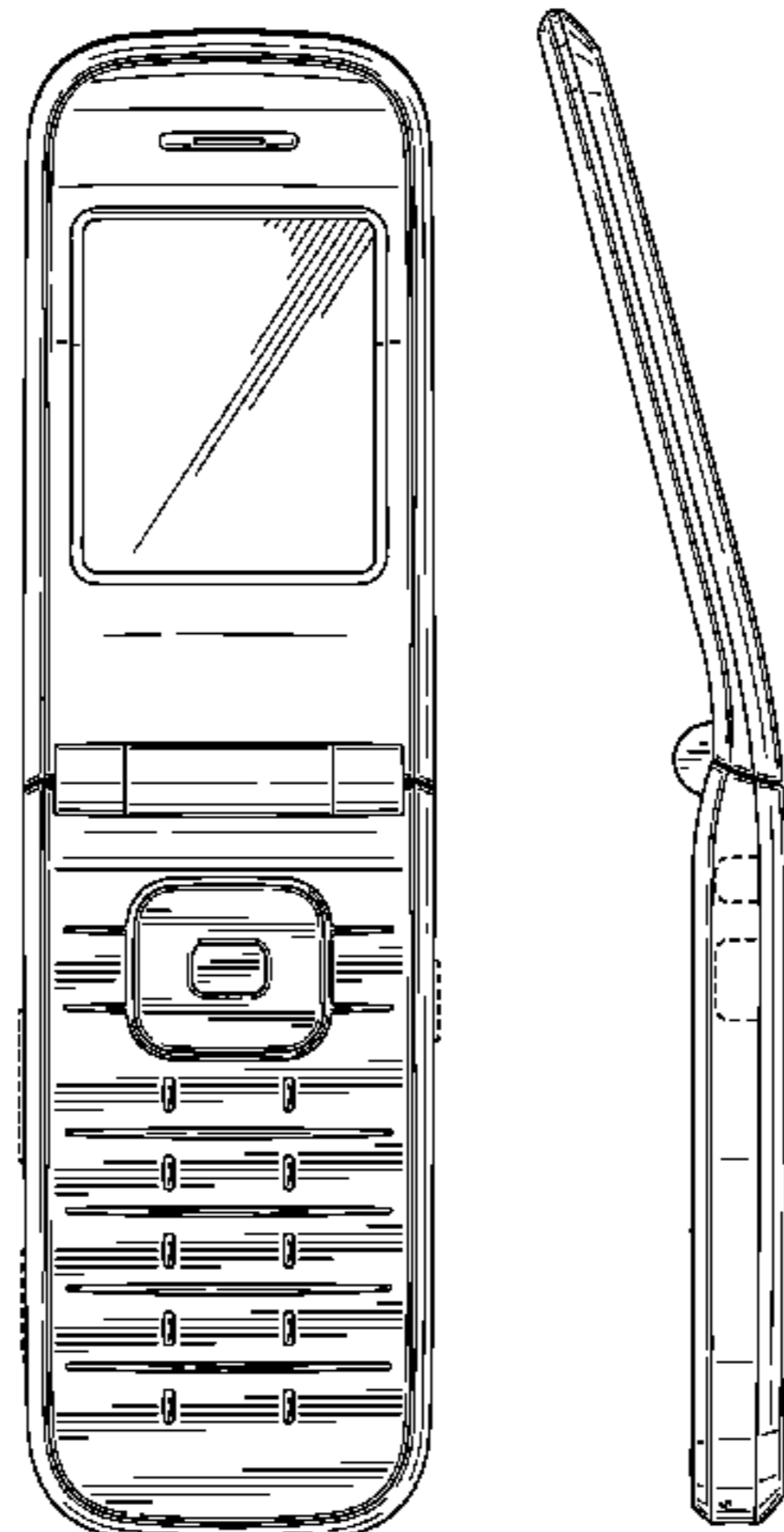
FIG. 4 is a top view thereof;

FIG. 5 is a bottom view thereof; and,

FIG. 6 is a rear view thereof.

The broken lines throughout the views that are immediately adjacent to the shaded areas, and define unshaded regions, represent the bounds of the claimed design, while all other broken lines are directed to environment and are for illustrative purposes only; the broken lines form no part of the claimed design.

1 Claim, 4 Drawing Sheets



OTHER PUBLICATIONS

LG U830 telephone, announced Oct. 2006, [online], [site visited Nov. 4, 2008]. Available from Internet ,<URL: <http://www.gsmarena.com>>.*

LG KU730 telephone, announced Oct. 2006, [online], [site visited Nov. 4, 2008]. Available from Internet ,<URL: <http://www.gsmarena.com>>.*

Philips 680 telephone, announced Jun. 2006, [online], [site visited Nov. 4, 2008]. Available from Internet ,<URL: <http://www.gsmarena.com>>.*

Pantech PG-6200 telephone, announced Feb. 2006, [online], [site visited Nov. 4, 2008]. Available from Internet ,<URL: <http://www.gsmarena.com>>.*

Samsung E480 telephone, announced Nov. 2006, [online], [site visited Nov. 4, 2008]. Available from Internet ,<URL: <http://www.gsmarena.com>>.*

BenQ-Siemens EF61 telephone, announced Jul. 2006, [online], [site visited Nov. 4, 2008]. Available from Internet ,<URL: <http://www.gsmarena.com>>.*

Nokia Model # 6125, Nokia Corporation, 3 color sheets of photographs, disclosed on or about Jan. 2006.

* cited by examiner

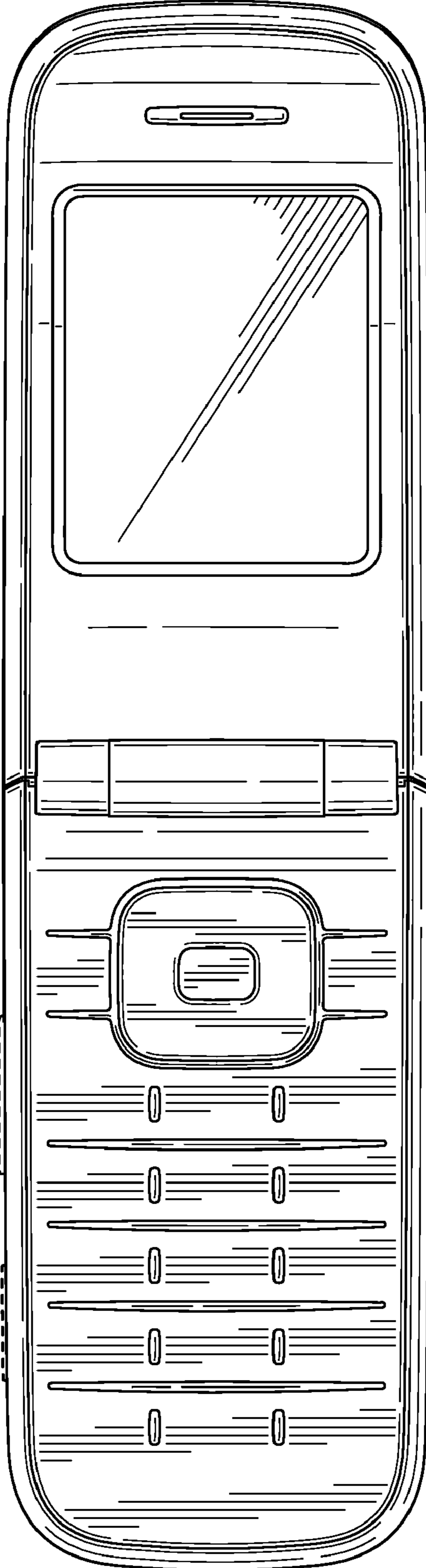


FIG. 1

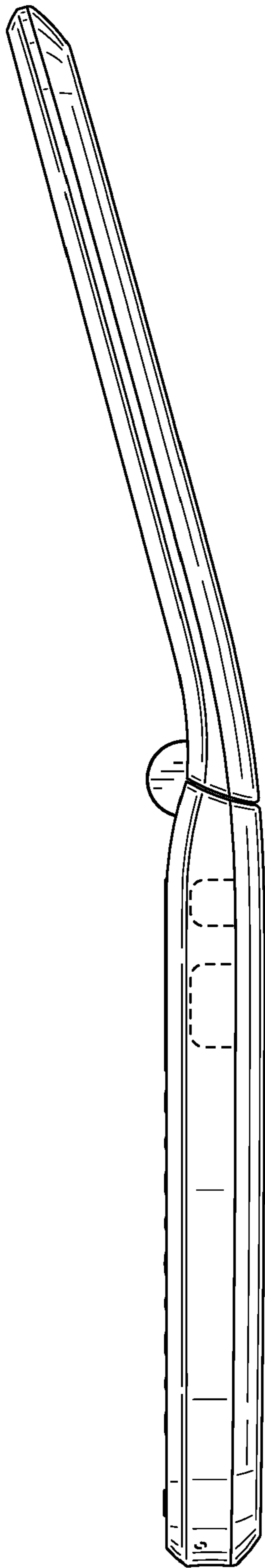


FIG. 2

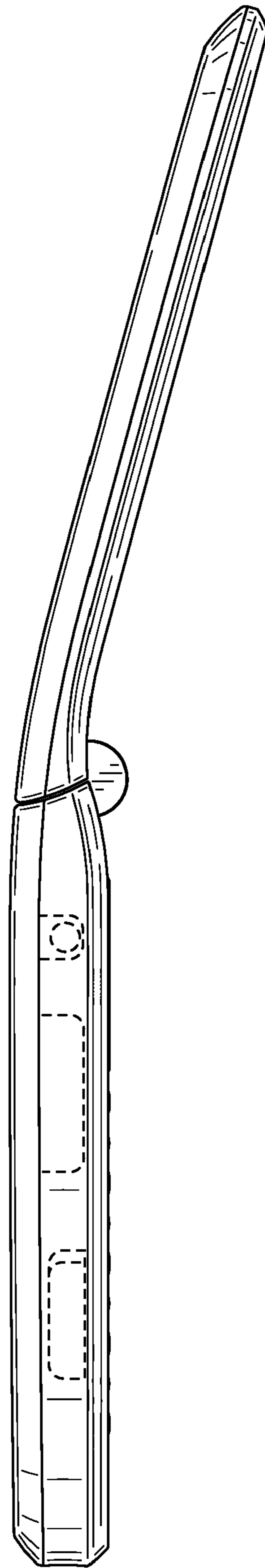


FIG. 3

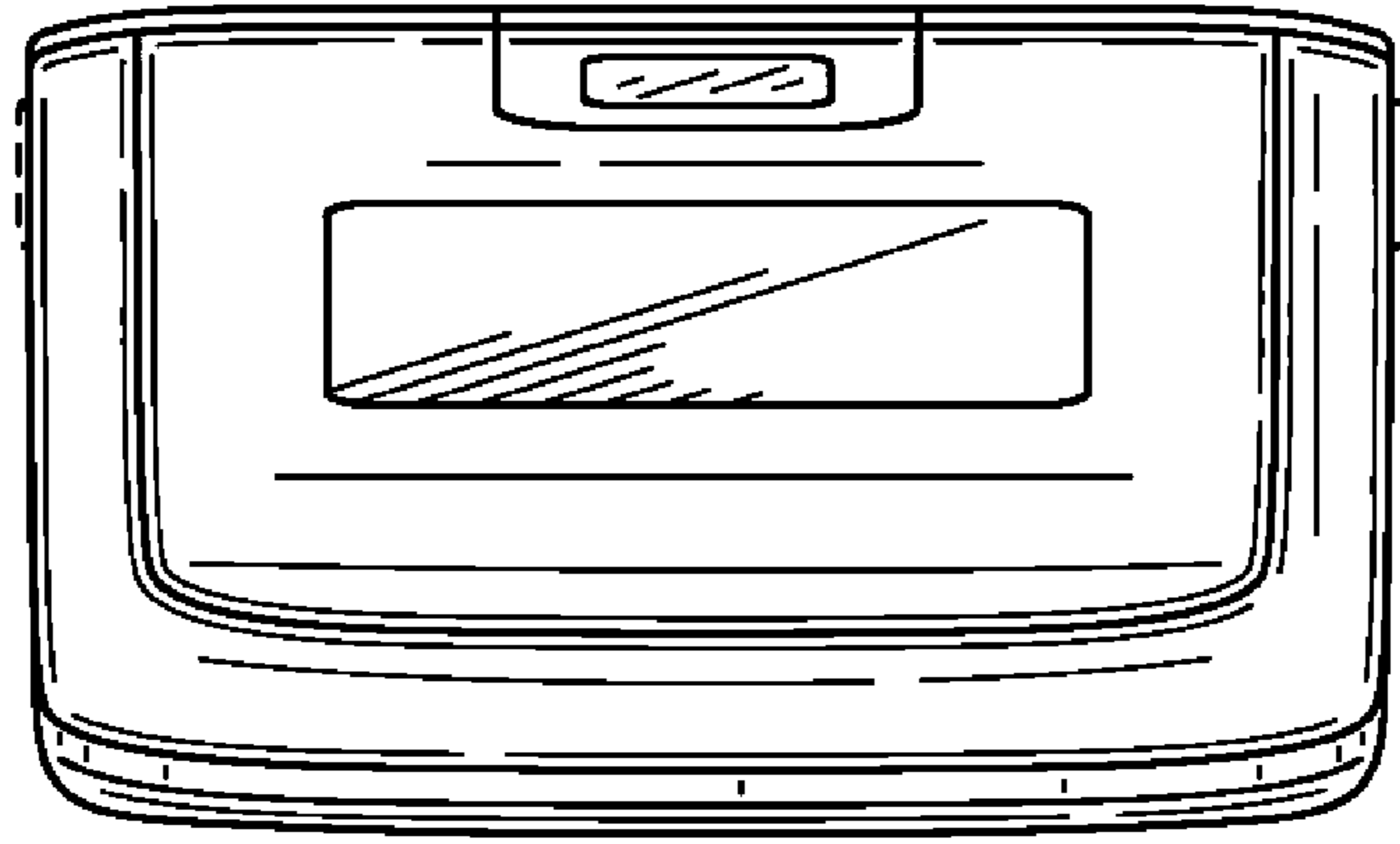


FIG. 4

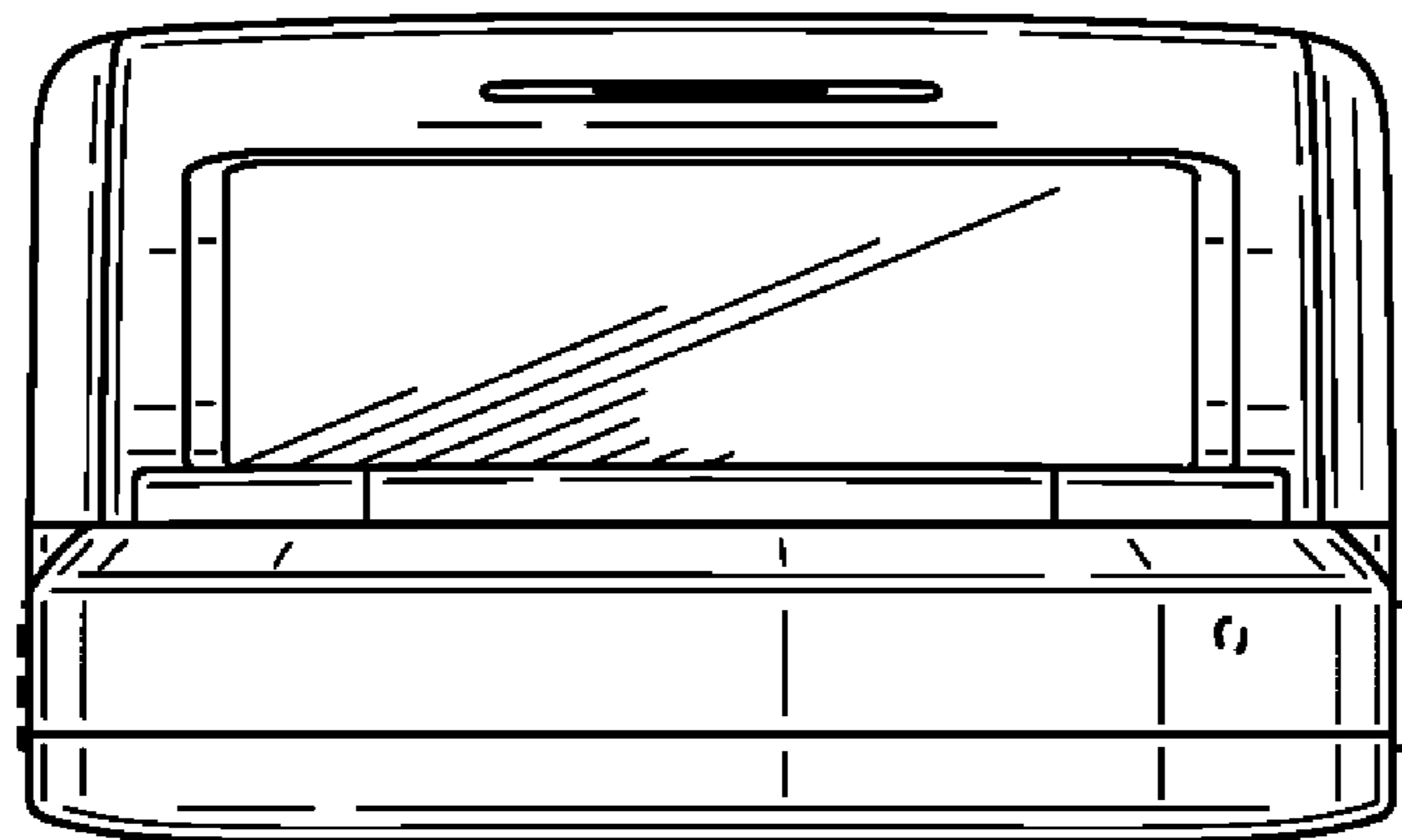


FIG. 5

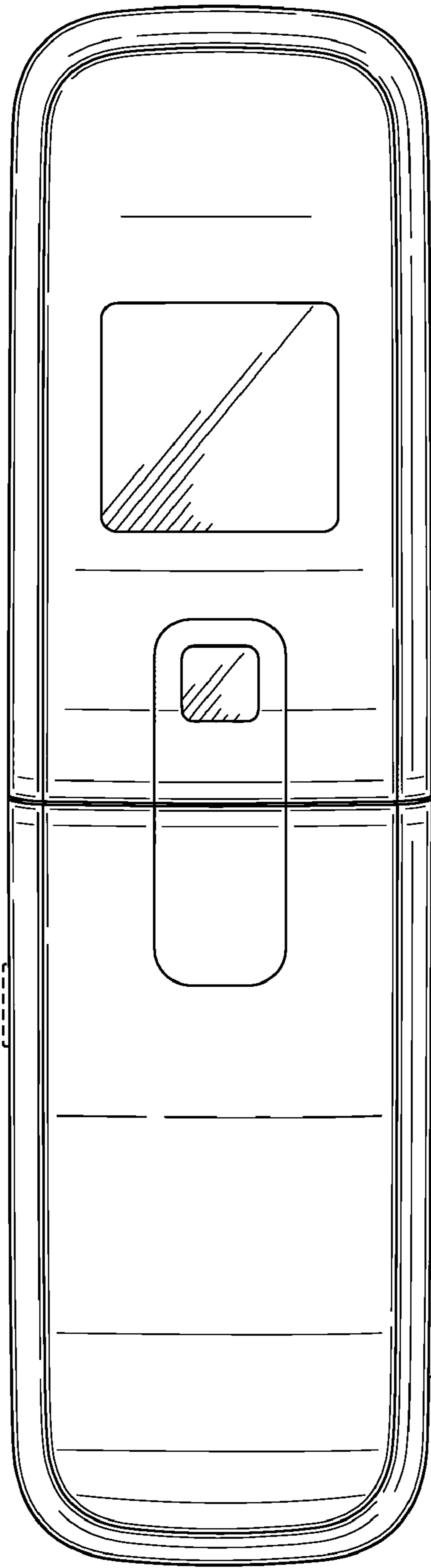


FIG. 6