



US00D586768S

(12) **United States Design Patent**  
**Inoue et al.**

(10) **Patent No.:** **US D586,768 S**  
(45) **Date of Patent:** **\*\* Feb. 17, 2009**

(54) **PROCESS TUBE FOR MANUFACTURING SEMICONDUCTOR WAFERS**

*Primary Examiner*—Selina Sikder  
(74) *Attorney, Agent, or Firm*—Smith, Gambrell & Russell, LLP

(75) Inventors: **Hisashi Inoue**, Tokyo (JP); **Atsushi Endo**, Tokyo (JP)

(57) **CLAIM**

(73) Assignee: **Tokyo Electron Limited**, Tokyo (JP)

The ornamental design for a process tube for manufacturing semiconductor wafers, as shown and described.

(\*\*) Term: **14 Years**

(21) Appl. No.: **29/274,293**

**DESCRIPTION**

(22) Filed: **Apr. 11, 2007**

FIG. 1 is a front view of the design for a process tube for manufacturing semiconductor wafers in accordance with the invention;

(30) **Foreign Application Priority Data**

Oct. 12, 2006 (JP) ..... 2006-027524

FIG. 2 is a rear view thereof;

(51) **LOC (9) Cl.** ..... **13-03**

FIG. 3 is a right side view thereof;

(52) **U.S. Cl.** ..... **D13/182**

FIG. 4 is a left side view thereof;

(58) **Field of Classification Search** ..... D13/182;  
118/715, 724, 725; 219/390, 486, 523; 432/247  
See application file for complete search history.

FIG. 5 is a top view thereof;

FIG. 6 is a bottom view thereof;

(56) **References Cited**

**U.S. PATENT DOCUMENTS**

5,618,349	A *	4/1997	Yuuki	118/715
D404,368	S *	1/1999	Shimazu	D13/182
D405,062	S *	2/1999	Shimazu	D13/182
D406,113	S *	2/1999	Hanagata et al.	D13/182
5,948,300	A *	9/1999	Gero et al.	219/390
6,251,189	B1 *	6/2001	Odake et al.	118/715
6,538,237	B1 *	3/2003	Yang et al.	219/390
D520,467	S *	5/2006	Ishii et al.	D13/182
D521,464	S *	5/2006	Ishii et al.	D13/182
2002/0014483	A1 *	2/2002	Suzuki et al.	219/486

FIG. 7 is a sectional view thereof along line 7—7 of FIG. 5;  
FIG. 8 is a sectional view thereof along line 8—8 of FIG. 5;  
FIG. 9 is a sectional view thereof along line 9—9 of FIG. 1;  
and,

FIG. 10 is a front, perspective view thereof.

In the preferred embodiment, the entire body of the process tube is transparent such that the inside of the tube can be seen. Dash lines show the boundary of the claimed design.

The broken lines define portions of the process tube that form no part of the claimed design.

\* cited by examiner

**1 Claim, 5 Drawing Sheets**

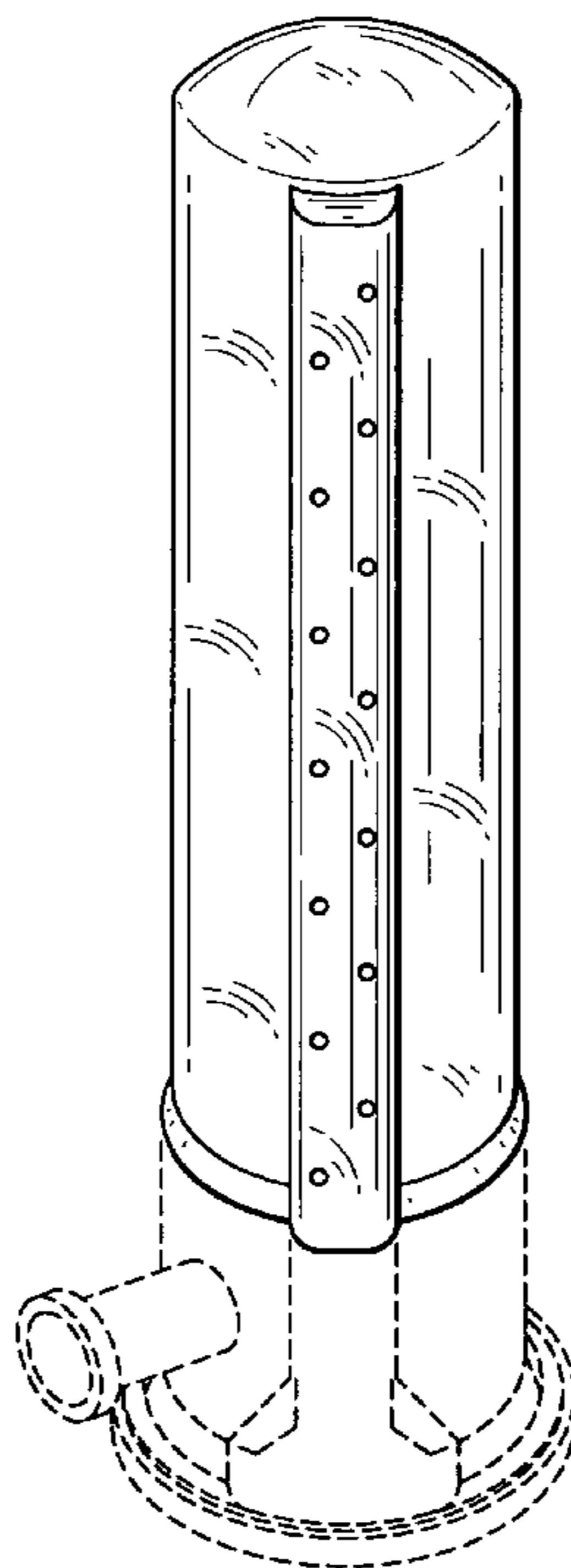


FIG. 1

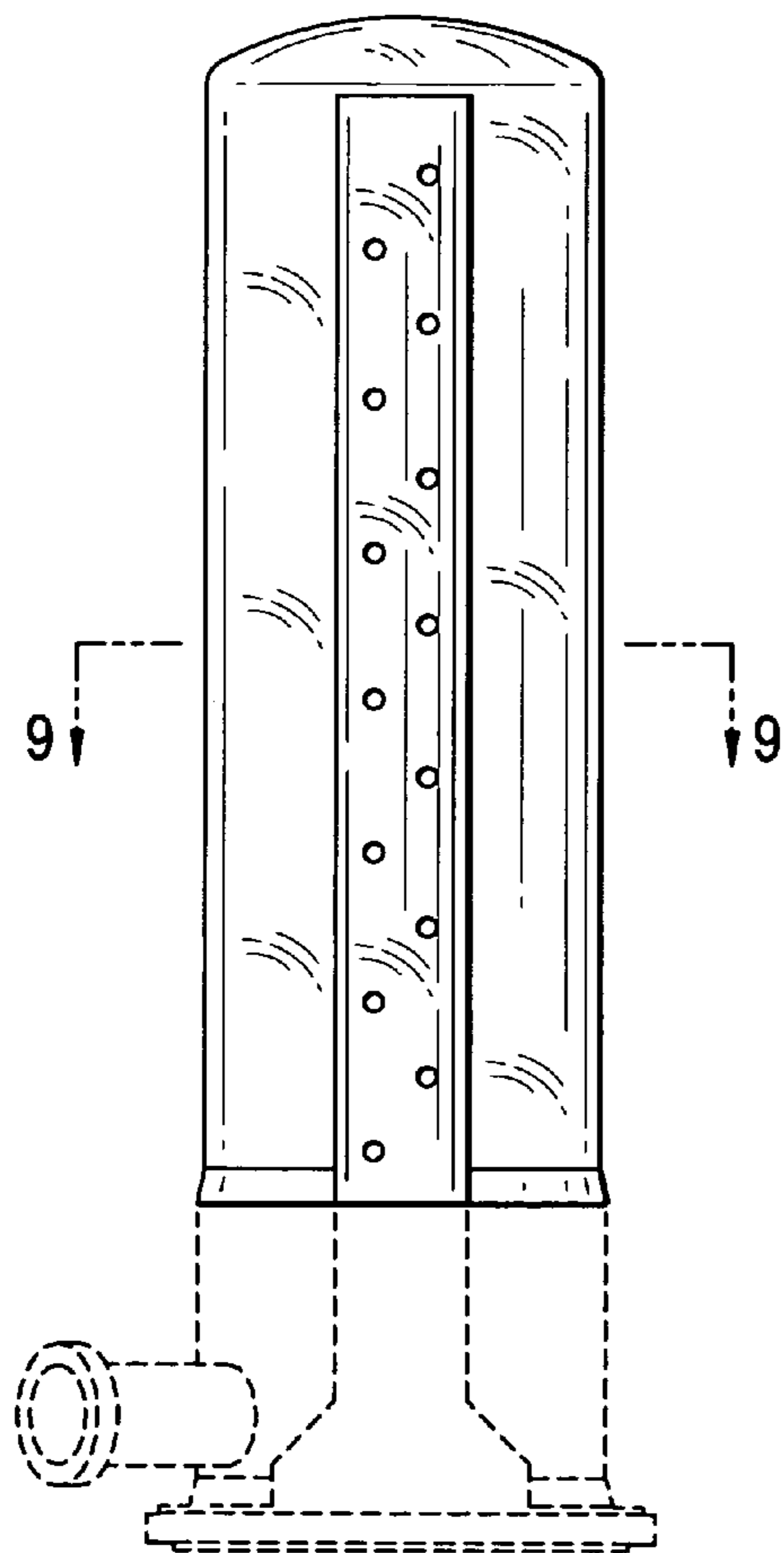


FIG. 2

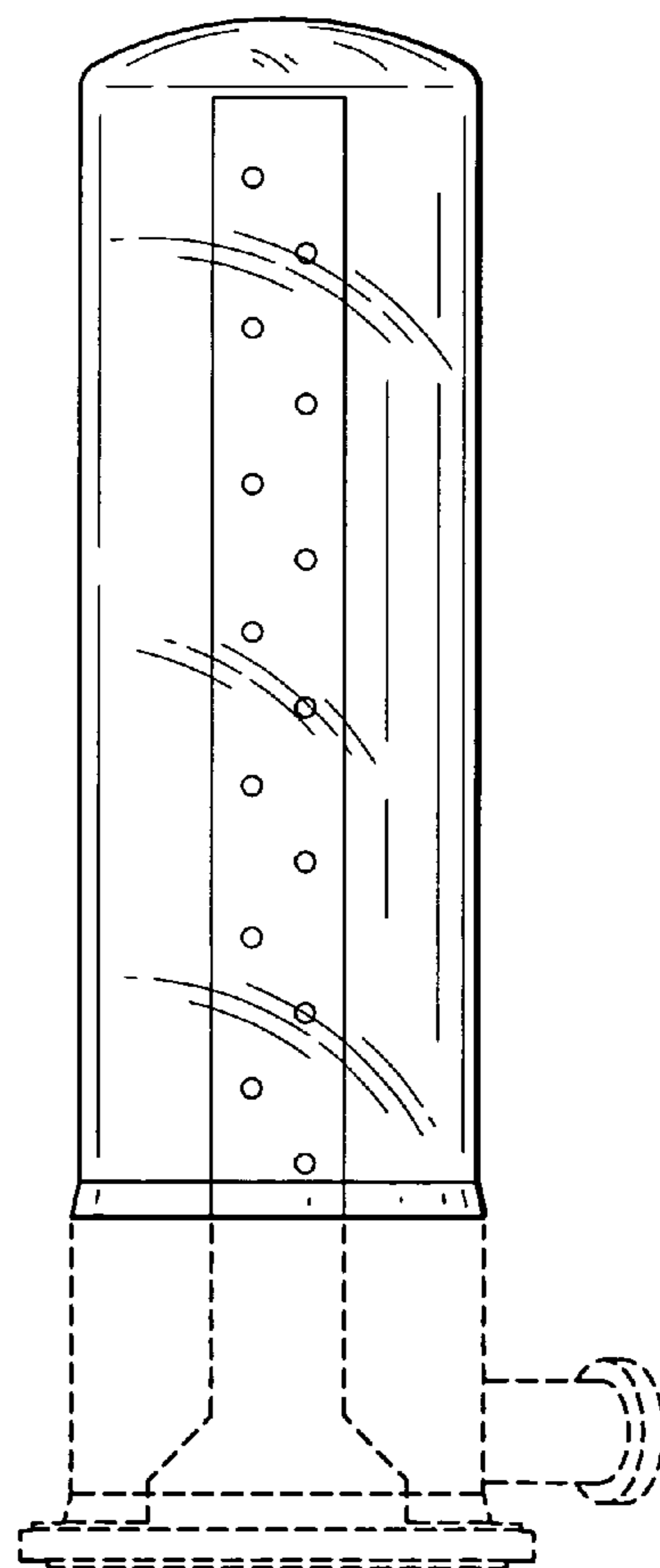


FIG. 3

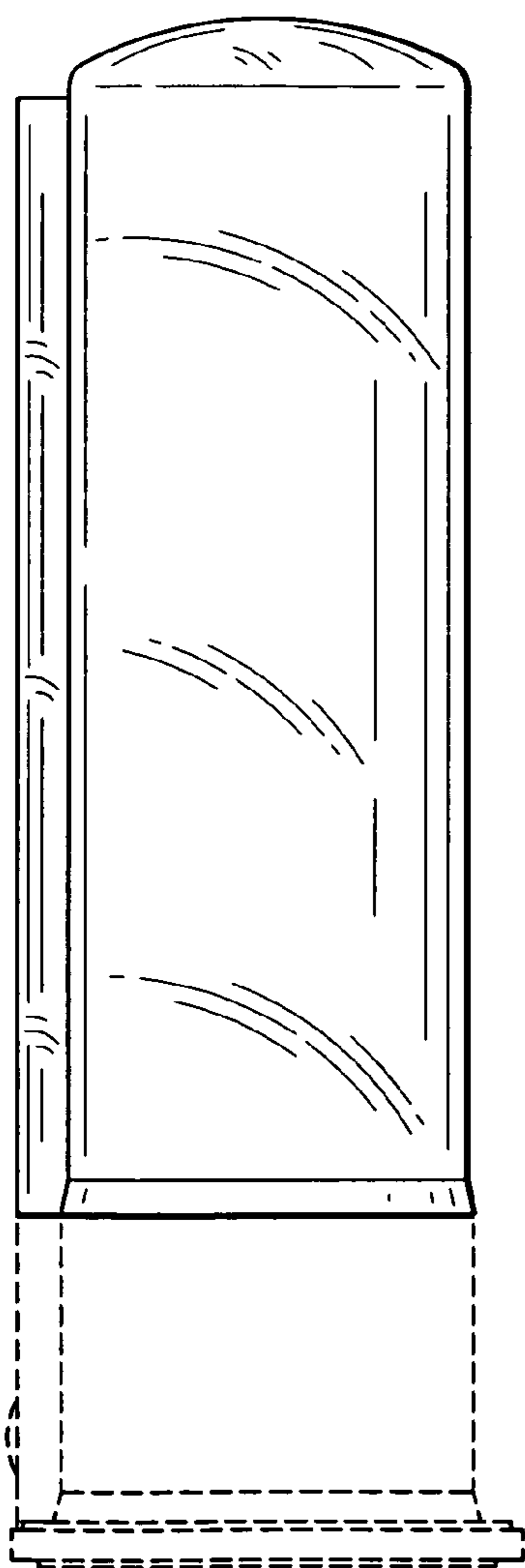


FIG. 4

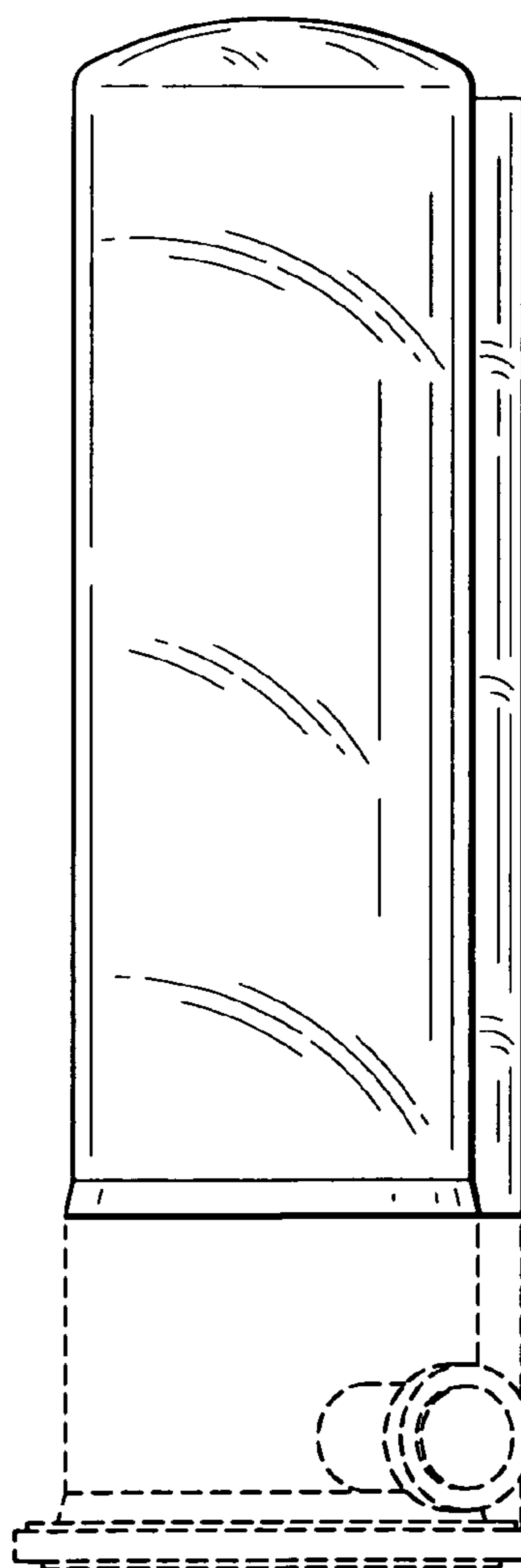


FIG. 5

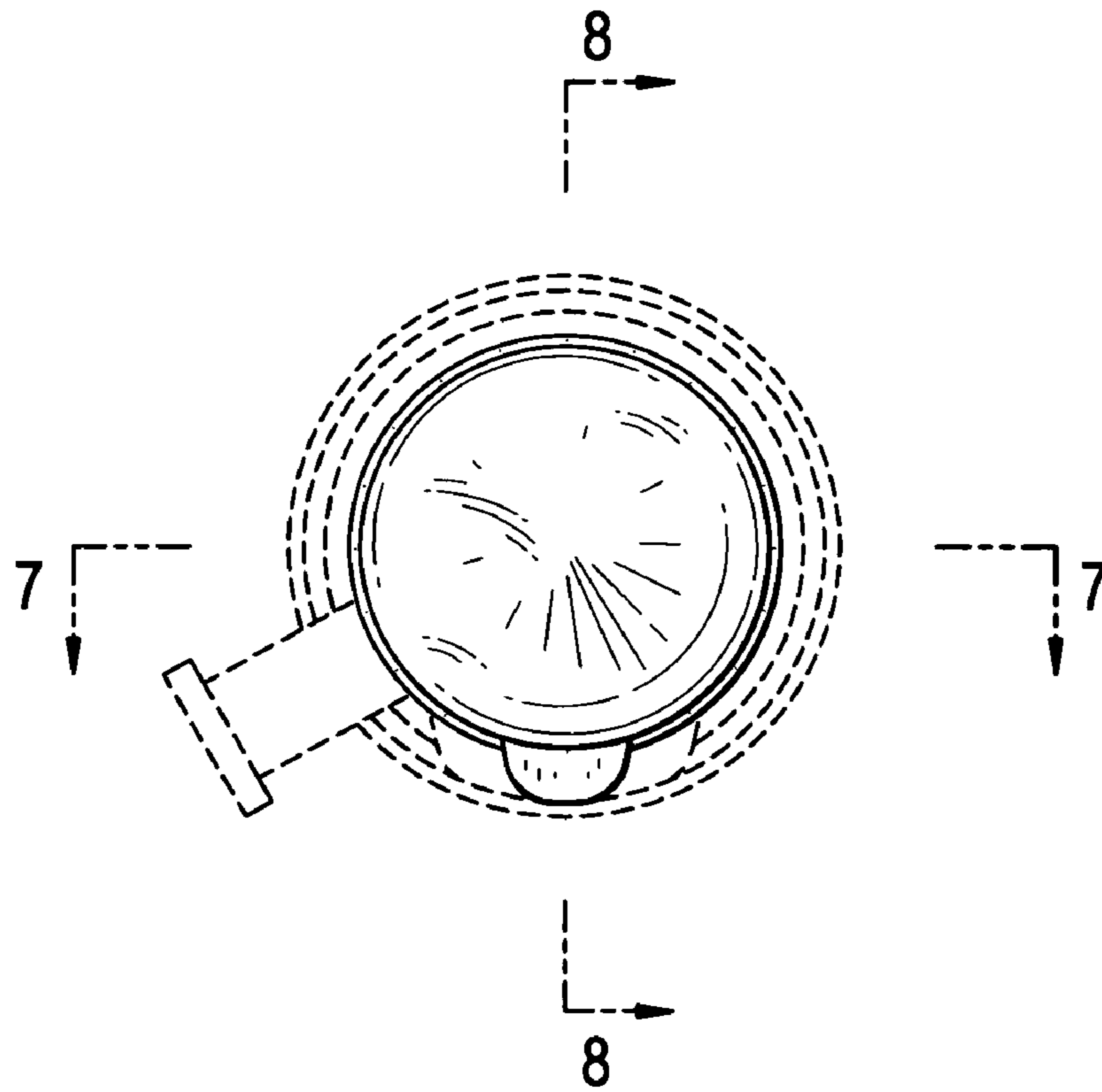


FIG. 6

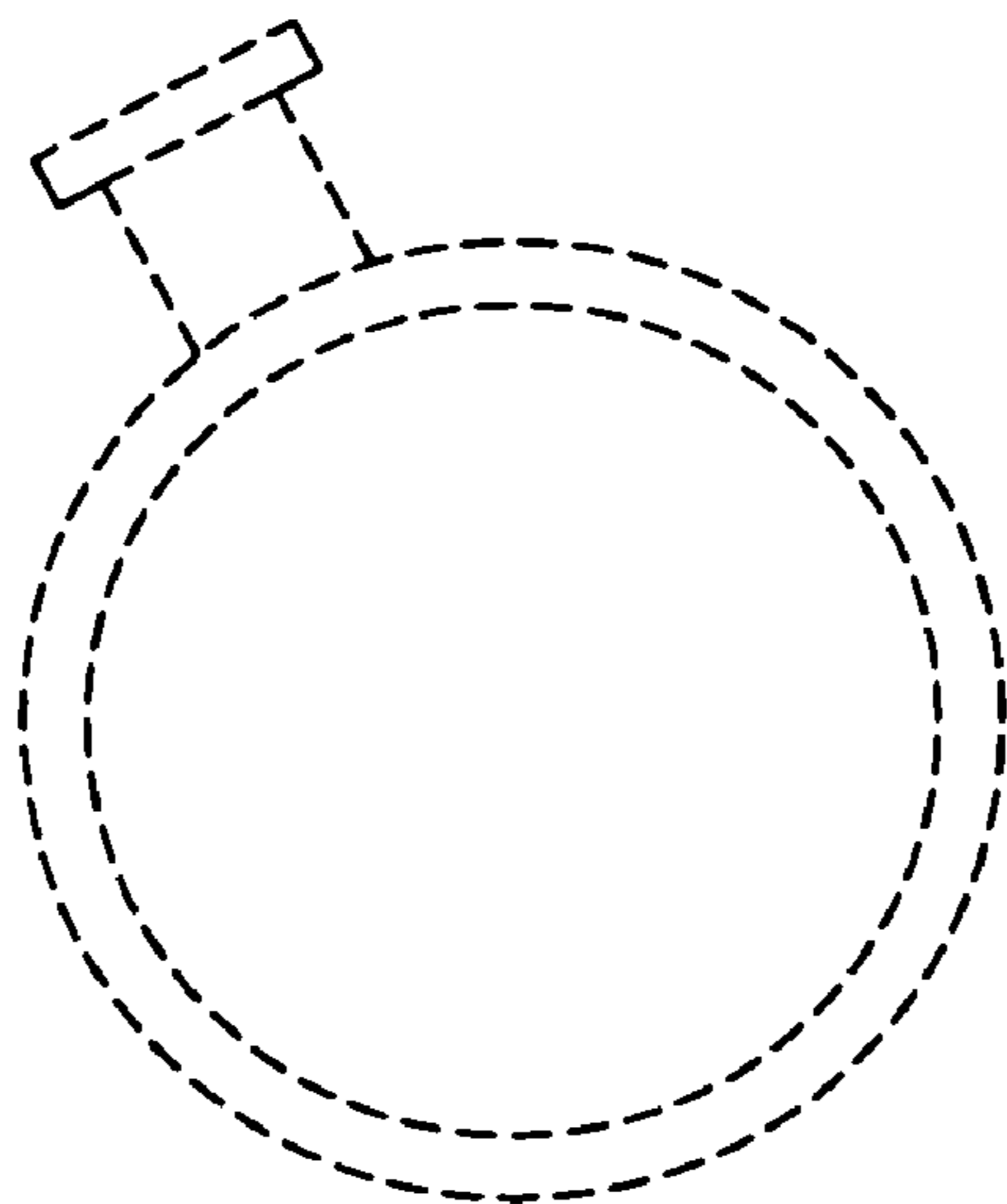


FIG. 7

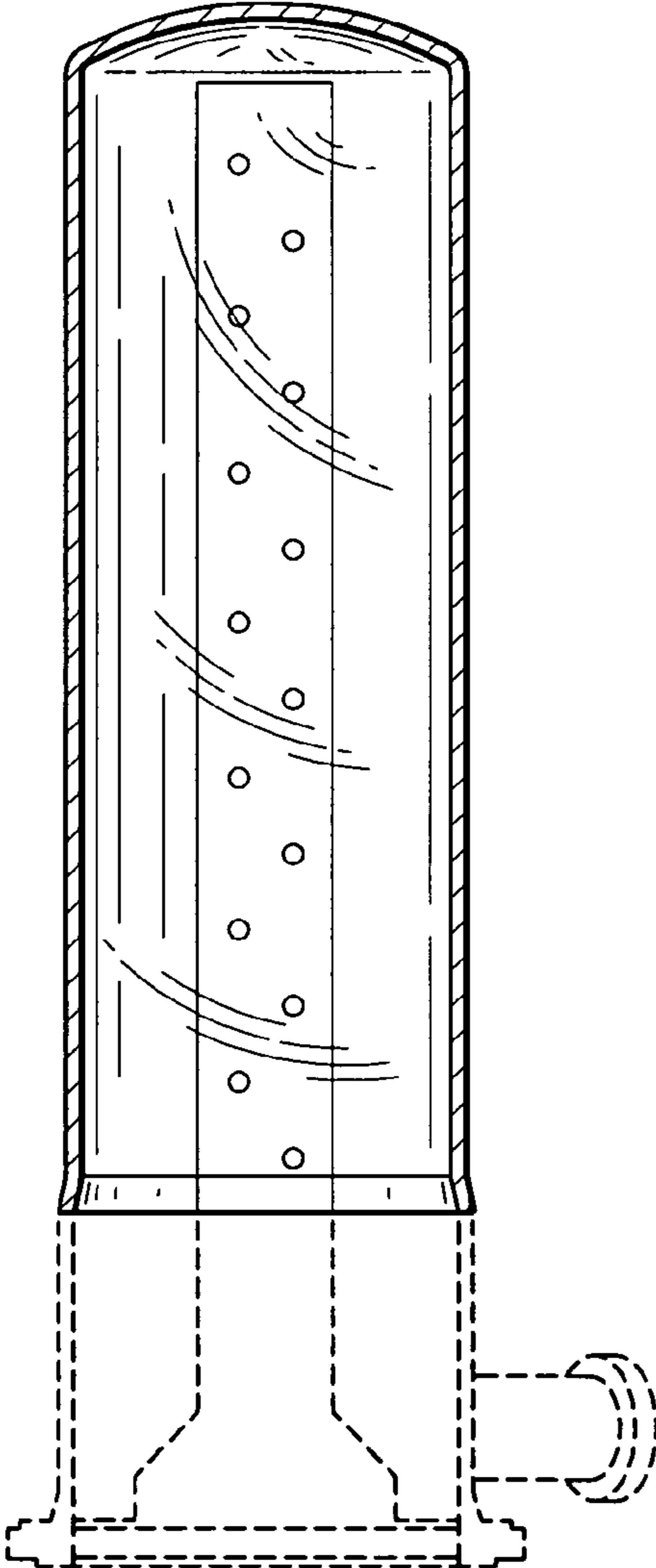


FIG. 8

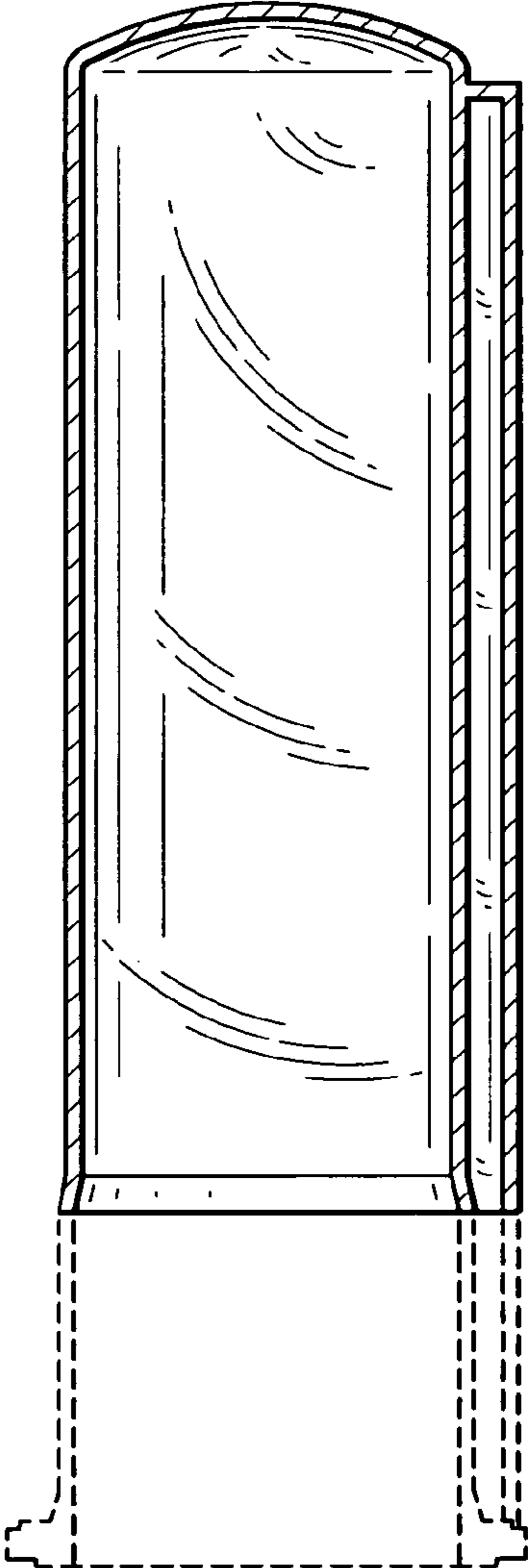


FIG. 9

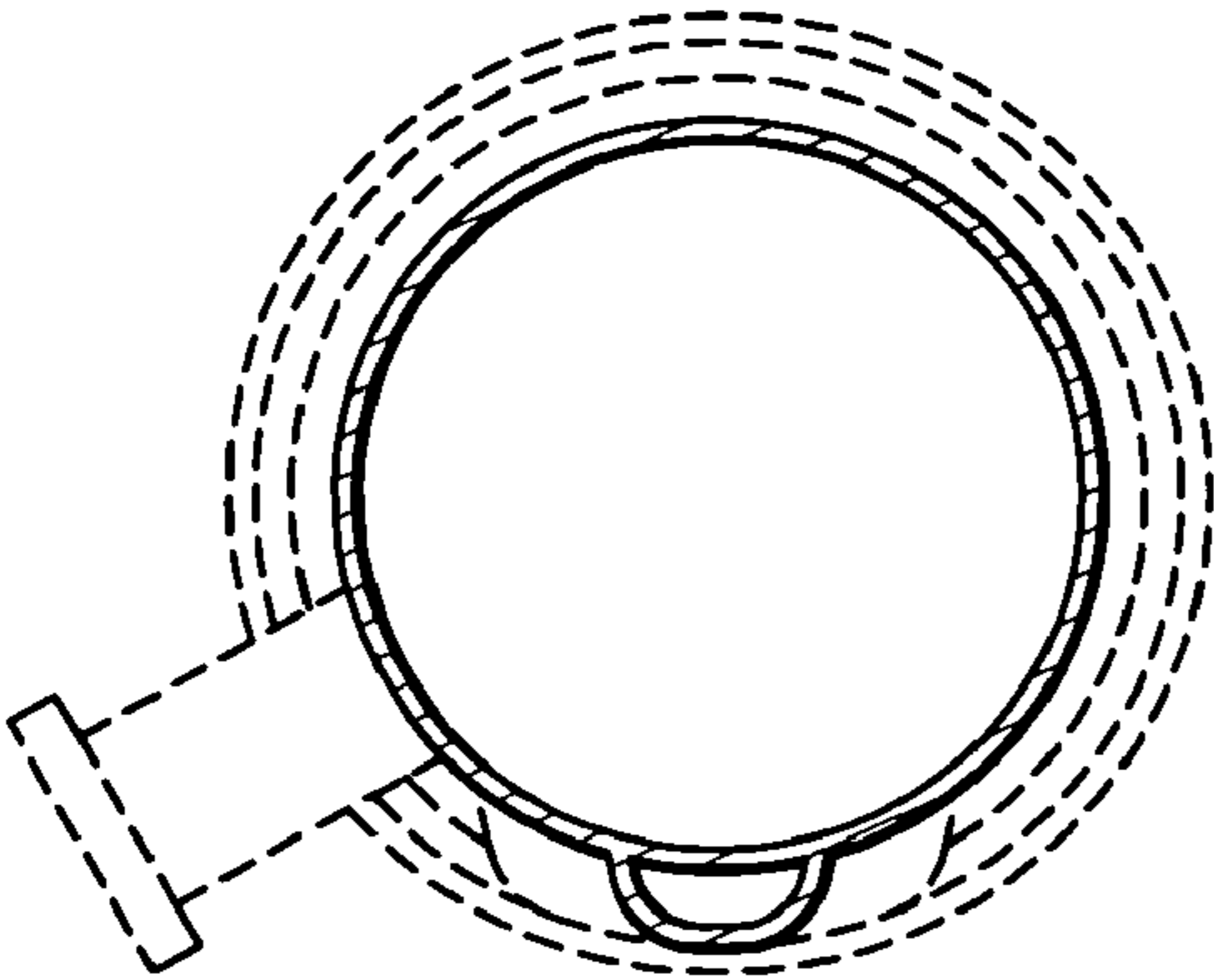


FIG. 10

