



US00D586767S

(12) **United States Design Patent**
Guerrero et al.

(10) **Patent No.:** **US D586,767 S**

(45) **Date of Patent:** **** Feb. 17, 2009**

(54) **ANODES**

(75) Inventors: **Christian Guerrero**, Travelers Rest, SC (US); **Jeff Poltorak**, Fountain Inn, SC (US); **Lance Paul Thornton**, Simpsonville, SC (US); **Yongjian Qiu**, Greenville, SC (US)

(73) Assignee: **Kemet Electronics Corporation**, Greenville, SC (US)

(**) Term: **14 Years**

(21) Appl. No.: **29/273,067**

(22) Filed: **Feb. 26, 2007**

(51) **LOC (9) Cl.** **13-03**

(52) **U.S. Cl.** **D13/182**

(58) **Field of Classification Search** D13/182;
29/25.03; 361/508, 523, 528, 529

See application file for complete search history.

(56) **References Cited**

U.S. PATENT DOCUMENTS

3,818,286	A *	6/1974	Ganz	361/529
4,162,518	A *	7/1979	Curlis, Jr.	361/528
4,517,626	A *	5/1985	Allen et al.	361/529
5,959,831	A *	9/1999	Maeda et al.	361/523
6,191,936	B1 *	2/2001	Webber et al.	361/528
6,808,541	B2 *	10/2004	Maeda	29/25.03

7,154,742	B1 *	12/2006	Hahn et al.	361/528
7,207,103	B2 *	4/2007	Poltorak	29/729
2005/0000821	A1 *	1/2005	White et al.	205/157
2005/0117280	A1 *	6/2005	Audo	361/523

* cited by examiner

Primary Examiner—Selina Sikder

(74) *Attorney, Agent, or Firm*—John B. Hardaway, III; Nexsen Pruet, LLC

(57) **CLAIM**

The ornamental design for an anode, as shown and described.

DESCRIPTION

FIG. 1 is a perspective view of a first embodiment of the anode showing our new design;

FIG. 2 is an end elevation thereof.

FIG. 3 is an end elevation from the opposite side.

FIG. 4 is a side elevation thereof.

FIG. 5 is a plan view thereof.

FIG. 6 is a perspective view of a second embodiment of the anode;

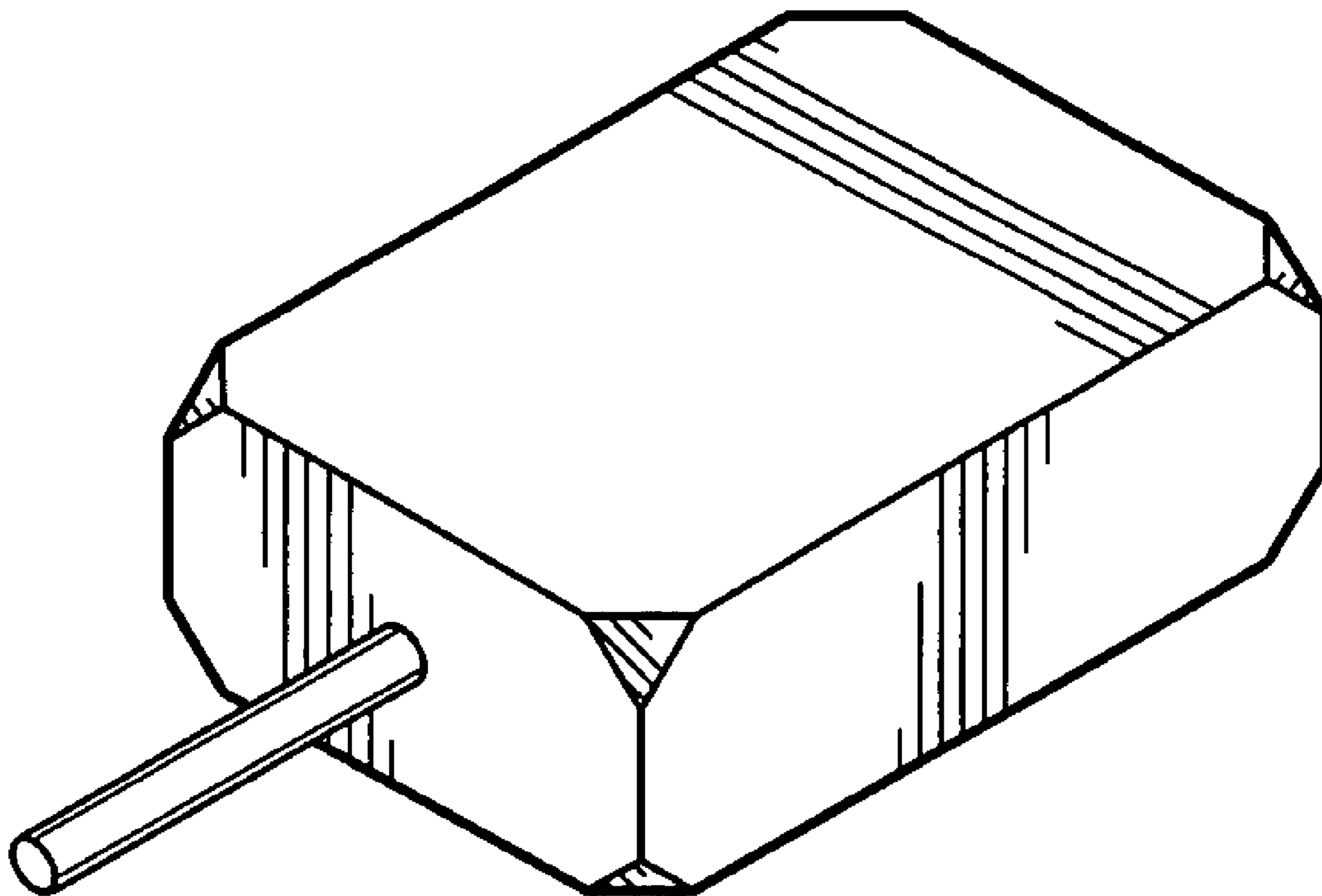
FIG. 7 is an end view thereof.

FIG. 8 is an end view from the opposite end.

FIG. 9 is a side elevation thereof; and,

FIG. 10 is a plan view thereof.

1 Claim, 2 Drawing Sheets



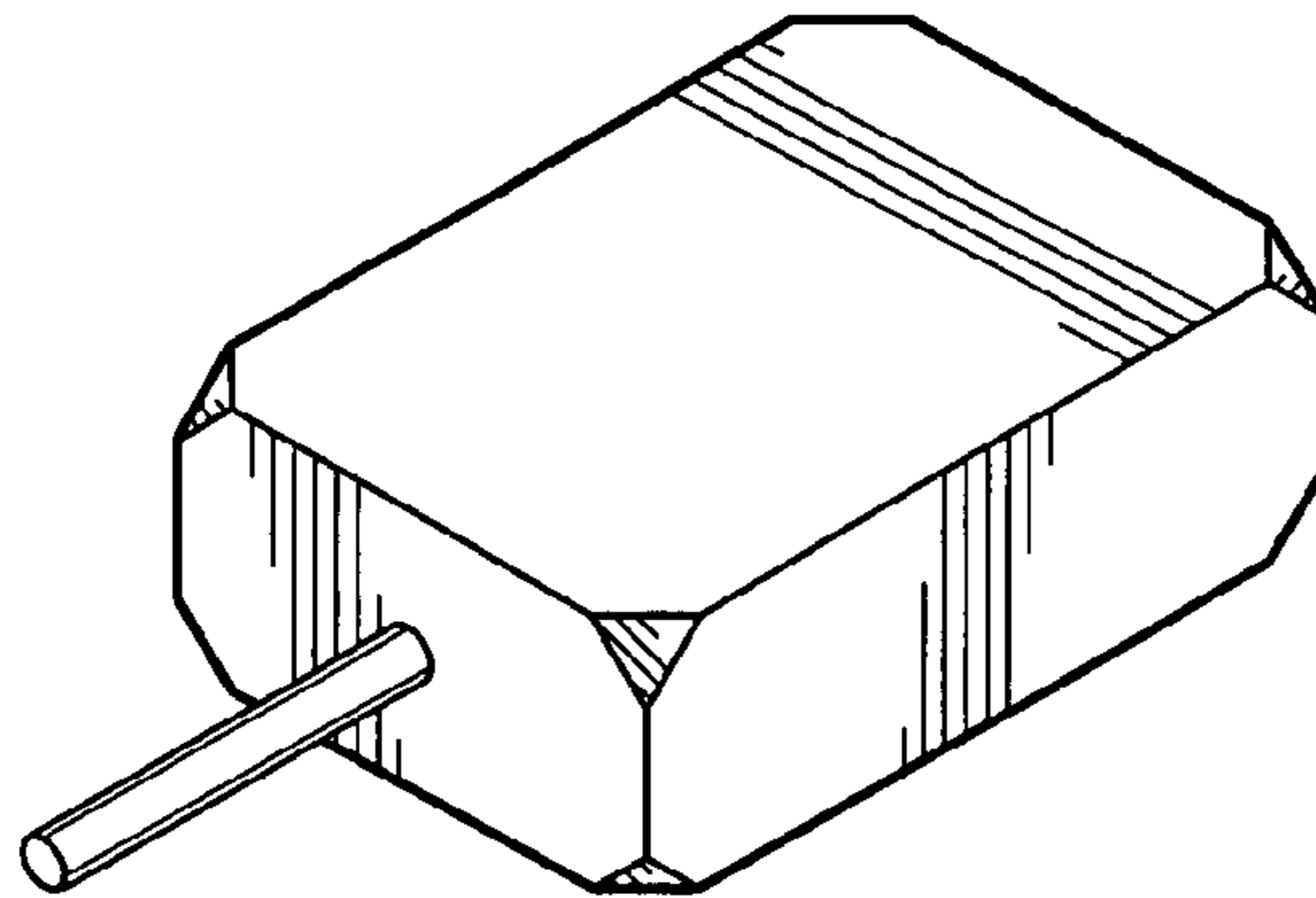


FIG. 1

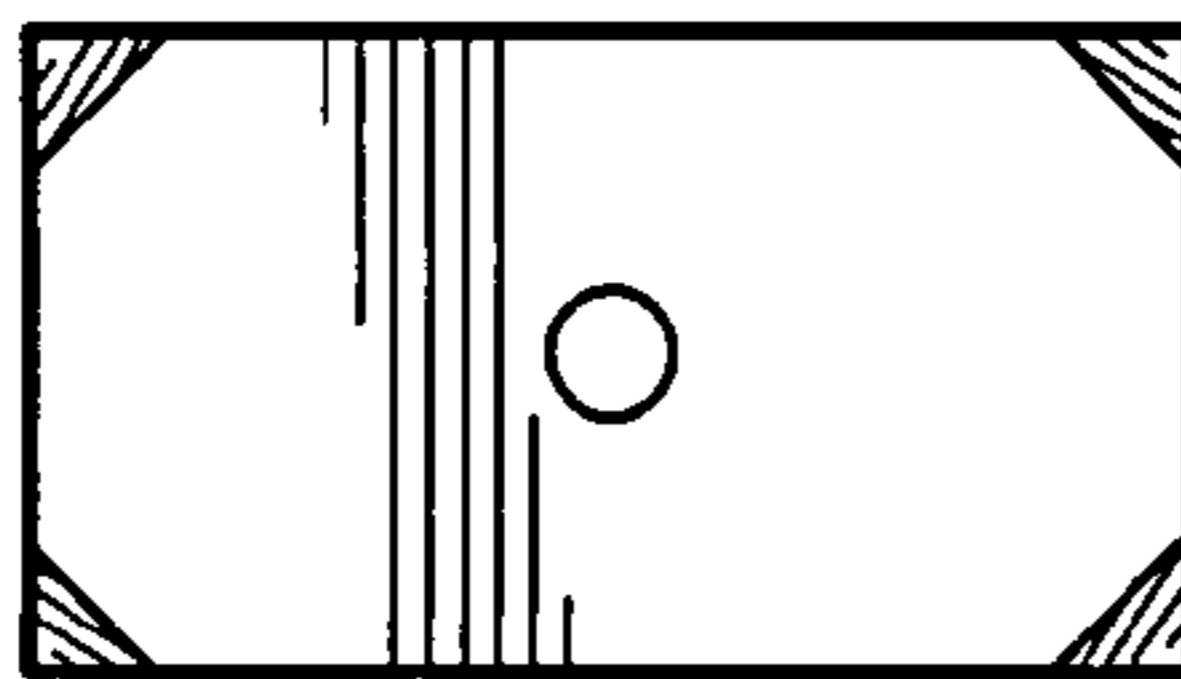


FIG. 2

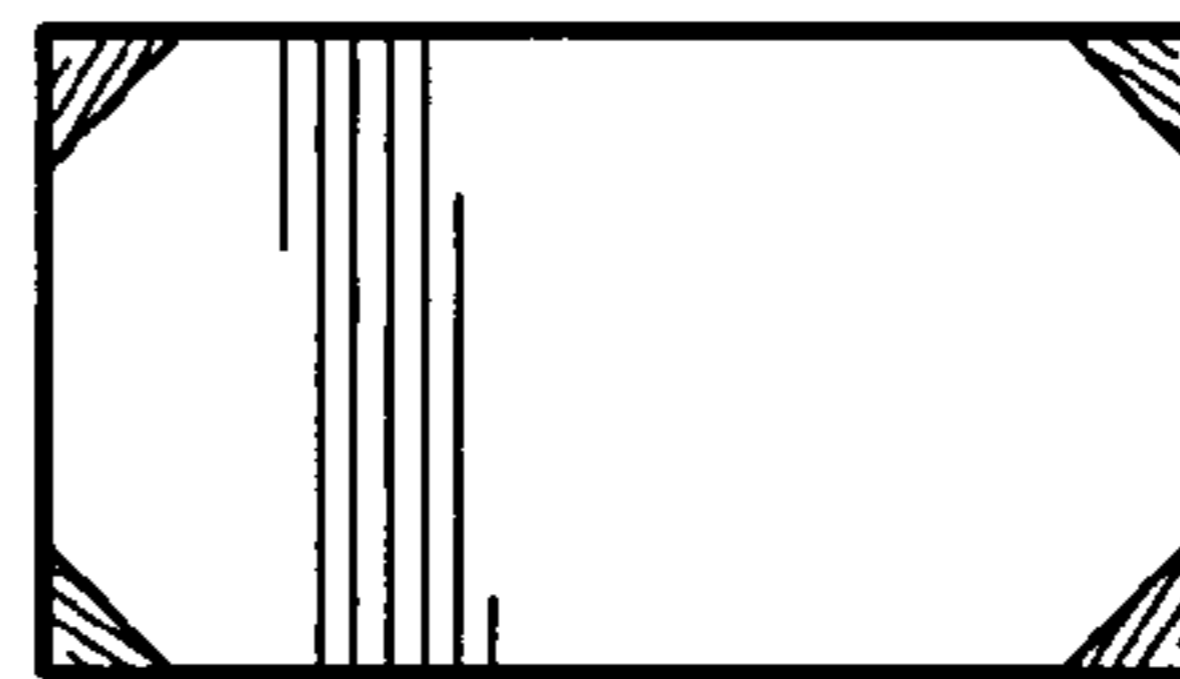


FIG. 3

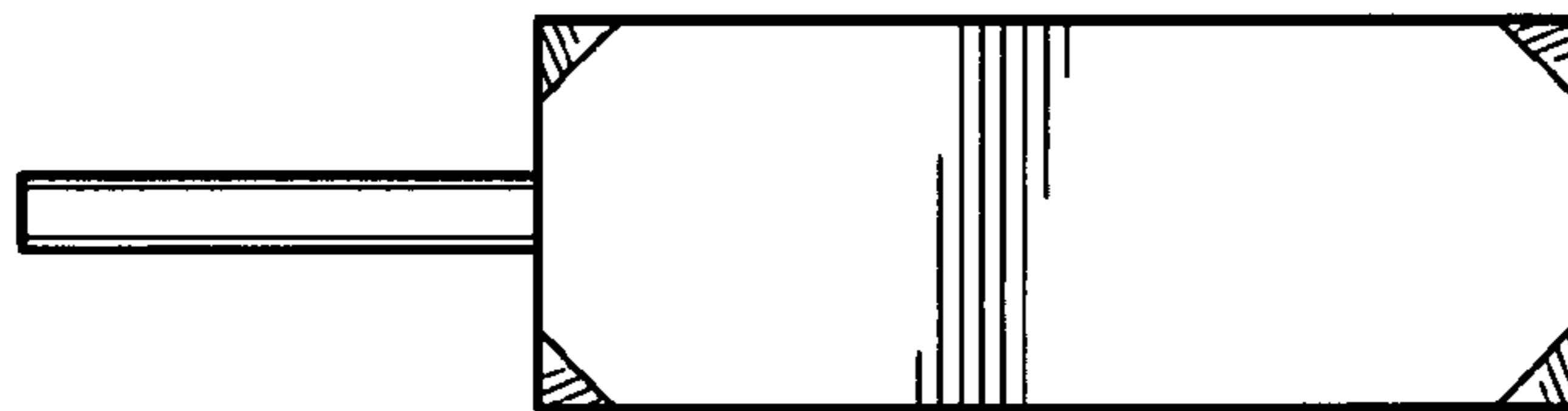


FIG. 4

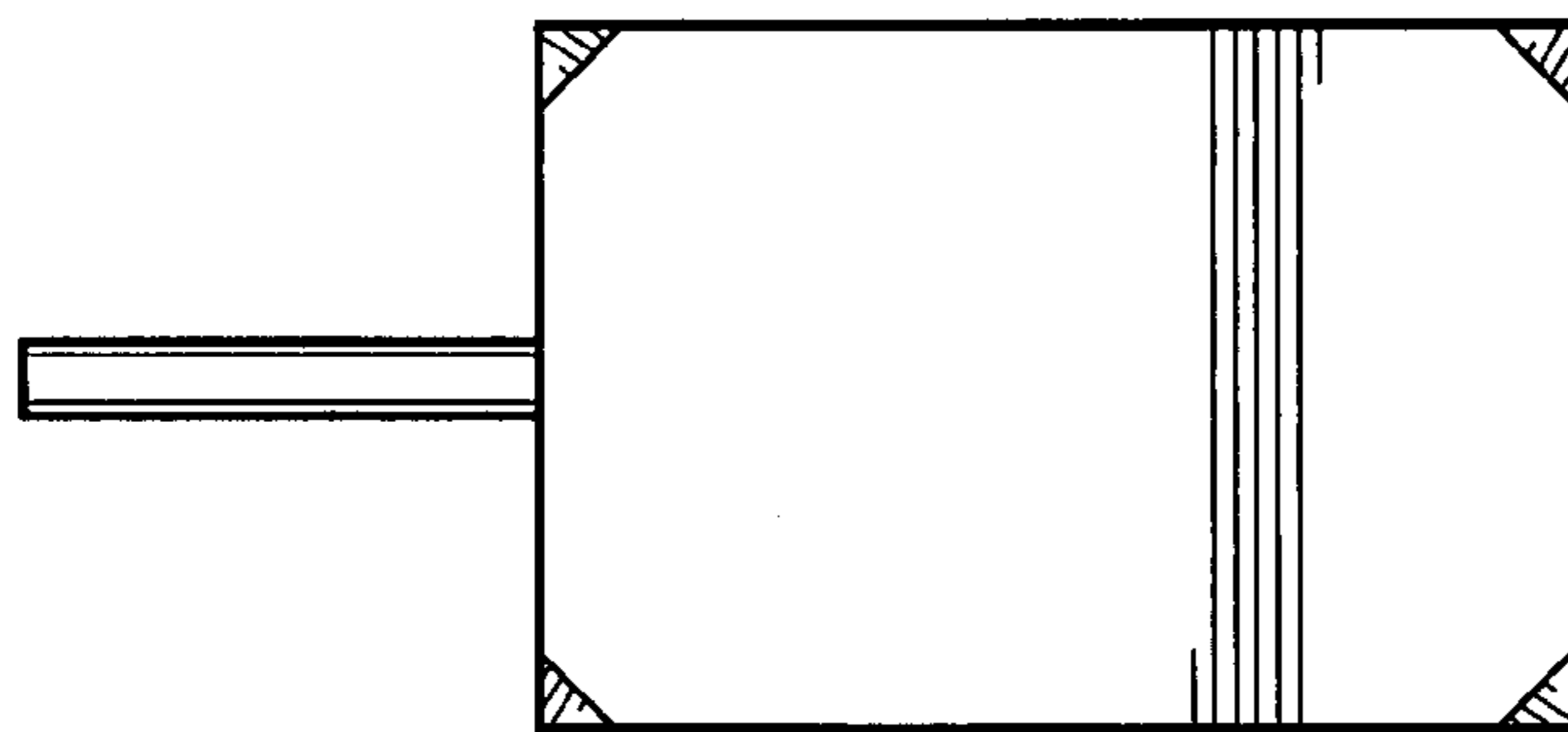


FIG. 5

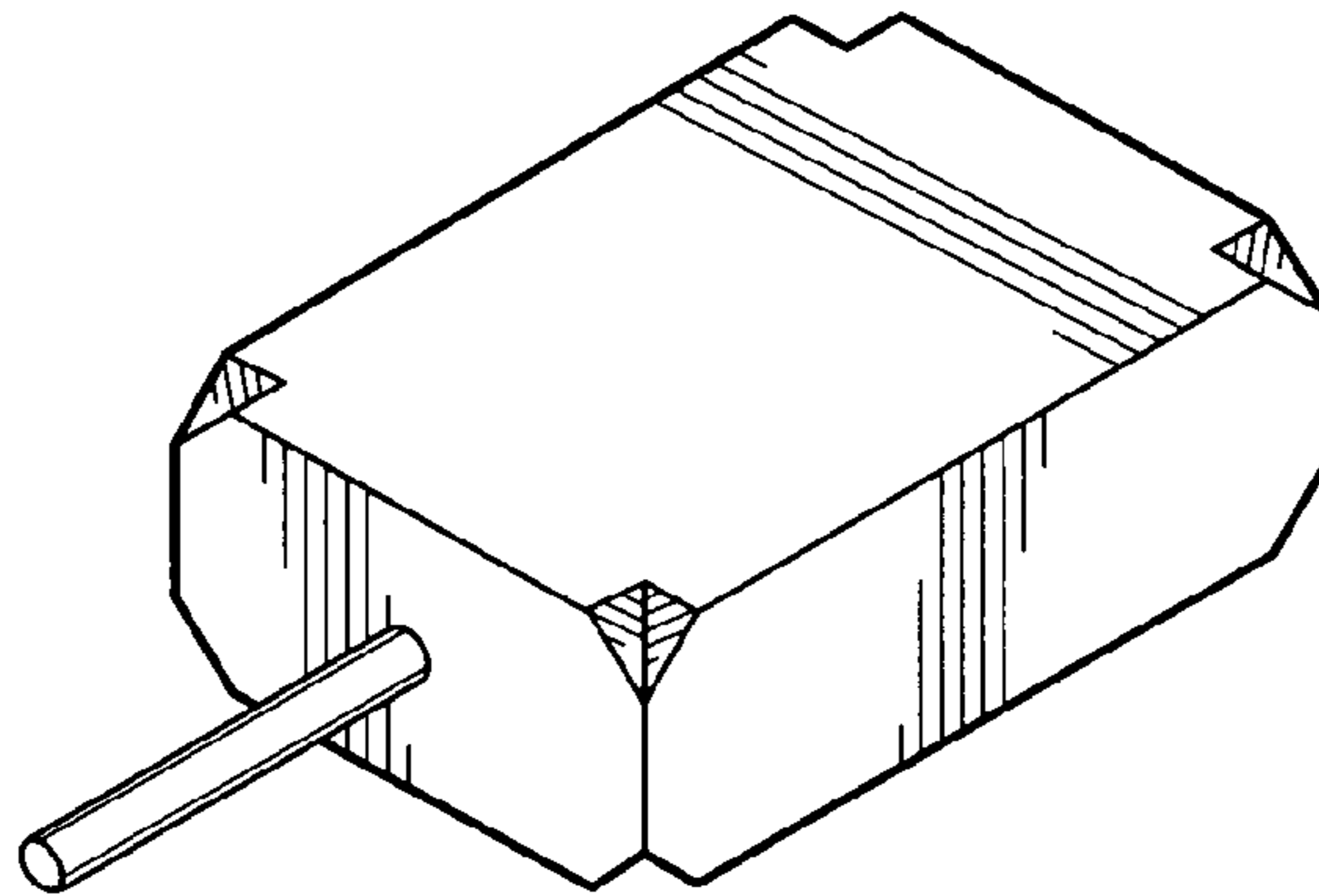


FIG. 6

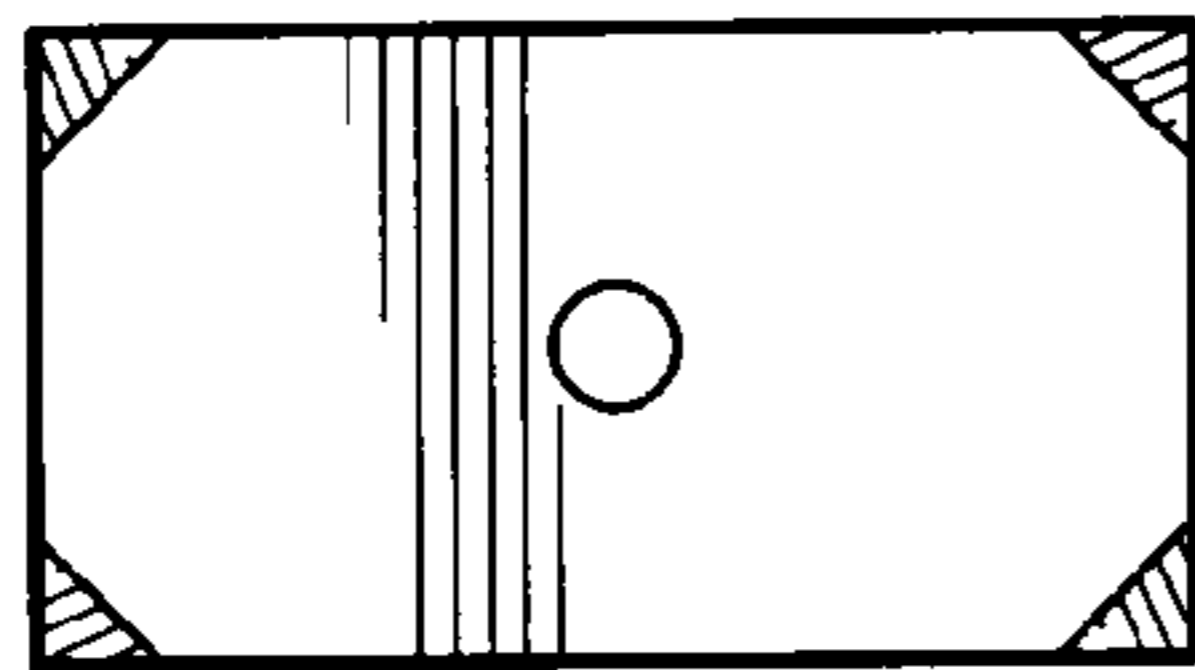


FIG. 7



FIG. 8

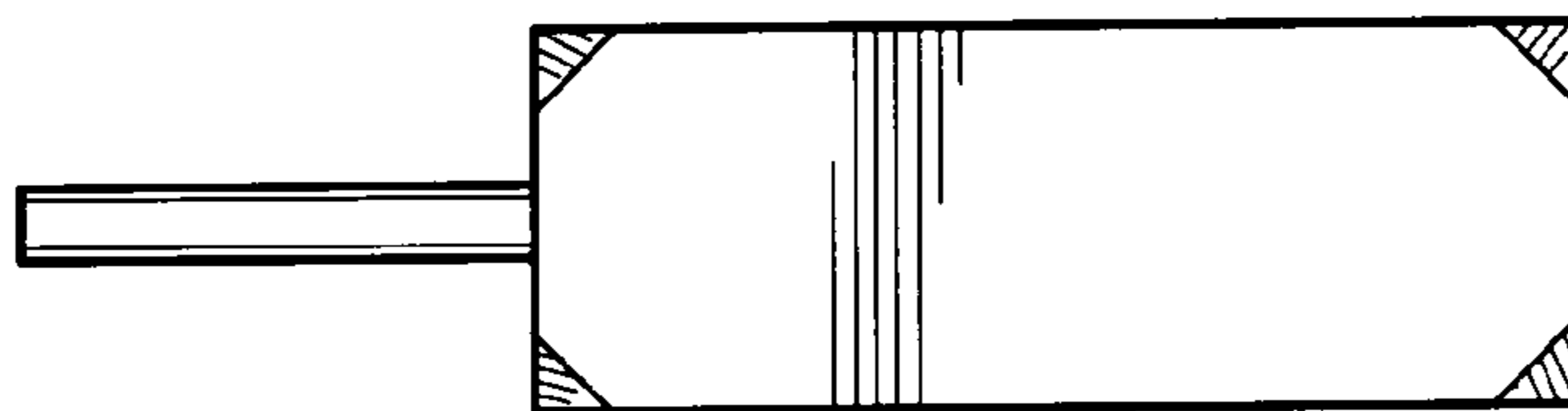


FIG. 9

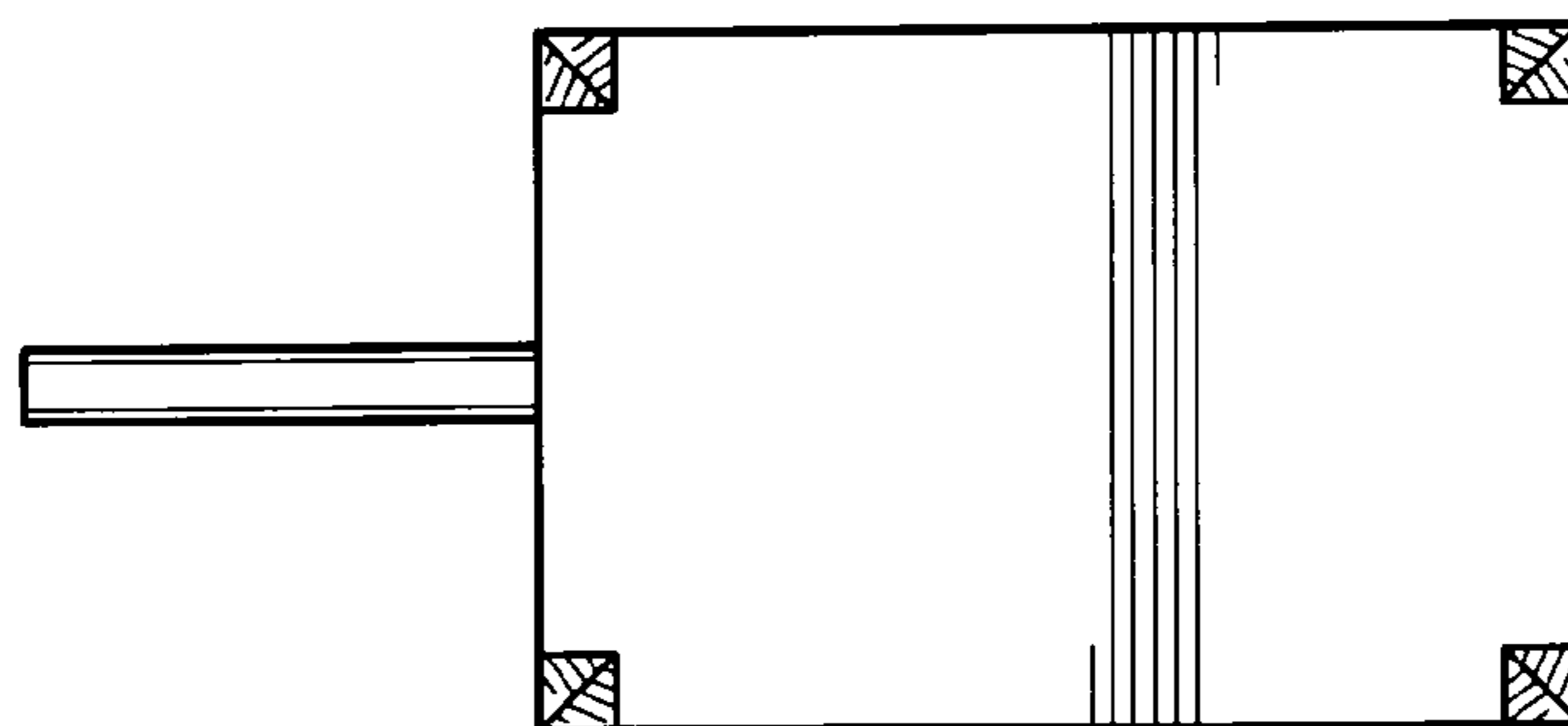


FIG. 10