



US00D586766S

(12) **United States Design Patent**
Imai et al.

(10) **Patent No.:** **US D586,766 S**
(45) **Date of Patent:** **** Feb. 17, 2009**

- (54) **LIGHT-EMITTING DIODE FOR ILLUMINATING AN OBJECT**
- (75) Inventors: **Sadato Imai**, Hachiouji (JP); **Masayoshi Kanamori**, Kunitachi (JP)
- (73) Assignee: **Citizen Electronics Co., Ltd.**, Yamanashi (JP)
- (**) Term: **14 Years**
- (21) Appl. No.: **29/322,832**
- (22) Filed: **Aug. 13, 2008**

Related U.S. Application Data

- (62) Division of application No. 29/244,504, filed on Dec. 12, 2005, now Pat. No. Des. 575,243.

Foreign Application Priority Data

- (30) Jun. 13, 2005 (JP) 2005-16997
- Jun. 13, 2005 (JP) 2005-16998
- Jun. 13, 2005 (JP) 2005-16999
- Jun. 13, 2005 (JP) 2005-17000
- Jun. 13, 2005 (JP) 2005-17001
- Jun. 13, 2005 (JP) 2005-17002
- Jun. 13, 2005 (JP) 2005-17003

- (51) **LOC (9) Cl.** **13-03**
- (52) **U.S. Cl.** **D13/180**
- (58) **Field of Classification Search** D13/180;
D26/2; 257/79, 80, 81, 88, 89, 95, 98, 99,
257/100; 313/483, 498, 500; 362/219, 249,
362/255, 800
See application file for complete search history.

References Cited

U.S. PATENT DOCUMENTS

- 5,103,382 A 4/1992 Kondo et al.

- 6,031,958 A 2/2000 McGaffigan
- 6,056,420 A 5/2000 Wilson et al.
- 6,882,111 B2 4/2005 Kan et al.
- 7,044,620 B2 5/2006 Van Duyn
- D531,139 S 10/2006 Egawa et al.
- 7,165,863 B1 1/2007 Thomas et al.
- D575,243 S * 8/2008 Imai et al. D13/180
- 2003/0193803 A1 10/2003 Lin
- 2003/0214810 A1 11/2003 Zhang
- 2004/0017688 A1 1/2004 Liu
- 2004/0223328 A1 11/2004 Lee et al.
- 2005/0094394 A1 5/2005 Padiyath et al.

* cited by examiner

Primary Examiner—Selina Sikder

(74) *Attorney, Agent, or Firm*—Browdy and Neimark, P.L.L.C.

(57) **CLAIM**

The ornamental design for a light-emitting diode for illuminating an object, as shown and described.

DESCRIPTION

FIG. 1 is a perspective view of a light-emitting diode for illuminating an object in accordance with the present design;

FIG. 2 is a top plan view thereof;

FIG. 3 is a bottom plan view thereof;

FIG. 4 is an end view thereof, a view of the other end being a mirror image thereof;

FIG. 5 is a side view thereof, a view of the other side being a mirror image thereof; and,

FIG. 6 is a perspective view of an array of a plurality of the diodes of FIGS. 1–5 mounted on the cylindrical surface of a circularly cylindrical substrate wherein the broken lines are shown for illustrative purposes only and no part of the claimed design.

1 Claim, 3 Drawing Sheets

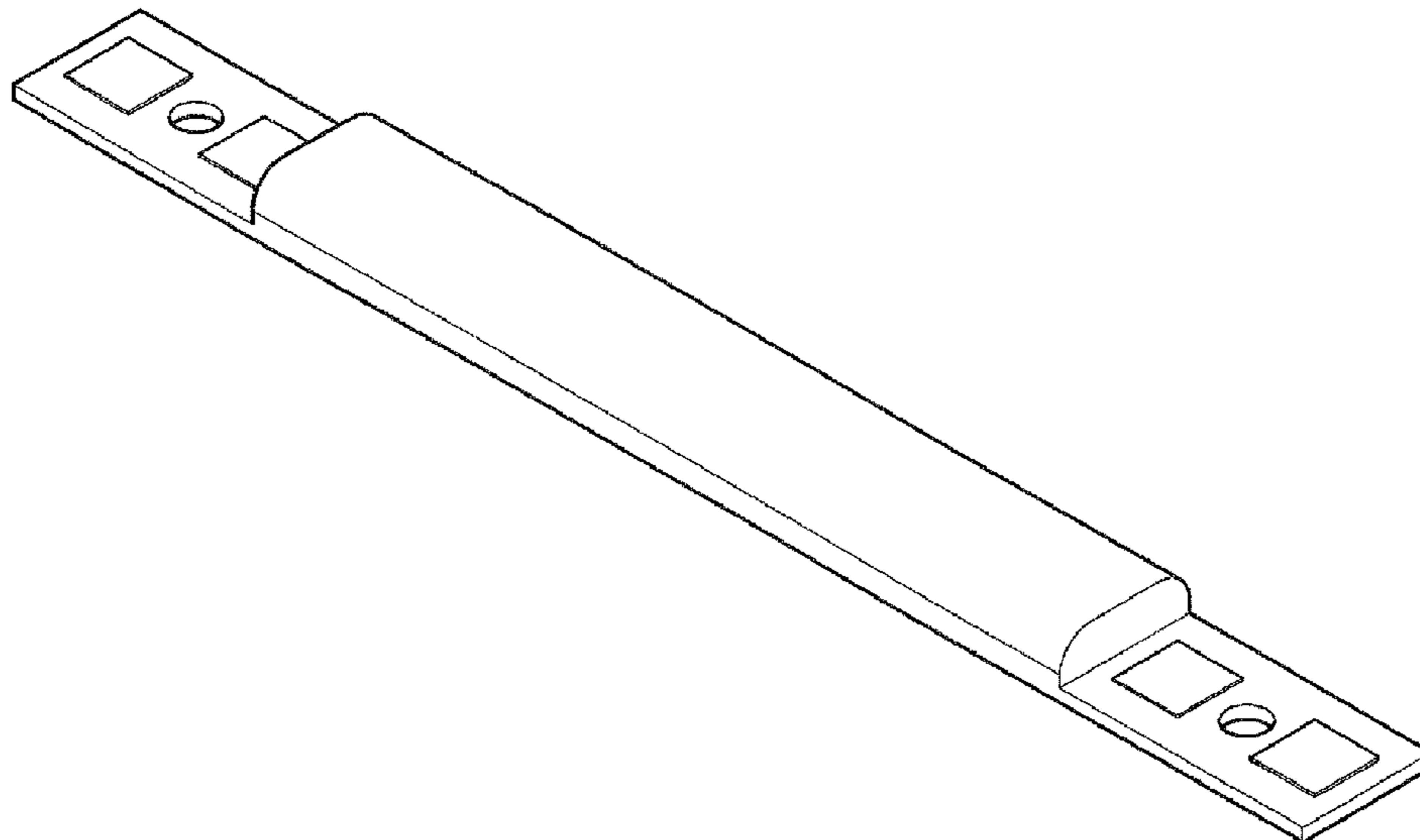


Fig. 1

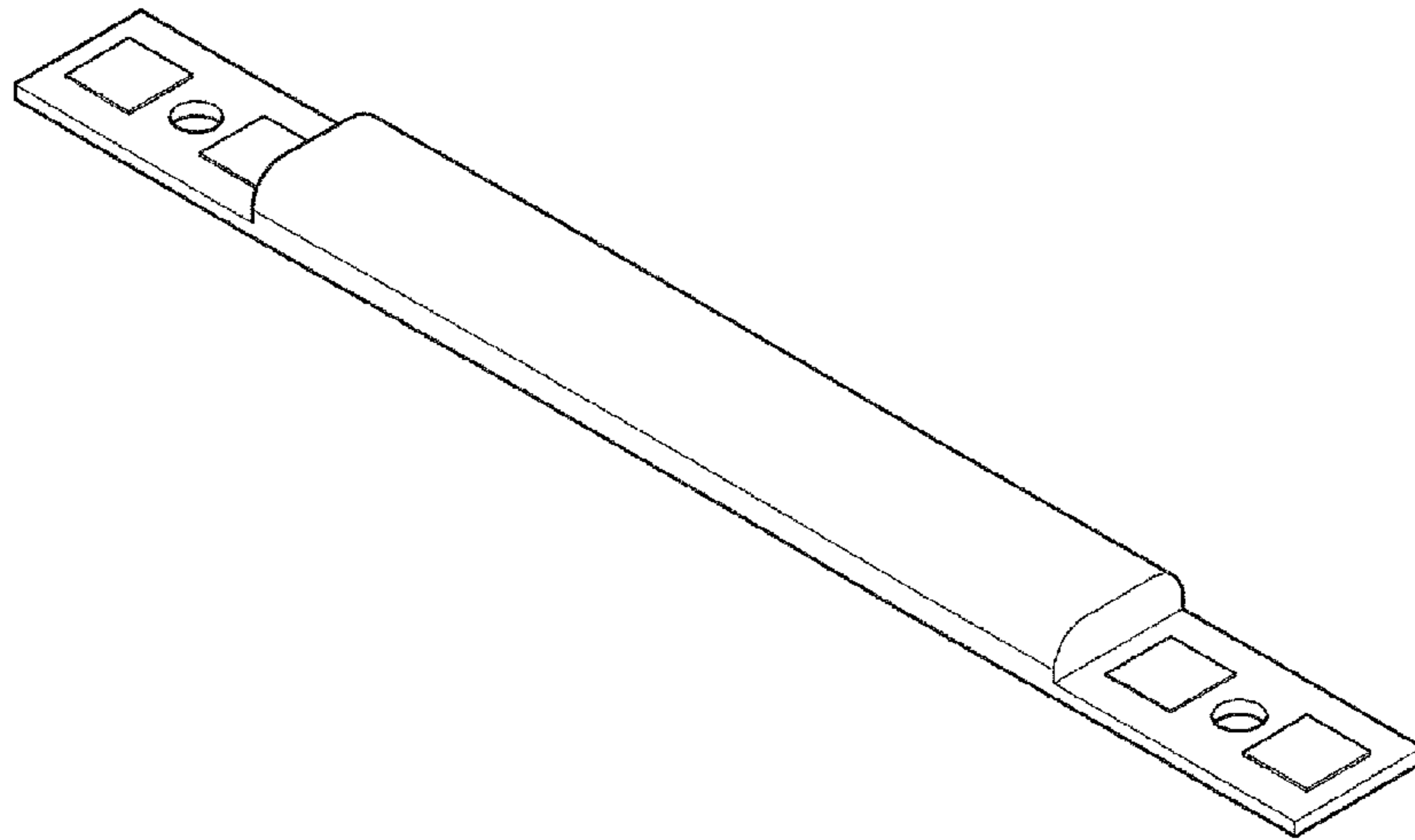


Fig. 2



Fig. 3



Fig. 4

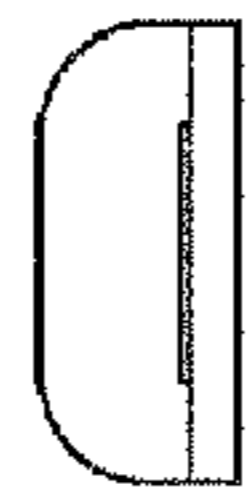


Fig. 5

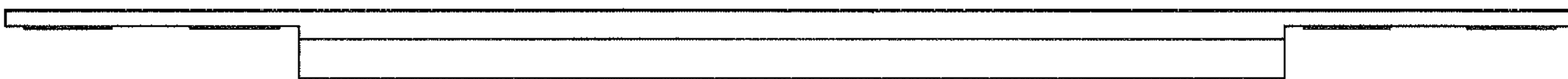


Fig. 6

