



US00D586765S

(12) **United States Design Patent**
Won et al.

(10) **Patent No.:** **US D586,765 S**

(45) **Date of Patent:** **** Feb. 17, 2009**

(54) **LIGHT-EMITTING DIODE**

(75) Inventors: **Yu Ho Won**, Seoul (KR); **Geun Ho Kim**, Seoul (KR)

(73) Assignee: **LG Electronics Inc.**, Seoul (KR)

(**) Term: **14 Years**

(21) Appl. No.: **29/290,930**

(22) Filed: **Jan. 31, 2008**

(51) **LOC (9) Cl.** **13-03**

(52) **U.S. Cl.** **D13/180**

(58) **Field of Classification Search** D13/180;
D26/2; 257/79, 80, 81, 88, 89, 95, 98, 99,
257/100; 313/483, 498, 500; 362/555, 800
See application file for complete search history.

(56) **References Cited**

U.S. PATENT DOCUMENTS

6,274,924	B1 *	8/2001	Carey et al.	257/676
6,393,698	B1 *	5/2002	Kuriyama et al.	29/883
D505,396	S *	5/2005	Hoshiba	D13/180
D509,489	S *	9/2005	Kamada	D13/180
D528,997	S *	9/2006	Jung et al.	D13/180

D534,503	S *	1/2007	Jung et al.	D13/180
D542,743	S *	5/2007	Jung et al.	D13/180
D559,804	S *	1/2008	Lee	D13/180

* cited by examiner

Primary Examiner—Selina Sikder

(74) *Attorney, Agent, or Firm*—Morgan Lewis & Bockius LLP

(57) **CLAIM**

The ornamental design for a light-emitting diode, as shown and described.

DESCRIPTION

FIG. 1 is a perspective of the light-emitting diode showing the new design;

FIG. 2 is a front view thereof the rear view being a mirror image;

FIG. 3 is a left side view thereof the right side view being a mirror image;

FIG. 4 is a top view thereof;

FIG. 5 is a bottom view thereof; and,

FIG. 6 is a sectional view taken along line 6—6 in FIG. 4.

1 Claim, 3 Drawing Sheets

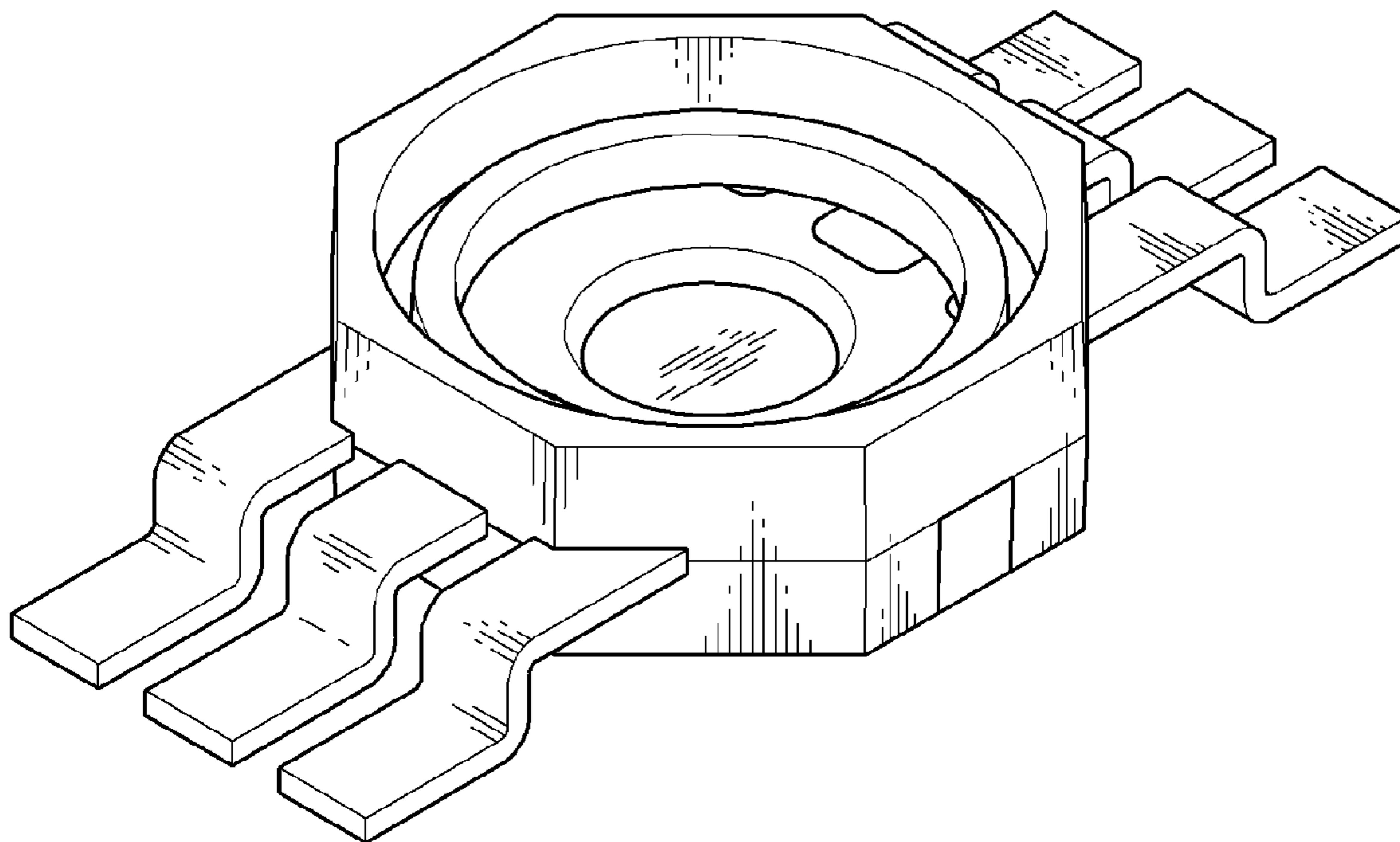


FIG. 1

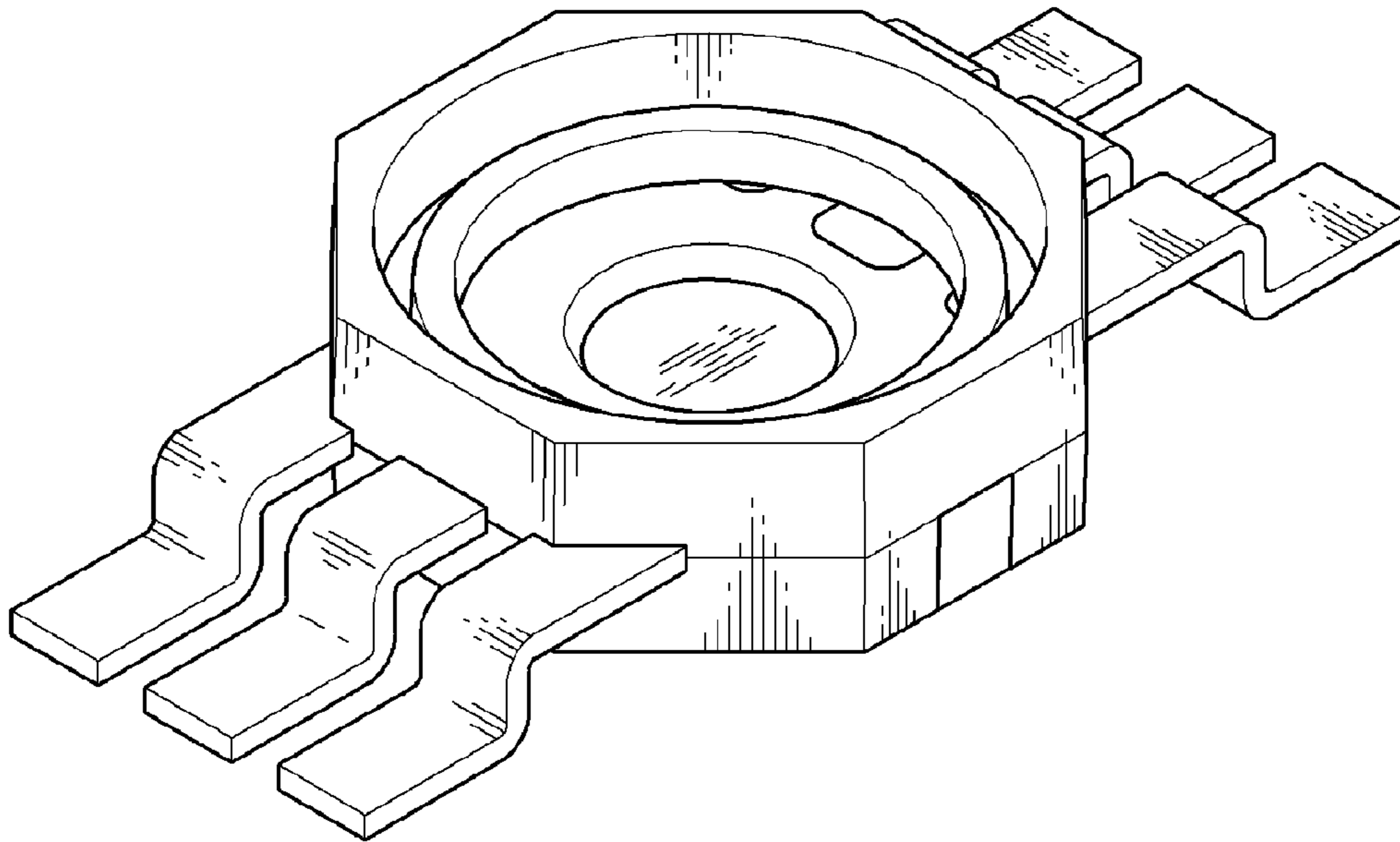


FIG. 2

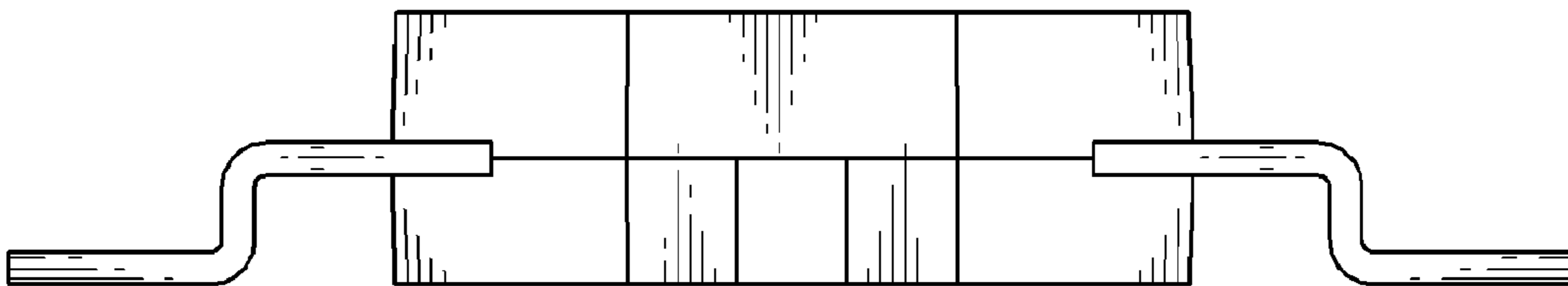


FIG. 3

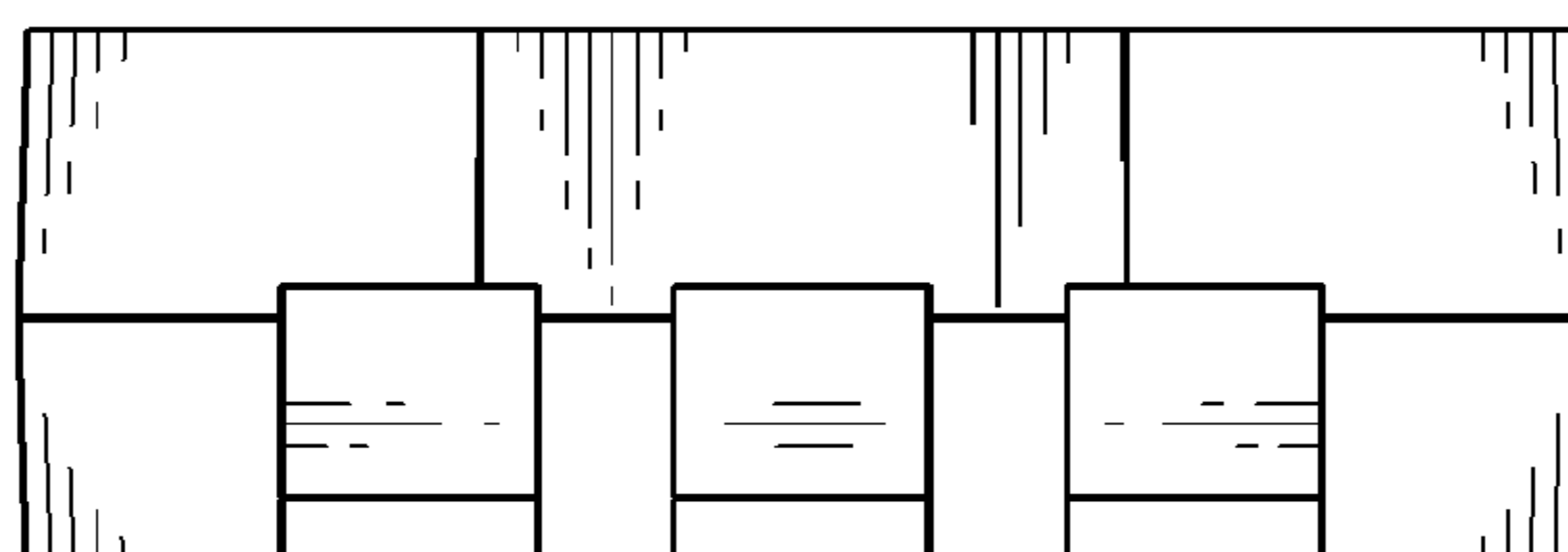


FIG. 4

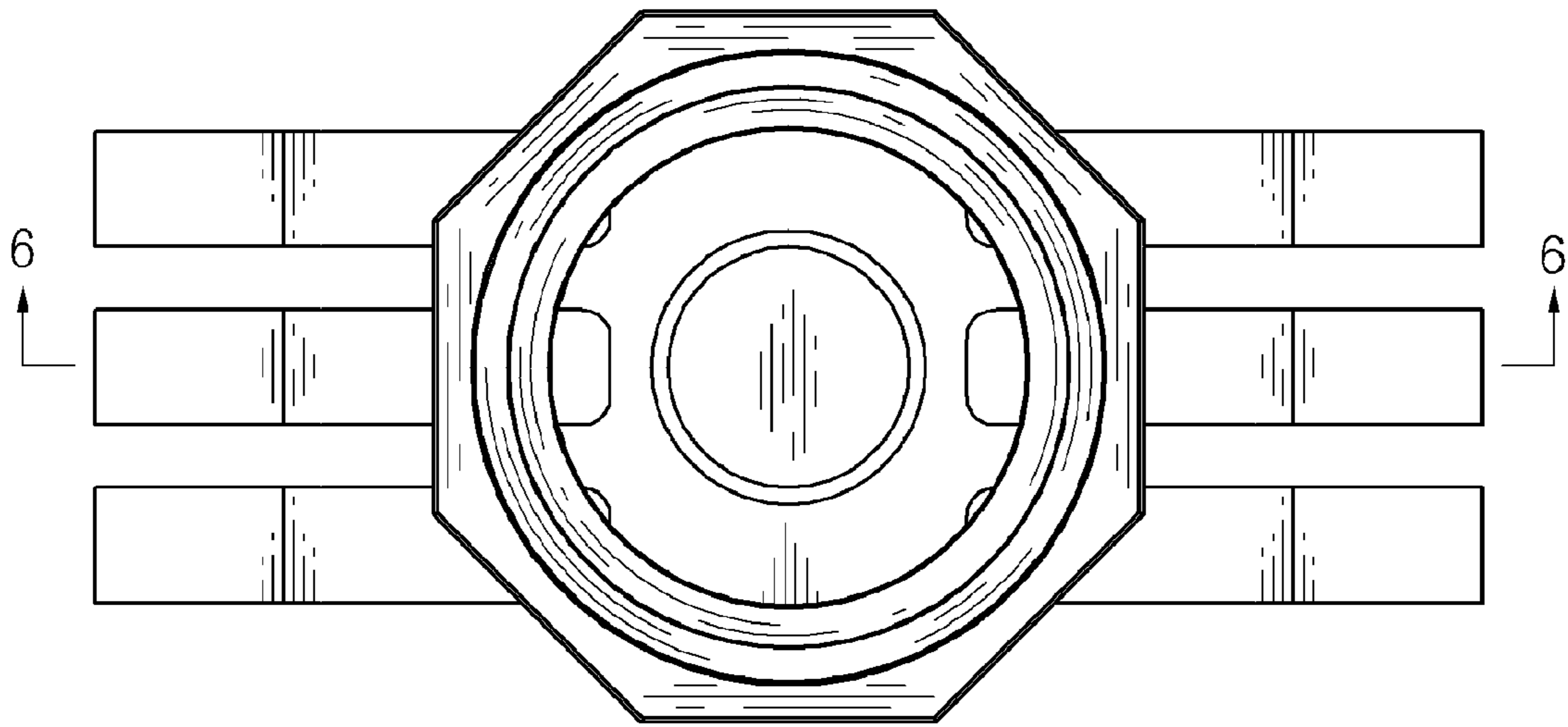


FIG. 5

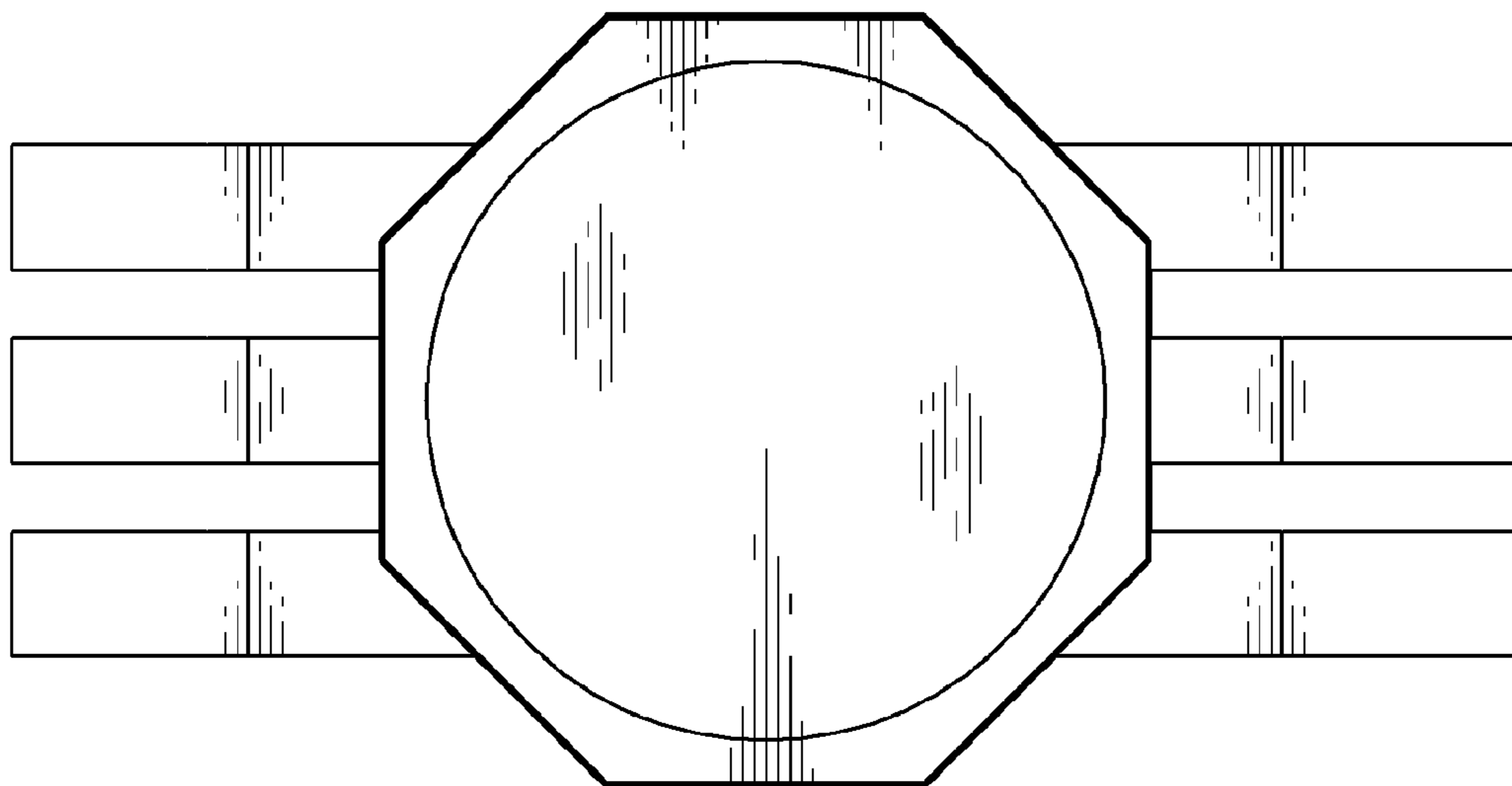


FIG. 6

