



US00D586761S

(12) **United States Design Patent**
Ni

(10) **Patent No.:** **US D586,761 S**

(45) **Date of Patent:** **** Feb. 17, 2009**

(54) **FAN SPEED CONTROL**

(75) Inventor: **LiDong Ni, Yueqing (CN)**

(73) Assignee: **Use Lighting Control, Inc., El Monte, CA (US)**

(**) Term: **14 Years**

(21) Appl. No.: **29/272,060**

(22) Filed: **Jan. 31, 2007**

(51) **LOC (9) Cl.** **13-03**

(52) **U.S. Cl.** **D13/170; D13/169**

(58) **Field of Classification Search** D13/158,
D13/169, 170; 174/66; 200/5 R, 530, 531,
200/536, 547, 550, 252, 293, 296, 315, 333,
200/335, 329; 338/176; 315/291-296
See application file for complete search history.

(56) **References Cited**

U.S. PATENT DOCUMENTS

D241,853	S *	10/1976	Spira et al.	D13/170
4,833,277	A *	5/1989	Jacoby et al.	174/66
4,947,054	A *	8/1990	Flowers et al.	307/125
5,191,971	A *	3/1993	Hakkarainen et al.	200/550
D405,061	S *	2/1999	Thomas	D13/170
D437,584	S *	2/2001	Radosavljevic et al.	D13/170
6,198,631	B1 *	3/2001	Radosavljevic et al.	361/704

D457,145	S *	5/2002	Pagano et al.	D13/169
D457,863	S *	5/2002	Jacoby	D13/170
D463,382	S *	9/2002	Jacoby	D13/170
D464,629	S *	10/2002	Dowd et al.	D13/170
2007/0272535	A1 *	11/2007	Sloan et al.	200/550

* cited by examiner

Primary Examiner—Selina Sikder

(74) *Attorney, Agent, or Firm*—Law Offices of S.J. Christine Yang

(57) **CLAIM**

The ornamental design for a fan speed control, as shown and described.

DESCRIPTION

FIG. 1 is a perspective view.

FIG. 2 is a front view thereof.

FIG. 3 is a left side view thereof.

FIG. 4 is a right side view thereof.

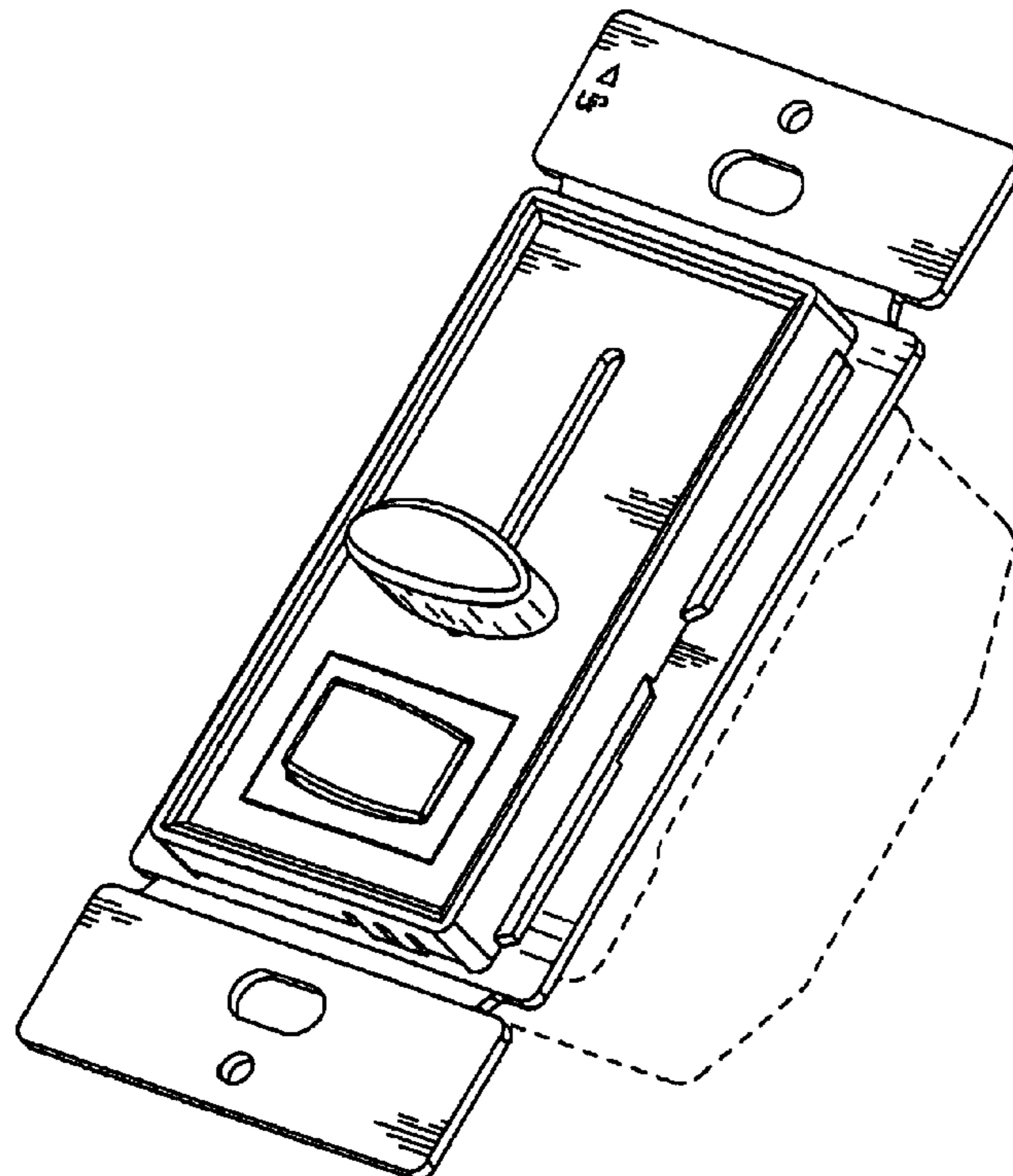
FIG. 5 is a top view thereof; and,

FIG. 6 is a bottom view thereof.

The rear view is unornamented.

The broken lines represent unclaimed subject matter.

1 Claim, 6 Drawing Sheets



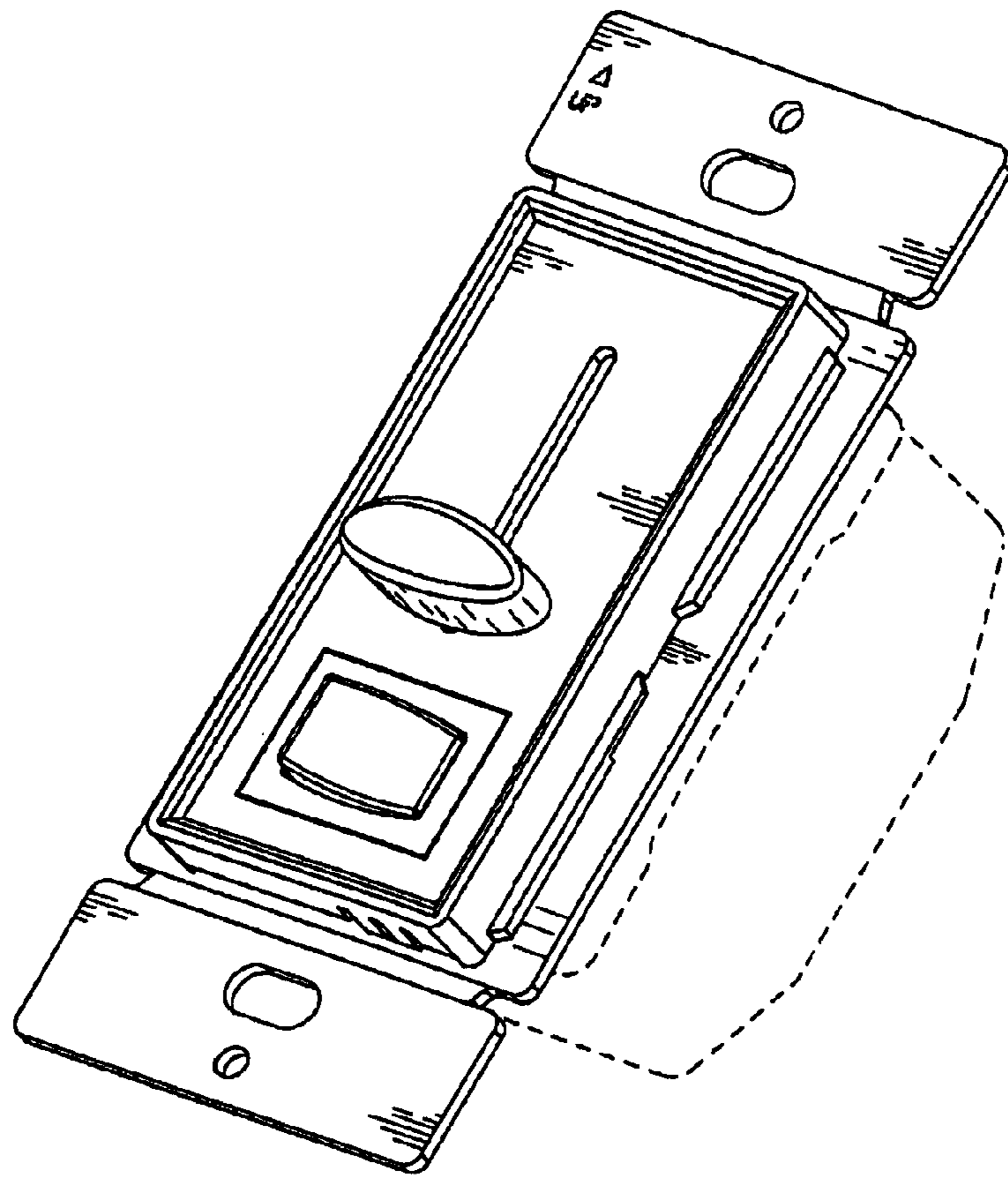


FIG. 1

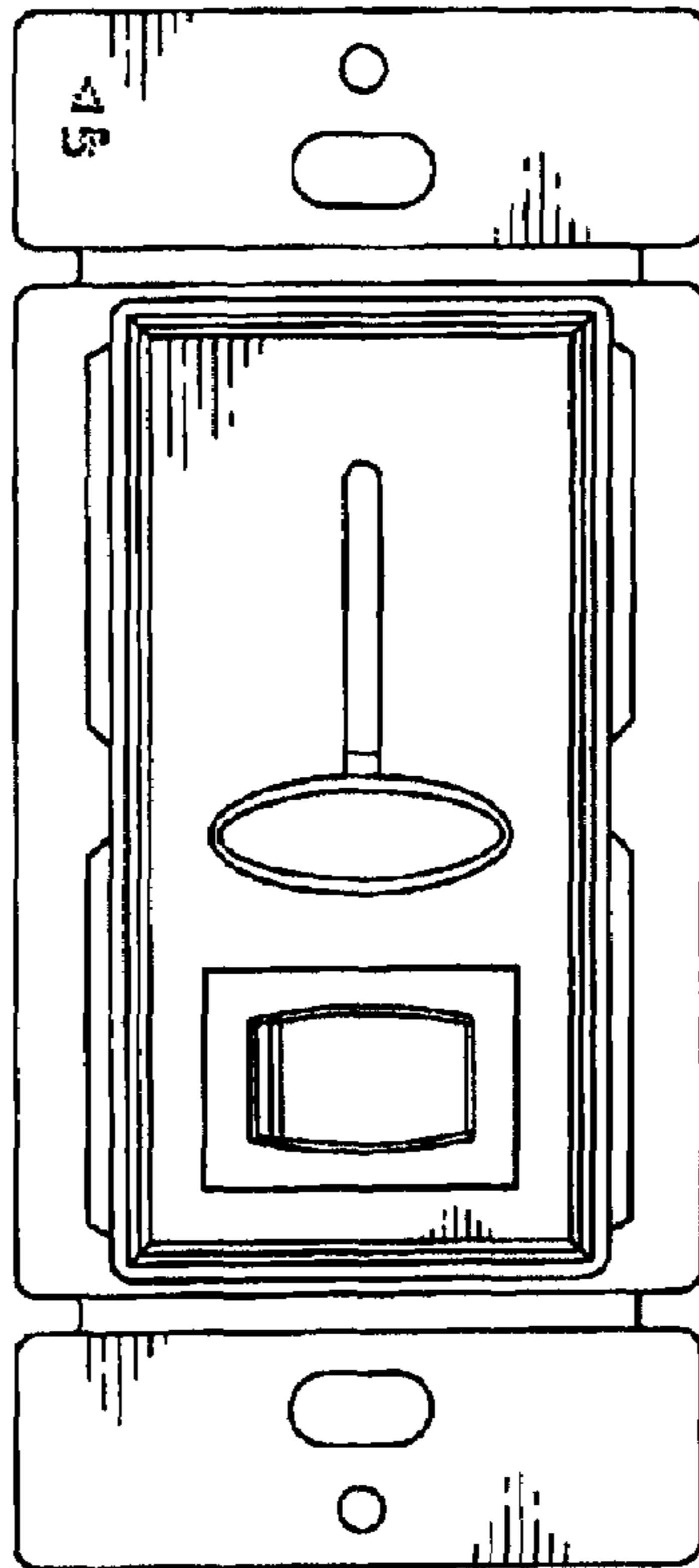


FIG. 2

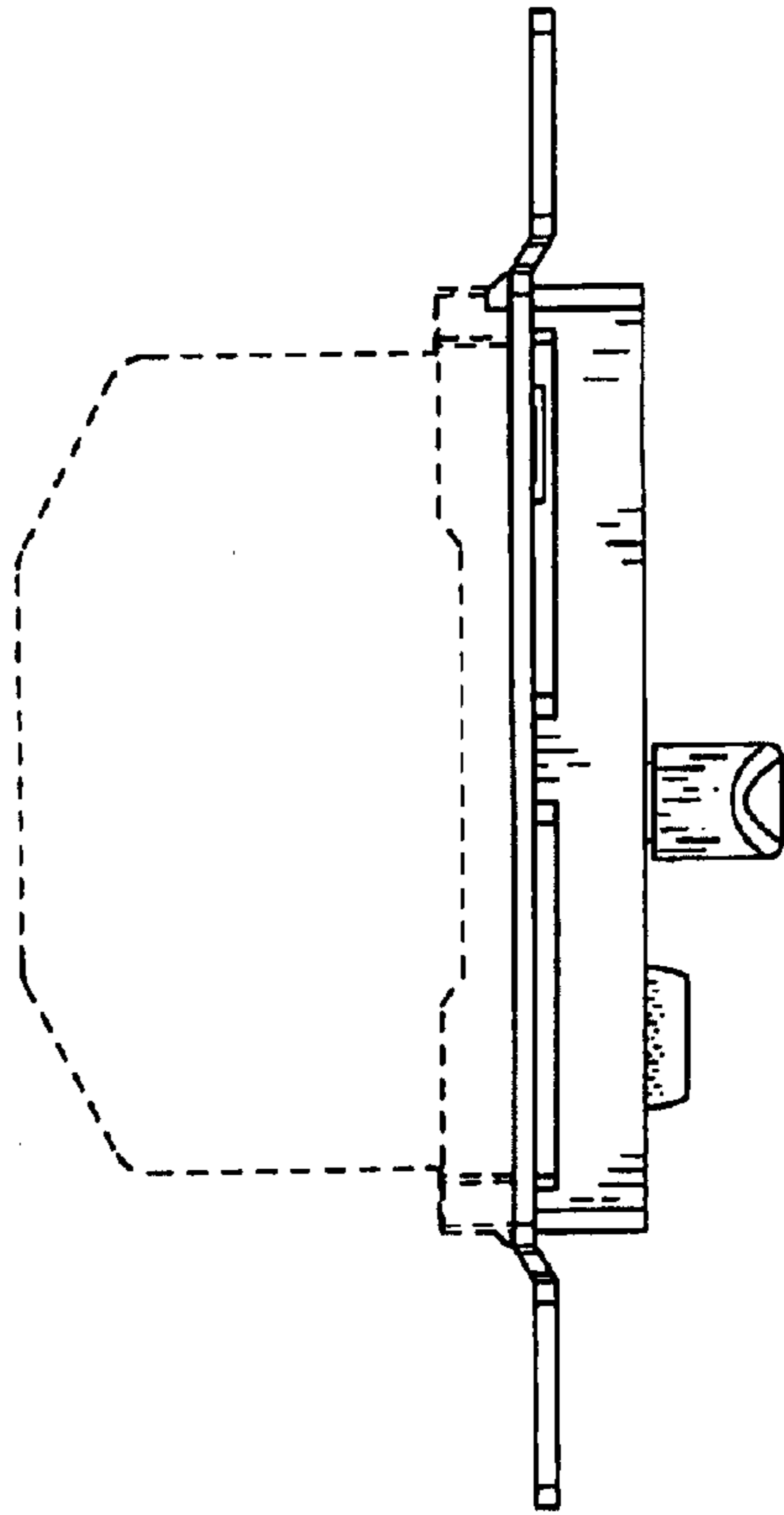


FIG. 3

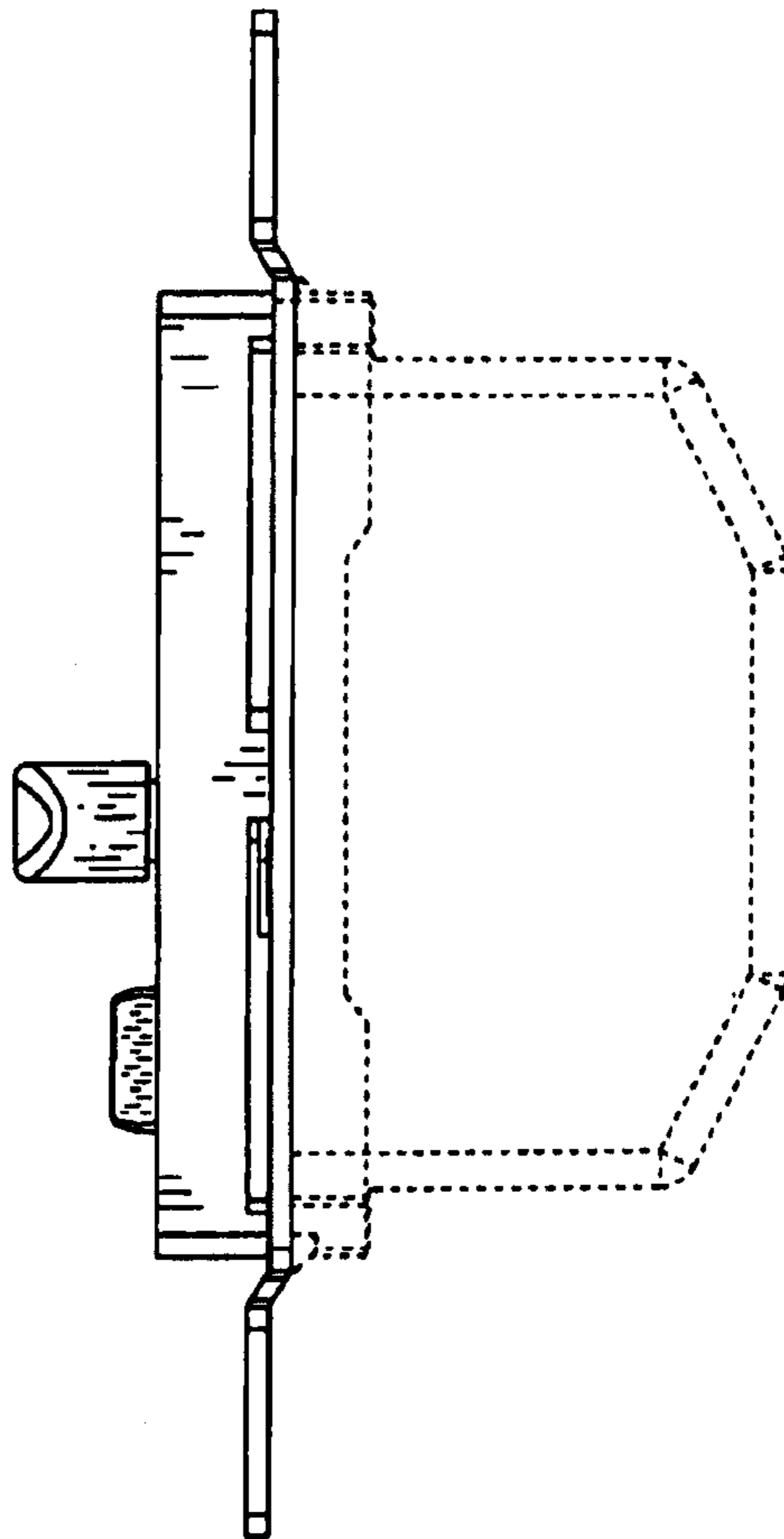


FIG. 4

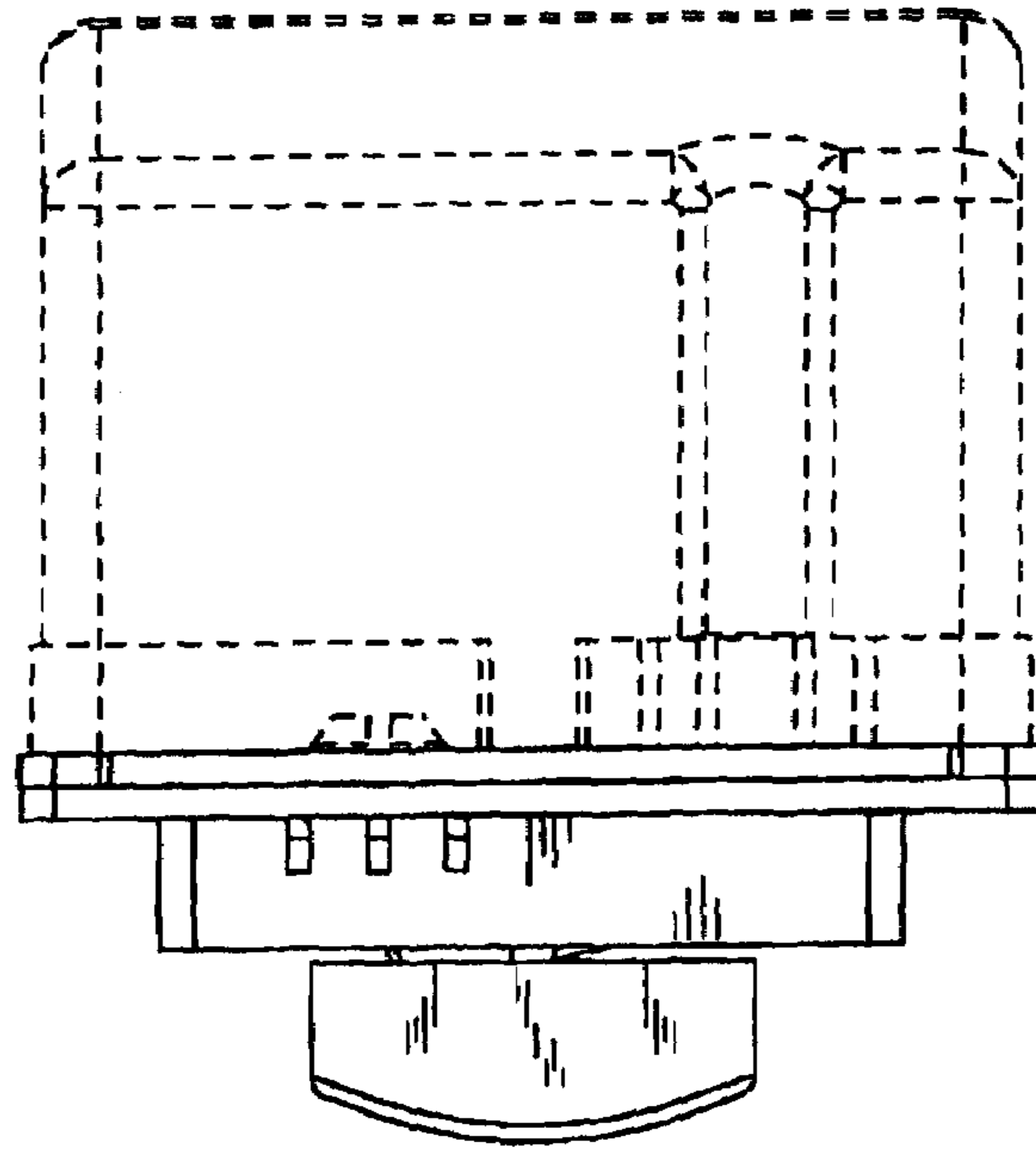


FIG. 5

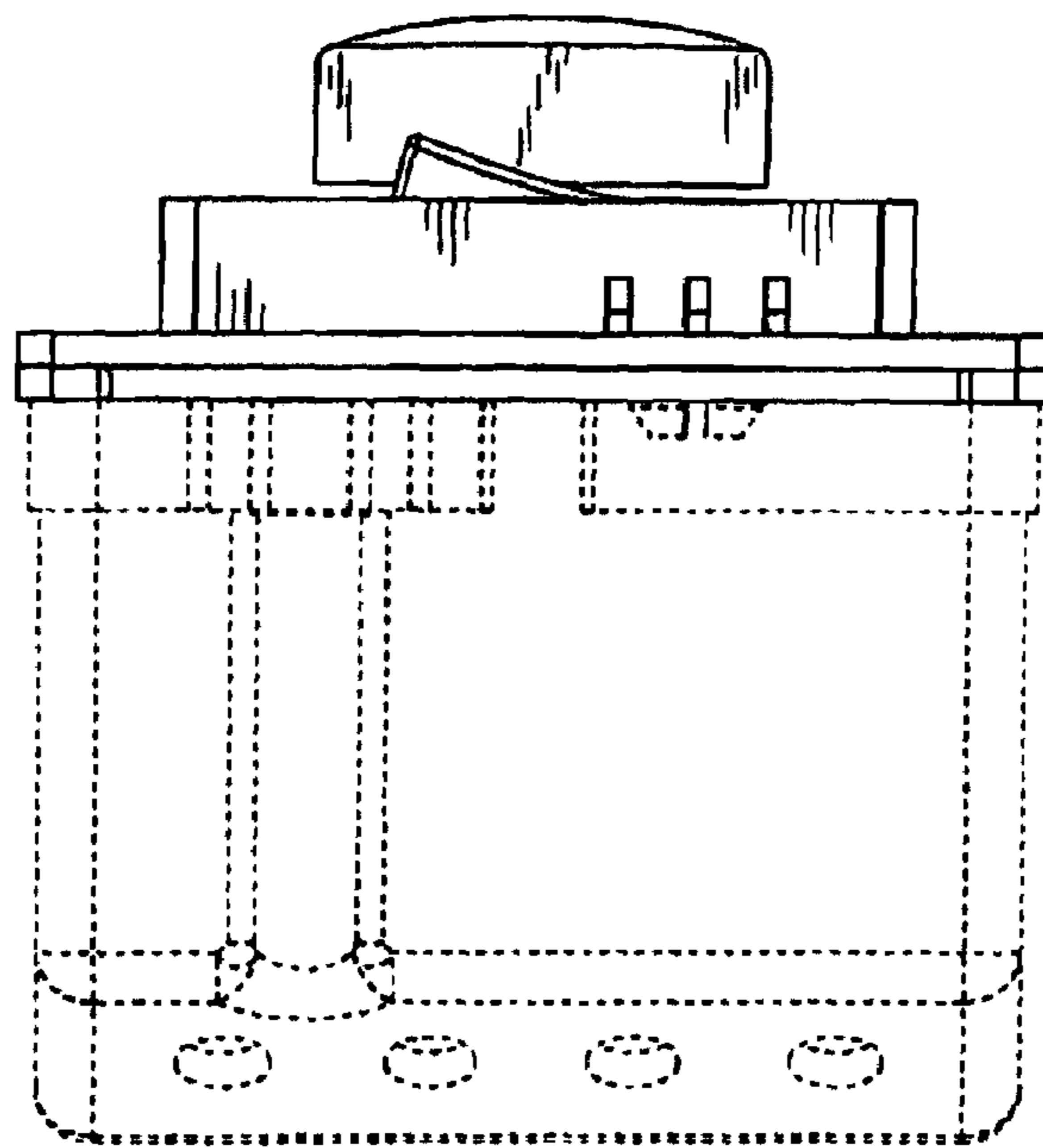


FIG. 6