



US00D586759S

(12) **United States Design Patent**
Victor

(10) **Patent No.:** **US D586,759 S**

(45) **Date of Patent:** **** Feb. 17, 2009**

(54) **CABLE SPLITTER**

D574,785 S * 8/2008 Victor D13/154

(76) **Inventor:** **Jay Victor**, 2017 Bataan Rd., Unit A,
Redondo Beach, CA (US) 90278

* cited by examiner

Primary Examiner—Brian N Vinson

(74) *Attorney, Agent, or Firm*—Trojan Law Offices

(**) **Term:** **14 Years**

(21) **Appl. No.:** **29/325,497**

(57) **CLAIM**

(22) **Filed:** **Oct. 1, 2008**

The ornamental design for a cable splitter, as shown and described.

(51) **LOC (9) Cl.** **13-03**

DESCRIPTION

(52) **U.S. Cl.** **D13/156**

(58) **Field of Classification Search** D13/133,
D13/138.1, 154, 156, 184; 439/447, 483,
439/586, 578, 606–610, 668–669, 675–676,
439/889, 892

FIG. 1 is a rear perspective view of a cable splitter, showing my new design;

FIG. 2 is a top view of the cable splitter shown in FIG. 1; a bottom view of the cable splitter shown in FIG. 1 is a mirror image of the top view shown;

See application file for complete search history.

FIG. 3 is a side view of the cable splitter shown in FIG. 1; the opposite side of the view shown in FIG. 3 is a mirror image of the side view shown;

(56) **References Cited**

U.S. PATENT DOCUMENTS

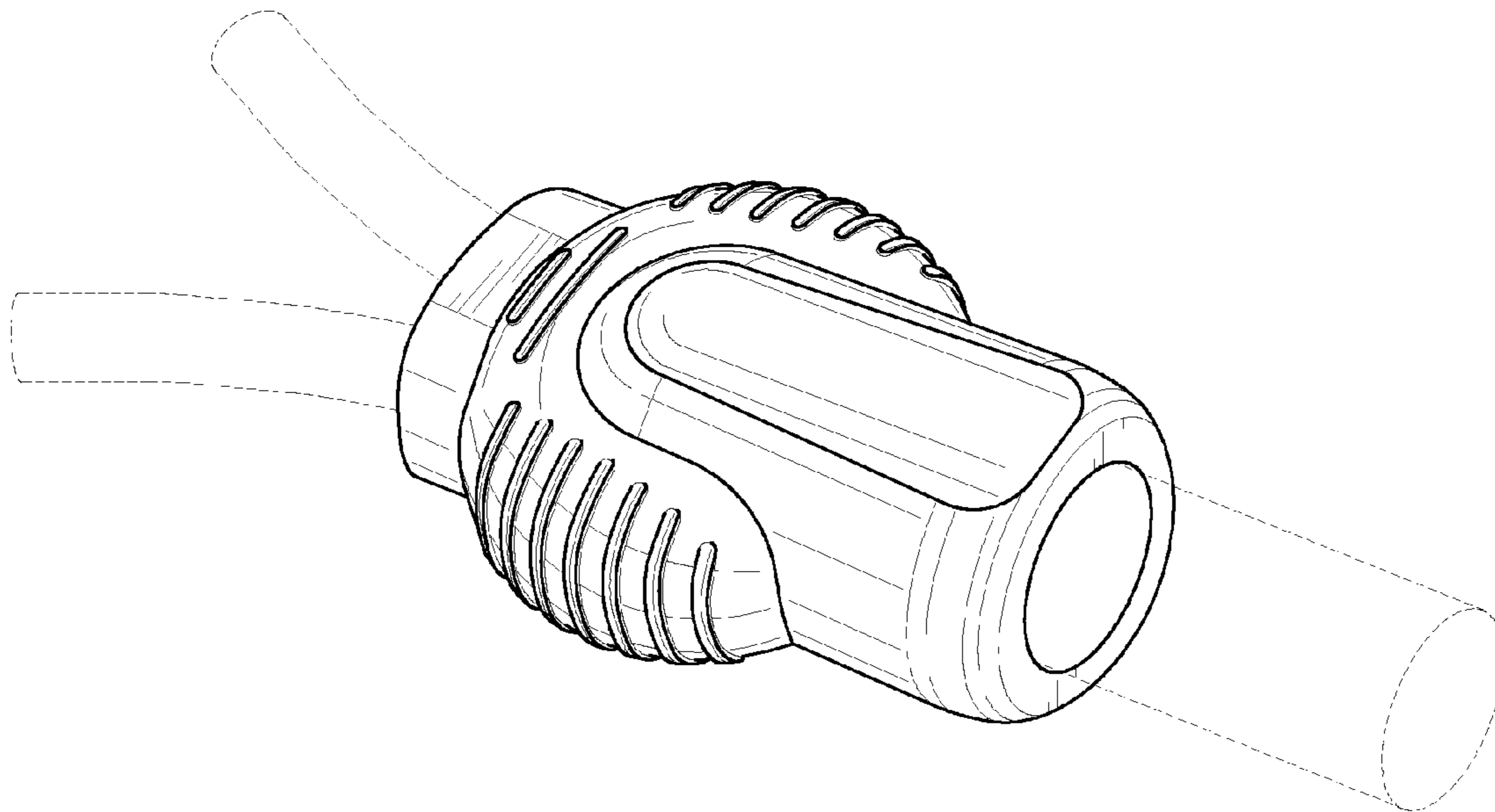
D425,860 S *	5/2000	Goto	D13/133
D559,183 S *	1/2008	Victor	D13/133
D559,193 S *	1/2008	Stavoe et al.	D13/154
D561,112 S *	2/2008	Victor	D13/154
D563,897 S *	3/2008	Lee et al.	D13/154
D563,899 S *	3/2008	Goetz et al.	D13/154
D568,822 S *	5/2008	Kuo	D13/154
D569,810 S *	5/2008	Victor	D13/154

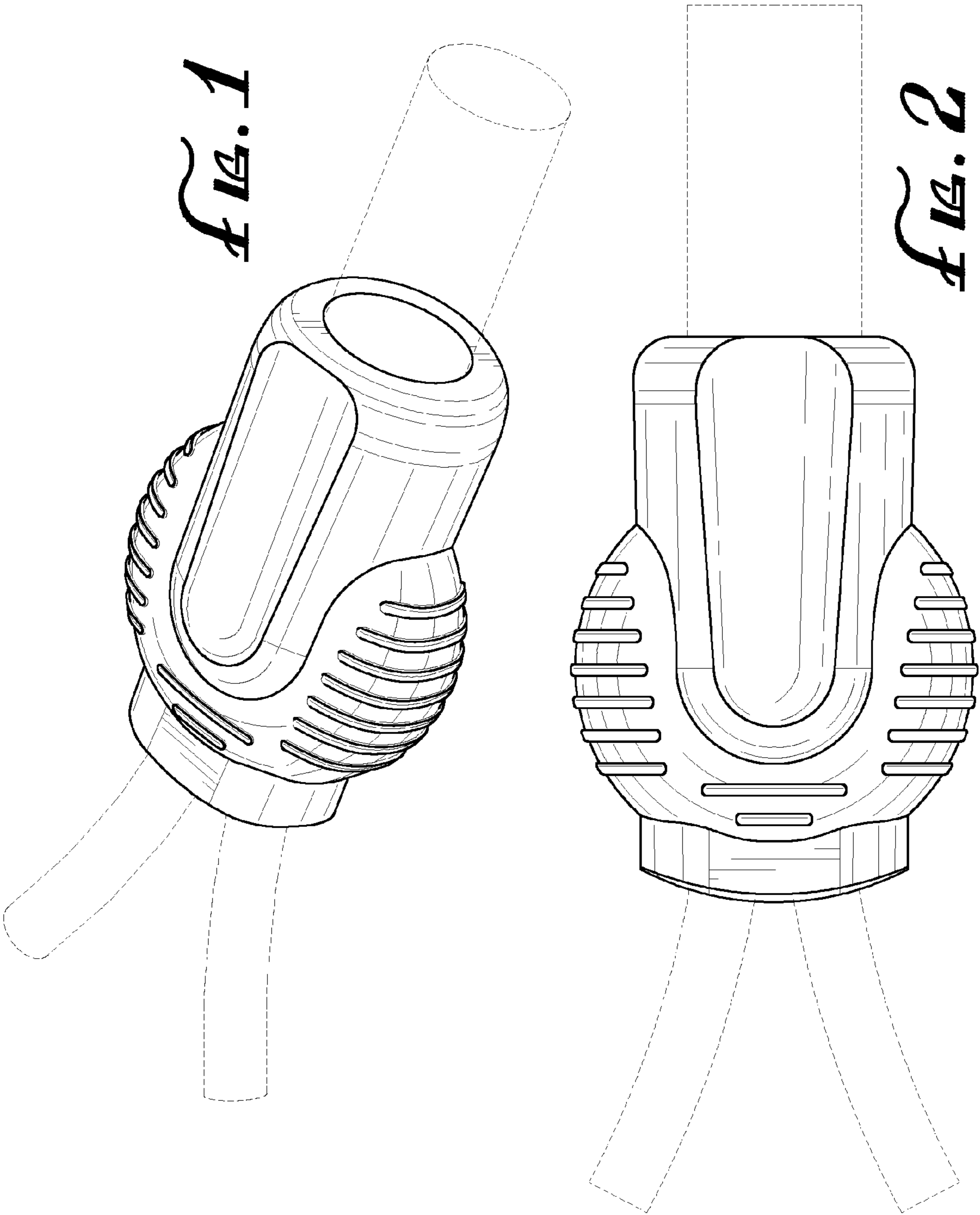
FIG. 4 is a front view of the cable splitter shown in FIG. 1; and,

FIG. 5 is a rear view of the cable splitter shown in FIG. 1.

The broken lines showing cable cords in FIGS. 1 through 5 are for illustrative purposes only and form no part of the claimed design.

1 Claim, 2 Drawing Sheets





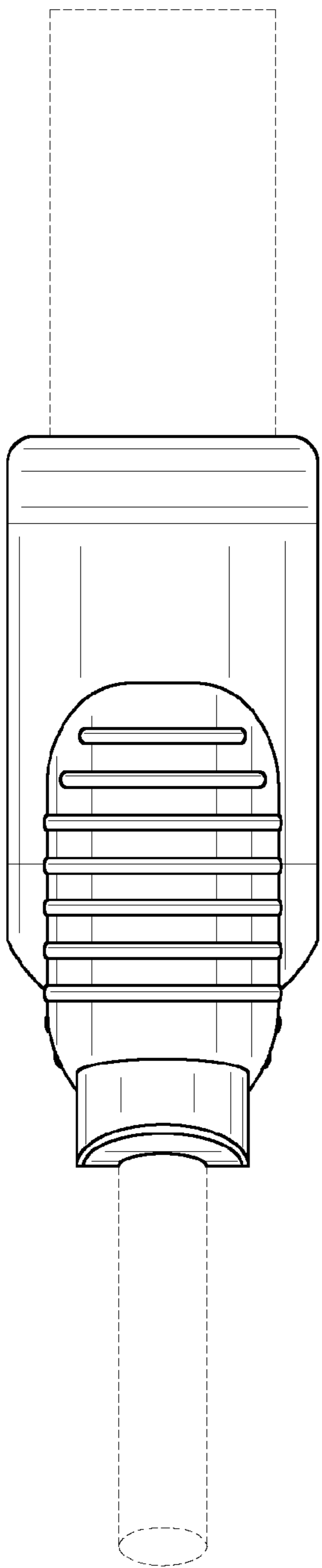


FIG. 3

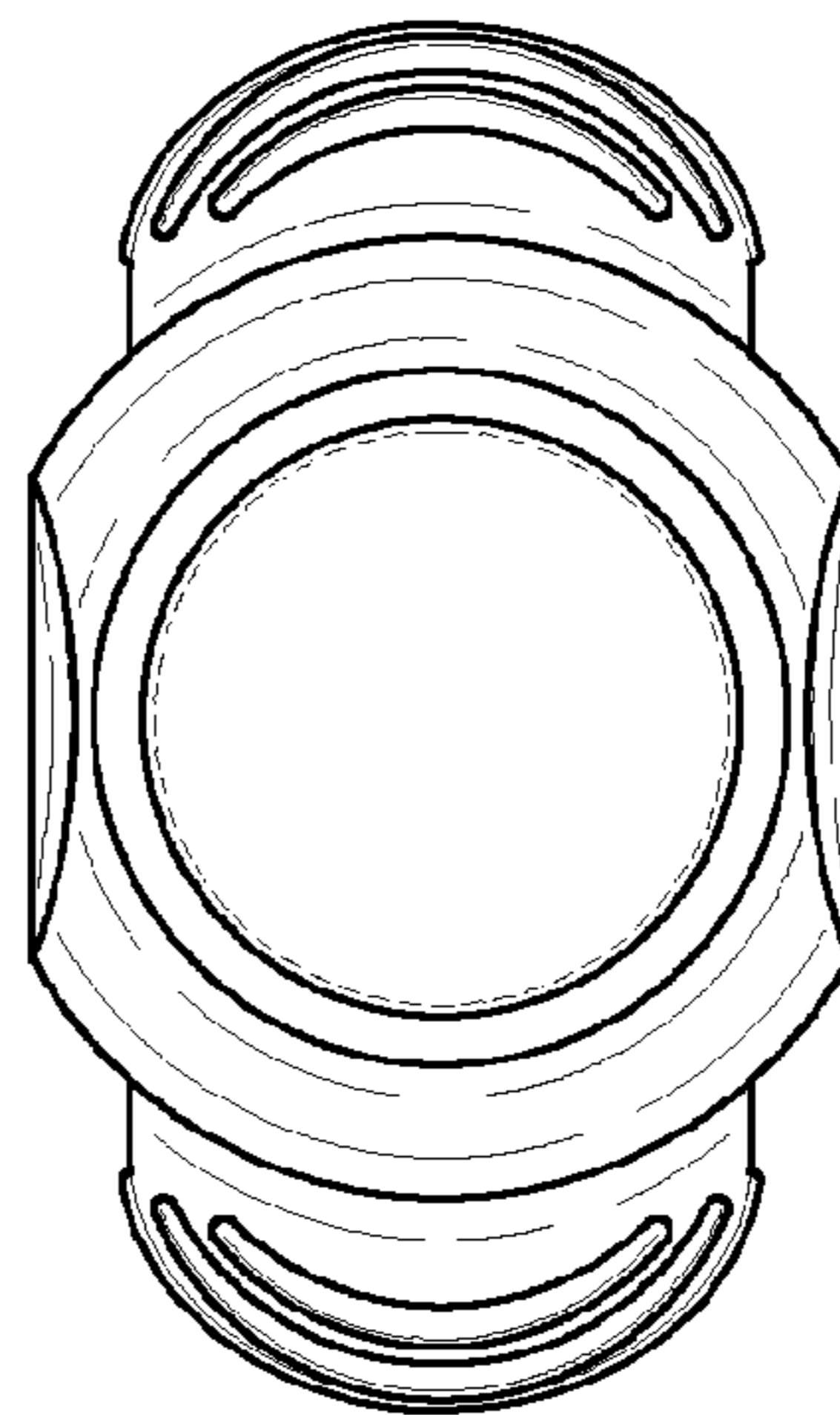


FIG. 5

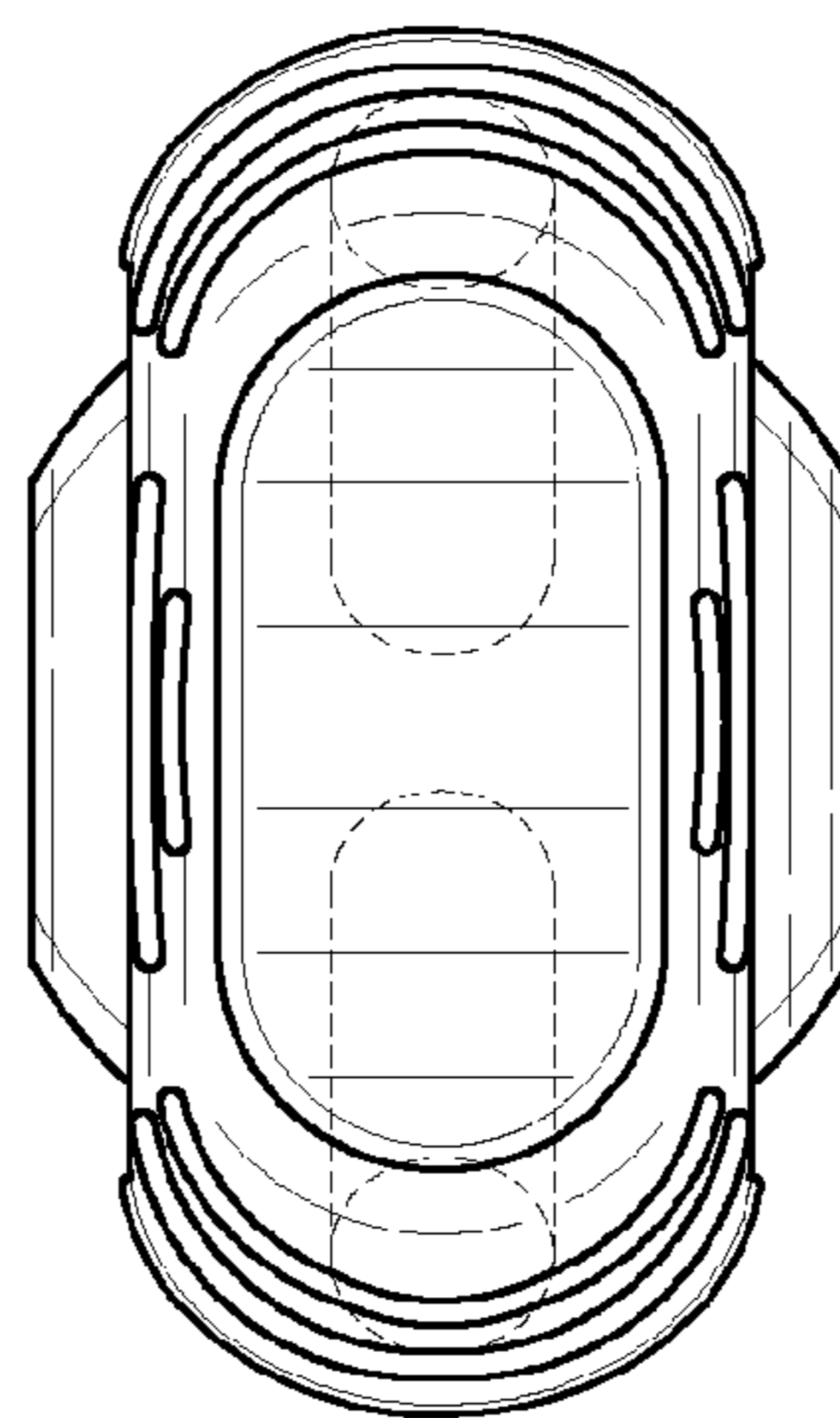


FIG. 4