



US00D586757S

(12) **United States Design Patent**
Minnick

(10) **Patent No.:** **US D586,757 S**

(45) **Date of Patent:** **** Feb. 17, 2009**

(54) **CONNECTOR PROTECTOR**

(76) Inventor: **Stephen D. Minnick**, 329 S. Norma St.,
Ridgecrest, CA (US) 93555

(**) Term: **14 Years**

(21) Appl. No.: **29/265,233**

(22) Filed: **Aug. 28, 2006**

(51) **LOC (9) Cl.** **13-03**

(52) **U.S. Cl.** **D13/156**

(58) **Field of Classification Search** D13/152,
D13/154, 156, 177; 174/50; 439/367-369,
439/371

See application file for complete search history.

(56) **References Cited**

U.S. PATENT DOCUMENTS

3,030,601	A *	4/1962	Krebs	439/369
3,048,810	A	8/1962	Steen		
D231,534	S *	4/1974	Carder	D13/156
5,980,278	A	11/1999	Winkler		
D473,524	S *	4/2003	Koehler	D13/156
D496,000	S *	9/2004	Cornell	D13/156
D508,232	S *	8/2005	Suckle et al.	D13/156

* cited by examiner

Primary Examiner—Brian N Vinson

(74) *Attorney, Agent, or Firm*—Raymond M. Galasso;
Galasso & Associates, LP.

(57) **CLAIM**

The ornamental design for a connector protector, as shown
and described.

DESCRIPTION

FIG. 1 is a top perspective view of the connector protector
showing my new design;

FIG. 2 is an front view of the connector protector; and

FIG. 3 is a cross sectional view taken along line 2—2 of FIG.
2 herein; the cord shown is for illustrative purposes only and
forms no part of the claimed design.

FIG. 4 is a back view; the cord shown is for illustrative
purposes and forms no part of the claimed design; and,

FIG. 5 is a cross section view from the end view; the outlet
shown is for illustrative purposes only and forms no part of
the claimed design.

1 Claim, 2 Drawing Sheets

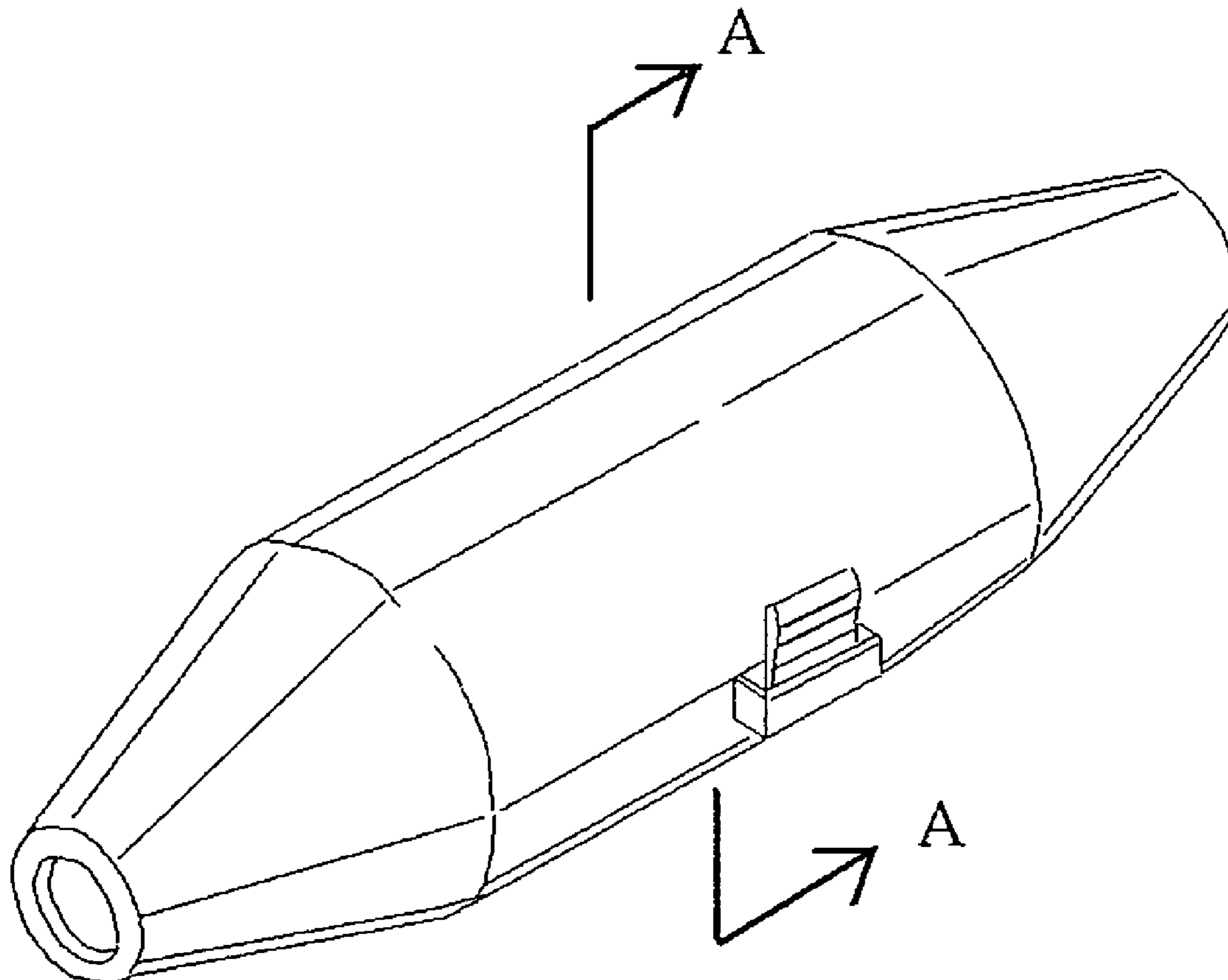
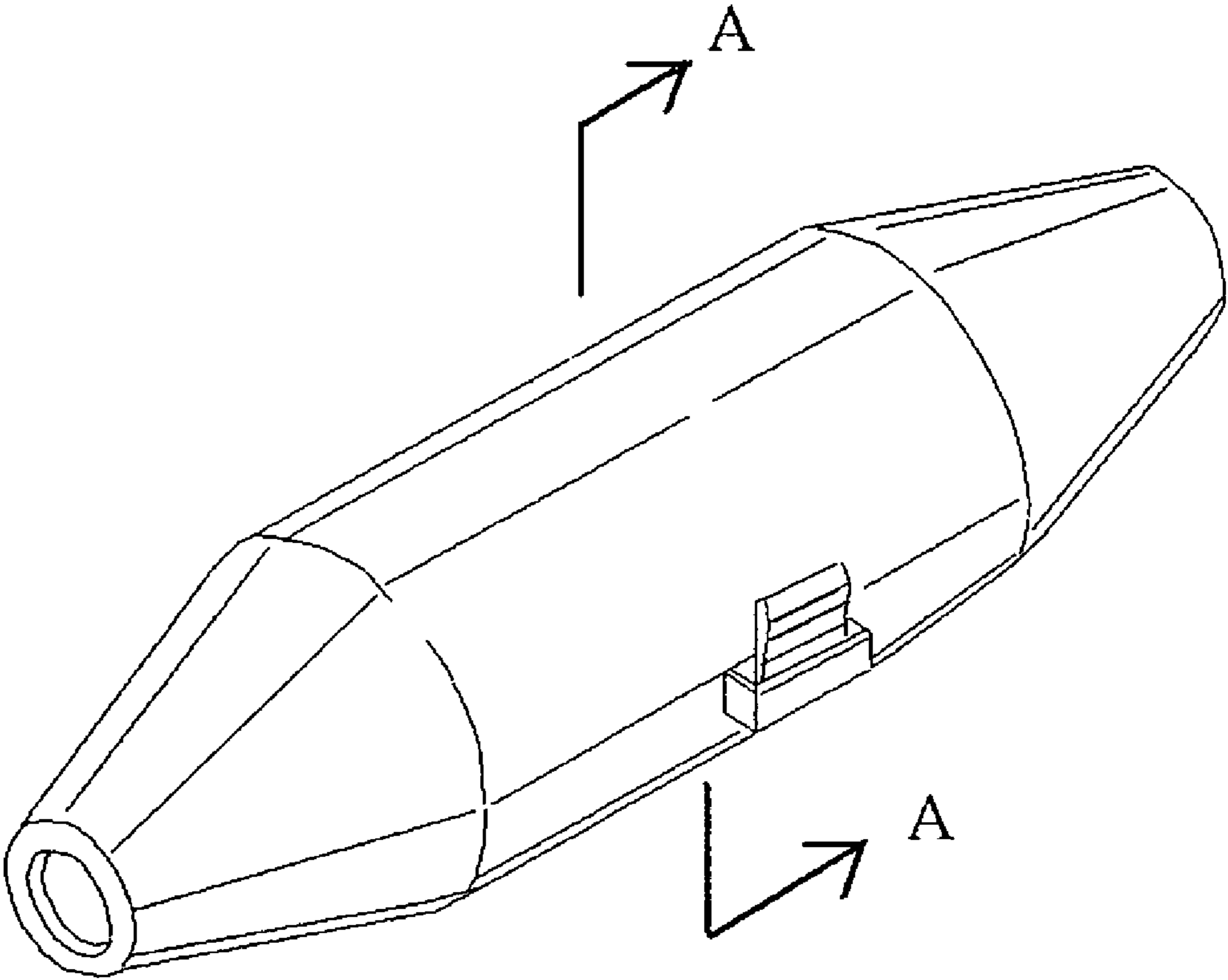


FIG. 1



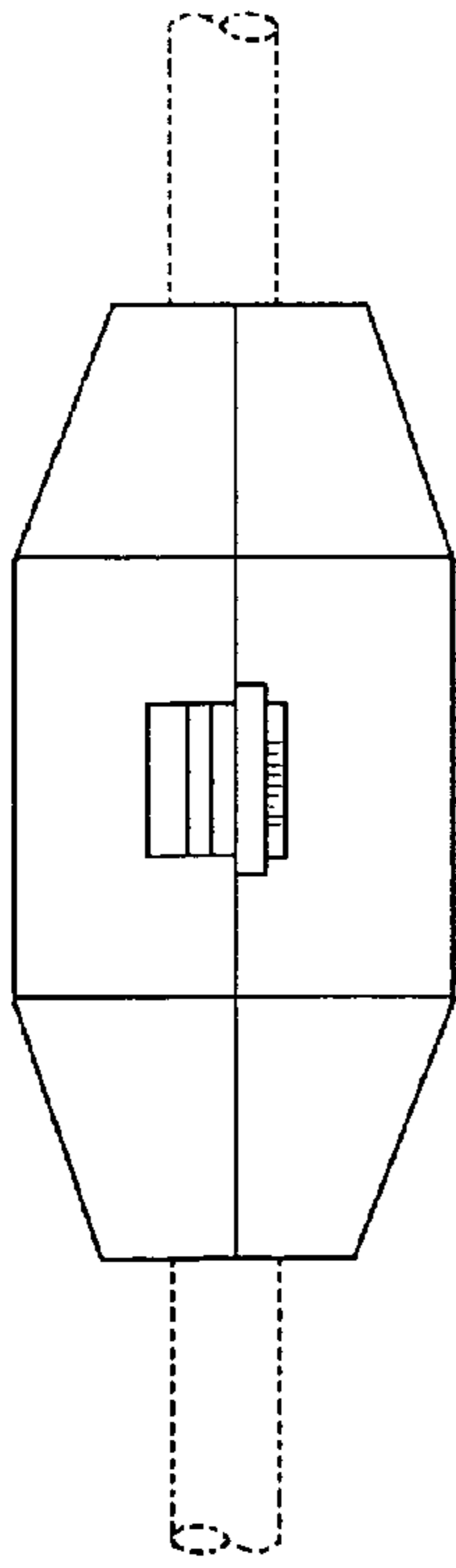


FIG. 2

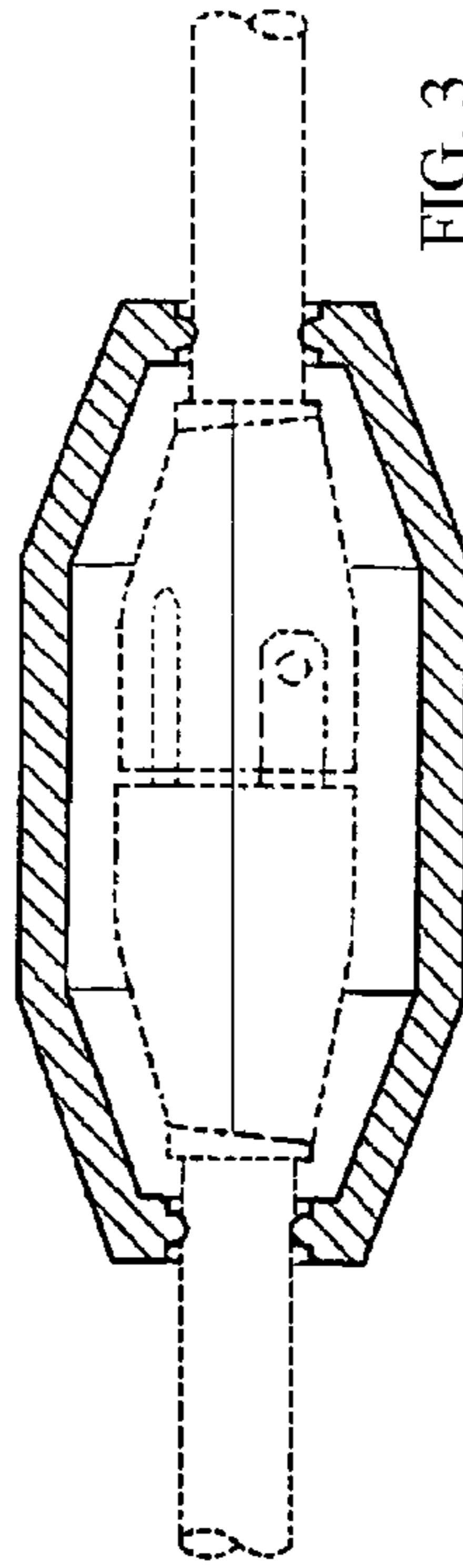


FIG. 3

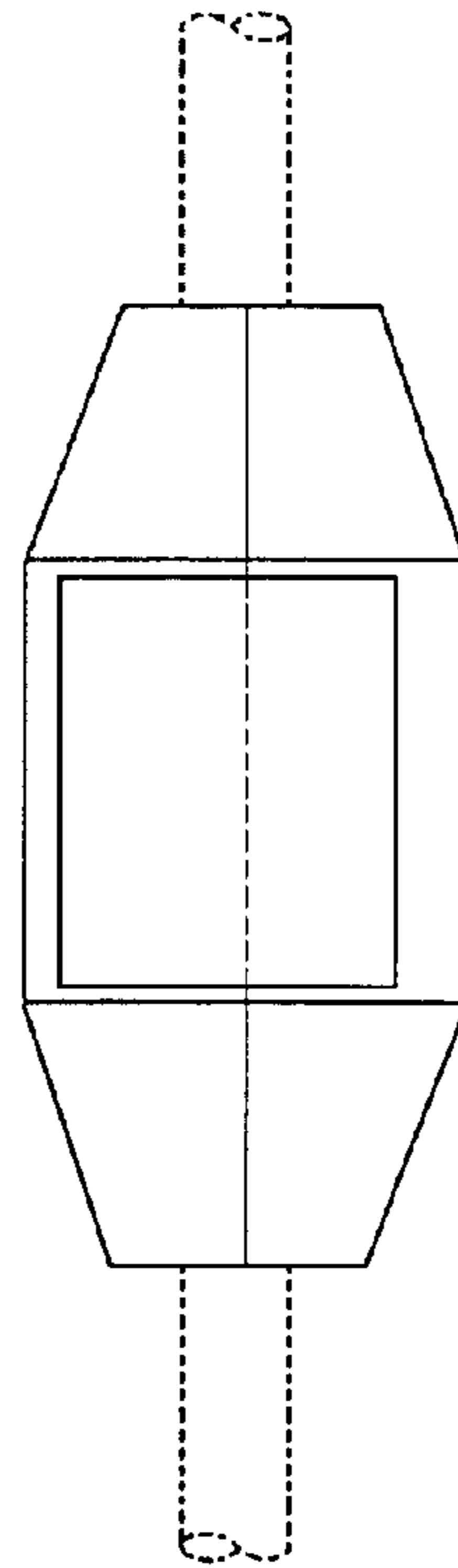


FIG. 4

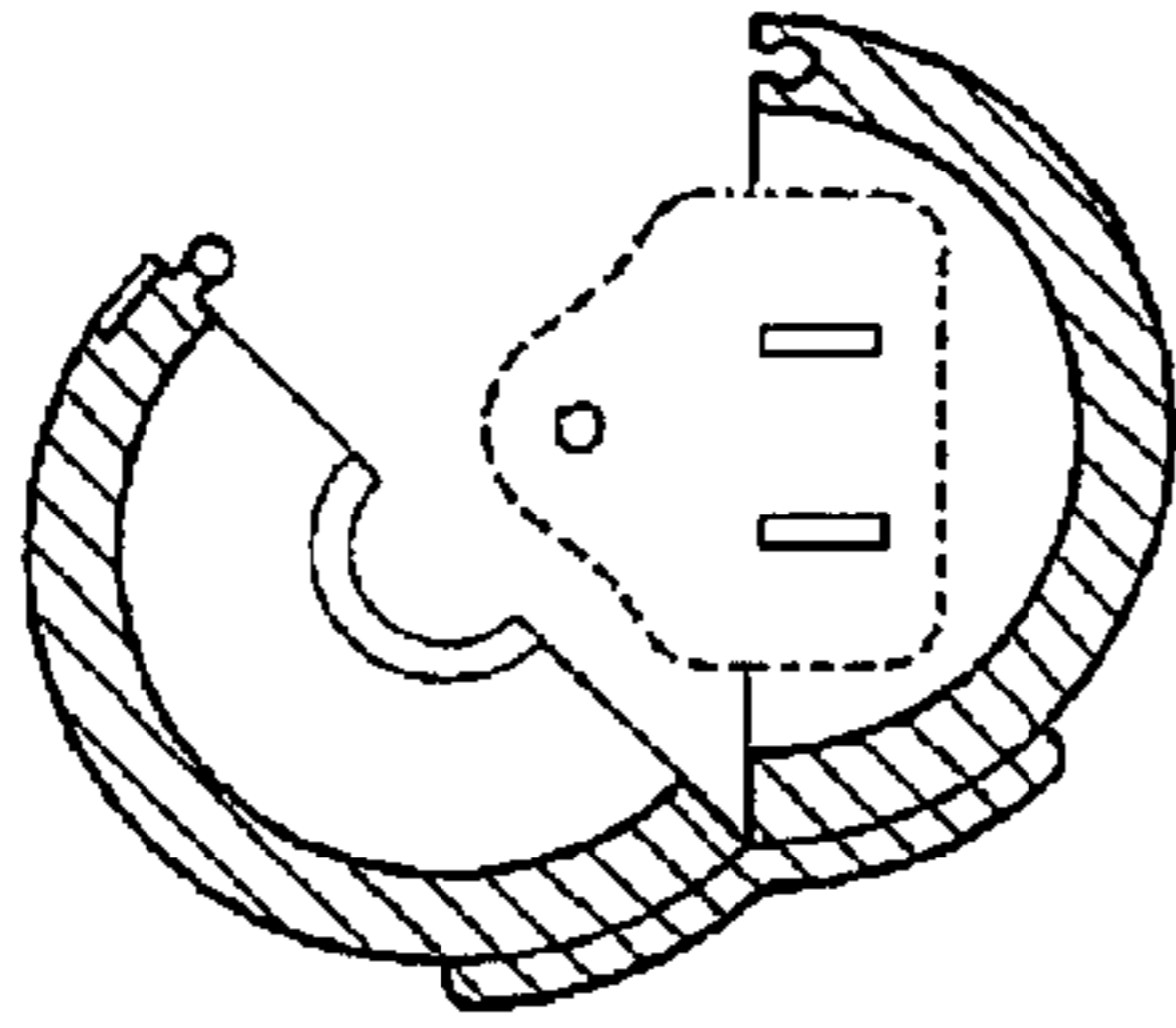


FIG. 5