



US00D586754S

(12) **United States Design Patent**
Yuan et al.

(10) **Patent No.:** **US D586,754 S**

(45) **Date of Patent:** **** Feb. 17, 2009**

(54) **ELECTRICAL CONNECTOR**

(75) Inventors: **Wei Yuan**, ShenZhen (CN); **Yu-San Hsiao**, Tu-Cheng (TW)

(73) Assignee: **Hon Hai Precision Ind. Co., Ltd.**, Taipei Hsien (TW)

(**) Term: **14 Years**

(21) Appl. No.: **29/308,963**

(22) Filed: **Jul. 16, 2008**

(30) **Foreign Application Priority Data**

Jan. 17, 2008 (CN) 2008 3 0019867

(51) **LOC (9) Cl.** **13-03**

(52) **U.S. Cl.** **D13/147**

(58) **Field of Classification Search** D13/146-147,
D13/154, 184; 439/79, 378, 607-610, 660,
439/680-682, 686

See application file for complete search history.

(56) **References Cited**

U.S. PATENT DOCUMENTS

D410,896 S * 6/1999 Yotsutani et al. D13/147

D416,863 S * 11/1999 Sato et al. D13/147

D446,773 S * 8/2001 Yao et al. D13/147

D447,466 S * 9/2001 Chen et al. D13/147

D499,382 S * 12/2004 Zhu et al. D13/147

* cited by examiner

Primary Examiner—Daniel D Bui

(74) *Attorney, Agent, or Firm*—Wei Te Chung

(57) **CLAIM**

The ornamental design for an electrical connector, as shown and described.

DESCRIPTION

FIG. 1 is a front, top and right side perspective view of an electrical connector showing our new design;

FIG. 2 is a front elevational view thereof;

FIG. 3 is a rear elevational view thereof;

FIG. 4 is a left side elevational view thereof;

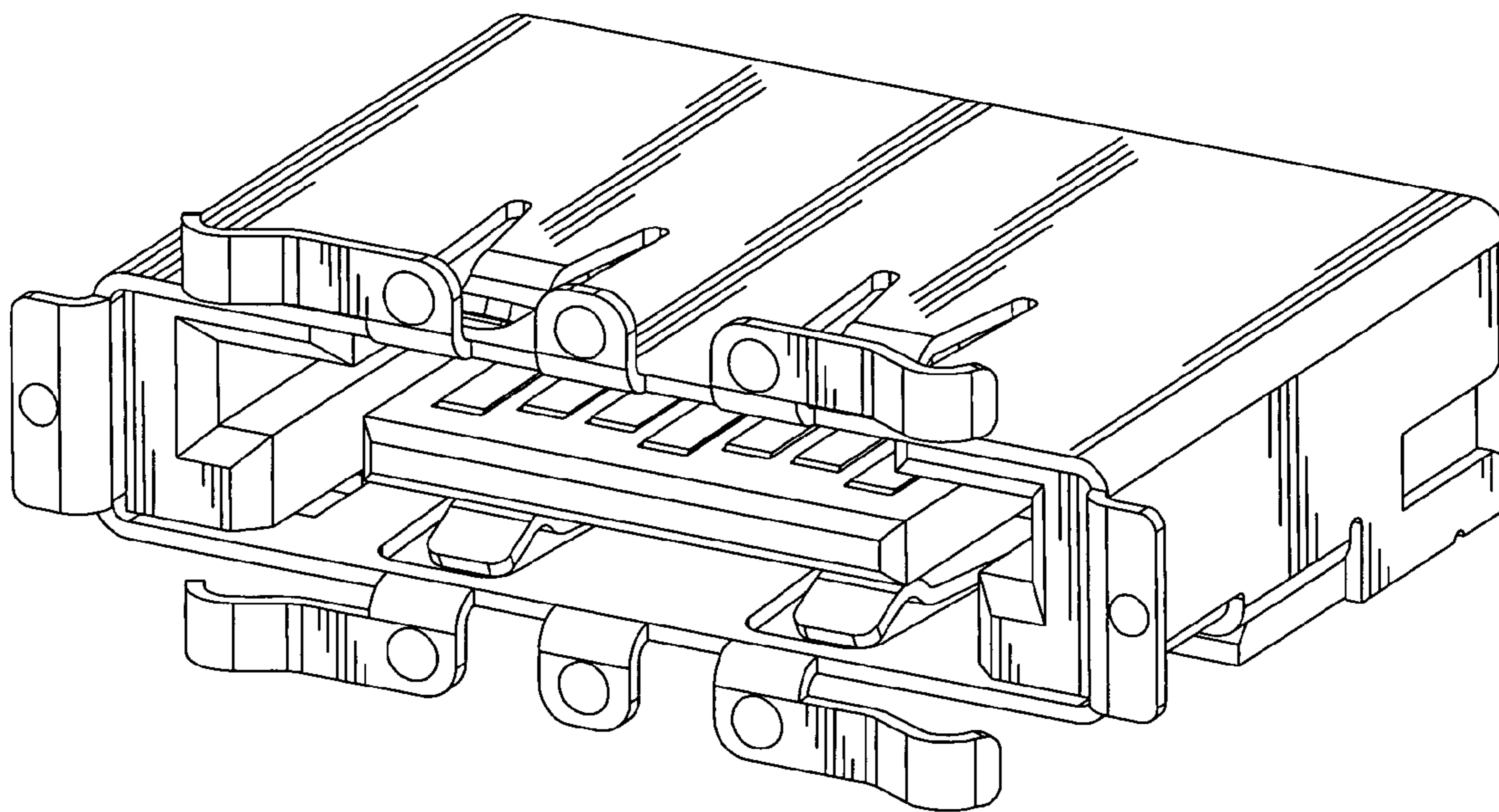
FIG. 5 is a right side elevational view thereof;

FIG. 6 is a top plan view thereof; and,

FIG. 7 is a bottom plan view thereof.

The broken line portion of the figure drawings is included to show unclaimed subject matter only and forms no part of the claimed design.

1 Claim, 7 Drawing Sheets



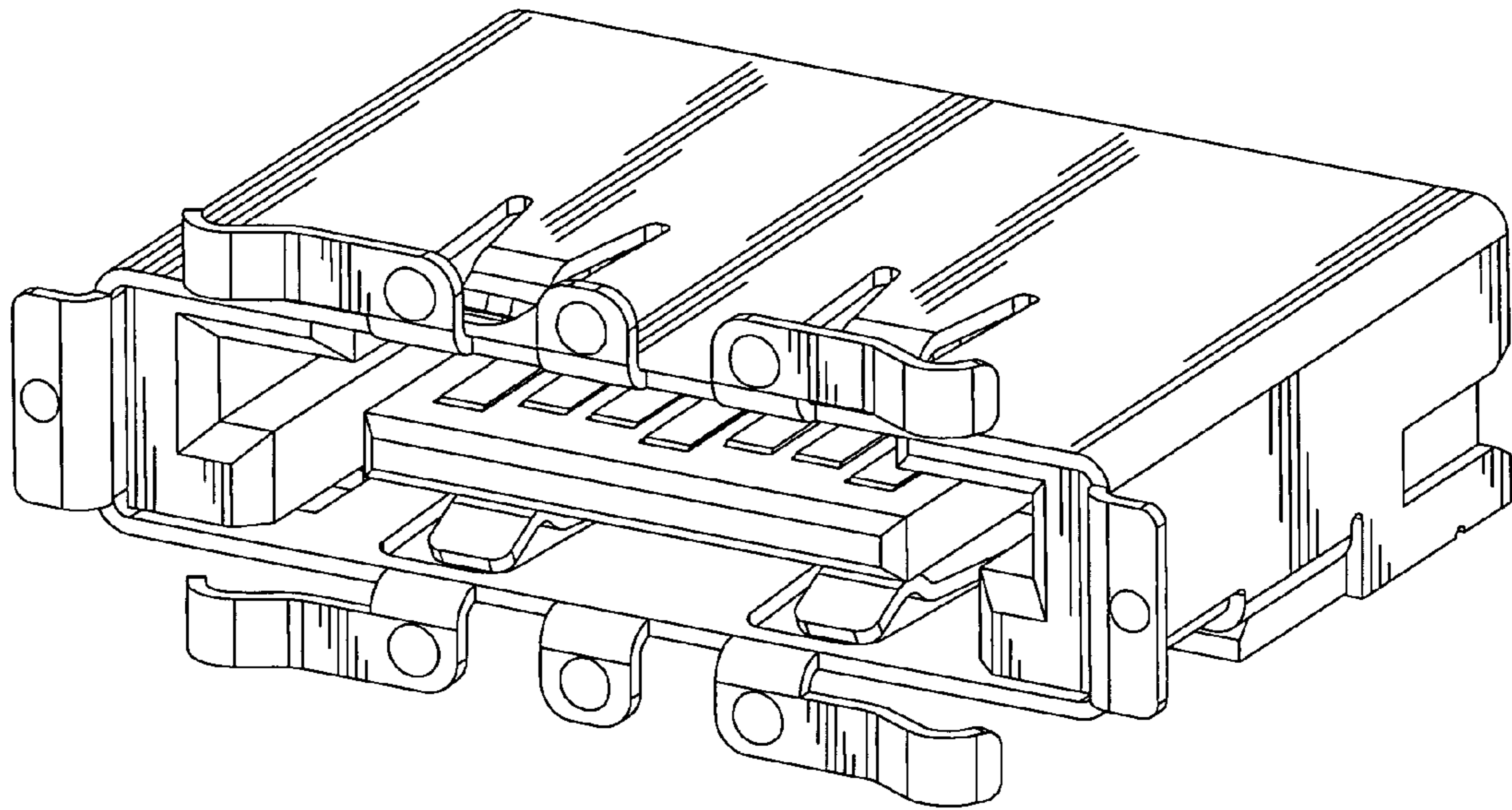


FIG. 1

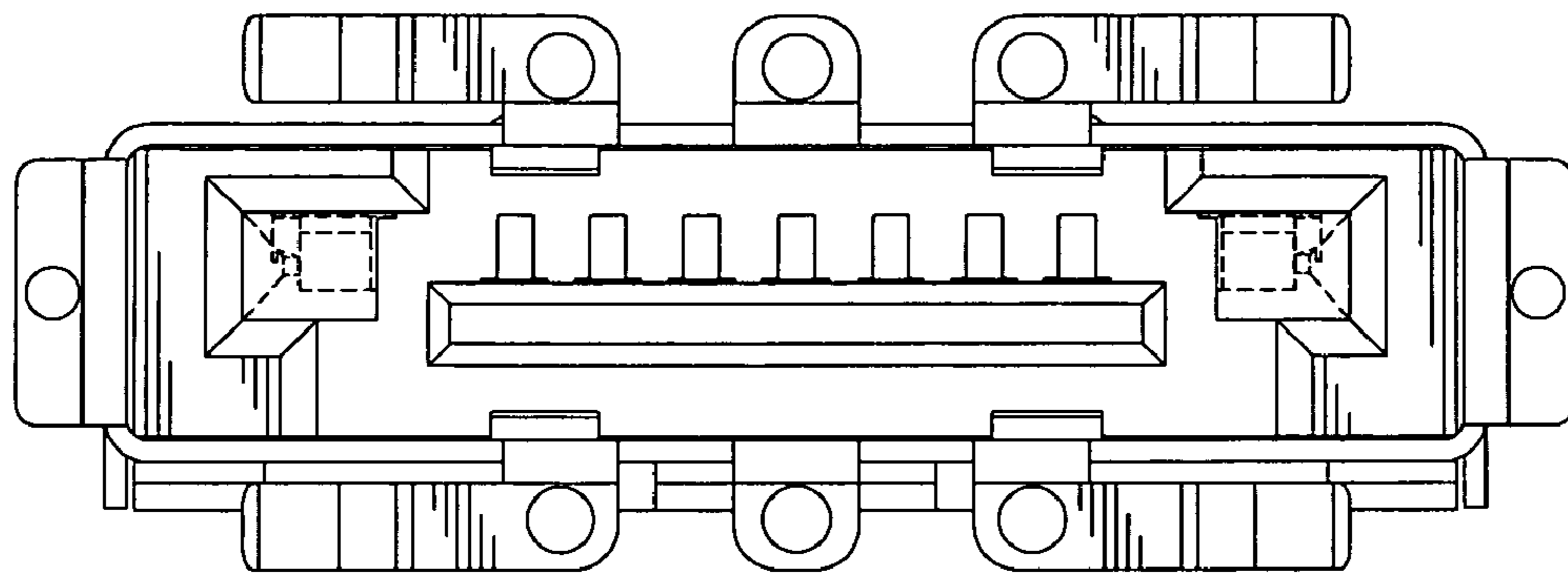


FIG. 2

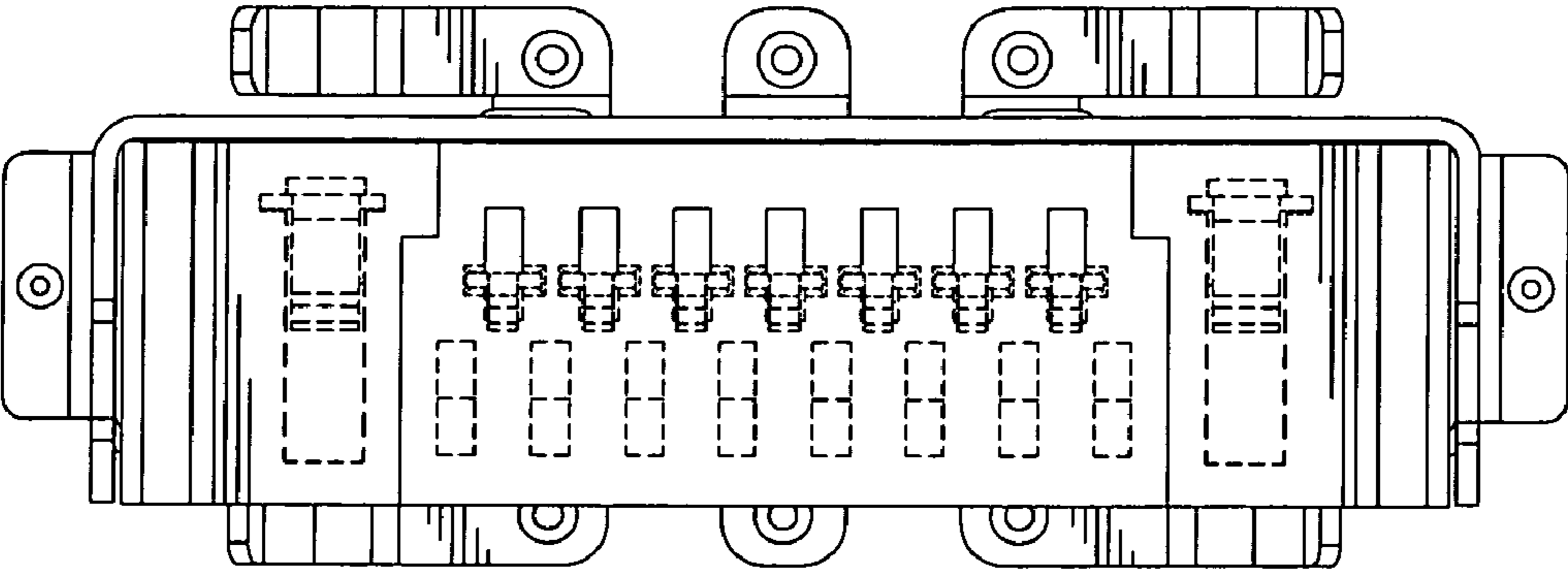


FIG. 3

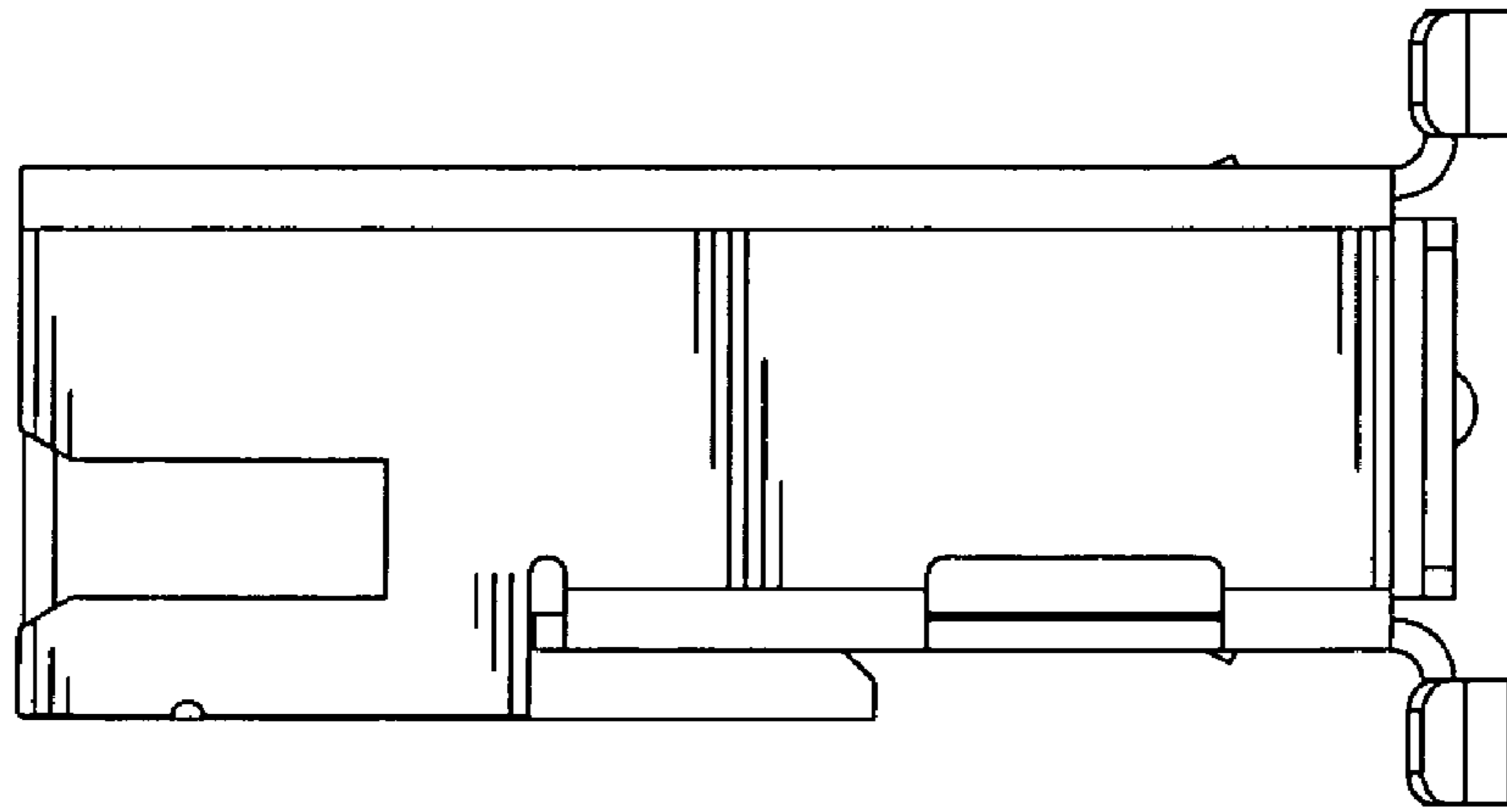


FIG. 4

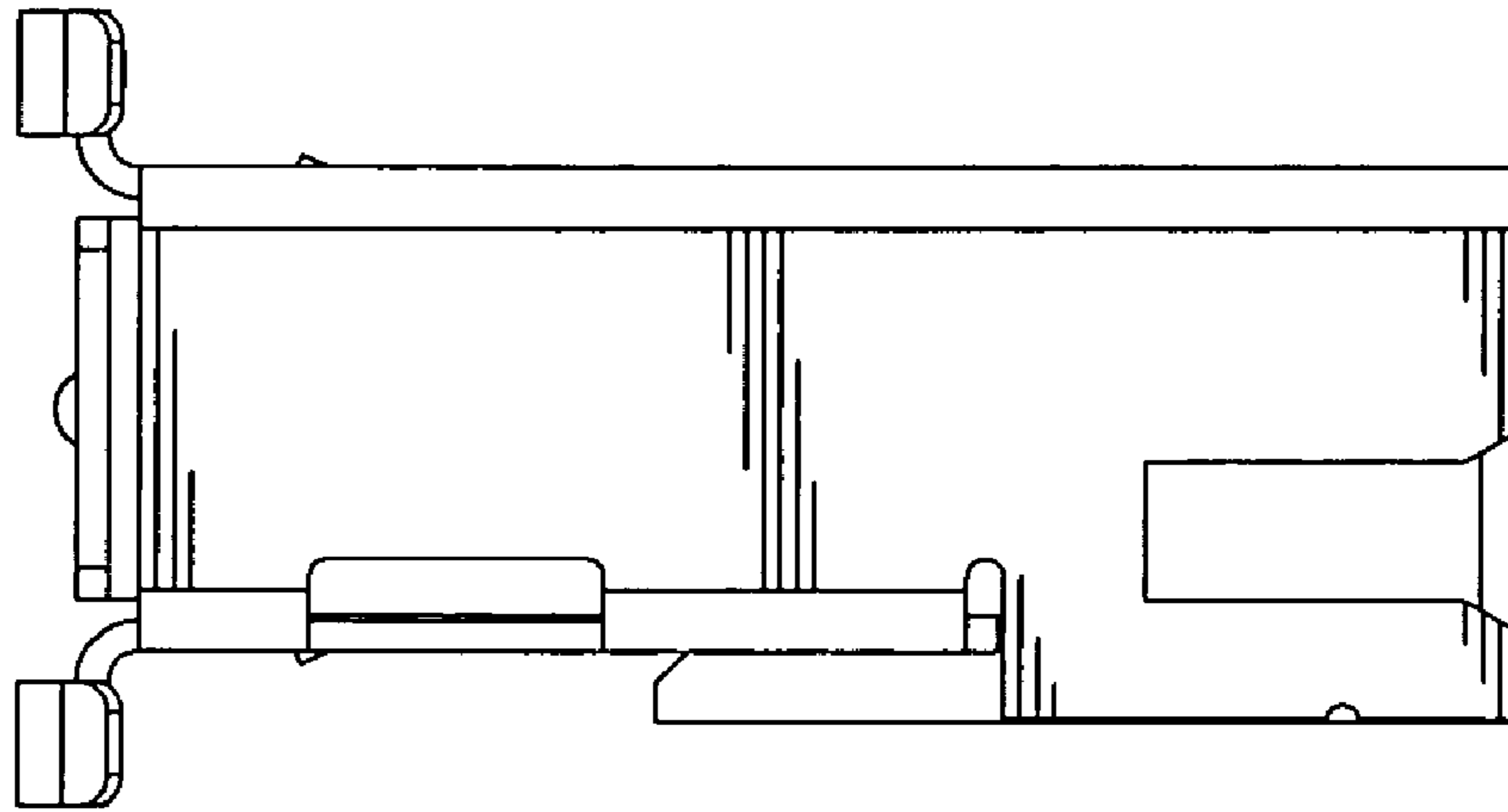


FIG. 5

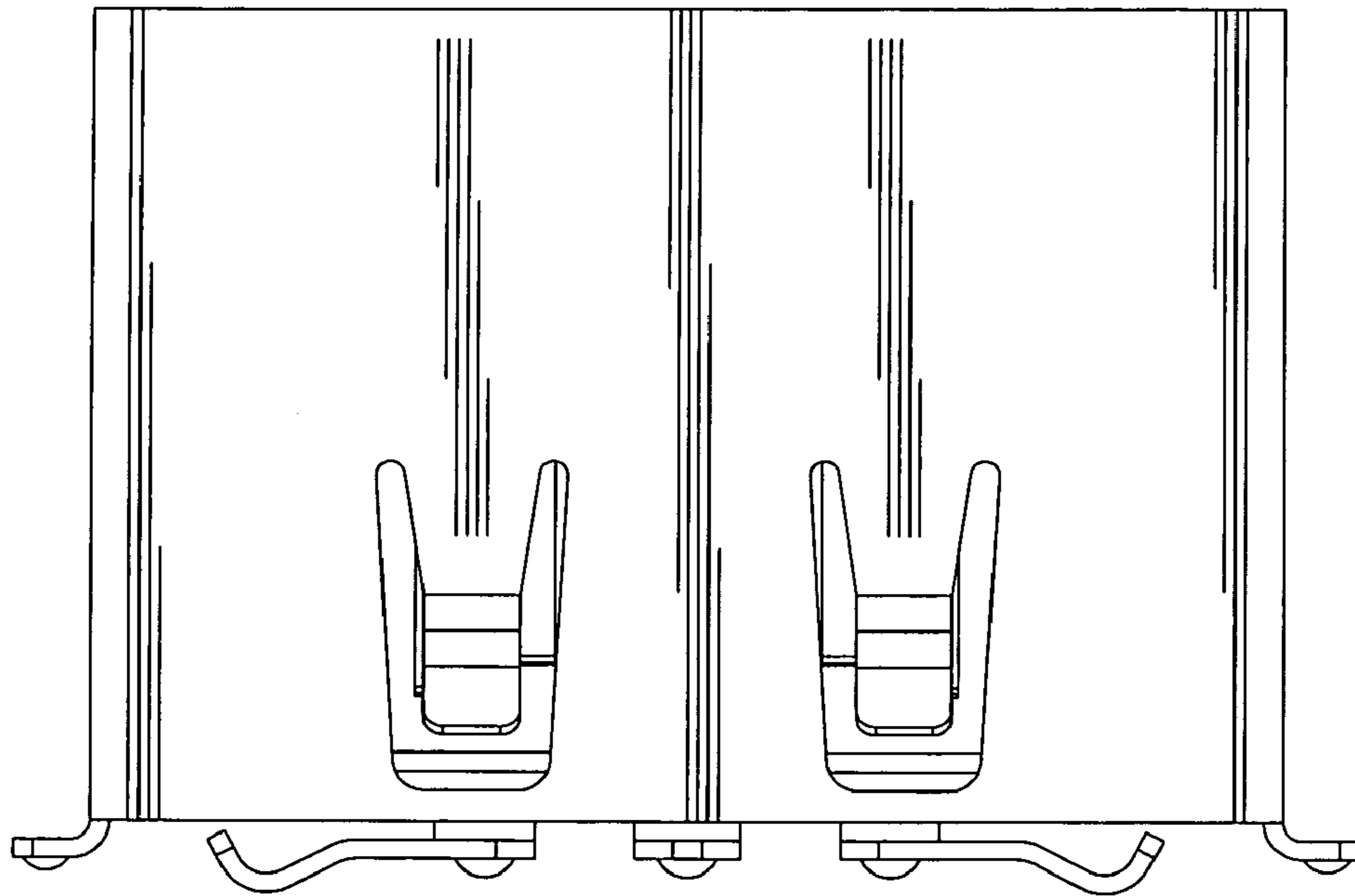


FIG. 6

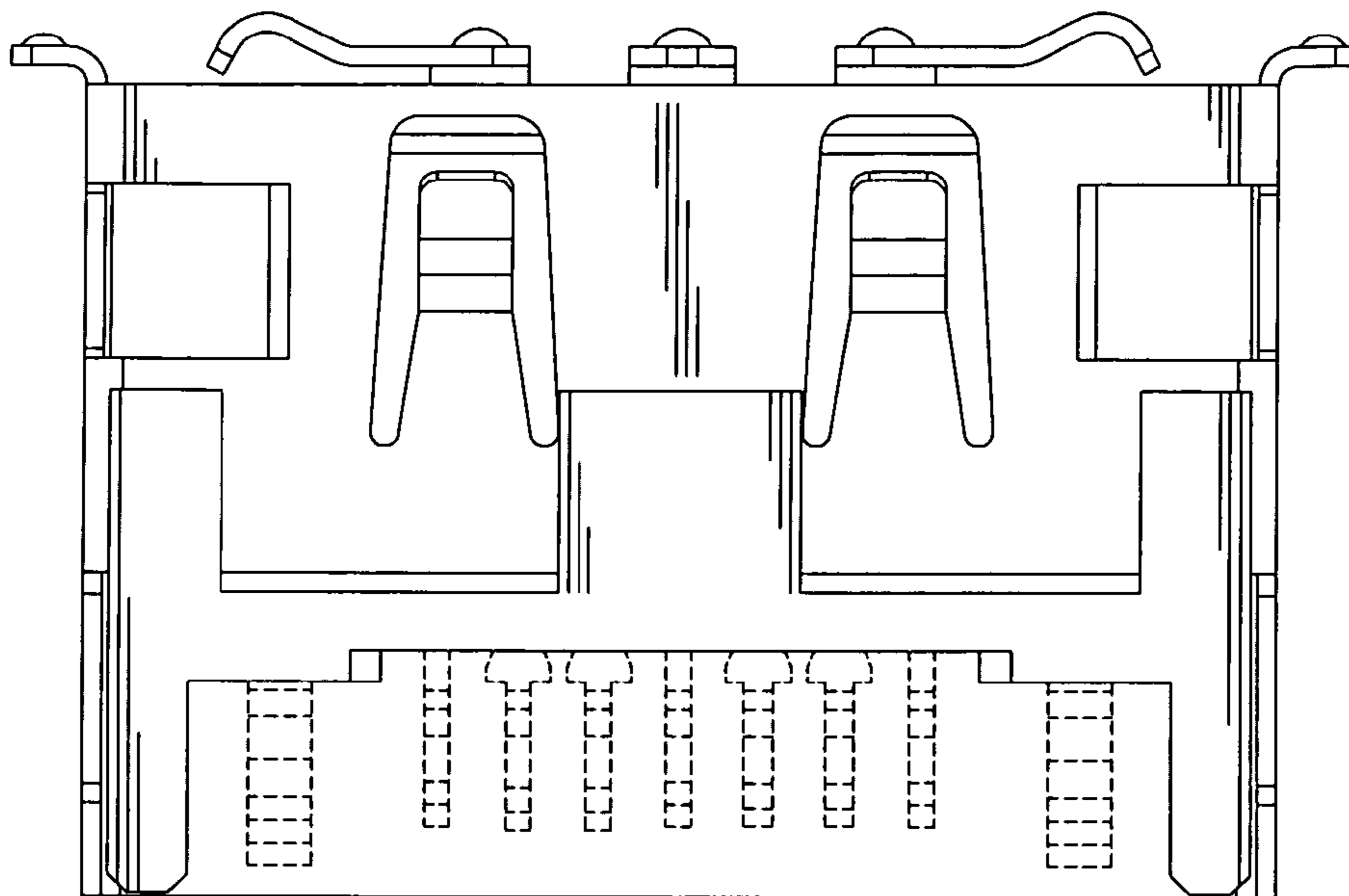


FIG. 7