



US00D586753S

(12) **United States Design Patent**
Diamond et al.

(10) **Patent No.:** **US D586,753 S**

(45) **Date of Patent:** **** Feb. 17, 2009**

(54) **CONNECTOR CABLE FOR MULTIPLE PORTS**

(75) Inventors: **Ilana Diamond**, Pittsburgh, PA (US);
Storm Orion, Pittsburgh, PA (US)

(73) Assignee: **Sima Products Corporation**, Oakmont, PA (US)

(**) Term: **14 Years**

(21) Appl. No.: **29/286,224**

(22) Filed: **Apr. 27, 2007**

(51) **LOC (9) Cl.** **13-03**

(52) **U.S. Cl.** **D13/147; D13/153**

(58) **Field of Classification Search** D13/133,
D13/146, 147, 153, 154, 184, 199; 439/350,
439/447, 607-610, 660, 677, 680-682; D14/433
See application file for complete search history.

(56) **References Cited**

U.S. PATENT DOCUMENTS

- D405,049 S * 2/1999 Huang et al. D13/133
- D473,848 S * 4/2003 Zheng et al. D13/147
- D513,605 S * 1/2006 Lin D13/133

D553,089 S * 10/2007 Victor D13/147
* cited by examiner

Primary Examiner—Daniel D Bui

Assistant Examiner—Thomas J Johannes

(74) *Attorney, Agent, or Firm*—Buchanan Ingersoll & Rooney PC

(57) **CLAIM**

The ornamental design for a connector cable for multiple ports, as shown and described.

DESCRIPTION

FIG. 1 is a perspective view of our connector cable for multiple ports;

FIG. 2 is a top plan view thereof;

FIG. 3 is a bottom view thereof;

FIG. 4 is a right side view thereof;

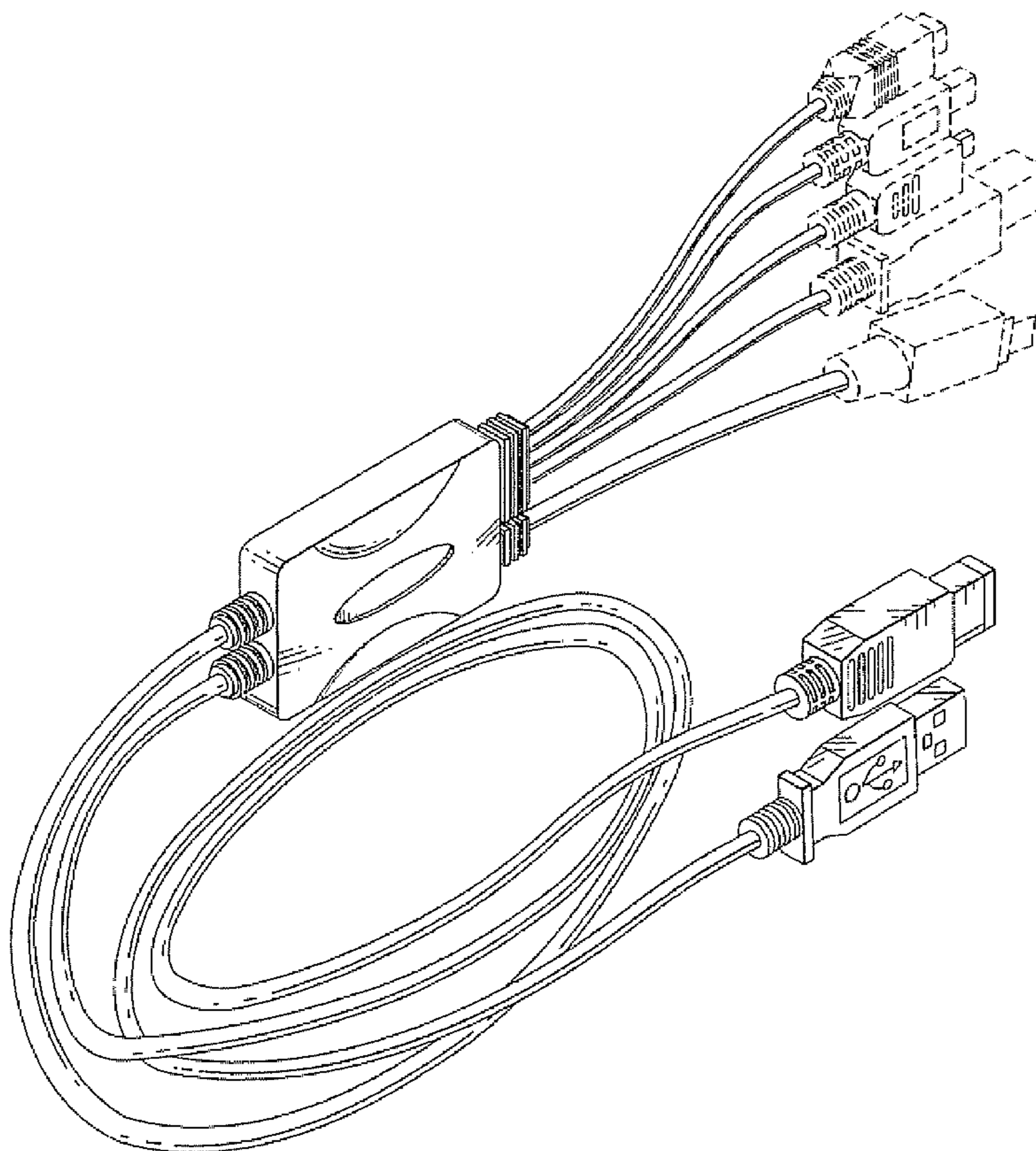
FIG. 5 is a left side view thereof;

FIG. 6 is a front view thereof; and,

FIG. 7 is a back view thereof.

The broken line showing of five different plugs in the figures is for illustrative purposes only and forms no part of the claimed design.

1 Claim, 5 Drawing Sheets



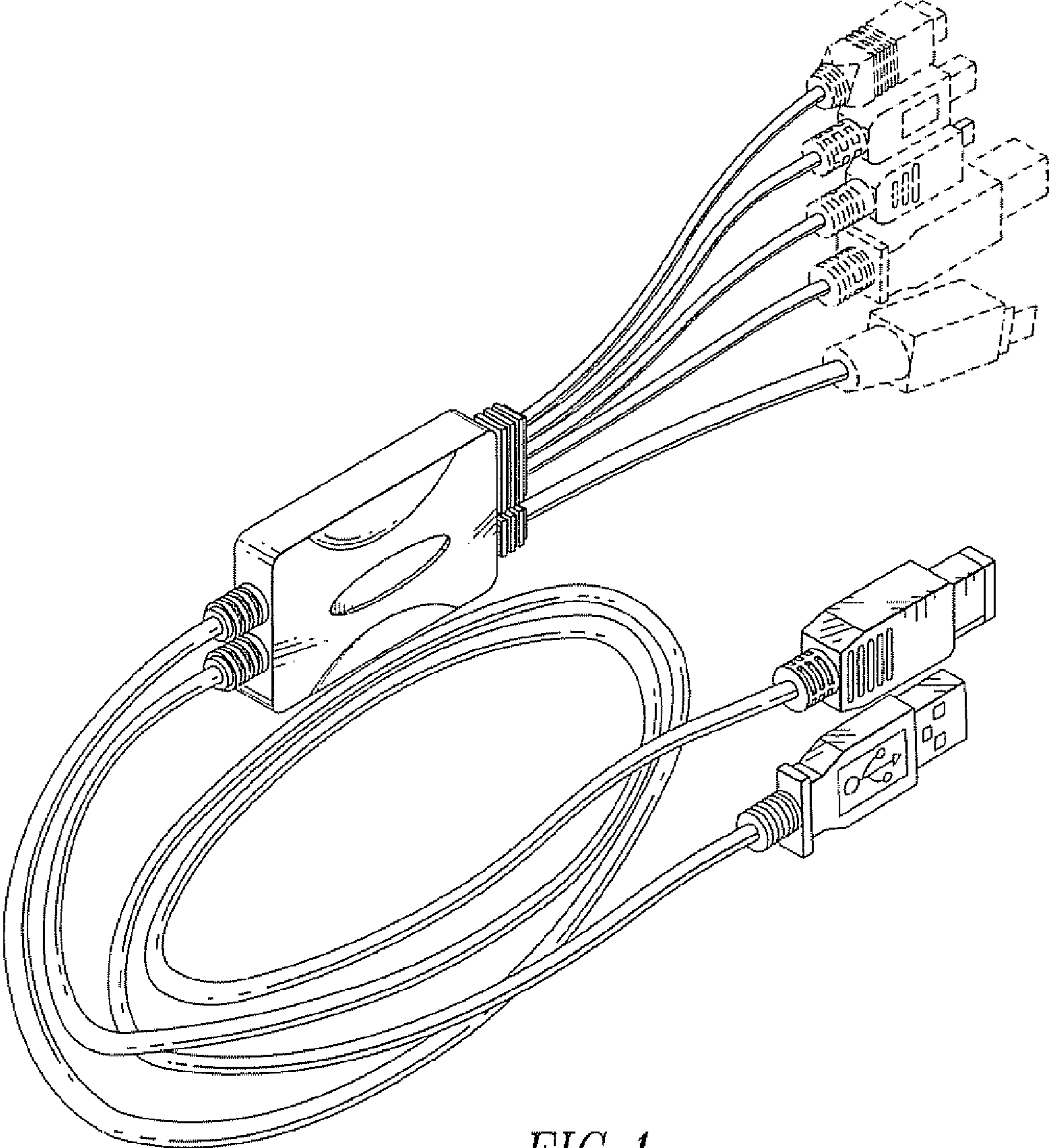


FIG. 1

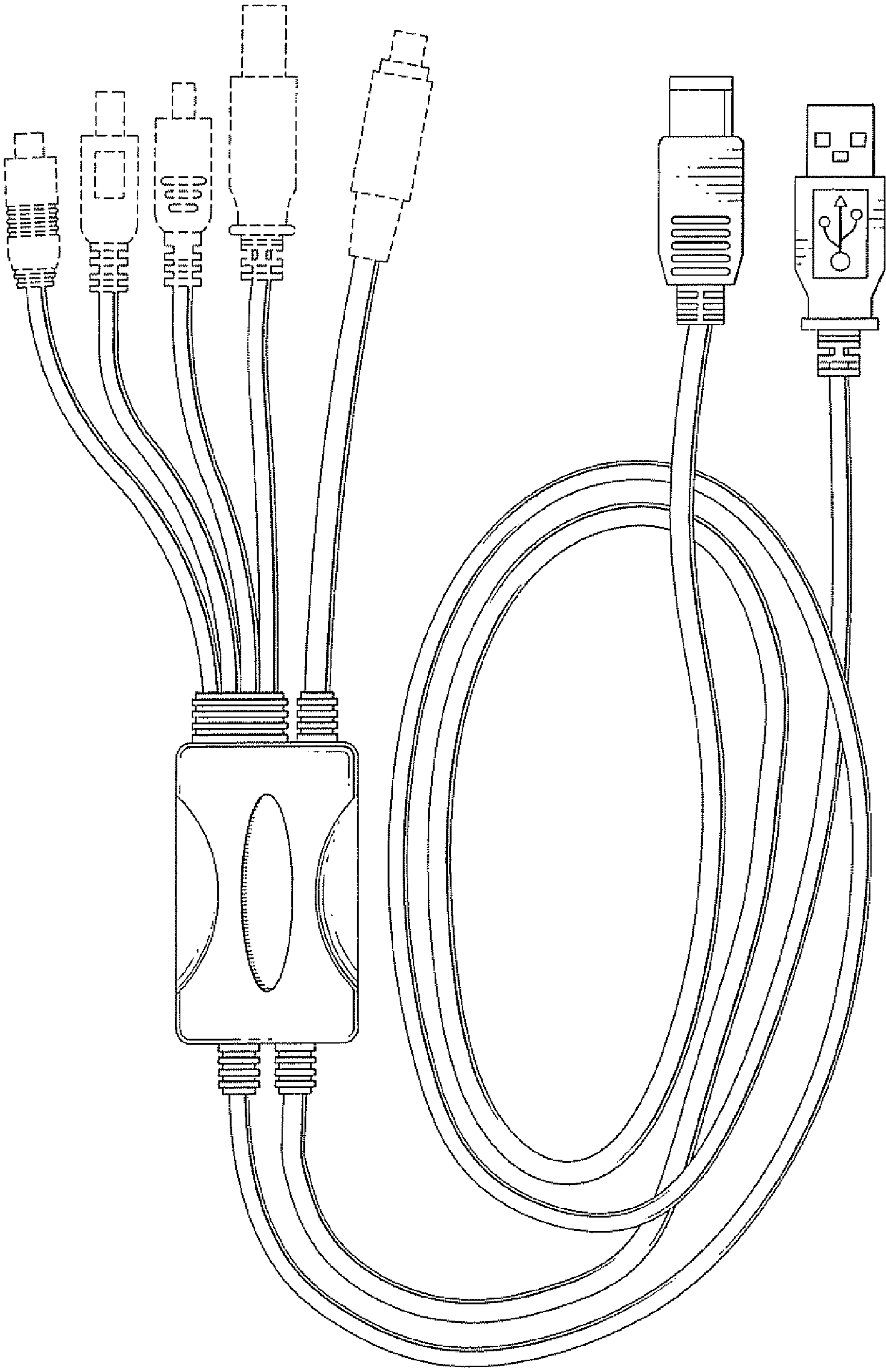


FIG.2

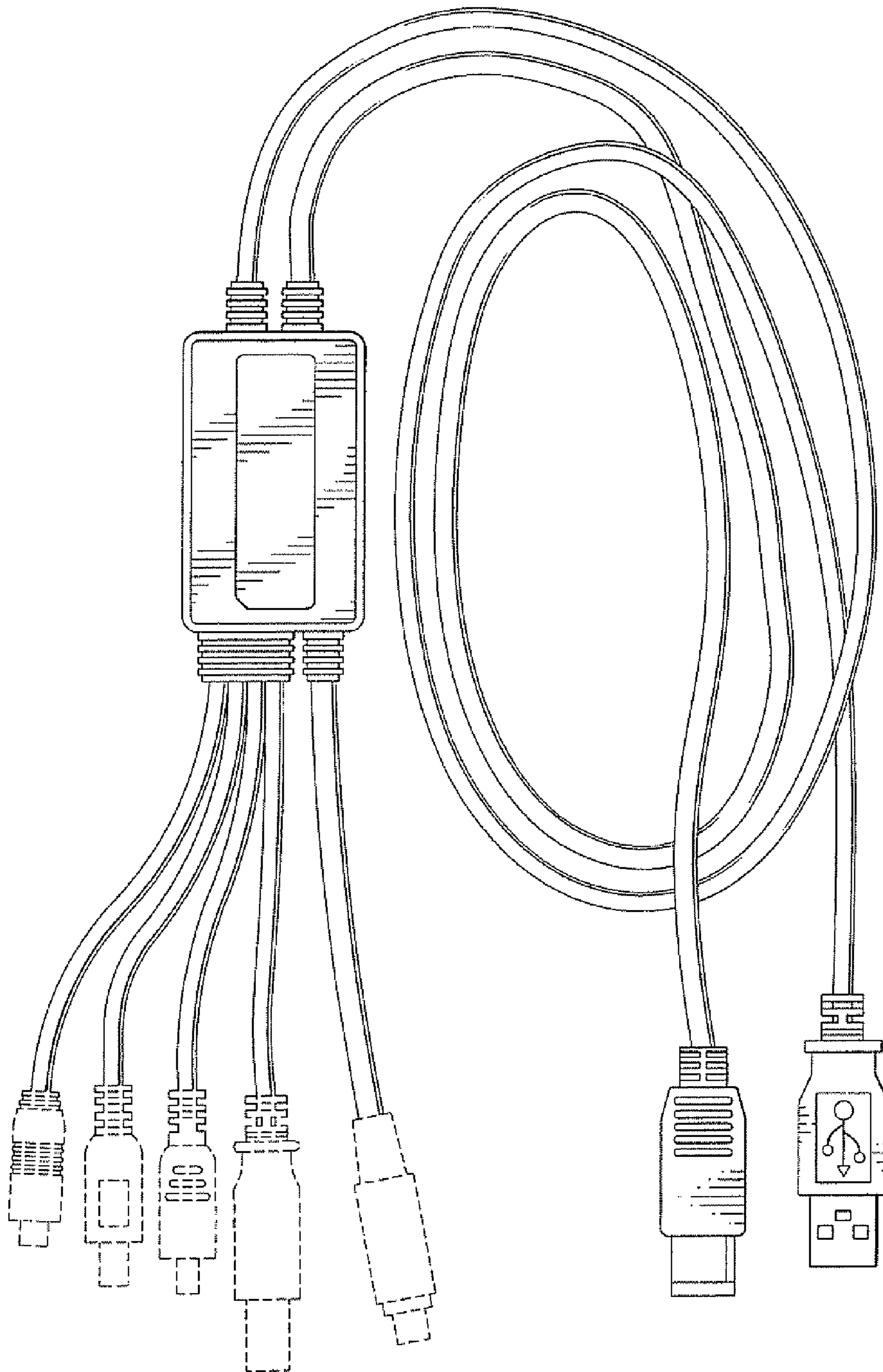


FIG. 3

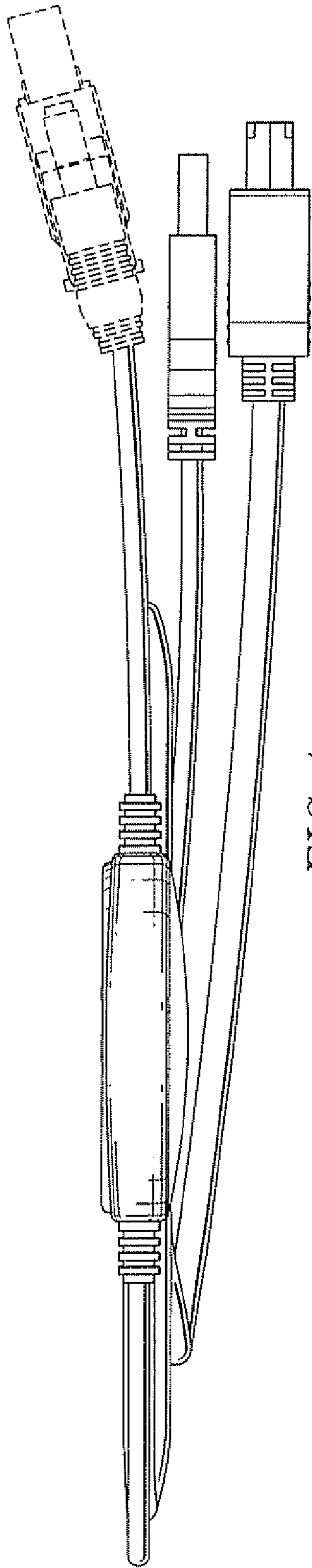


FIG. 4

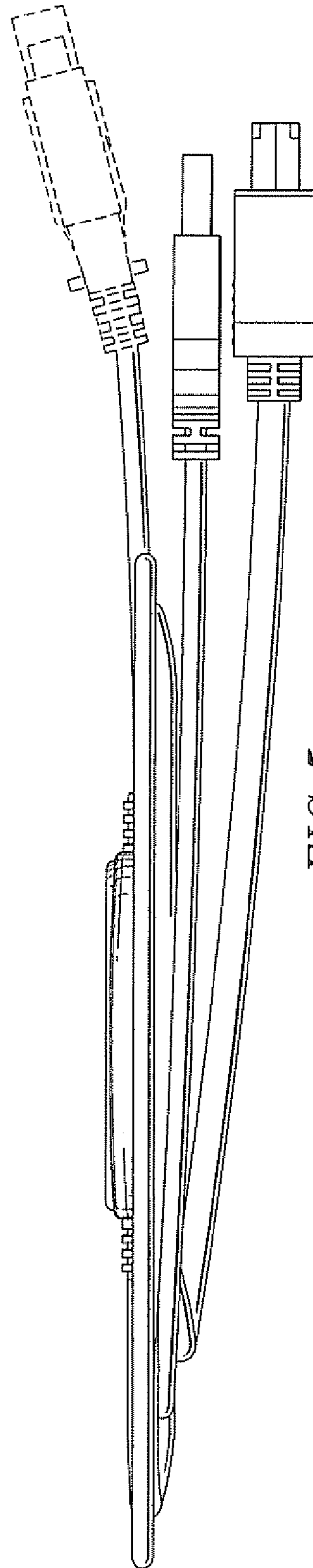


FIG. 5

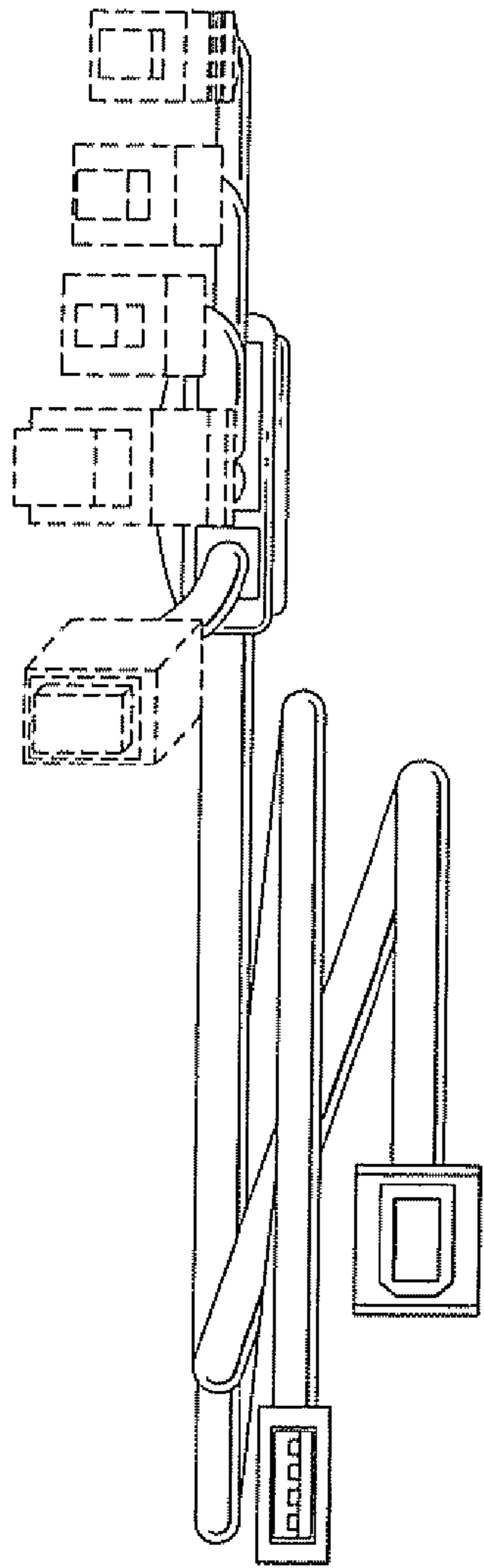


FIG. 6

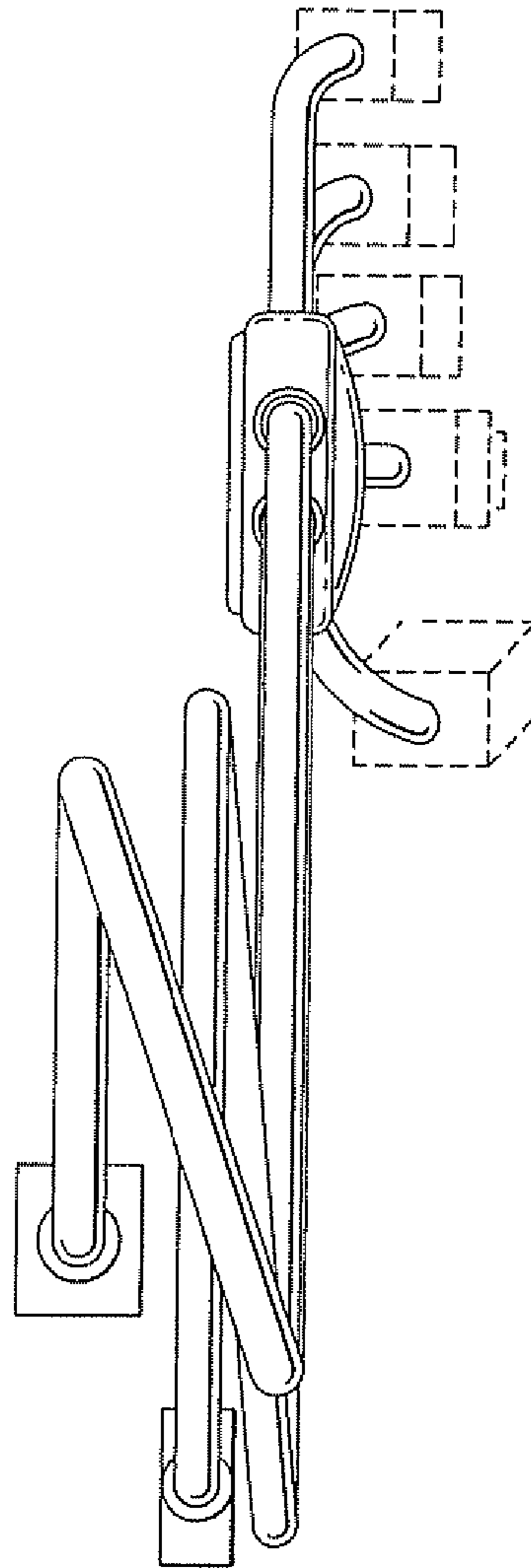


FIG. 7