



US00D586750S

(12) **United States Design Patent**
Li

(10) **Patent No.:** **US D586,750 S**

(45) **Date of Patent:** **** Feb. 17, 2009**

(54) **CONNECTOR**

(76) **Inventor:** **Jacky Li**, 701, 7/F, Sunbeam Center, 27 Shing Yip Street, Kwun Tong, Kowloon (HK)

(**) **Term:** **14 Years**

(21) **Appl. No.:** **29/290,389**

(22) **Filed:** **Nov. 29, 2007**

(51) **LOC (9) Cl.** **13-03**

(52) **U.S. Cl.** **D13/133**

(58) **Field of Classification Search** D13/133, D13/146, 147, 153, 154, 184; 439/489, 502, 439/505, 578, 607-610, 623, 680, 686
See application file for complete search history.

(56) **References Cited**

U.S. PATENT DOCUMENTS

- D416,233 S * 11/1999 Tsai D13/153
- D416,543 S * 11/1999 Tsai D13/153
- D516,032 S * 2/2006 Suckle et al. D13/147
- D520,459 S * 5/2006 Kent et al. D13/156
- D531,581 S * 11/2006 Wang et al. D13/147

D564,966 S * 3/2008 Shifris D13/147

* cited by examiner

Primary Examiner—Daniel D Bui

Assistant Examiner—Thomas J Johannes

(74) *Attorney, Agent, or Firm*—Holland & Knight LLP; John P. Moran

(57) **CLAIM**

The ornamental design for a connector, as shown and described.

DESCRIPTION

FIG. 1 is a front view of the new design for a connector showing my new design;

FIG. 2 is a back view thereof

FIG. 3 is a left view thereof;

FIG. 4 is a right view thereof;

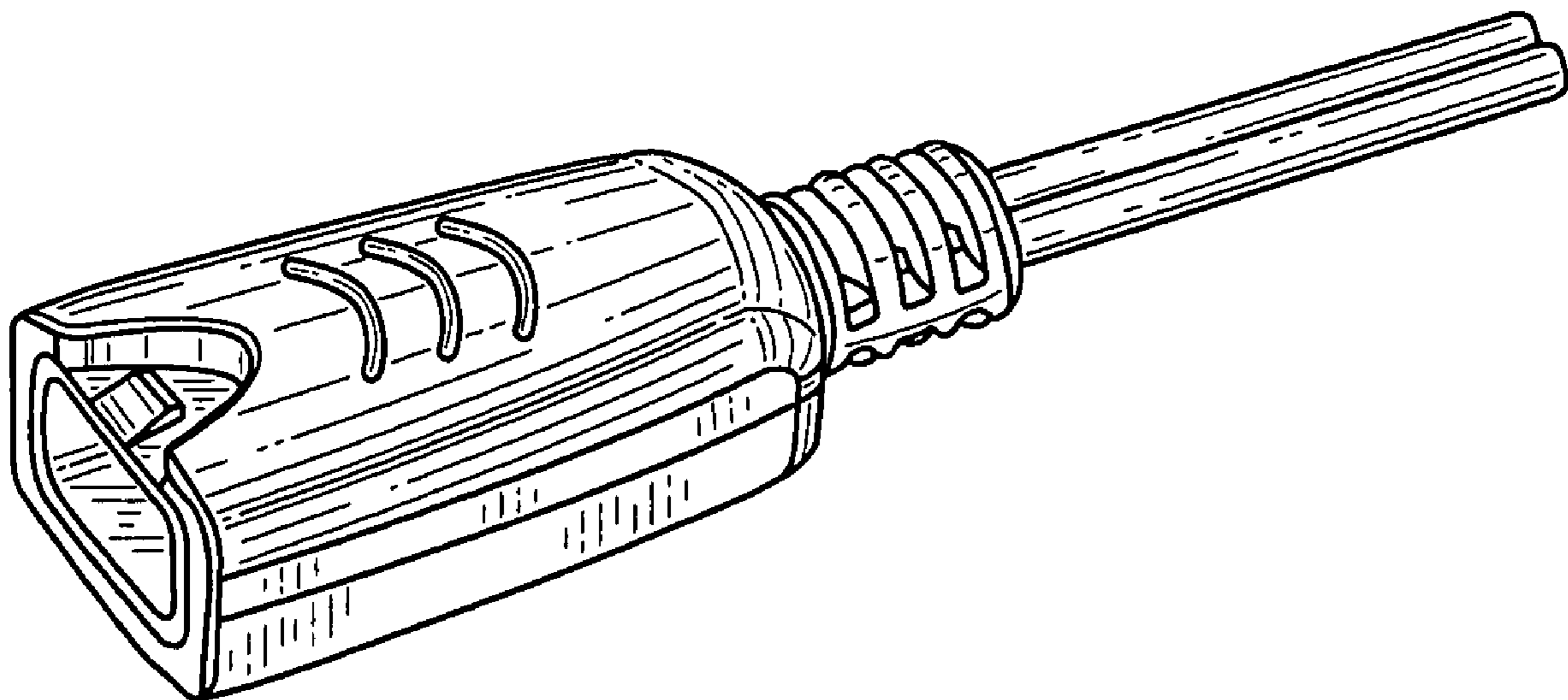
FIG. 5 is a bottom view thereof

FIG. 6 is a top view thereof; and,

FIG. 7 is a perspective view thereof.

The broken line showing of unclaimed internal detail forms no part of the claimed design.

1 Claim, 2 Drawing Sheets



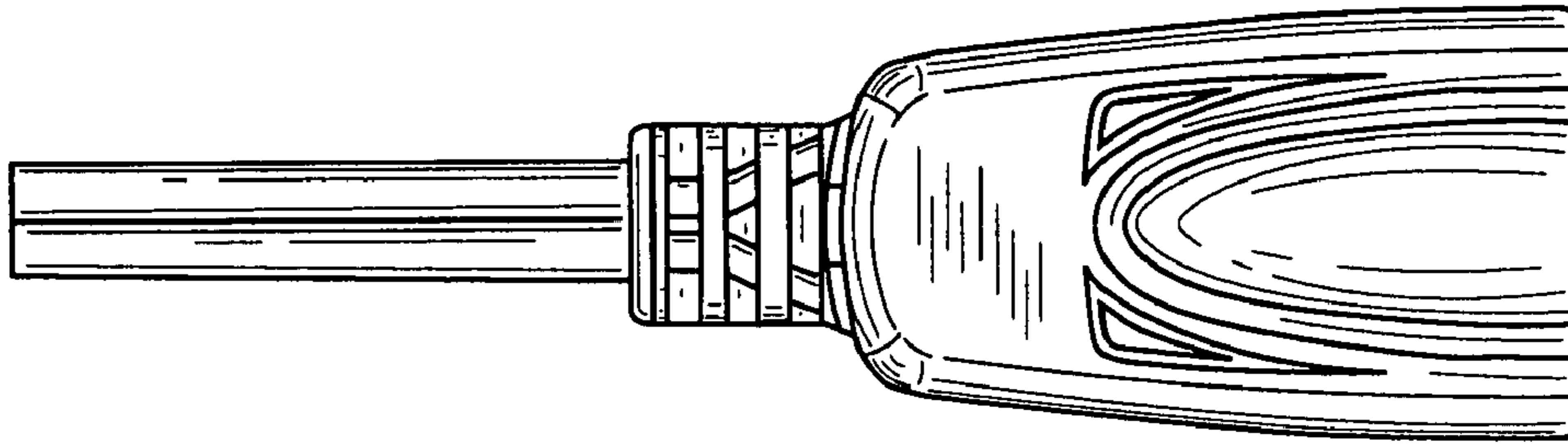


FIG. 1

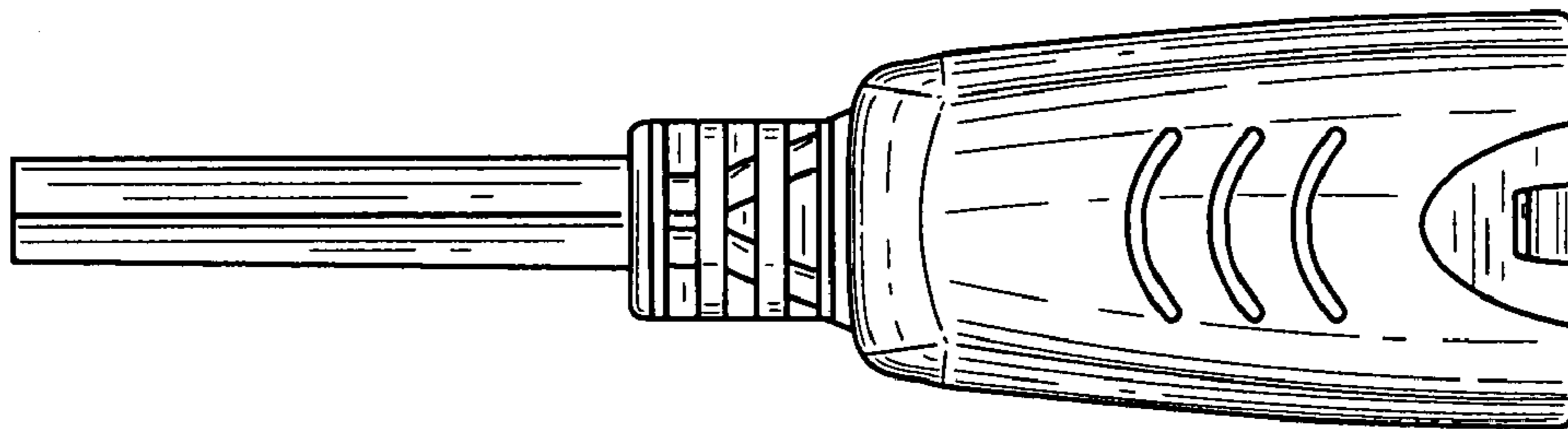


FIG. 2

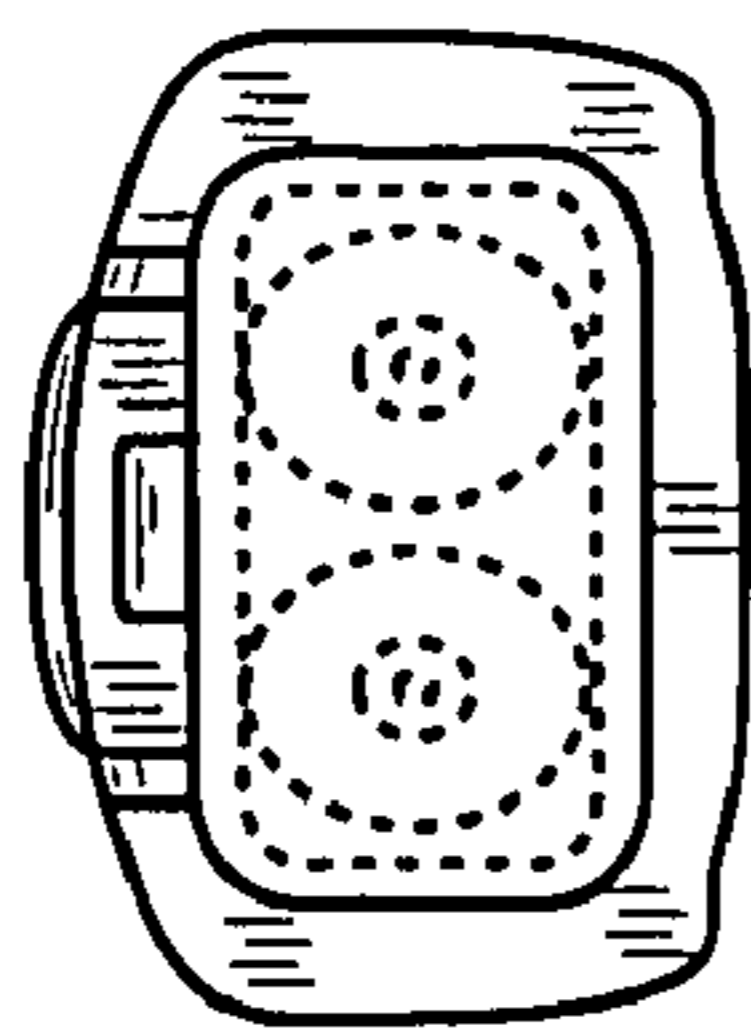


FIG. 3

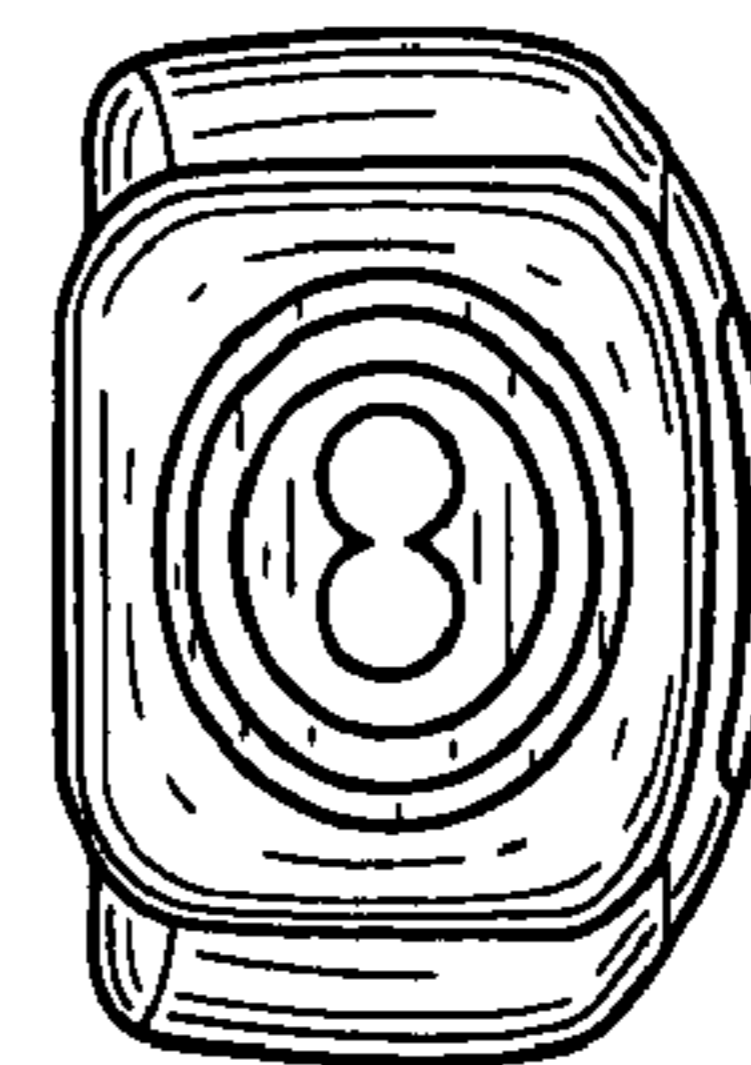


FIG. 4

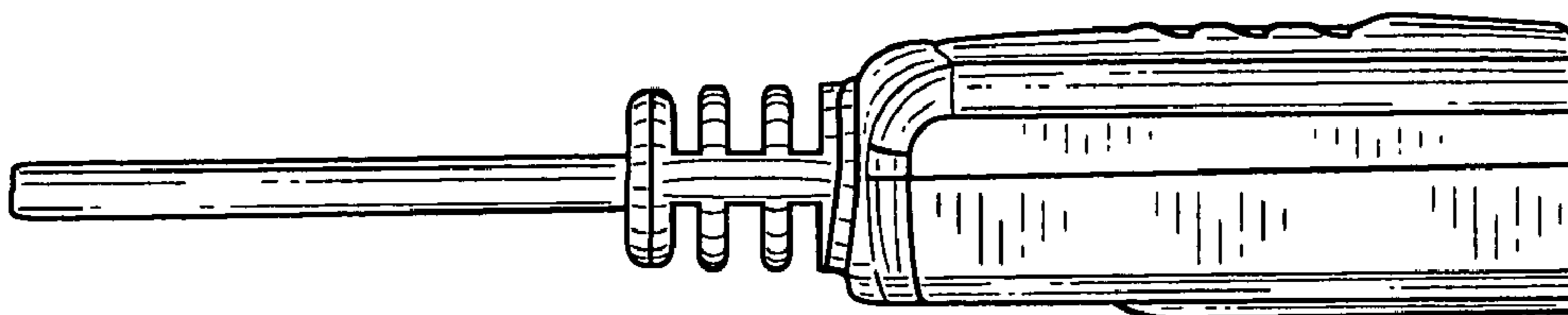


FIG. 5

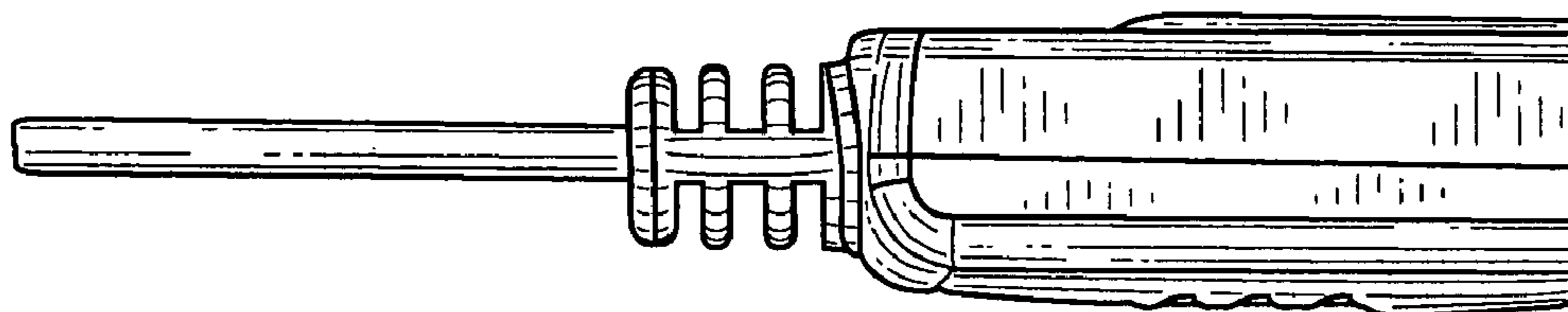


FIG. 6

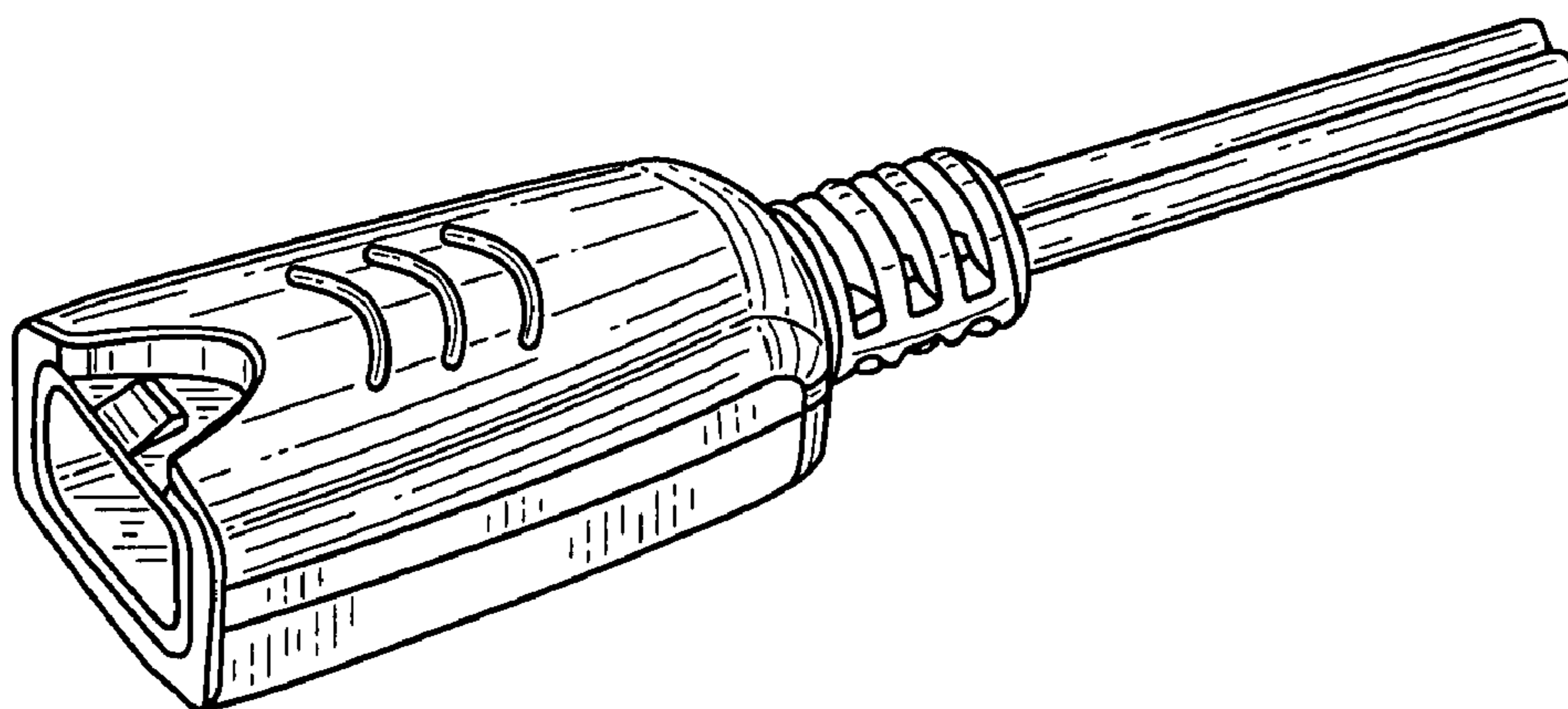


FIG. 7