



US00D586748S

(12) **United States Design Patent**  
**Horikoshi et al.**

(10) **Patent No.:** **US D586,748 S**  
(45) **Date of Patent:** **\*\* Feb. 17, 2009**

(54) **ELECTRICAL DOUBLE LAYER CAPACITOR**

(75) Inventors: **Ron Horikoshi**, Shizuoka (JP);  
**Takahiro Asai**, Shizuoka (JP)

(73) Assignee: **Meidensha Corporation**, Tokyo (JP)

(\*\*) Term: **14 Years**

(21) Appl. No.: **29/300,581**

(22) Filed: **Apr. 11, 2008**

(30) **Foreign Application Priority Data**

Oct. 19, 2007 (JP) ..... 2007-028804

(51) **LOC (9) Cl.** ..... **13-03**

(52) **U.S. Cl.** ..... **D13/125**

(58) **Field of Classification Search** ..... D13/118,  
D13/123-125, 133, 184, 199; 320/2; 361/523,  
361/535, 536, 538, 539, 540, 271, 277, 301.1,  
361/328-330, 763; 429/178

See application file for complete search history.

(56) **References Cited**

**U.S. PATENT DOCUMENTS**

D337,567	S	*	7/1993	Iijima et al.	.....	D13/123
D340,692	S	*	10/1993	Iijima et al.	.....	D13/125
D364,399	S	*	11/1995	Long	.....	D14/433
D390,834	S	*	2/1998	Dizon et al.	.....	D13/184
5,959,830	A	*	9/1999	Inagawa et al.	.....	361/502
6,021,039	A	*	2/2000	Inagawa	.....	361/502
6,097,587	A	*	8/2000	Inagawa et al.	.....	361/502

D497,350	S	*	10/2004	Ichitsubo et al.	.....	D13/184
6,882,519	B2	*	4/2005	Uzawa et al.	.....	361/523
6,995,969	B2	*	2/2006	Araki et al.	.....	361/502
7,268,995	B2	*	9/2007	Yoshida et al.	.....	361/502
7,417,845	B2	*	8/2008	Higashi et al.	.....	361/502
2007/0070580	A1	*	3/2007	Yoshida et al.	.....	361/502
2007/0070581	A1	*	3/2007	Yoshida et al.	.....	361/502

**OTHER PUBLICATIONS**

U.S. Appl. No. 29/300,582, Apr. 11, 2008, Horikoshi et al.

\* cited by examiner

*Primary Examiner*—Daniel D Bui

*Assistant Examiner*—Thomas J Johannes

(74) *Attorney, Agent, or Firm*—Foley & Lardner LLP

(57) **CLAIM**

We claim the ornamental design for an electrical double layer capacitor, as shown and described.

**DESCRIPTION**

FIG. 1 is a front upper right perspective view of an electrical double layer capacitor showing our new design;

FIG. 2 is a front lower left perspective view thereof;

FIG. 3 is a front elevation view thereof; the rear elevation view being a mirror image thereto;

FIG. 4 is a right side elevation view thereof;

FIG. 5 is a left side elevation view thereof;

FIG. 6 is a top plan view thereof; and,

FIG. 7 is a bottom plan view thereof.

**1 Claim, 5 Drawing Sheets**

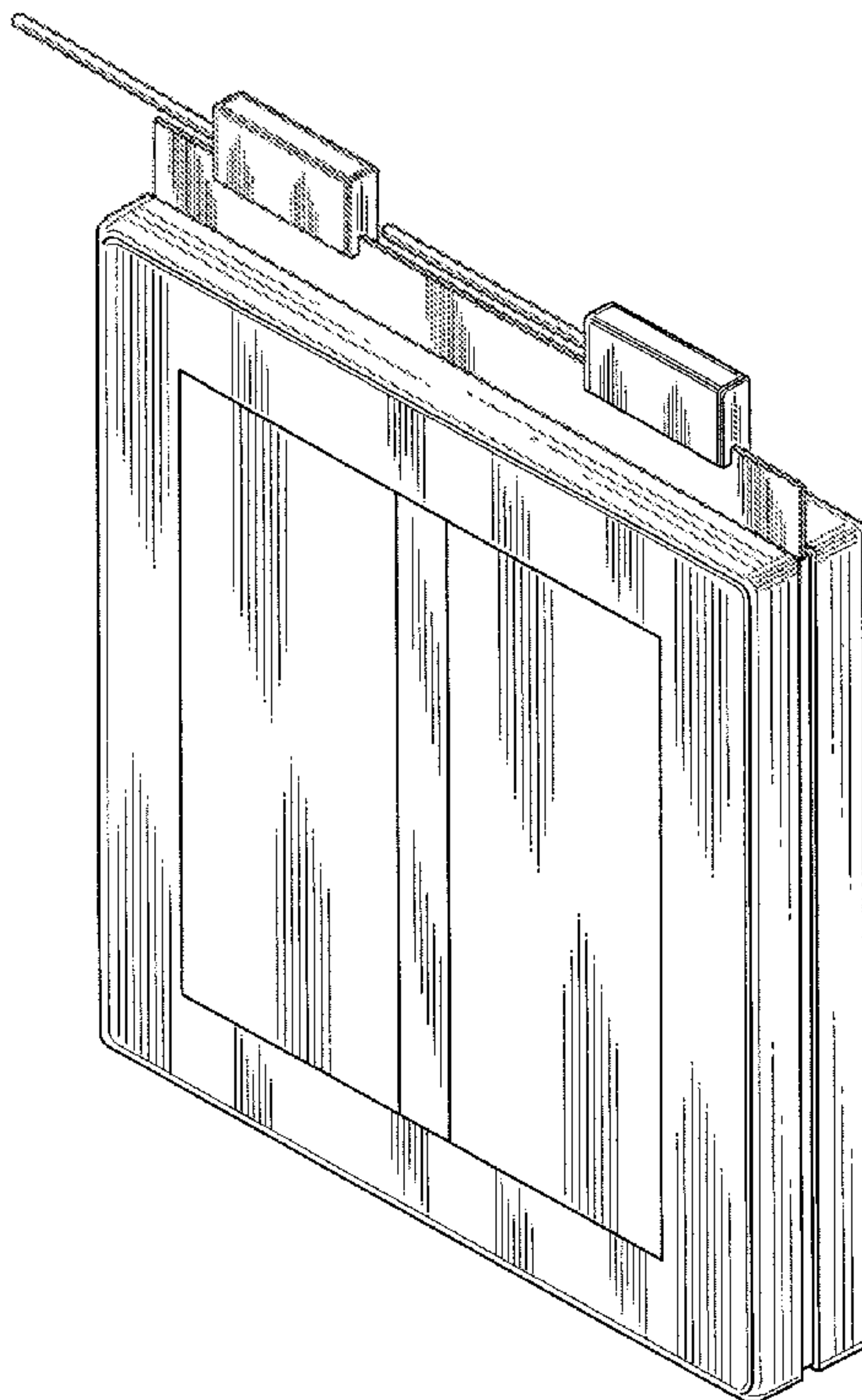


FIG.1

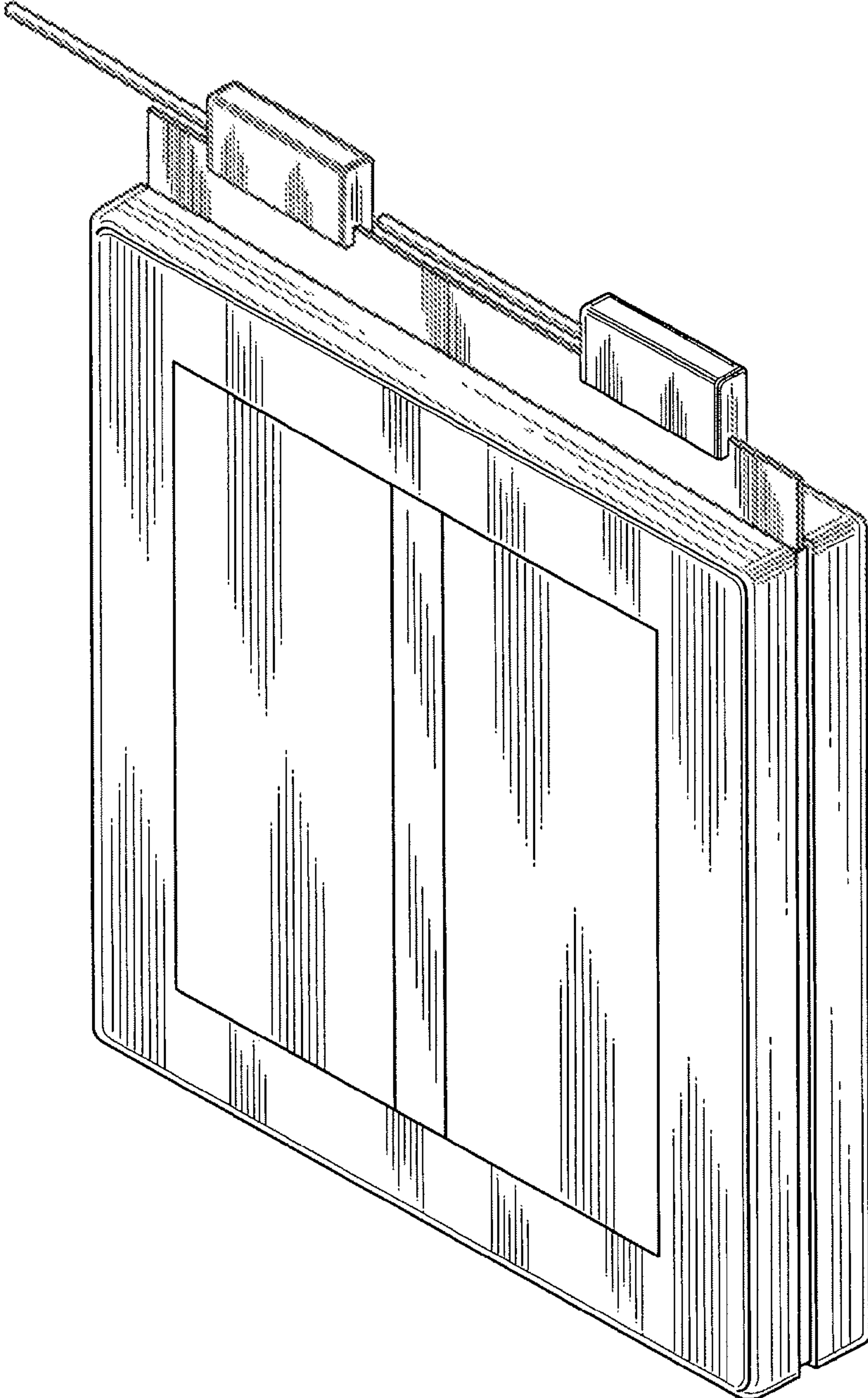


FIG.2

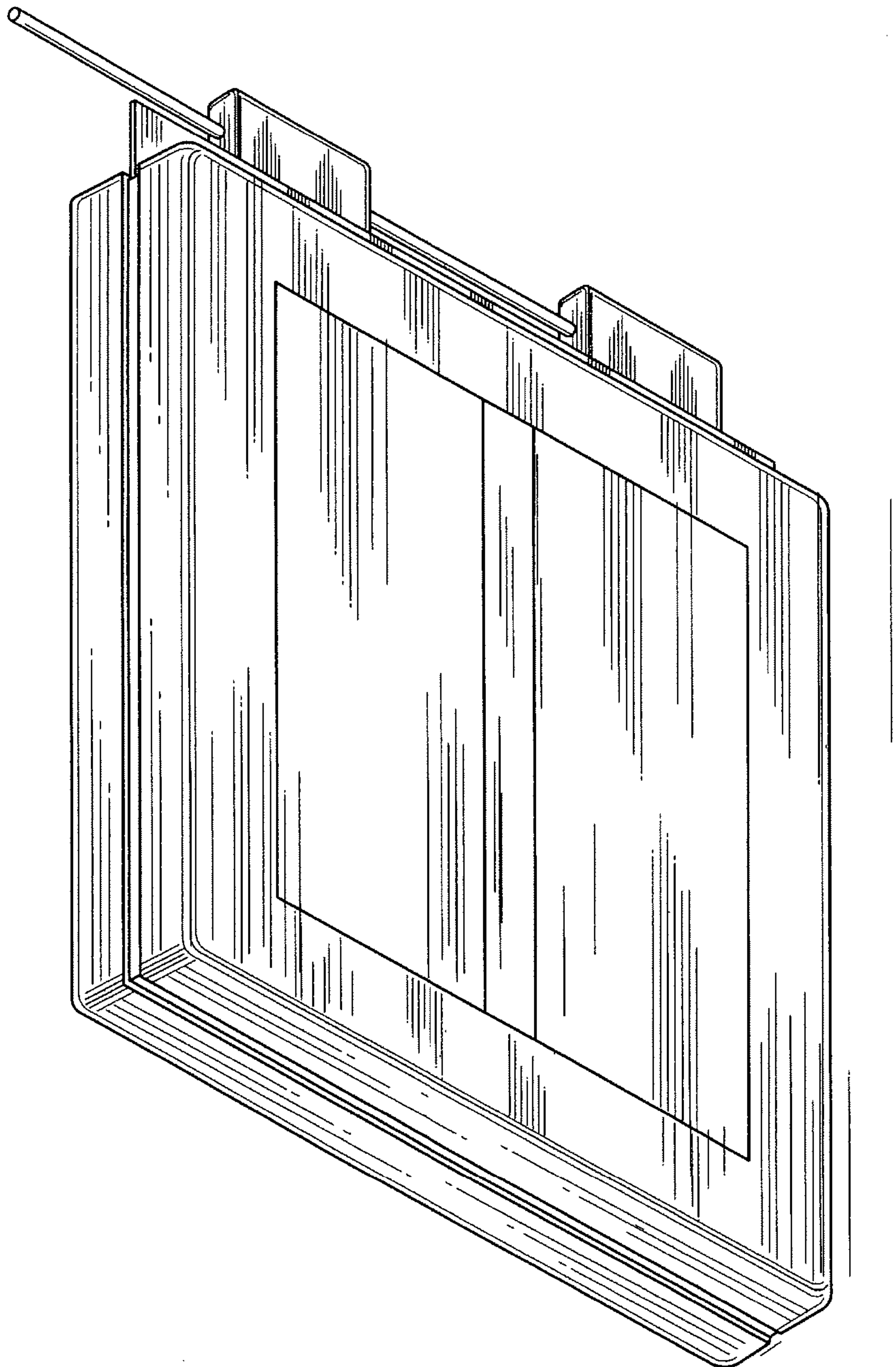
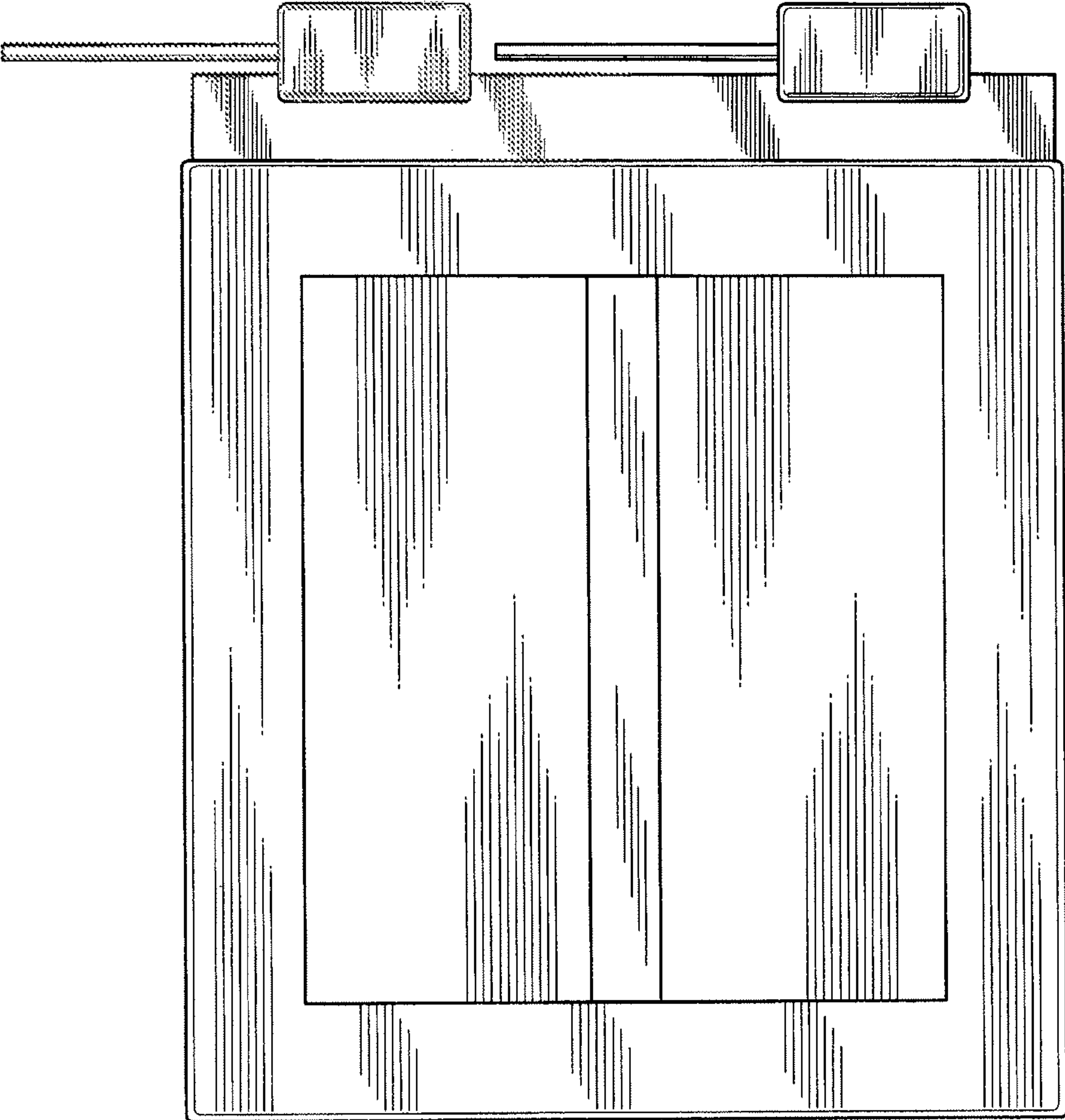
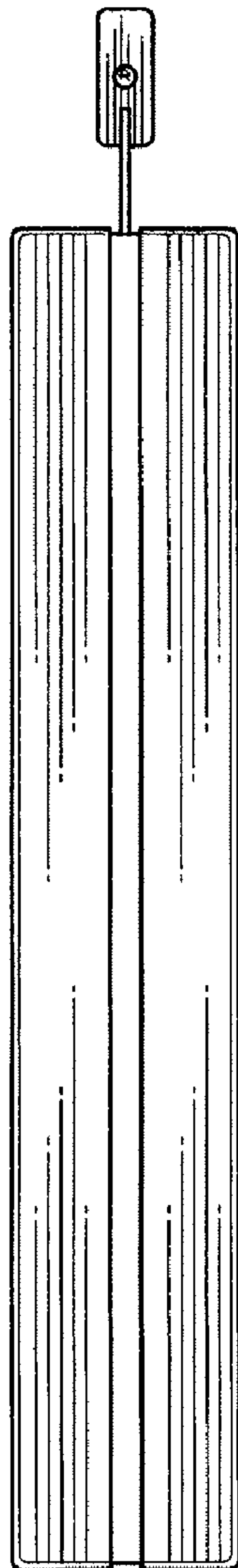




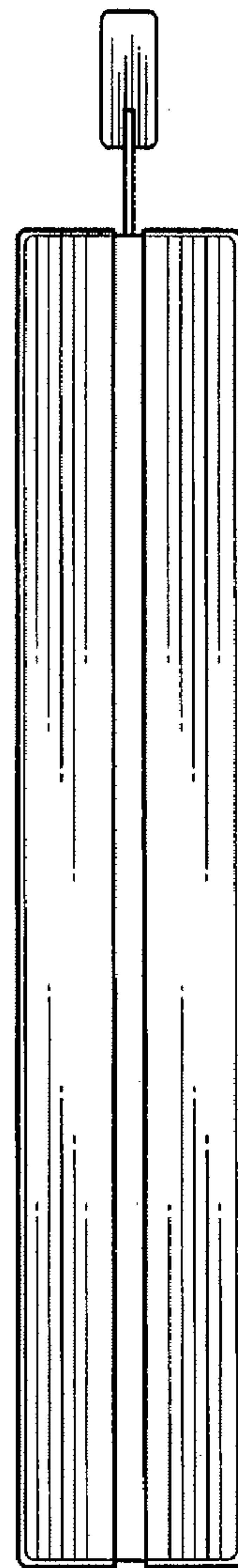
FIG.3



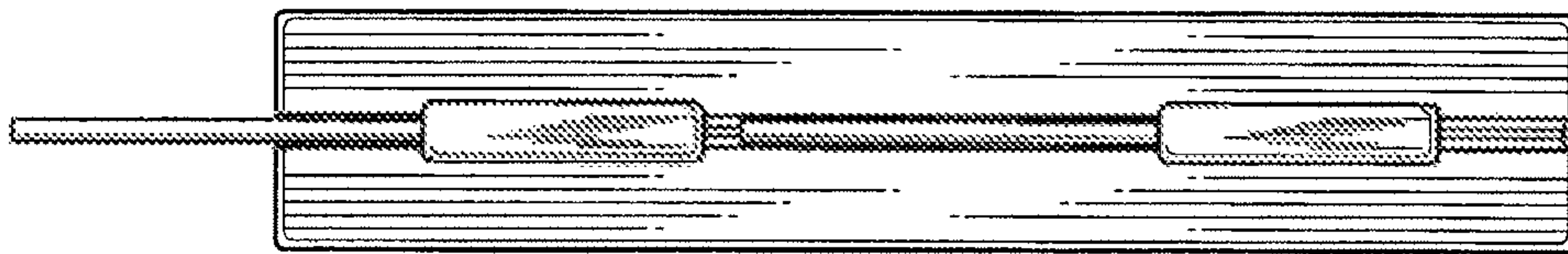
**FIG.5**



**FIG.4**



**FIG. 6**



**FIG. 7**

