



US00D586745S

(12) **United States Design Patent**
Shibata et al.

(10) **Patent No.:** **US D586,745 S**

(45) **Date of Patent:** **** Feb. 17, 2009**

(54) **COIL UNIT**

(75) Inventors: **Kazuhiko Shibata**, Tokyo (JP); **Kazuuya Higurashi**, Tokyo (JP); **Fuyuki Miura**, Tokyo (JP)

(73) Assignee: **TDK Corporation**, Tokyo (JP)

(**) Term: **14 Years**

(21) Appl. No.: **29/300,362**

(22) Filed: **Mar. 19, 2008**

(30) **Foreign Application Priority Data**

Sep. 26, 2007 (JP) 2007-025975

(51) **LOC (9) Cl.** **13-02**

(52) **U.S. Cl.** **D13/117**

(58) **Field of Classification Search** D13/117;
123/634; 336/83, 90, 92, 96, 160, 178, 192,
336/198, 200

See application file for complete search history.

(56) **References Cited**

U.S. PATENT DOCUMENTS

D83,302 S * 2/1931 Blosser D13/117
D203,179 S * 12/1965 Foerster D13/117
D203,180 S * 12/1965 Foerster D13/117
5,463,999 A * 11/1995 Taruya et al. 123/647

5,552,756 A * 9/1996 Ushiro 336/200
D421,595 S * 3/2000 Davis D13/117
D463,364 S * 9/2002 Arens D13/117
6,774,757 B2 * 8/2004 Fujiyoshi et al. 336/200
6,791,445 B2 * 9/2004 Shibata et al. 336/90

FOREIGN PATENT DOCUMENTS

JP A 2003-282333 10/2003

* cited by examiner

Primary Examiner—Prabhakar Deshmukh

Assistant Examiner—Derrick Holland

(74) *Attorney, Agent, or Firm*—Oliff & Berridge, PLC

(57) **CLAIM**

The ornamental design for coil unit, as shown and described.

DESCRIPTION

FIG. 1 is a perspective view of coil unit showing our new design;

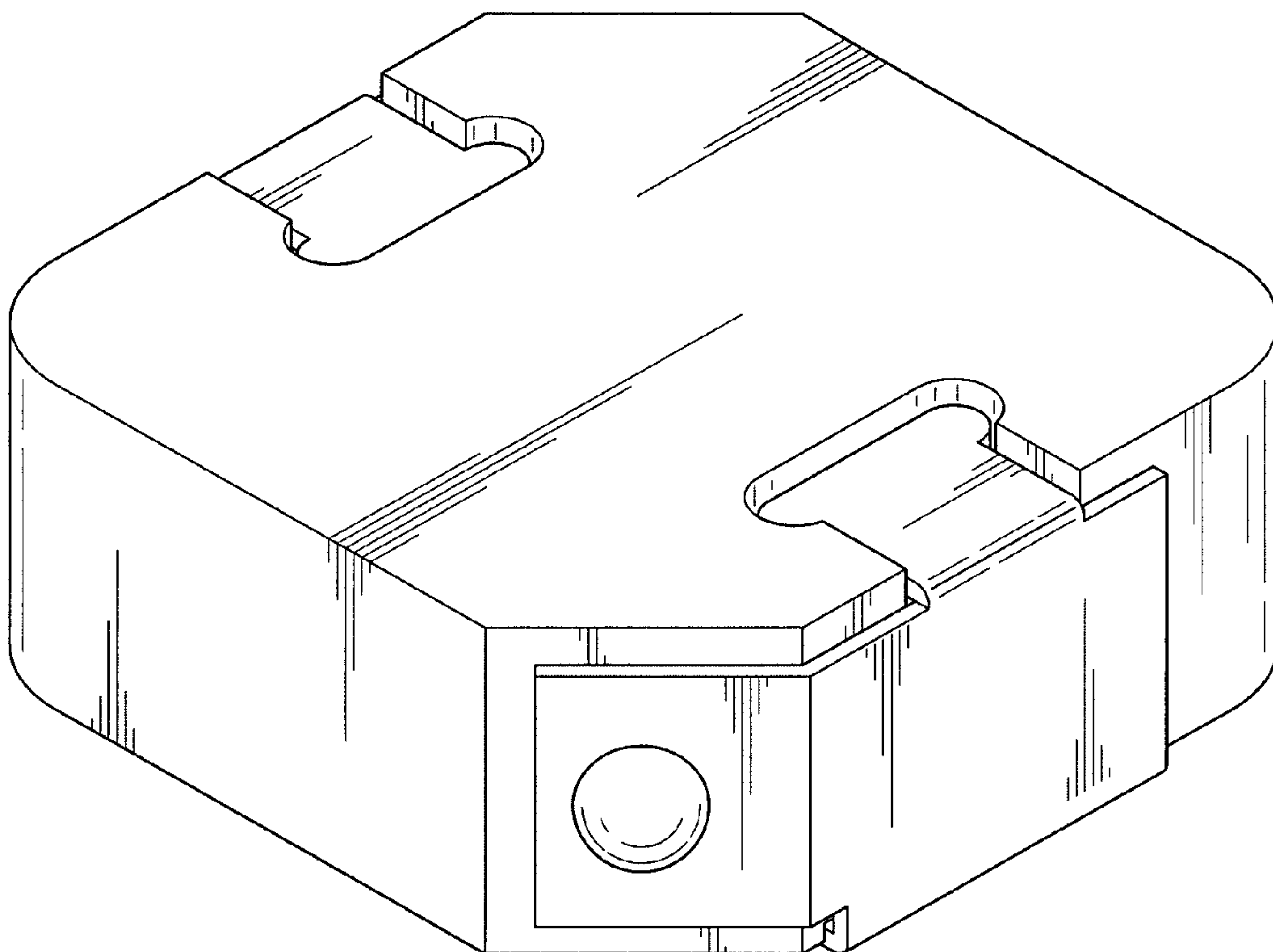
FIG. 2 is a top plan view thereof;

FIG. 3 is a front elevation view, with the rear elevation view being a mirror image of the front elevation view thereof;

FIG. 4 is a right side elevation view, with the left side elevation view being a mirror image of the right side elevation view thereof; and,

FIG. 5 is a bottom plan view thereof.

1 Claim, 3 Drawing Sheets



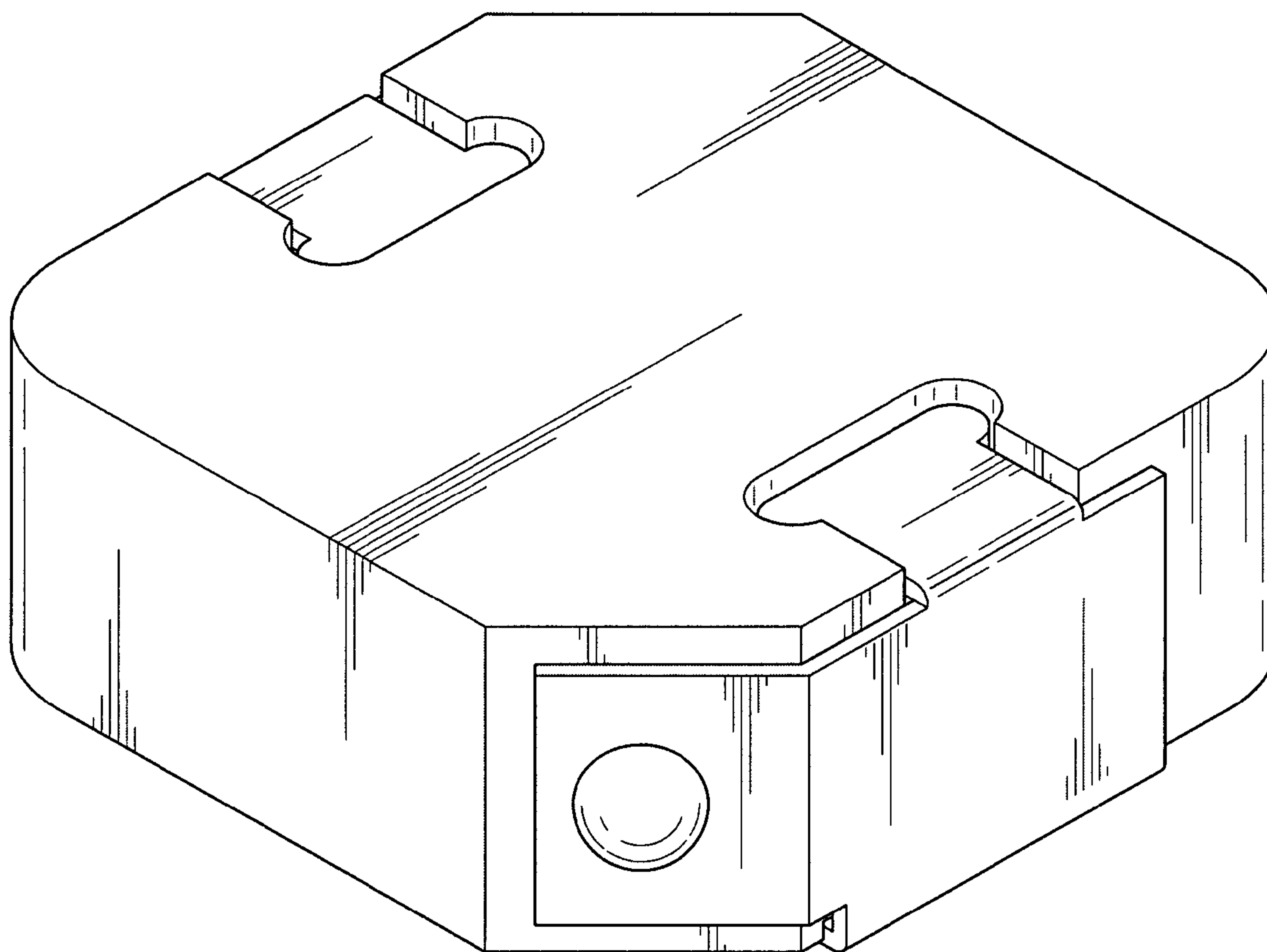


FIG. 1

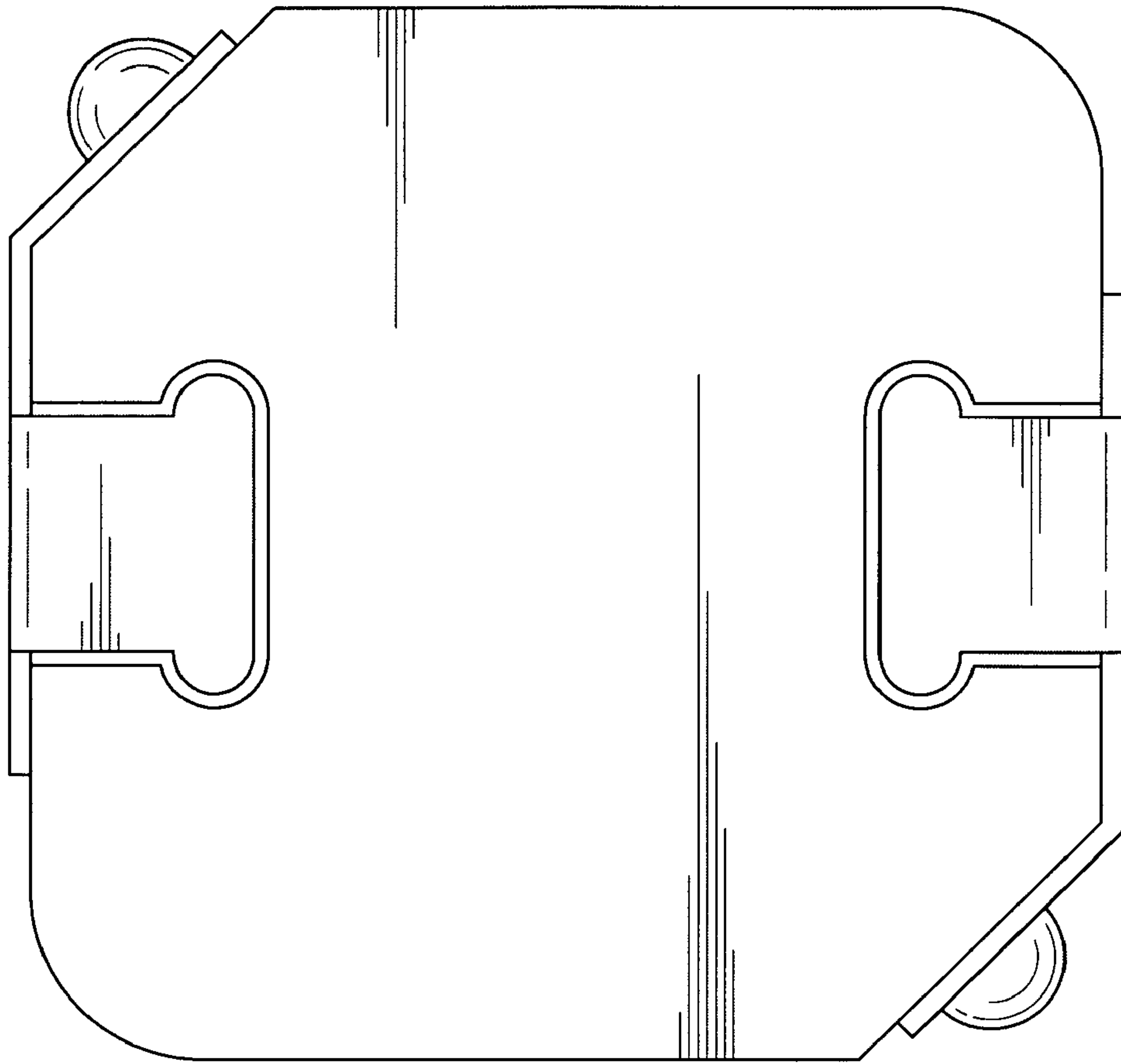


FIG. 2

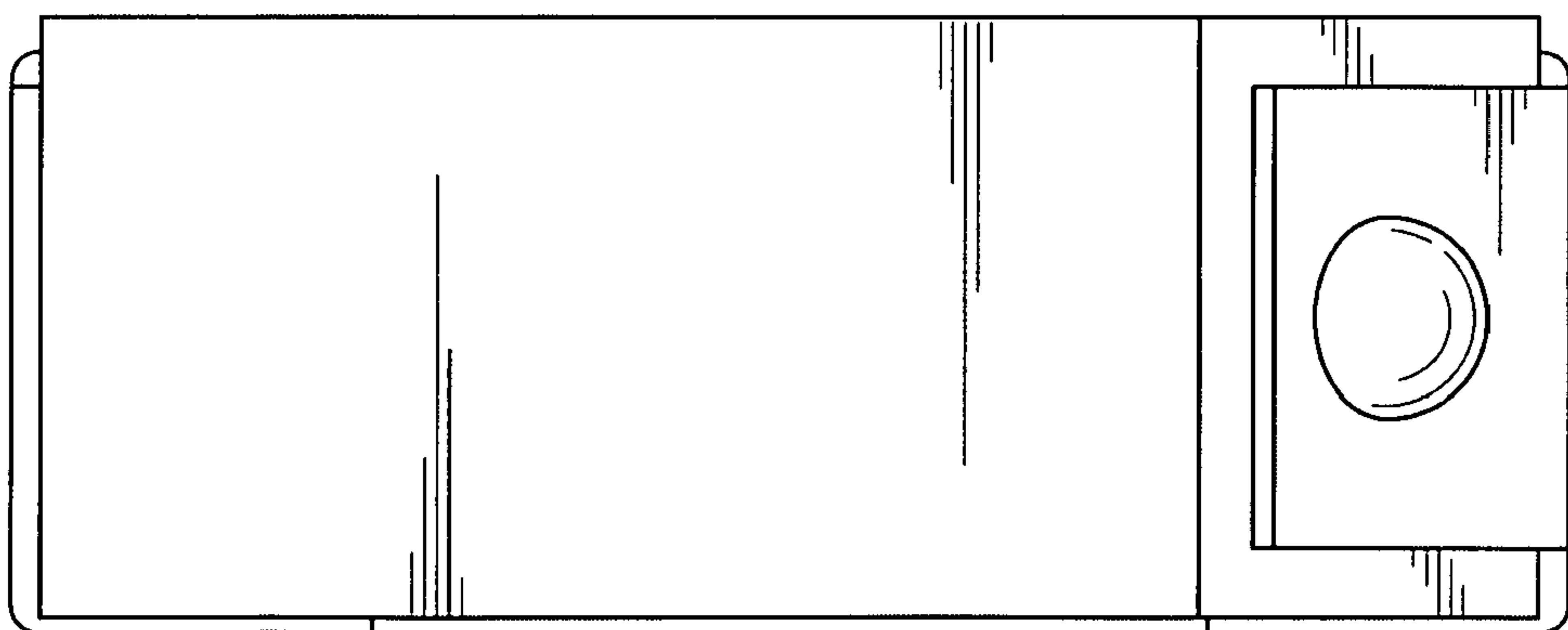


FIG. 3

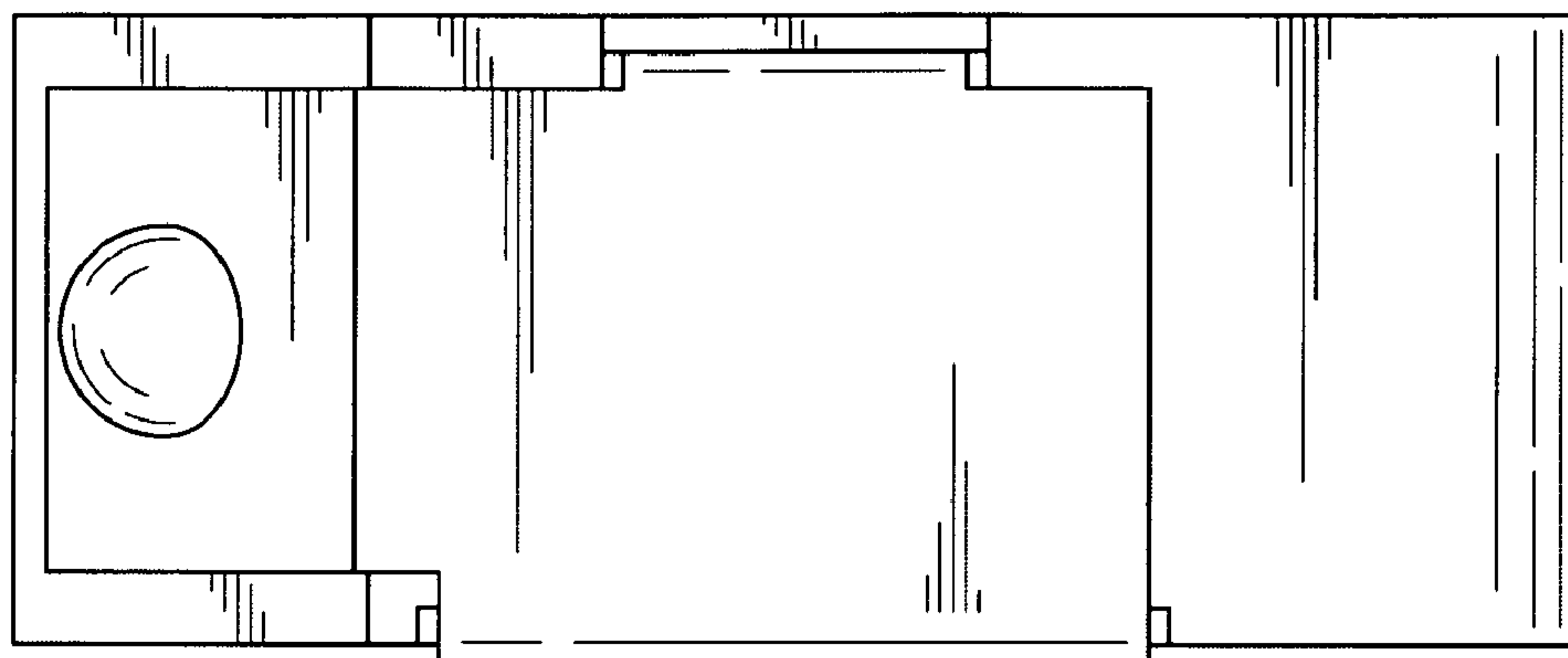


FIG. 4

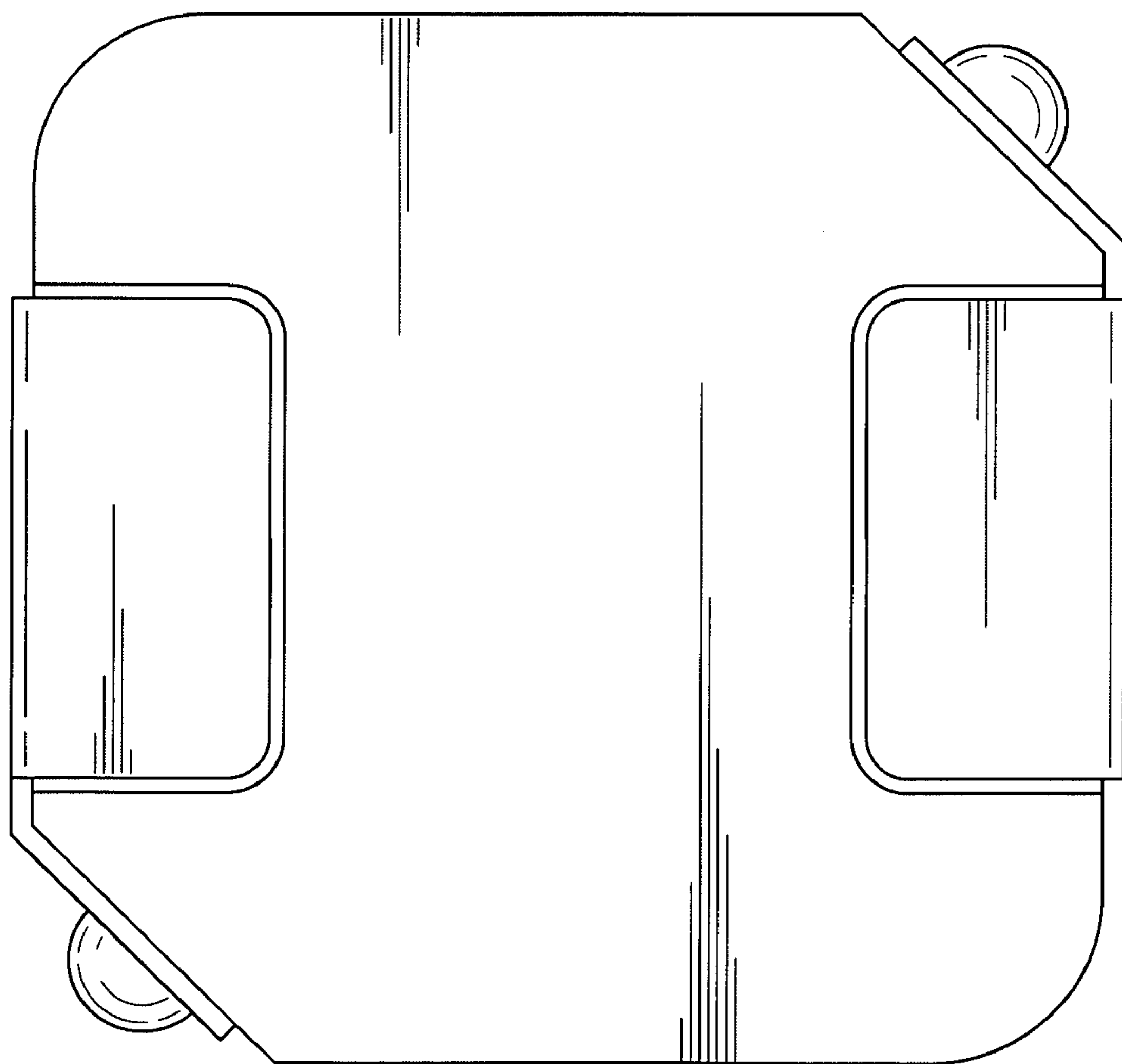


FIG. 5