



US00D586742S

(12) **United States Design Patent**  
**Song**

(10) **Patent No.:** **US D586,742 S**

(45) **Date of Patent:** **\*\* Feb. 17, 2009**

(54) **SMART BATTERY**

(75) Inventor: **David Tan Qing Song**, Fu Tian District  
(CN)

(73) Assignee: **Teleway Industrial Ltd.**, Shenzhen  
(CN)

(\*\*) Term: **14 Years**

(21) Appl. No.: **29/318,741**

(22) Filed: **May 27, 2008**

(51) **LOC (9) Cl.** ..... **13-02**

(52) **U.S. Cl.** ..... **D13/103**

(58) **Field of Classification Search** ..... D13/102–106,  
D13/110, 118–119, 184; 429/96–100, 163,  
429/176

See application file for complete search history.

(56) **References Cited**

**U.S. PATENT DOCUMENTS**

|           |      |         |                        |         |
|-----------|------|---------|------------------------|---------|
| 4,288,733 | A *  | 9/1981  | Bilanceri et al. ....  | 320/113 |
| 5,489,486 | A *  | 2/1996  | Glover .....           | 429/100 |
| D400,493  | S *  | 11/1998 | Witkowski et al. ....  | D13/103 |
| D446,499  | S *  | 8/2001  | Andre et al. ....      | D13/110 |
| 6,447,949 | B2 * | 9/2002  | Iwata et al. ....      | 429/185 |
| 6,602,637 | B1 * | 8/2003  | Kurasawa et al. ....   | 429/176 |
| D506,065  | S *  | 6/2005  | Sugino et al. ....     | D3/294  |
| D518,451  | S *  | 4/2006  | Nussberger et al. .... | D13/184 |
| D561,093  | S *  | 2/2008  | Sween et al. ....      | D13/110 |
| D561,094  | S *  | 2/2008  | Sween et al. ....      | D13/110 |
| D561,687  | S *  | 2/2008  | Sween et al. ....      | D13/110 |
| D568,240  | S *  | 5/2008  | Haydvoegel .....       | D13/103 |

|              |      |         |                       |         |
|--------------|------|---------|-----------------------|---------|
| 2003/0017372 | A1 * | 1/2003  | Probst et al. ....    | 429/7   |
| 2003/0129487 | A1 * | 7/2003  | Inoue et al. ....     | 429/176 |
| 2005/0106454 | A1 * | 5/2005  | Kozu et al. ....      | 429/175 |
| 2005/0118501 | A1 * | 6/2005  | Hashimoto et al. .... | 429/180 |
| 2005/0233206 | A1 * | 10/2005 | Puttaiah et al. ....  | 429/120 |
| 2006/0246349 | A1 * | 11/2006 | Uh .....              | 429/175 |

\* cited by examiner

*Primary Examiner*—Jennifer Rivard

*Assistant Examiner*—Rosemary K Tarcza

(74) *Attorney, Agent, or Firm*—Christie, Parker & Hale, LLP

(57) **CLAIM**

The ornamental design for smart battery, as shown and described.

**DESCRIPTION**

FIG. 1 is a bottom left side isometric view of the battery of the invention;

FIG. 2 is a left side elevational view thereof;

FIG. 3 is a front elevational view thereof;

FIG. 4 is a right side elevational view thereof;

FIG. 5 is a rear elevational view thereof;

FIG. 6 is a bottom plan view thereof;

FIG. 7 is a top plan view thereof; and,

FIG. 8 is an exploded view thereof.

The broken lines shown in the drawings are included for the purpose of illustrating environmental structure and form no part of the claimed design.

**1 Claim, 5 Drawing Sheets**

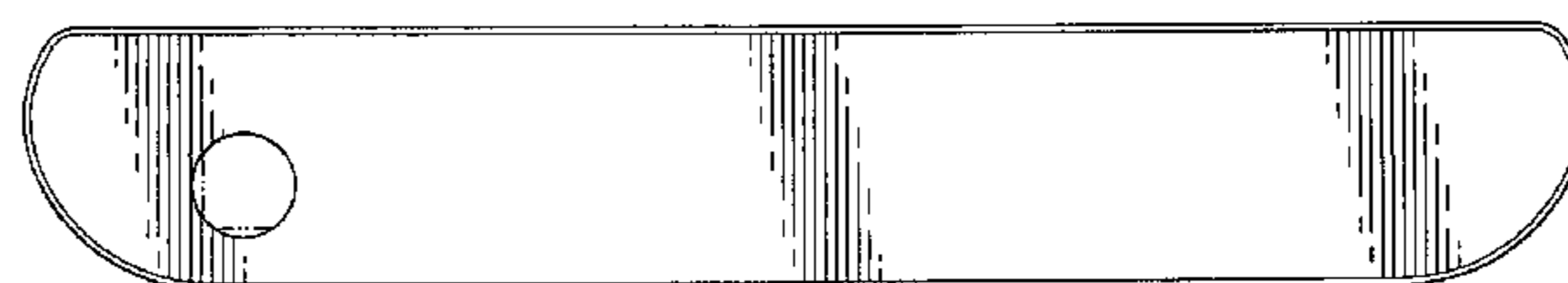
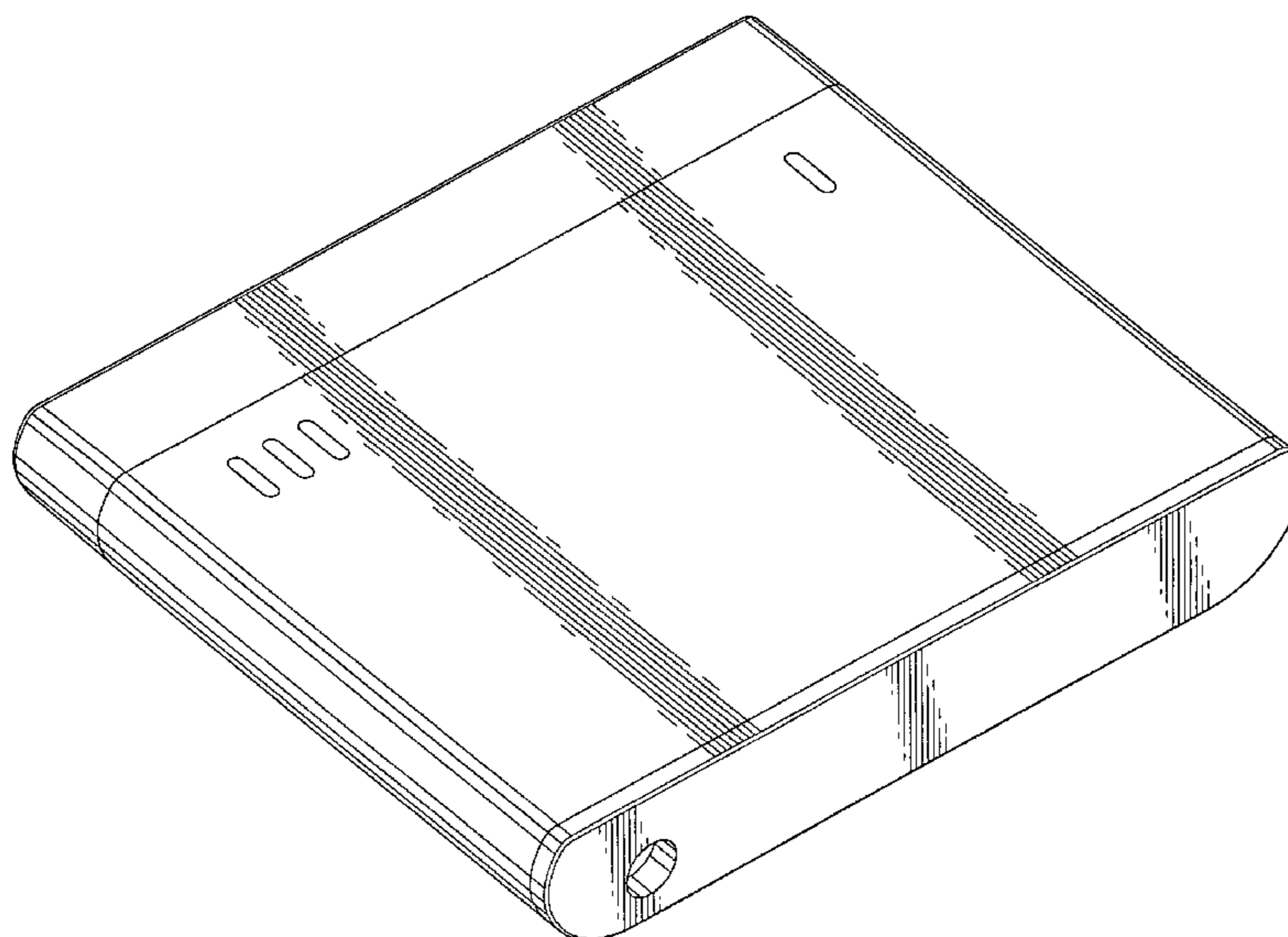


FIG. 1

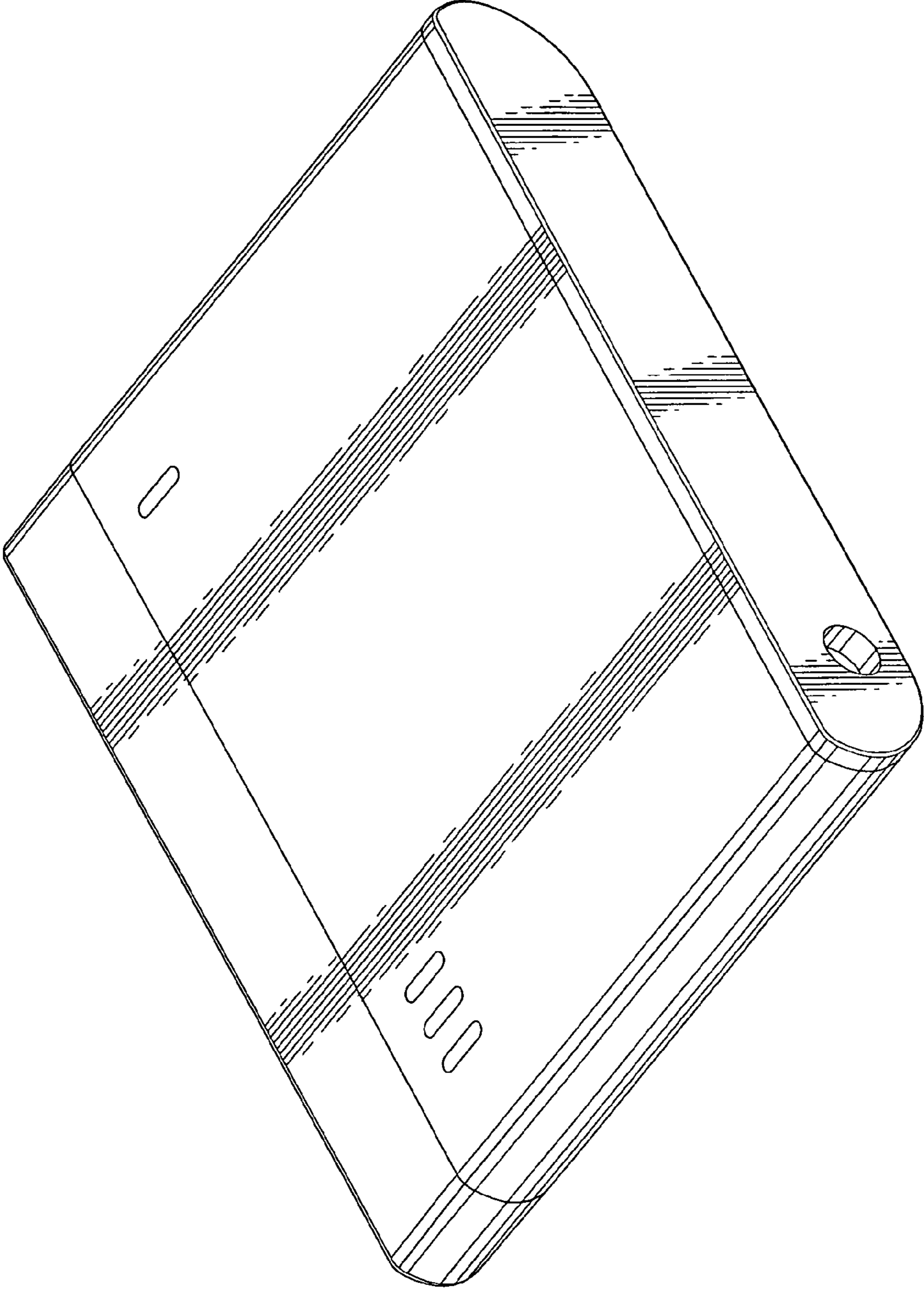


FIG. 3

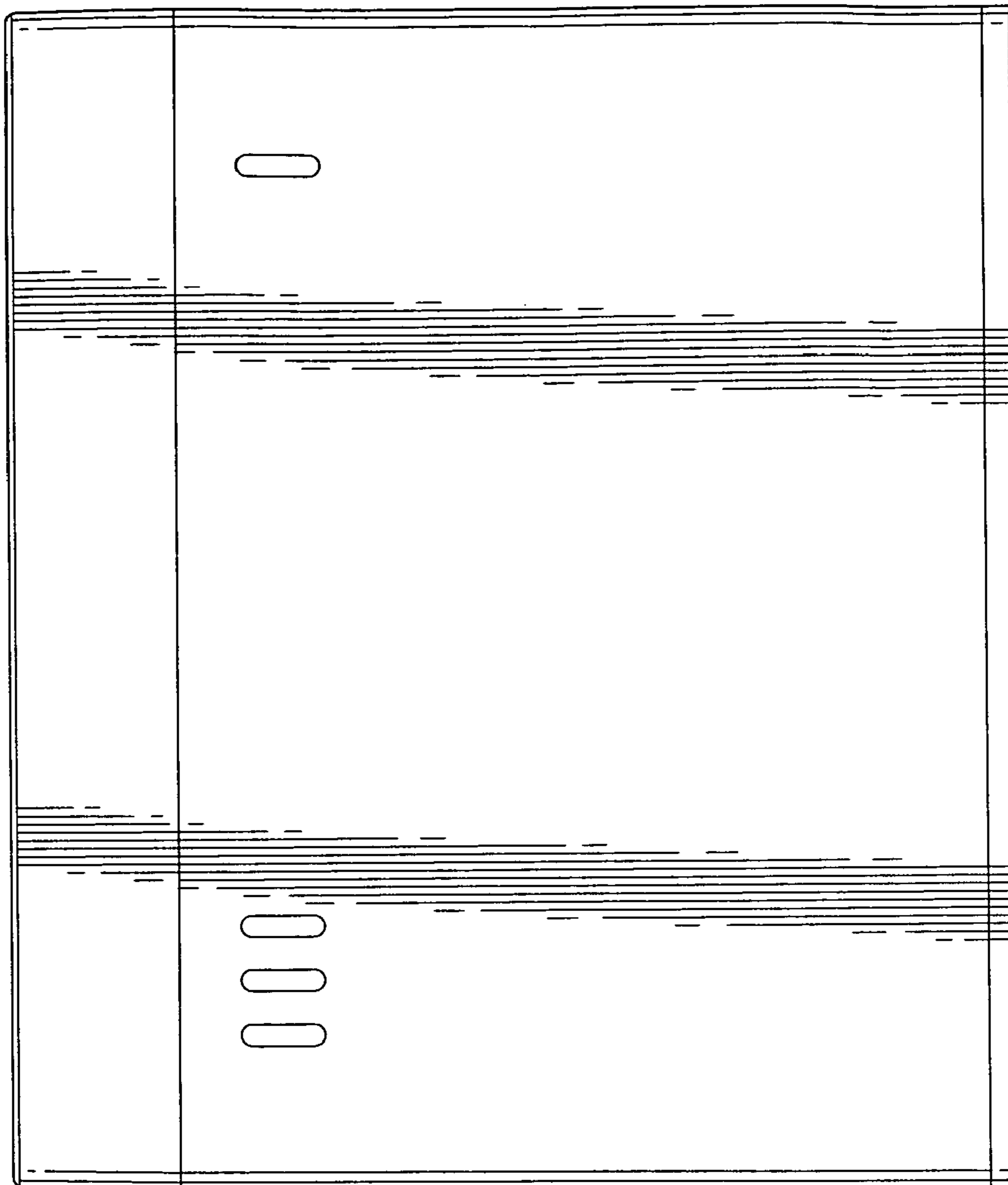


FIG. 2

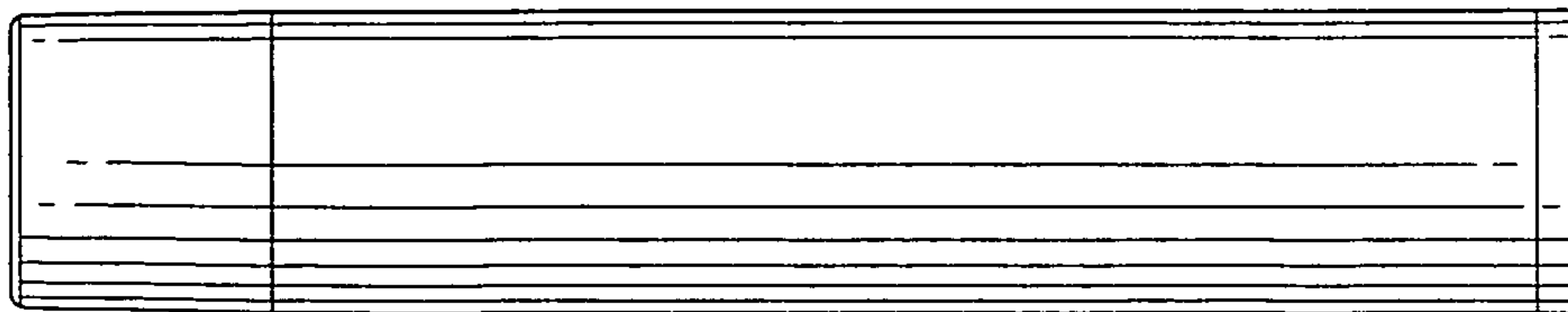


FIG. 5

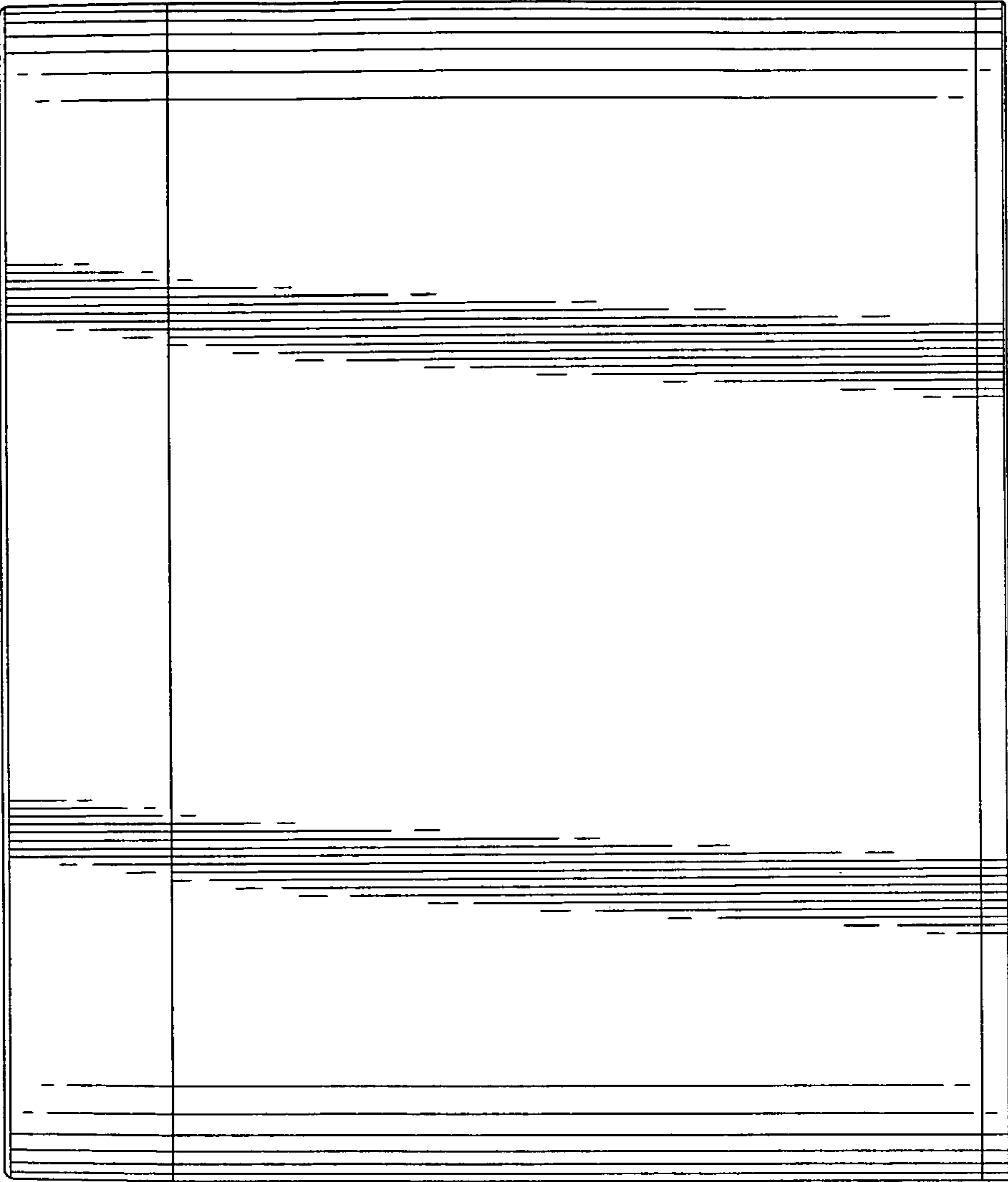


FIG. 4

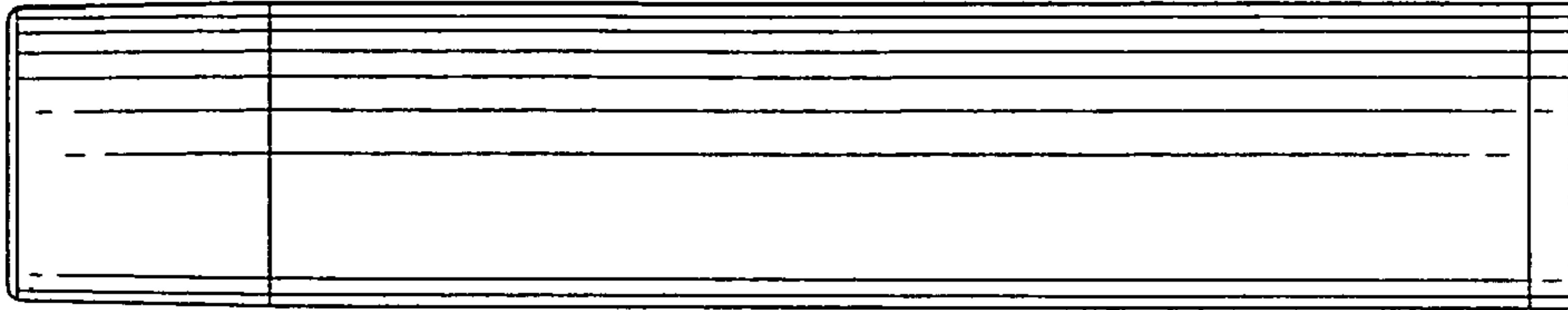


FIG. 6

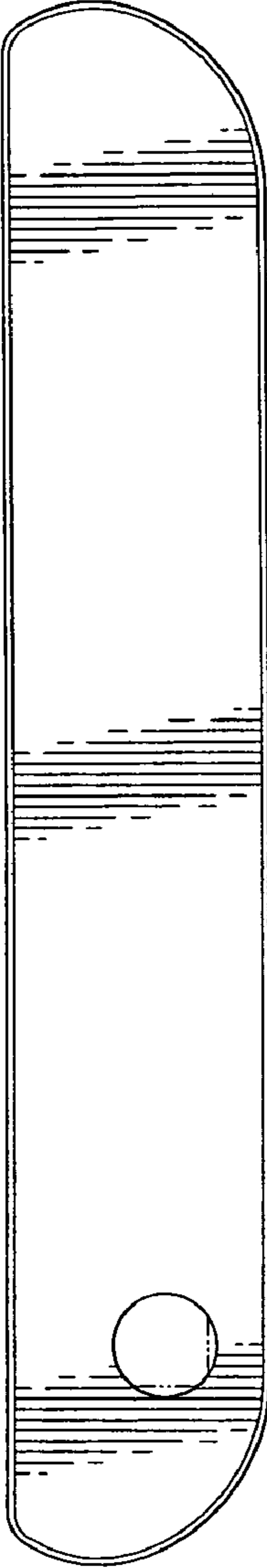


FIG. 7

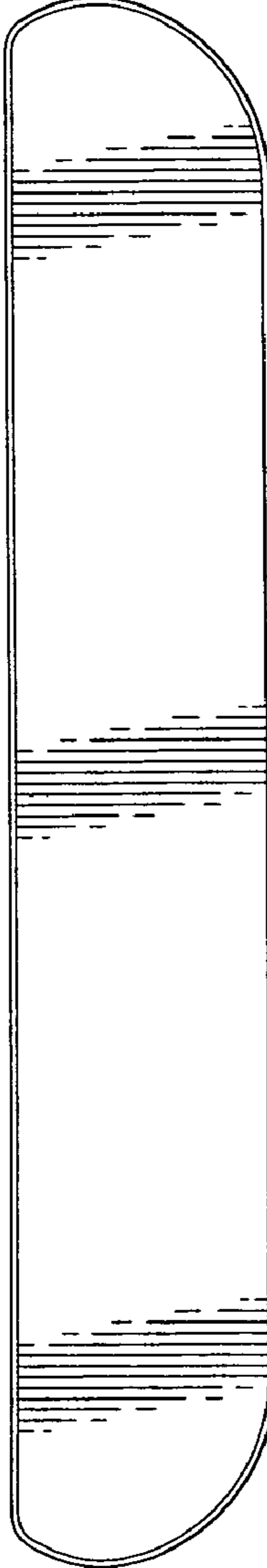




FIG. 8

