



US00D586739S

(12) **United States Design Patent**
Zaremba

(10) **Patent No.:** **US D586,739 S**

(45) **Date of Patent:** **** Feb. 17, 2009**

(54) **BATTERY HOUSING**

(75) Inventor: **Adam J. Zaremba**, Oxnard, CA (US);
Virginia Alvarez Zaremba, legal
representative, Oxnard, CA (US)

(73) Assignee: **ZPower, Inc.**, Camarillo, CA (US)

(**) Term: **14 Years**

(21) Appl. No.: **29/317,253**

(22) Filed: **Apr. 25, 2008**

(51) **LOC (9) Cl.** **13-02**

(52) **U.S. Cl.** **D13/103**

(58) **Field of Classification Search** D13/102–106,
D13/110, 118–119, 184; 429/96–100, 163,
429/176

See application file for complete search history.

(56) **References Cited**

U.S. PATENT DOCUMENTS

4,288,733	A *	9/1981	Bilanceri et al.	320/113
D400,493	S *	11/1998	Witkowski et al.	D13/103
D417,860	S *	12/1999	Lau	D13/103
D432,078	S *	10/2000	Chen	D13/103
D446,499	S *	8/2001	Andre et al.	D13/110
D460,424	S *	7/2002	Zhao	D13/184
6,447,949	B2 *	9/2002	Iwata et al.	429/185
D475,965	S *	6/2003	Tsukamoto et al.	D13/103
D483,013	S *	12/2003	Tsukamoto et al.	D13/103
D489,679	S *	5/2004	Wong	D13/103
D504,393	S *	4/2005	Yan	D13/103
D507,523	S *	7/2005	Resch et al.	D13/103
D521,447	S *	5/2006	Ono et al.	D13/103
D538,222	S *	3/2007	Curello et al.	D13/103
D543,954	S *	6/2007	Hayes et al.	D13/184
D543,955	S *	6/2007	Hayes et al.	D13/184
D546,276	S *	7/2007	Hagman et al.	D13/103
D561,093	S *	2/2008	Sween et al.	D13/110
D561,094	S *	2/2008	Sween et al.	D13/110

D561,687	S *	2/2008	Sween et al.	D13/110
D568,240	S *	5/2008	Haydvogel	D13/103
2003/0017372	A1 *	1/2003	Probst et al.	429/7
2003/0017390	A1 *	1/2003	Probst et al.	429/176
2003/0129487	A1 *	7/2003	Inoue et al.	429/176
2005/0118501	A1 *	6/2005	Hashimoto et al.	429/180
2006/0040178	A1 *	2/2006	Probst et al.	429/176

* cited by examiner

Primary Examiner—Jennifer Rivard

Assistant Examiner—Rosemary K Tarcza

(74) *Attorney, Agent, or Firm*—Honigman, Miller; Andrew
N. Weber; Jonathan O'Brien

(57) **CLAIM**

The ornamental design for a battery housing, as described and
shown.

DESCRIPTION

FIG. 1 shows a perspective view of a battery housing incor-
porating my design.

FIG. 2 shows a right side view of the battery housing shown
in FIG. 1.

FIG. 3 shows a left side view of the battery housing shown in
FIG. 1.

FIG. 4 shows a top view of the battery housing shown in FIG.
1.

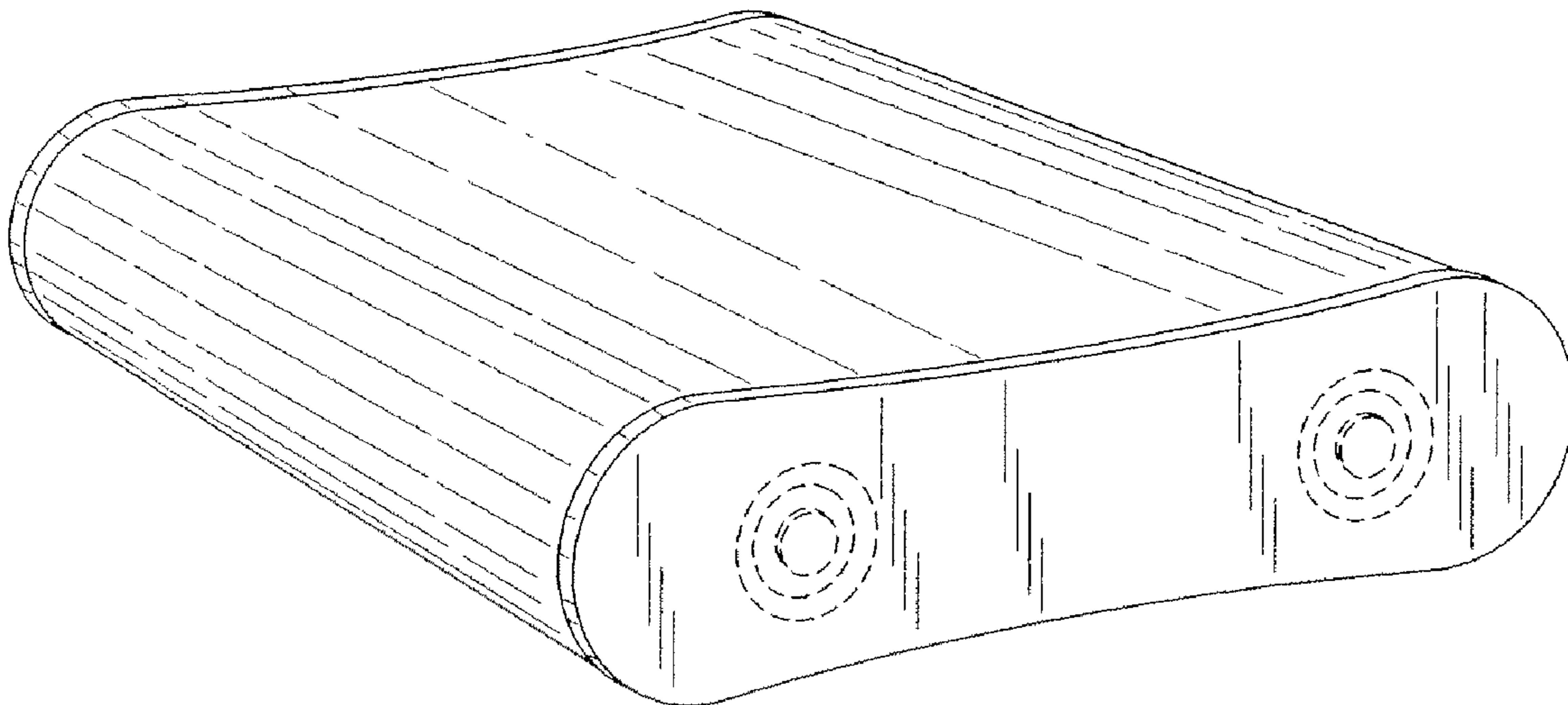
FIG. 5 shows a front view of the battery housing shown in
FIG. 1.

FIG. 6 shows a rear view of the battery housing shown in FIG.
1; and,

FIG. 7 shows a bottom view of the battery housing shown in
FIG. 1.

The broken lines in the drawings depict environmental struc-
ture that forms no part of the claimed invention.

1 Claim, 3 Drawing Sheets



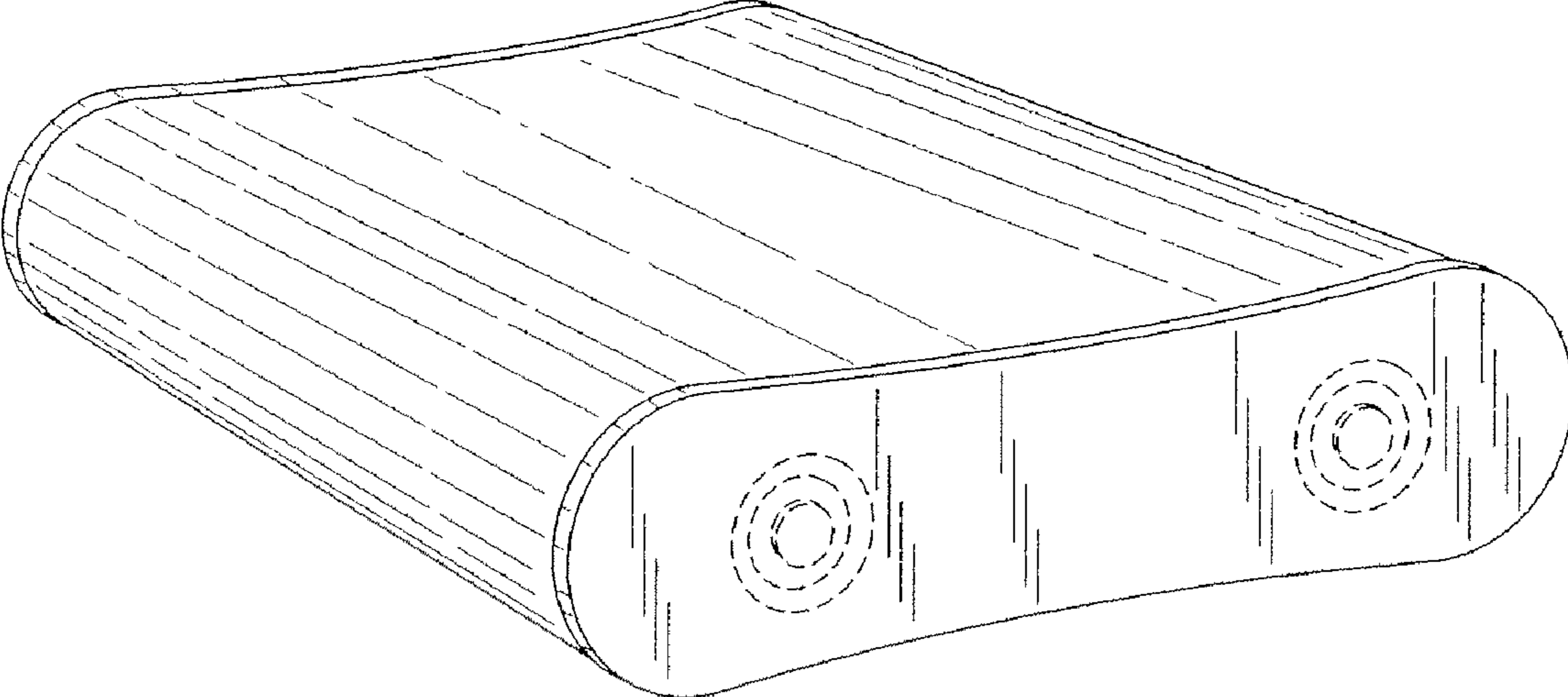


FIG. 1

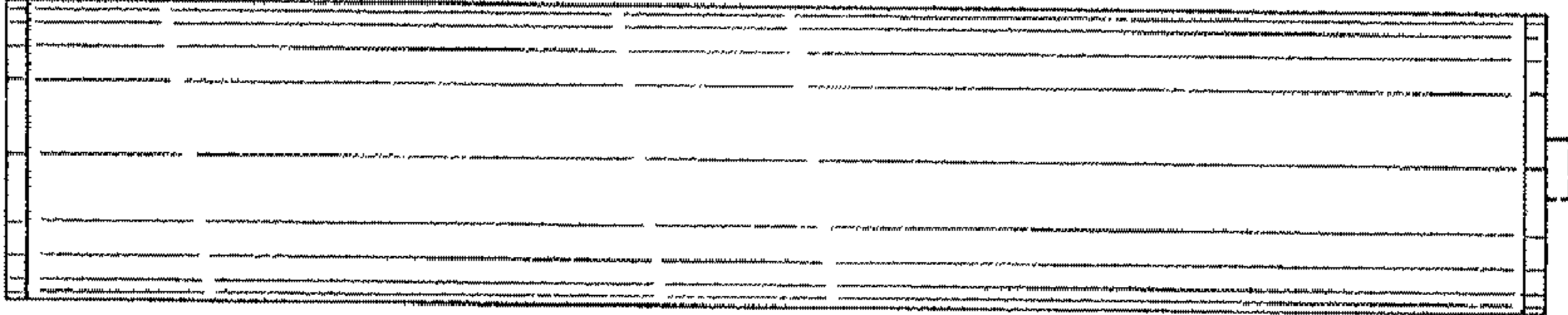


FIG. 2

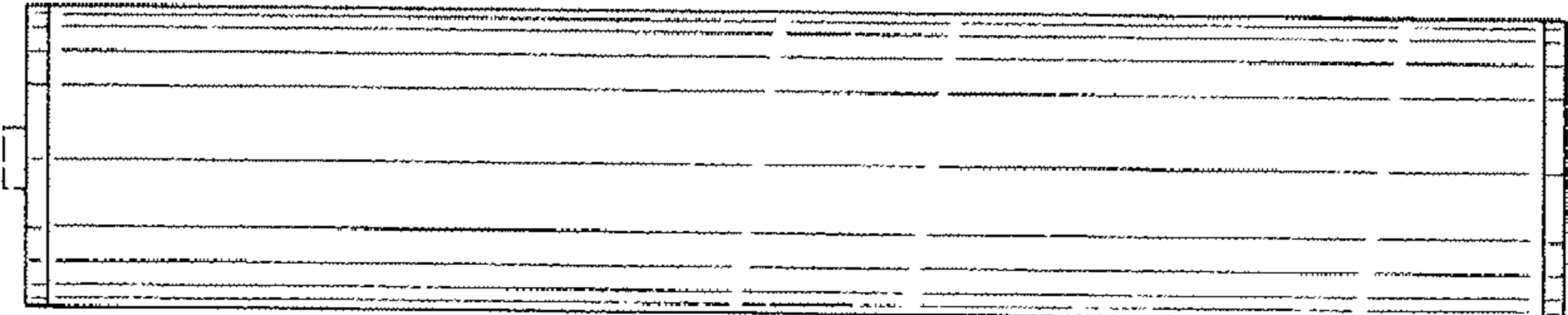


FIG. 3

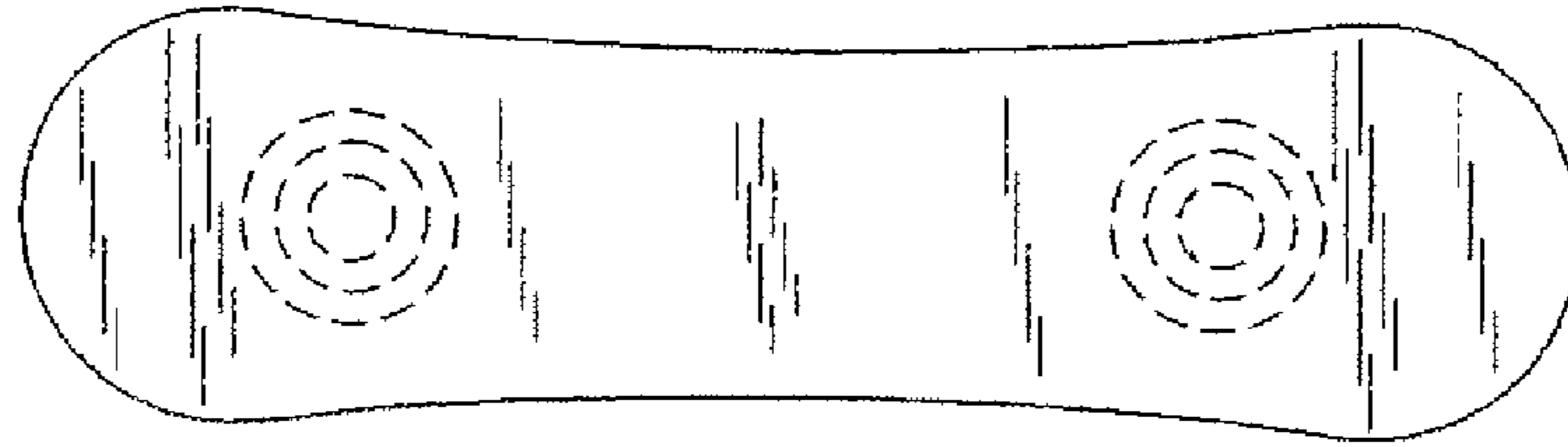


FIG. 4

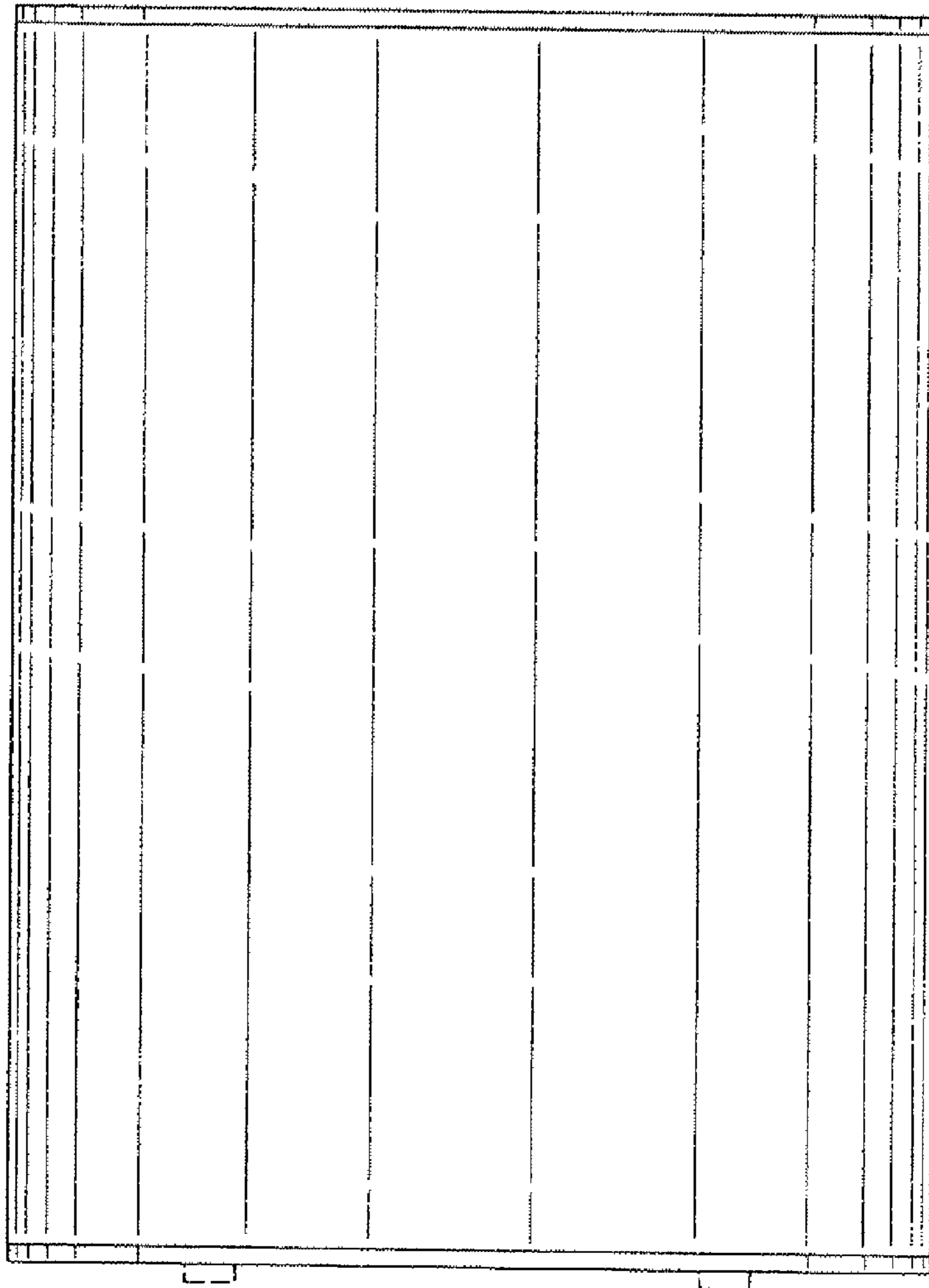


FIG. 5

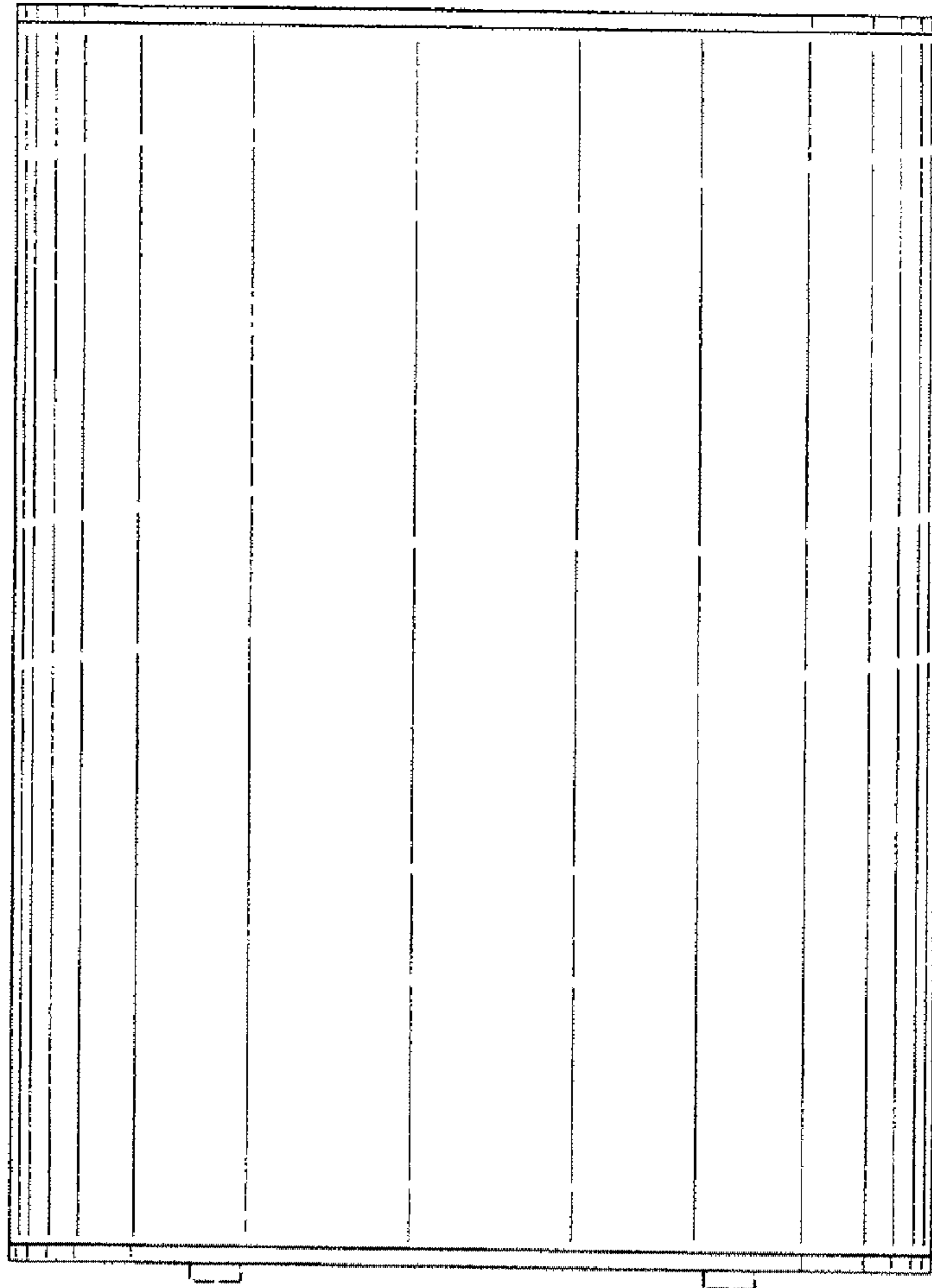


FIG. 6

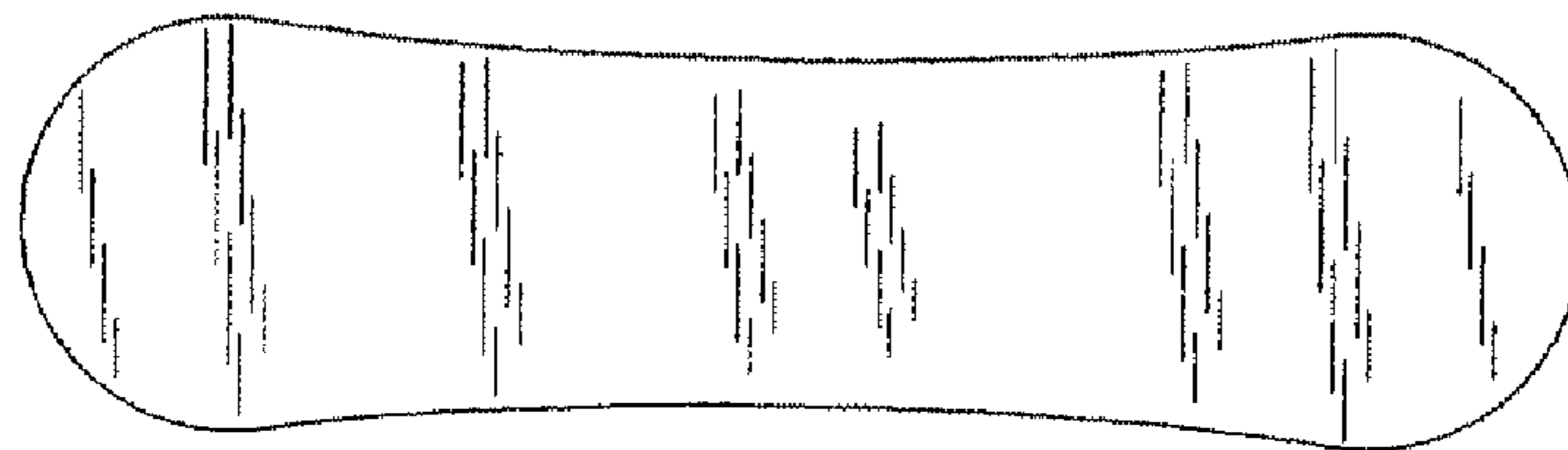


FIG. 7