



US00D586736S

(12) **United States Design Patent**
Fowler

(10) **Patent No.:** **US D586,736 S**

(45) **Date of Patent:** **** Feb. 17, 2009**

(54) **SOLAR POWERED CHARGER**

6,650,085 B2 * 11/2003 Lau et al. 320/101
D489,680 S * 5/2004 Stobart D13/107
D493,769 S * 8/2004 Kessler et al. D13/102

(75) Inventor: **David Fowler**, Portland (GB)

(73) Assignee: **Better Energy Systems, Ltd.**, Dorset (GB)

* cited by examiner

Primary Examiner—Prabhakar Deshmukh

Assistant Examiner—Derrick Holland

(74) *Attorney, Agent, or Firm*—Foley & Lardner LLP

(**) Term: **14 Years**

(21) Appl. No.: **29/283,029**

(57) **CLAIM**

(22) Filed: **Aug. 3, 2007**

The ornamental design for a solar powered charger, as shown and described.

(51) **LOC (9) Cl.** **13-02**

(52) **U.S. Cl.** **D13/102**

(58) **Field of Classification Search** D13/102,
D13/107, 108, 199; 320/101, 102, 107, 108,
320/114, 115, 120

DESCRIPTION

See application file for complete search history.

FIG. 1 is a bottom plan view of a solar powered charger showing my new design;

FIG. 2 is a top plan view thereof;

FIG. 3 is a side elevation view thereof;

FIG. 4 is another side elevation view thereof;

FIG. 5 is a rear elevation view thereof;

FIG. 6 is a front elevation view thereof; and,

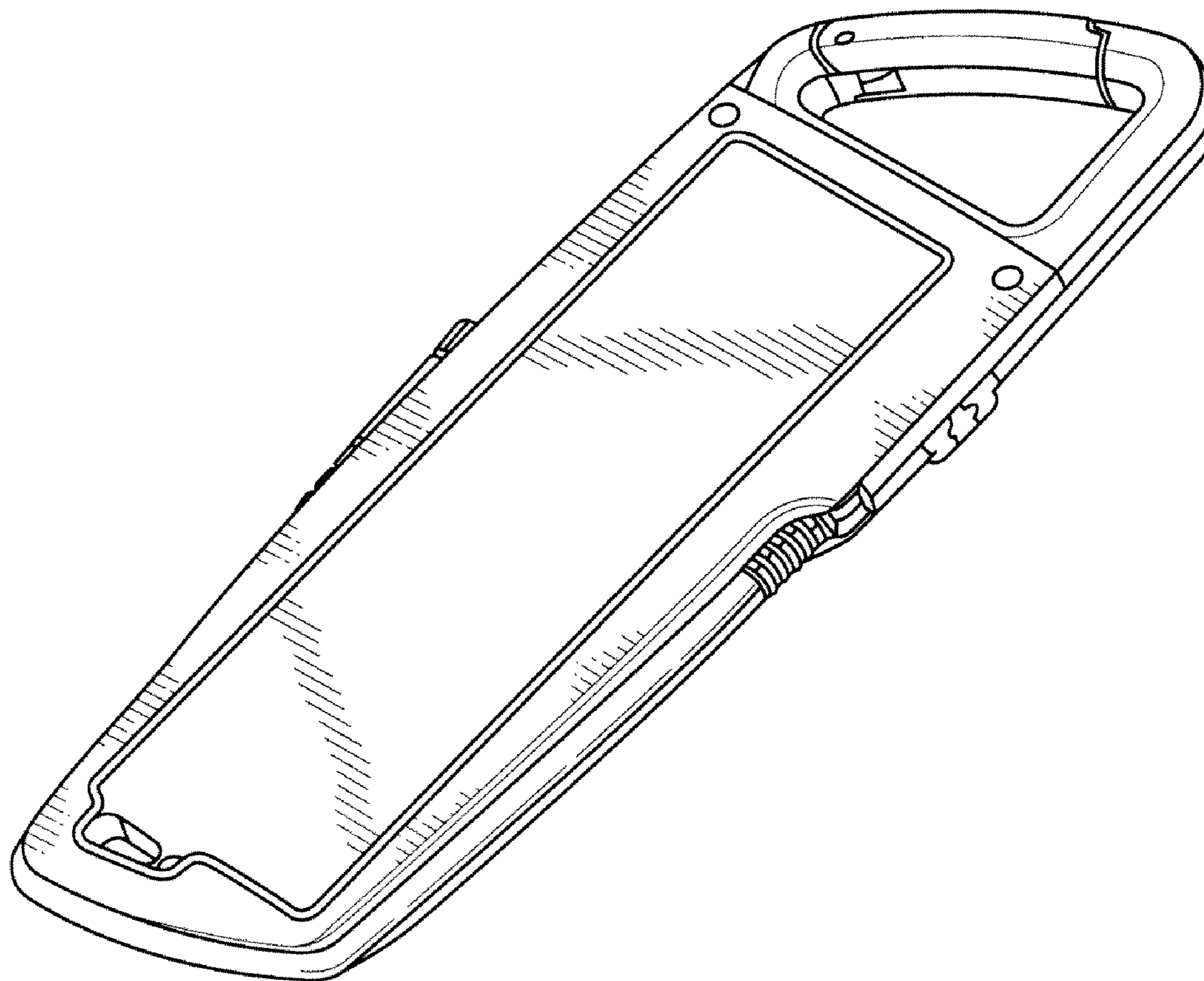
FIG. 7 is a top and side perspective view thereof.

(56) **References Cited**

U.S. PATENT DOCUMENTS

4,786,851 A * 11/1988 Fuji et al. 320/101
5,522,943 A * 6/1996 Spencer et al. 136/245
D382,535 S * 8/1997 Chiang D13/103
D391,921 S * 3/1998 Zimmer et al. D13/102
5,792,279 A * 8/1998 Tsuboi et al. 136/245
D479,191 S * 9/2003 Peress et al. D13/102

1 Claim, 3 Drawing Sheets



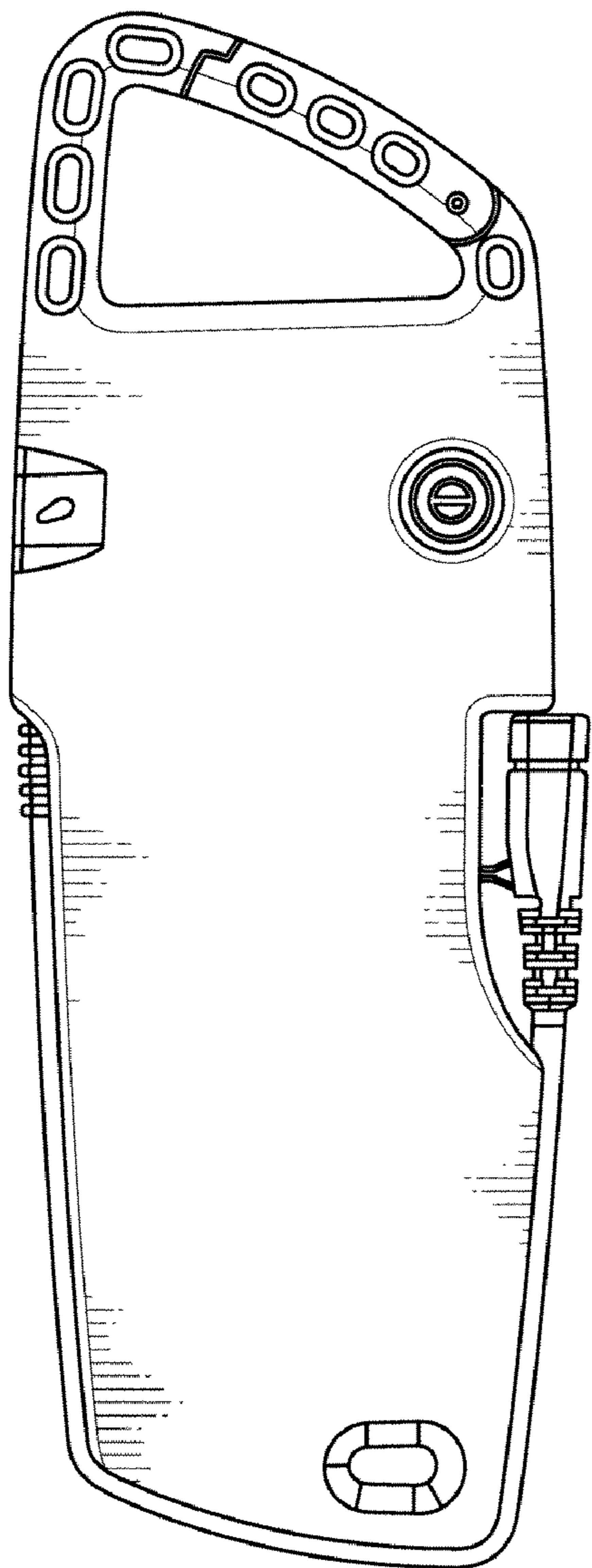


FIG. 1

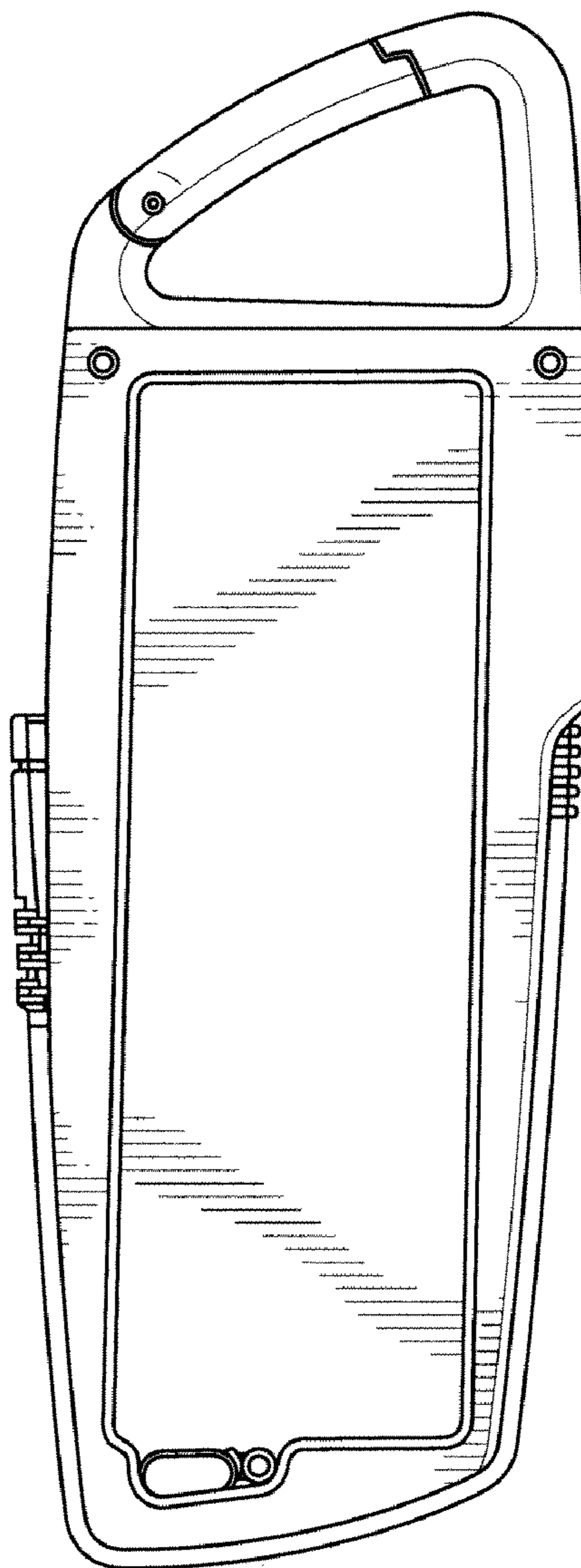


FIG. 2

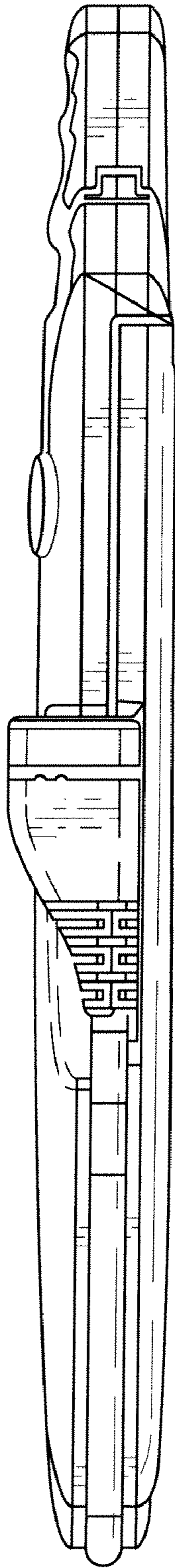


FIG. 3

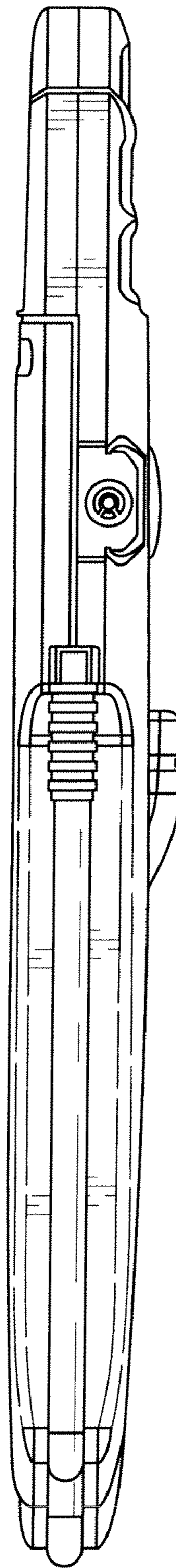


FIG. 4

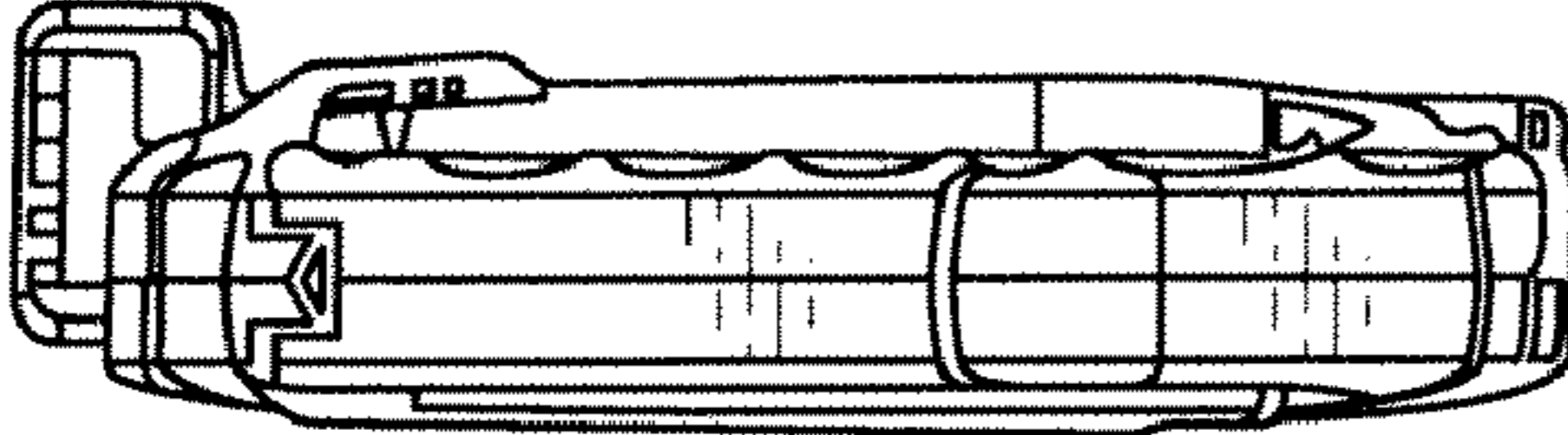


FIG. 5

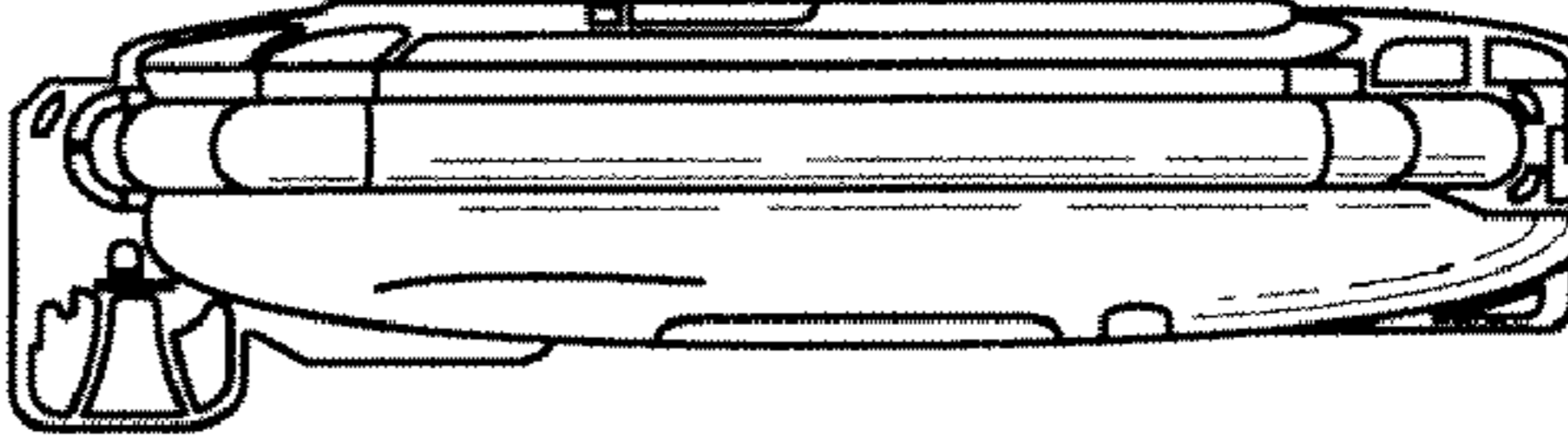


FIG. 6

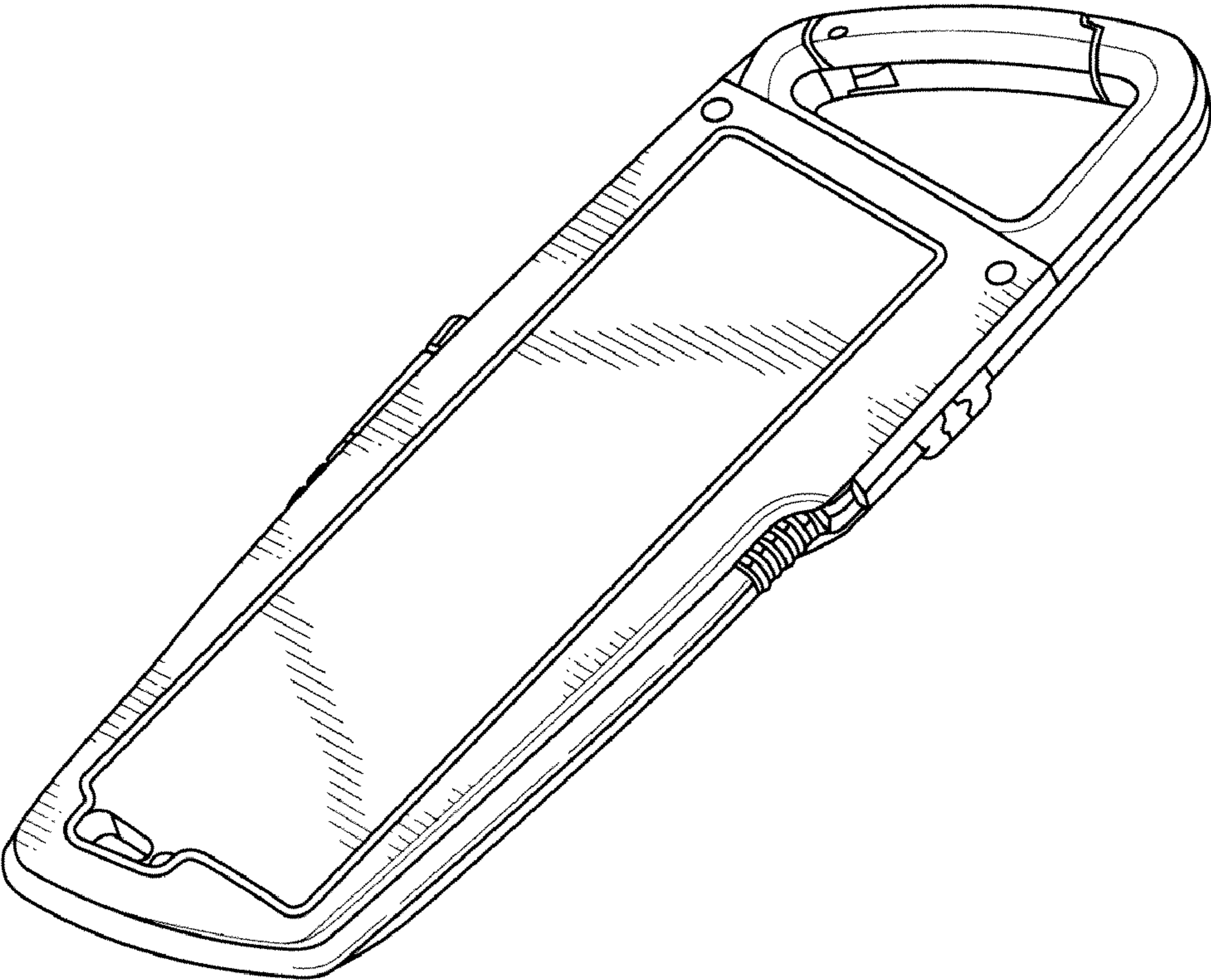


FIG. 7