



US00D586734S

(12) **United States Design Patent**
Bindner et al.

(10) **Patent No.:** **US D586,734 S**

(45) **Date of Patent:** **** Feb. 17, 2009**

(54) **TIRE**

(75) Inventors: **Olivier Francis Bindner**, Yutz (FR);
Sebastien Seibert, Thionville (FR);
William Urbano Villamizar, Mersch
(LU); **Richard Heinen**,
Habay-La-Neuve (BE)

(73) Assignee: **The Goodyear Tire & Rubber
Company**, Akron, OH (US)

(**) Term: **14 Years**

(21) Appl. No.: **29/320,659**

(22) Filed: **Jul. 1, 2008**

(51) **LOC (9) Cl.** **12-15**

(52) **U.S. Cl.** **D12/590**

(58) **Field of Classification Search** D12/551-556,
D12/583-591, 900-901, 600, 568; 152/209.1,
152/209.8-209.18, 209.25-209.28

See application file for complete search history.

(56) **References Cited**

U.S. PATENT DOCUMENTS

D384,604 S	*	10/1997	Ohya	D12/590
D385,236 S	*	10/1997	Taguchi	D12/590
D395,859 S	*	7/1998	Tsukagoshi	D12/590
D405,034 S	*	2/1999	Takada	D12/590
D426,499 S	*	6/2000	Graas	D12/590
D429,477 S	*	8/2000	Williams	D12/590
D458,582 S	*	6/2002	Rodicq et al.	D12/586
D458,583 S	*	6/2002	Villamizar	D12/590
D477,565 S	*	7/2003	Terver et al.	D12/590
D488,771 S	*	4/2004	Villamizar	D12/590
D490,045 S	*	5/2004	Delu et al.	D12/519
D490,047 S	*	5/2004	Heinen et al.	D12/524
D490,048 S	*	5/2004	Heinen et al.	D12/524
D500,287 S	*	12/2004	Gojo	D12/586
D513,402 S	*	1/2006	Shirouzu	D12/590

D522,422 S	6/2006	Shirouzu	D12/515
D524,231 S	7/2006	Marazzi et al.	D12/521
D524,232 S	7/2006	Heinen et al.	D12/521
D524,233 S	7/2006	Marazzi et al.	D12/521
D531,116 S	10/2006	Heinen et al.	D12/590

* cited by examiner

Primary Examiner—Stacia Cadmus

(74) *Attorney, Agent, or Firm*—Richard B. O’Planick

(57) **CLAIM**

The ornamental design for a tire, as shown and described.

DESCRIPTION

FIG. 1 is a perspective view of a tire showing our new design, it being understood that the pattern repeats uniformly throughout the circumference of the tread;

FIG. 2 is a front elevational view thereof;

FIG. 3 is a right side elevational view thereof; the opposite side elevational view being identical thereto;

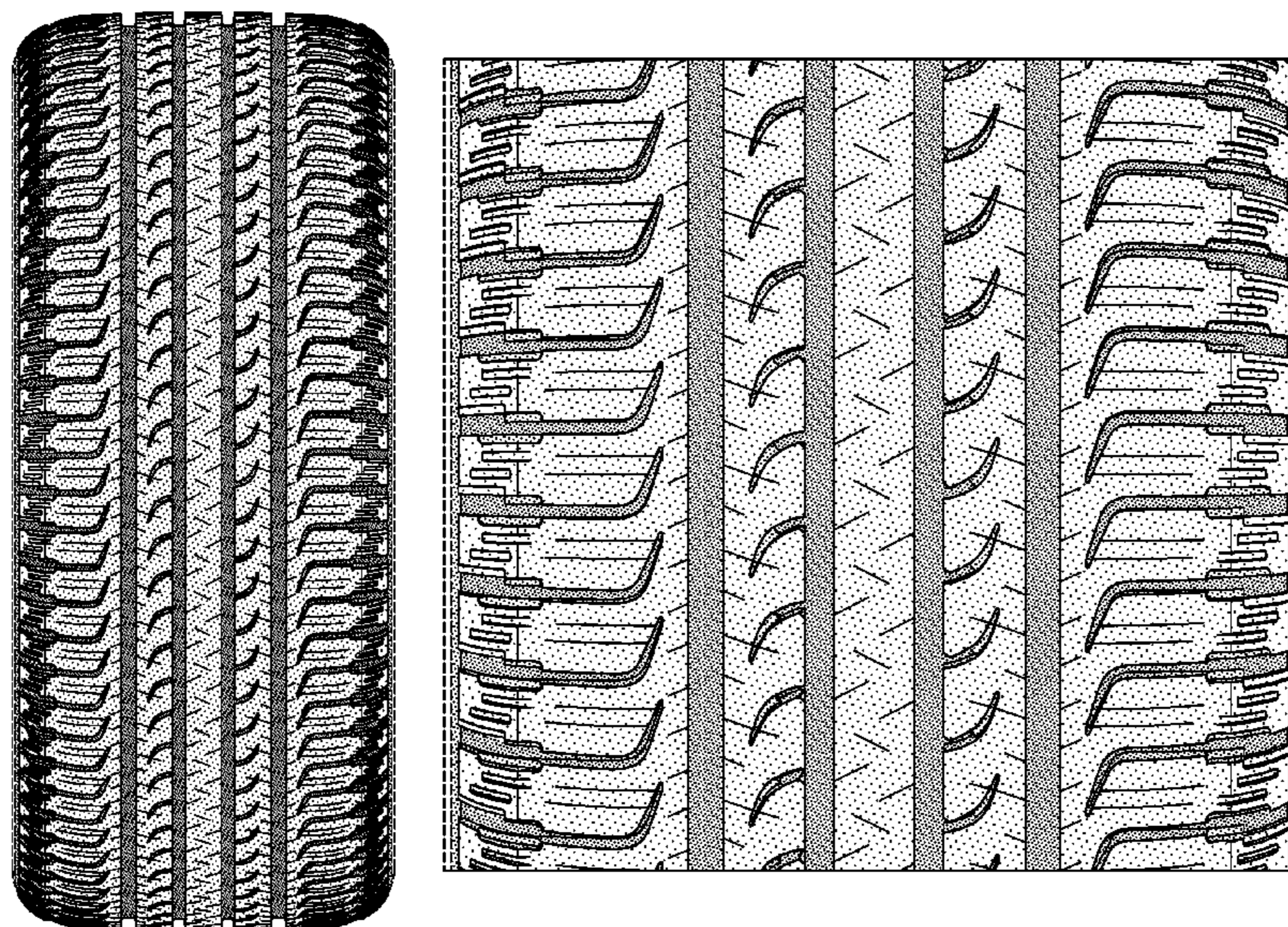
FIG. 4 is an enlarged fragmentary front elevational view thereof;

FIG. 5 is a perspective view of a second embodiment of a tire showing our new design, it being understood that the pattern repeats uniformly throughout the circumference of the tread and that the opposite side perspective view is identical thereto; and,

FIG. 6 is a front elevational view of a second embodiment, it being understood that an enlarged fragmentary view thereof would be substantially identical to that shown in FIG. 4, with the exception of the inclusion of the sidewall in solid lines.

In the drawings the broken lines defining the sidewall, inner bead and the peripheral boundary between the tire tread and the sidewall in FIGS. 1 through 4 are for illustrative purposes only and form no part of the claimed design.

1 Claim, 6 Drawing Sheets



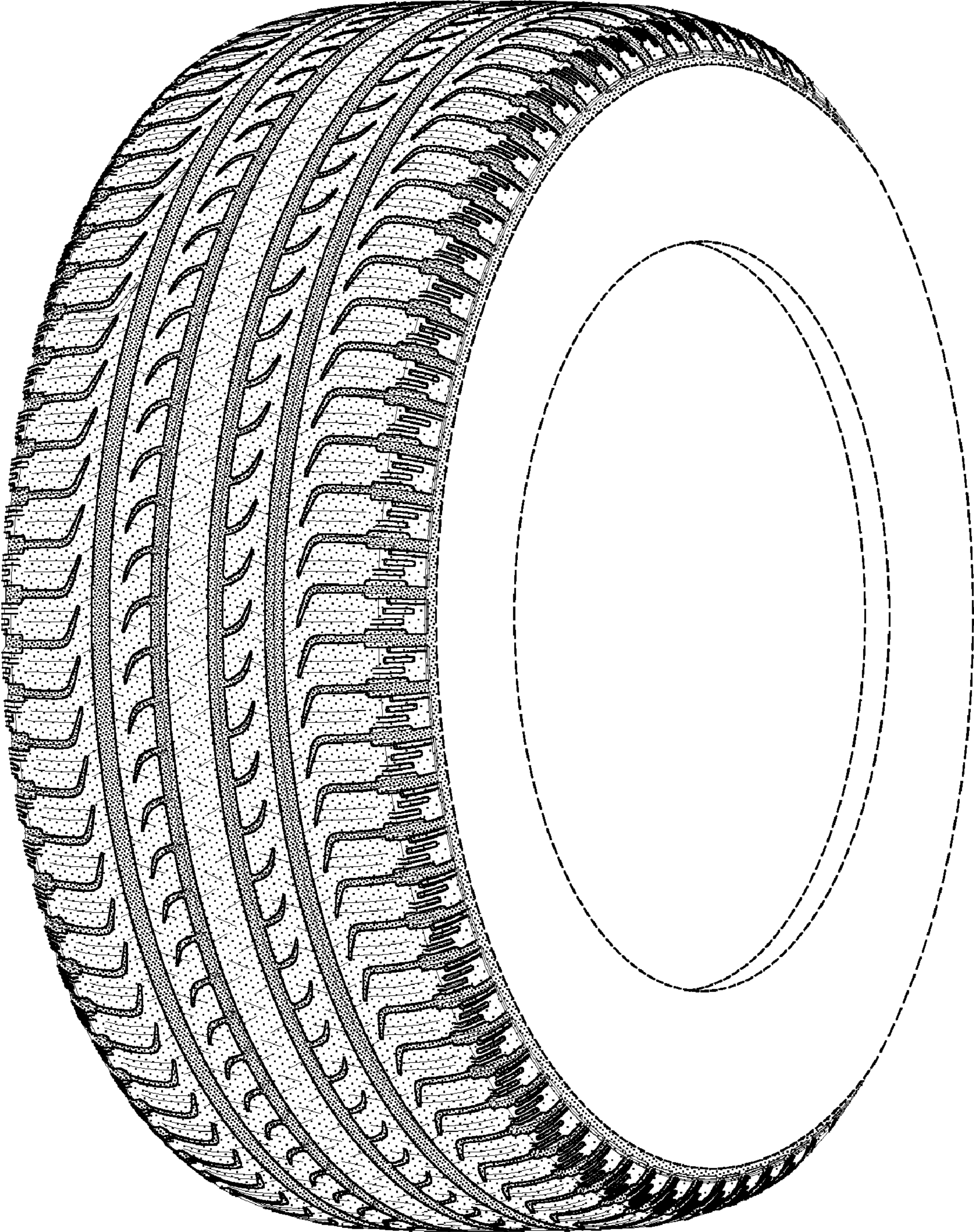


FIG-1

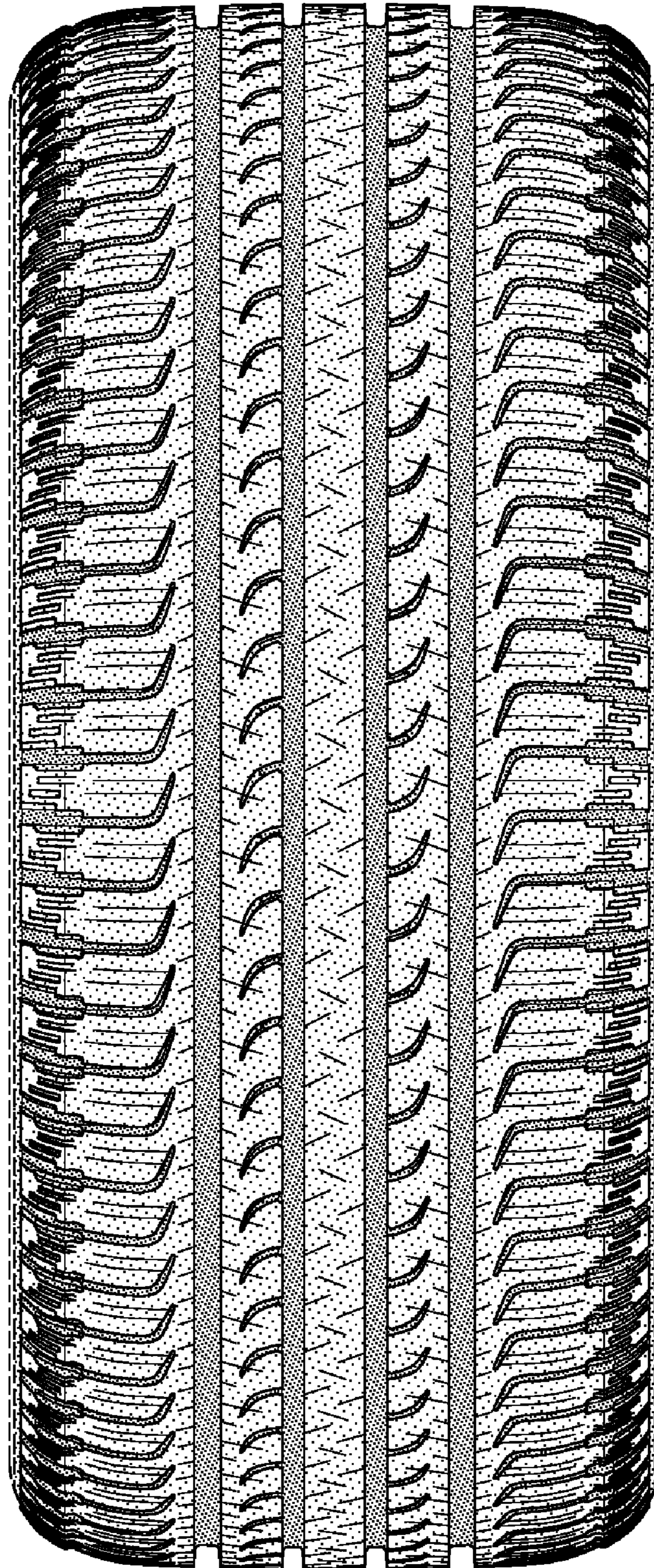


FIG-2

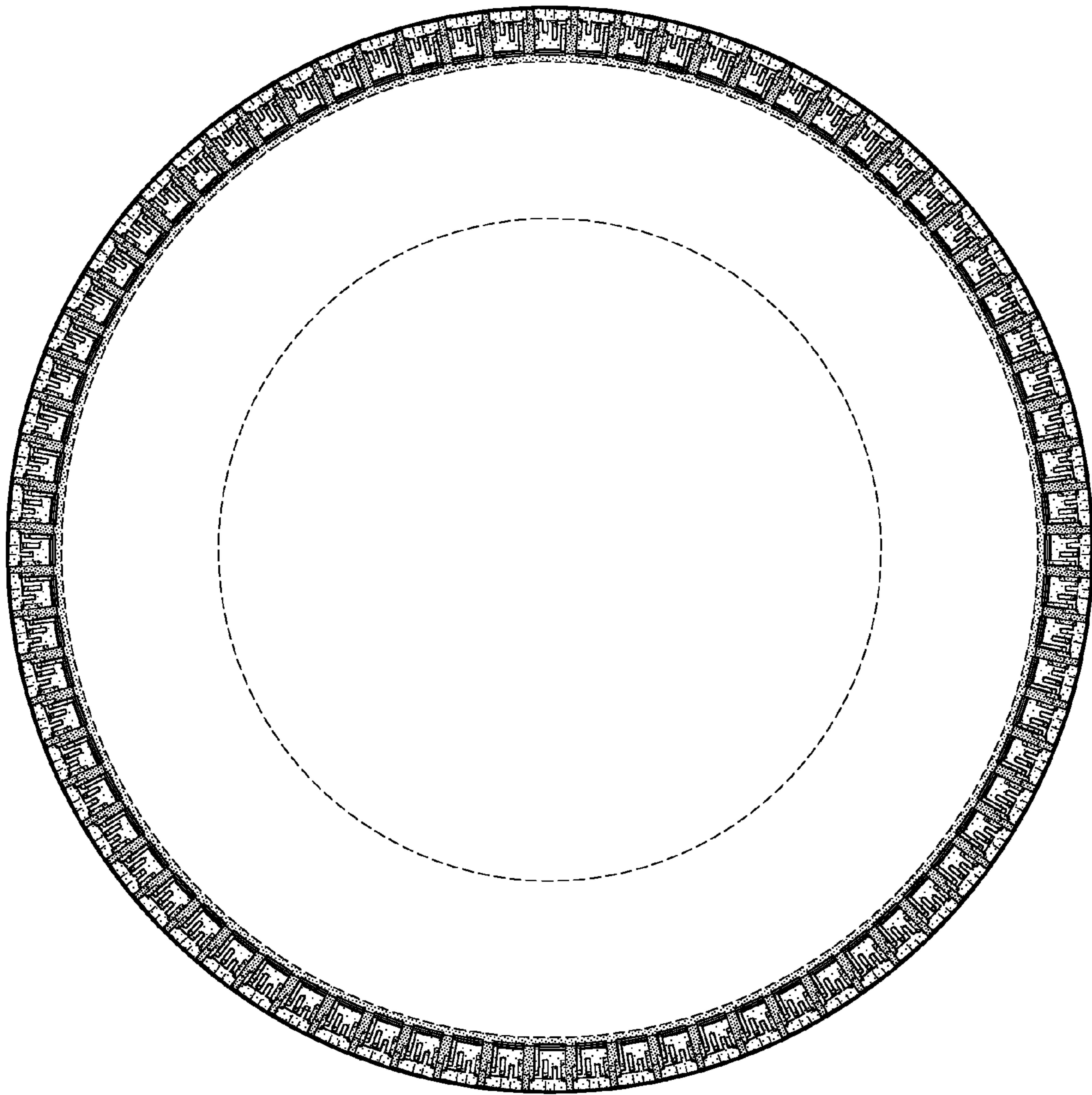


FIG-3

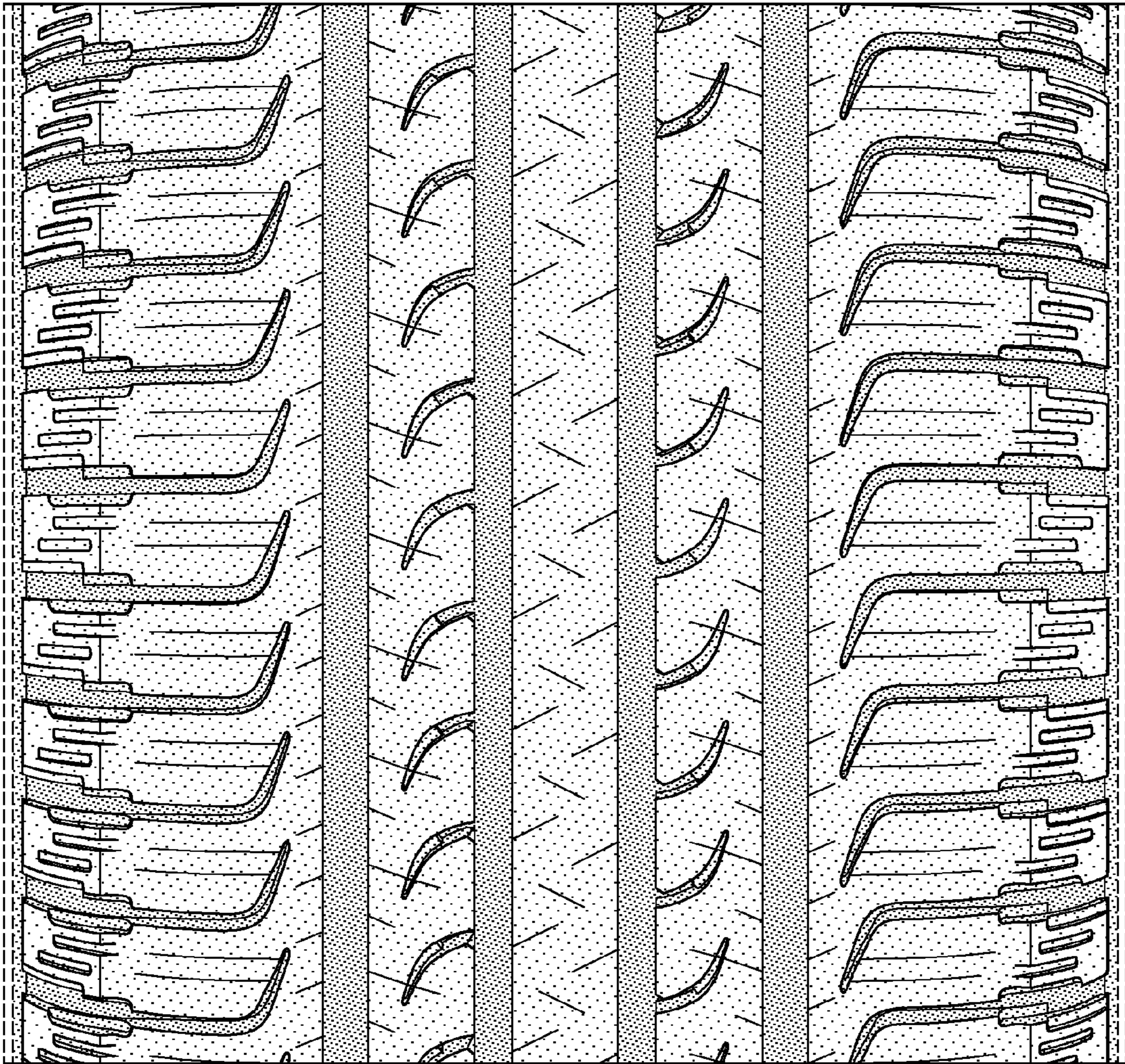


FIG-4

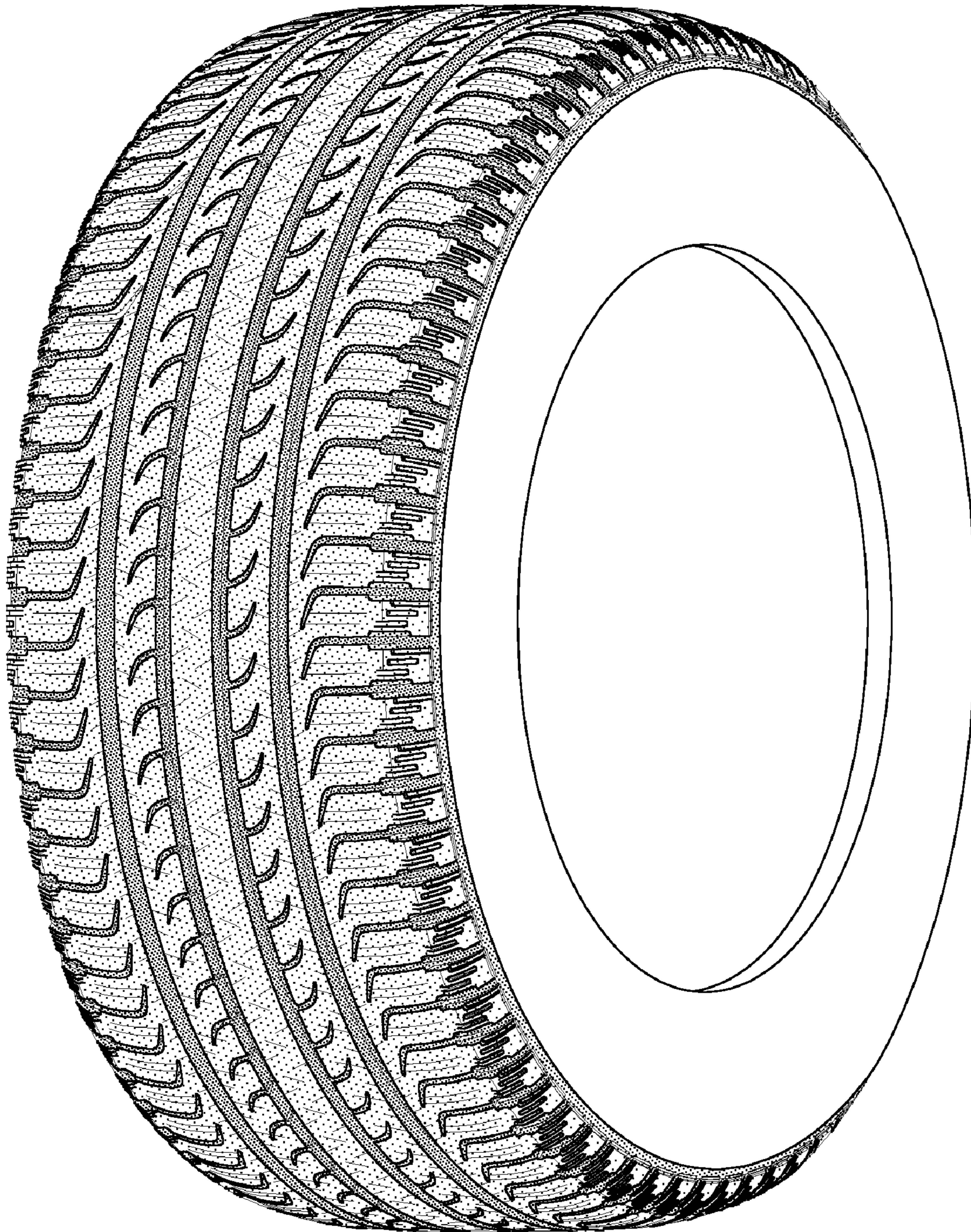


FIG-5

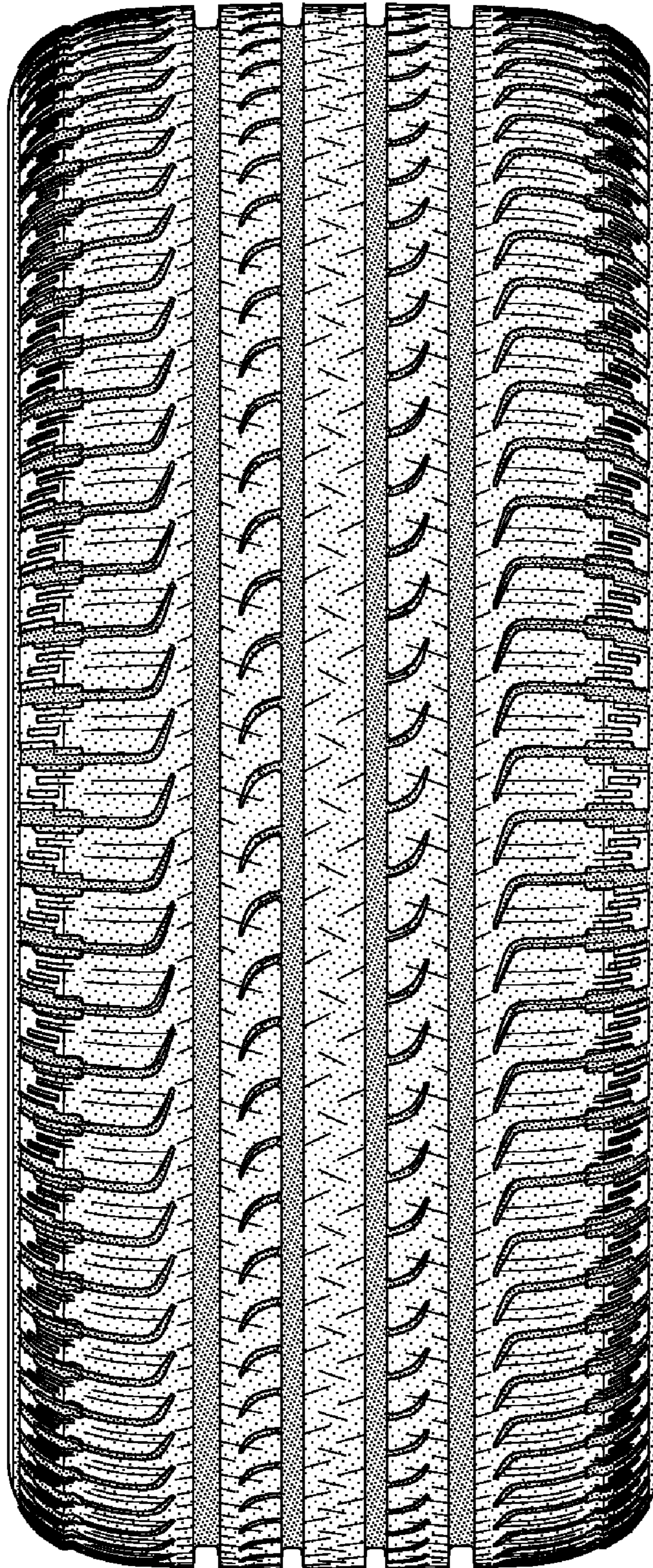


FIG-6