



US00D586730S

(12) **United States Design Patent**
Scheuren et al.

(10) **Patent No.:** **US D586,730 S**

(45) **Date of Patent:** **** *Feb. 17, 2009**

(54) **TIRE**
(75) Inventors: **Daniel Scheuren**, Arlon (BE); **Samuel Blanc**, Luxembourg (LU); **Herve Marcel Henri Beauguitte**, Colmar-Berg (LU); **Patrick Michel Philippe Demaret**, Nothum (LU)

D517,468 S 3/2006 Le et al. D12/566
D517,471 S 3/2006 Robert D12/600
D517,978 S 3/2006 Robert D12/600
D528,500 S 9/2006 Le et al. D12/600
D533,498 S 12/2006 Scheuren et al. D12/588
D534,858 S * 1/2007 Le et al. D12/553
D554,055 S * 10/2007 Beauguitte et al. D12/600
D555,078 S * 11/2007 Radulescu et al. D12/553

(73) Assignee: **The Goodyear Tire & Rubber Company**, Akron, OH (US)

* cited by examiner

(*) Notice: This patent is subject to a terminal disclaimer.

Primary Examiner—Stacia Cadmus

(74) *Attorney, Agent, or Firm*—Richard B. O’Planick

(**) Term: **14 Years**

(57) **CLAIM**

The ornamental design for a tire, as shown and described.

(21) Appl. No.: **29/288,588**

DESCRIPTION

(22) Filed: **Jun. 15, 2007**

FIG. 1 is a perspective view of a tire showing our new design, it being understood that the pattern repeats uniformly throughout the circumference of the tread;

(51) **LOC (9) Cl.** **12-15**

(52) **U.S. Cl.** **D12/553; D12/901**

(58) **Field of Classification Search** D12/534,
D12/537, 551–556, 586–591, 900–901, 600;
152/209.1, 209.8–209.18, 209.25–209.28,
152/455

FIG. 2 is a front elevational view thereof;

FIG. 3 is a right side elevational view thereof; the opposite side elevational view being identical thereto;

See application file for complete search history.

FIG. 4 is an enlarged fragmentary front elevational view thereof;

(56) **References Cited**

U.S. PATENT DOCUMENTS

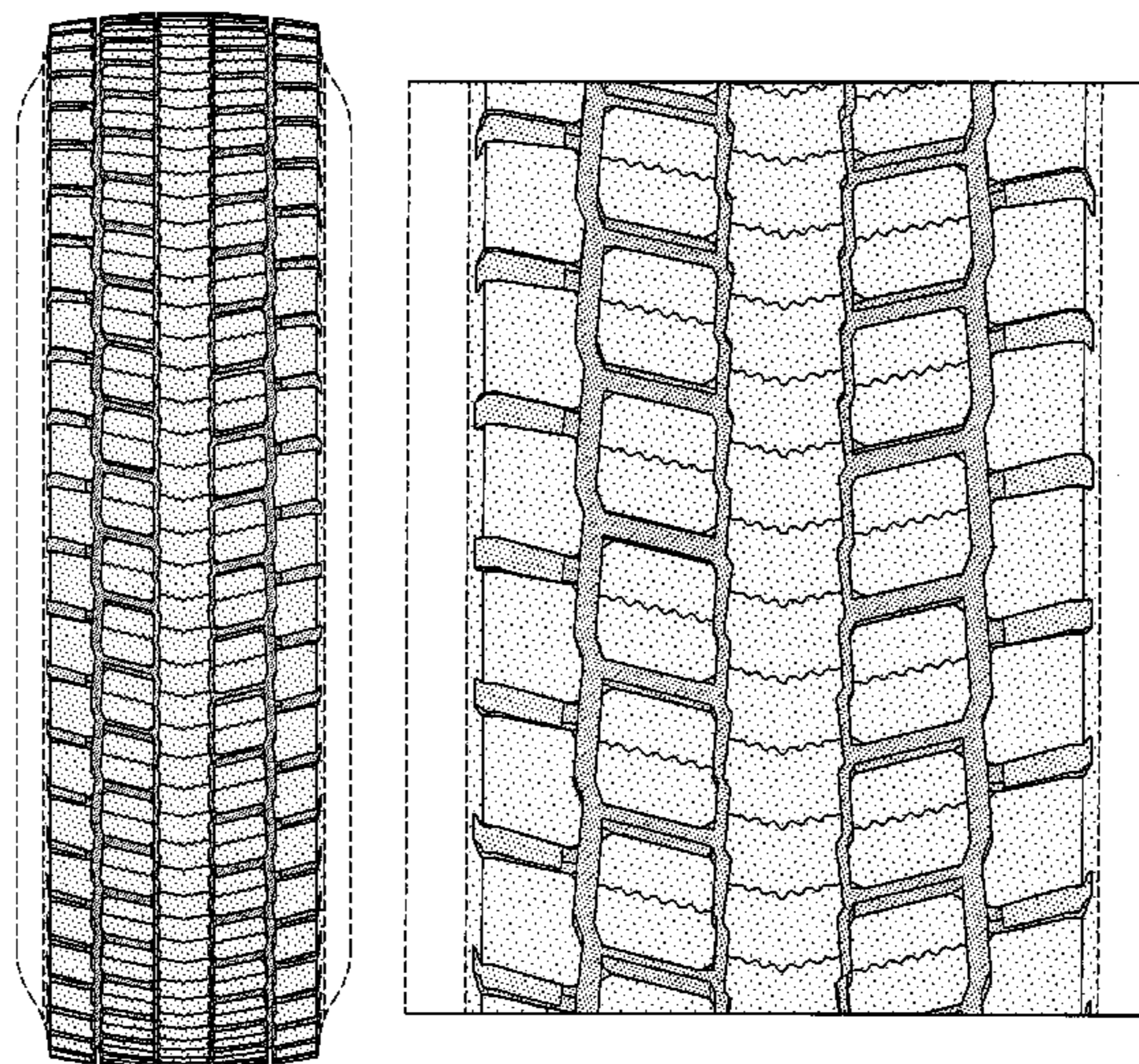
D383,712 S * 9/1997 Scheuren et al. D12/588
D410,420 S 6/1999 de Barsy D12/147
D411,491 S 6/1999 Harden, Jr. et al. D12/148
D448,709 S * 10/2001 Le D12/600
D449,022 S 10/2001 Cazin-Bourguignon et al. . D12/
147
D452,199 S 12/2001 Robert et al. D12/146
D473,843 S * 4/2003 Le et al. D12/600
D497,875 S * 11/2004 Le et al. D12/594
D500,288 S 12/2004 Maziarka et al. D12/601
D506,722 S * 6/2005 Nonaka D12/553
D511,741 S 11/2005 Cazin-Bourguignon et al. . D12/
601

FIG. 5 is a perspective view of an alternative embodiment of a tire showing our new design, it being understood that the pattern repeats uniformly throughout the circumference of the tread and that the opposite side perspective view is identical thereto; and,

FIG. 6 is a front elevational view of an alternate embodiment, it being understood that an enlarged fragmentary view thereof would be substantially identical to that shown in FIG. 4, with the exception of the inclusion of the sidewall in solid lines.

In the drawings, the broken lines defining the sidewall, inner bead and the peripheral boundary between the claimed tire tread and the unclaimed sidewall depict environmental subject matter that forms no part of the claimed design.

1 Claim, 6 Drawing Sheets



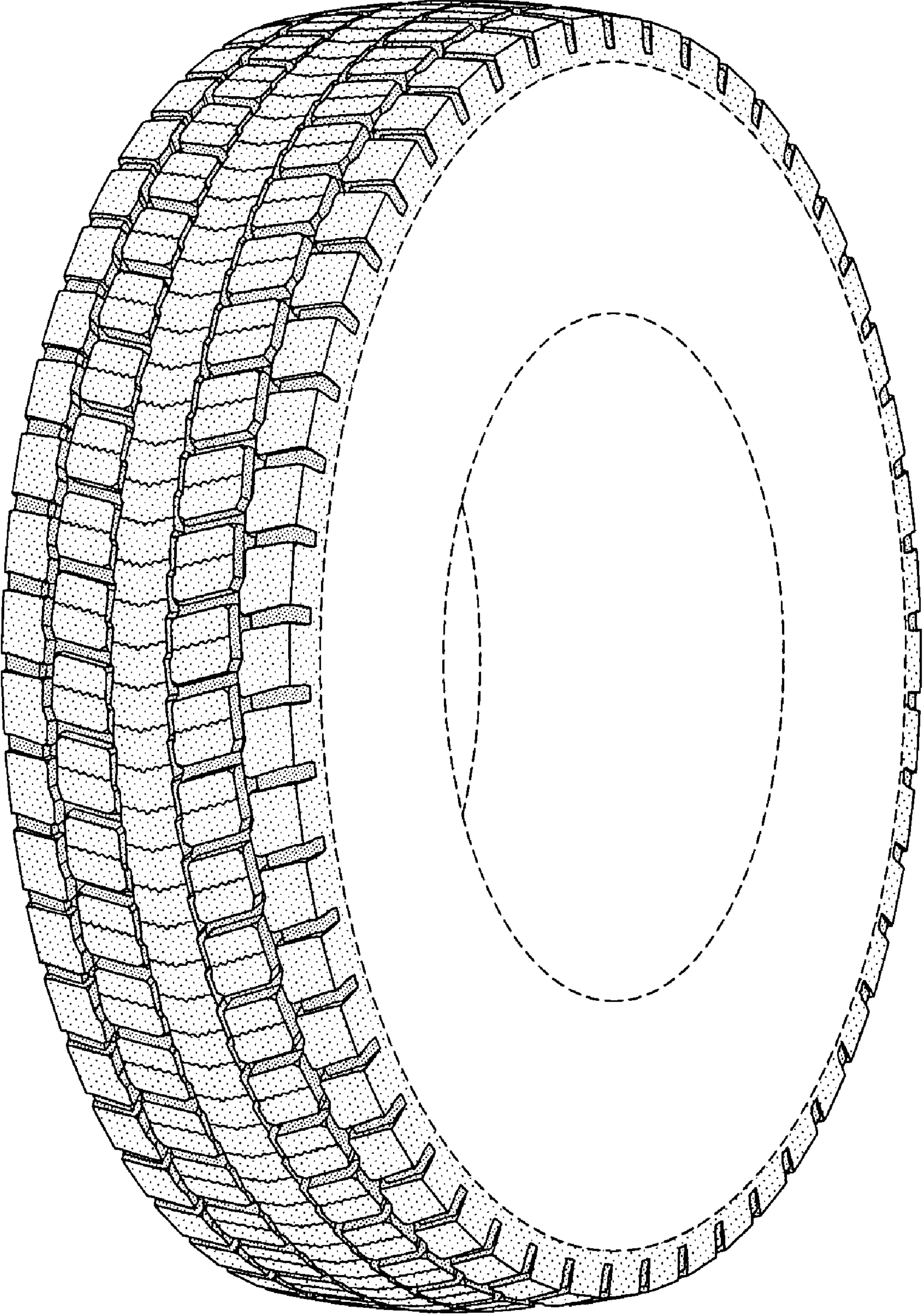


FIG-1

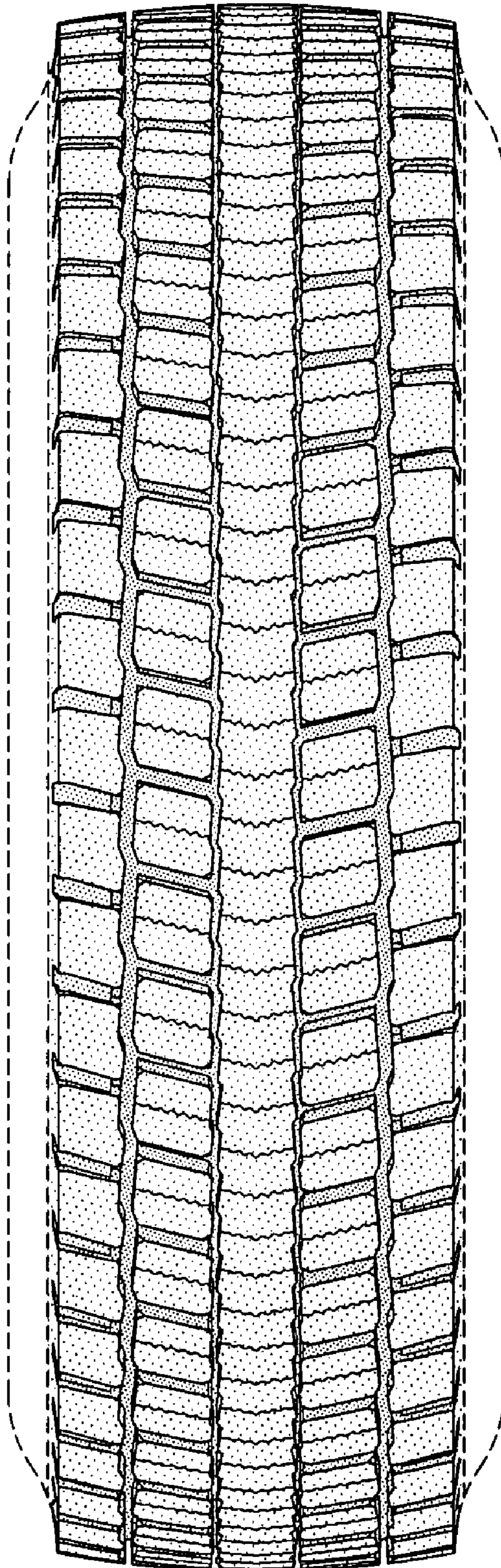


FIG-2

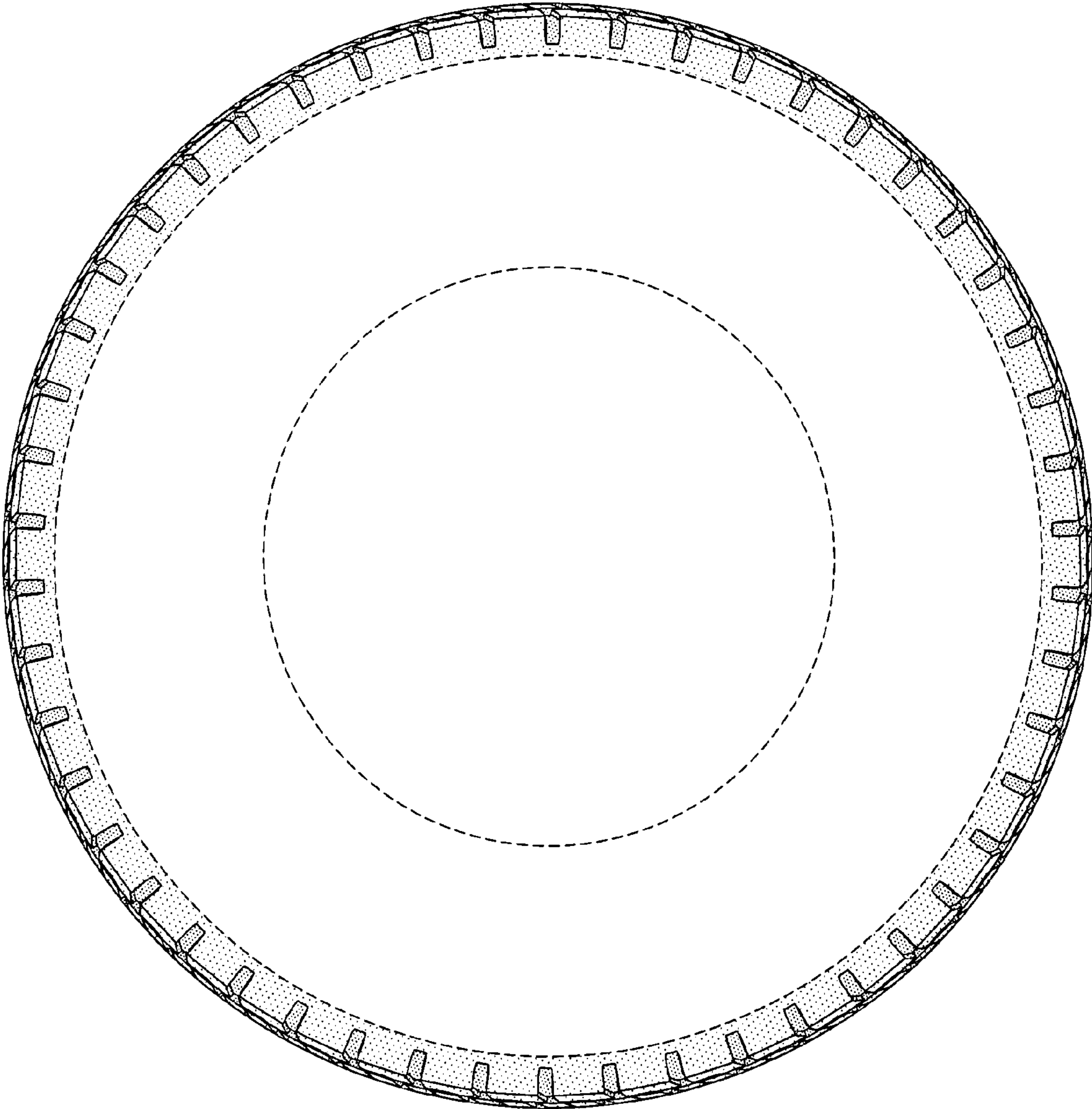


FIG-3

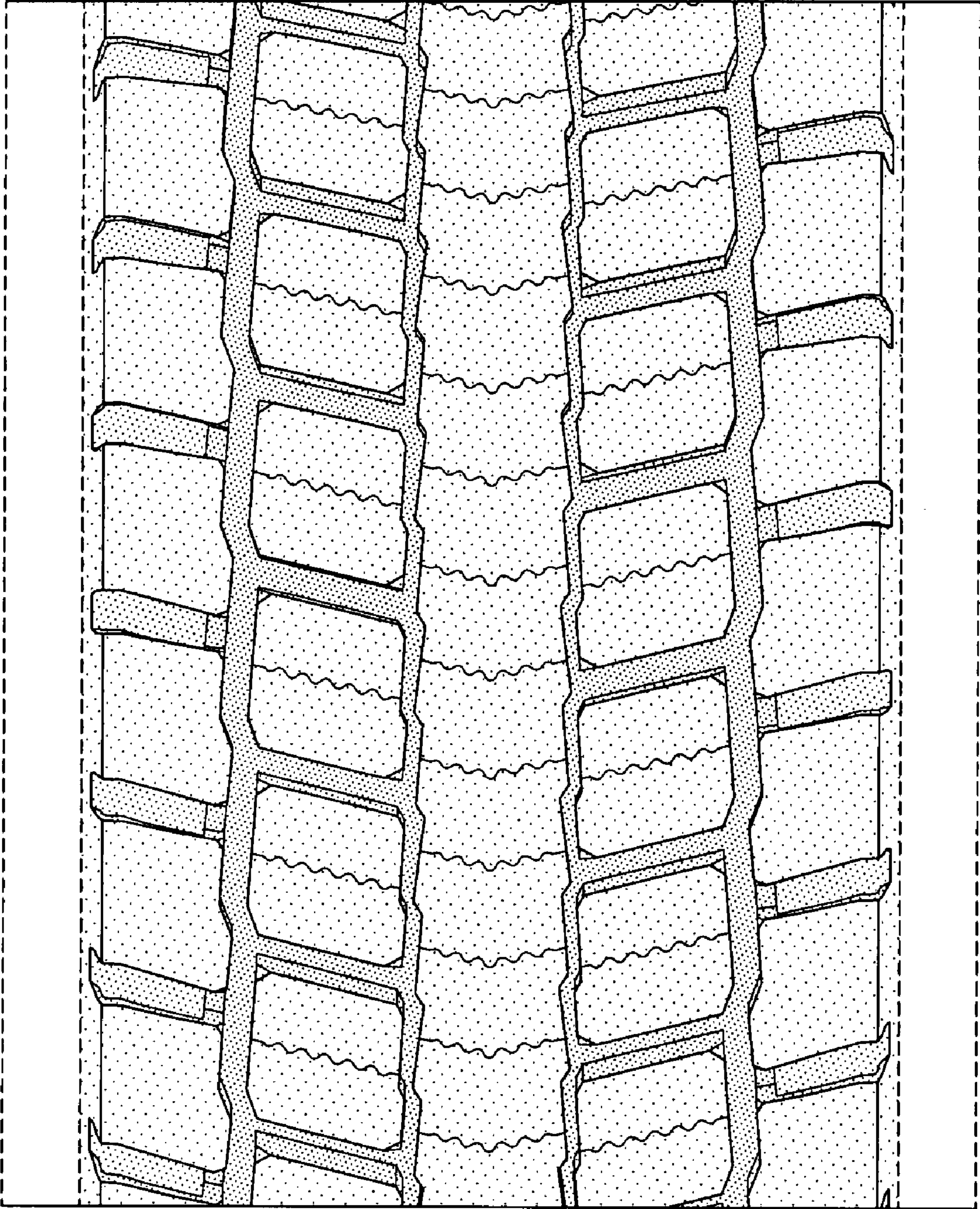


FIG-4

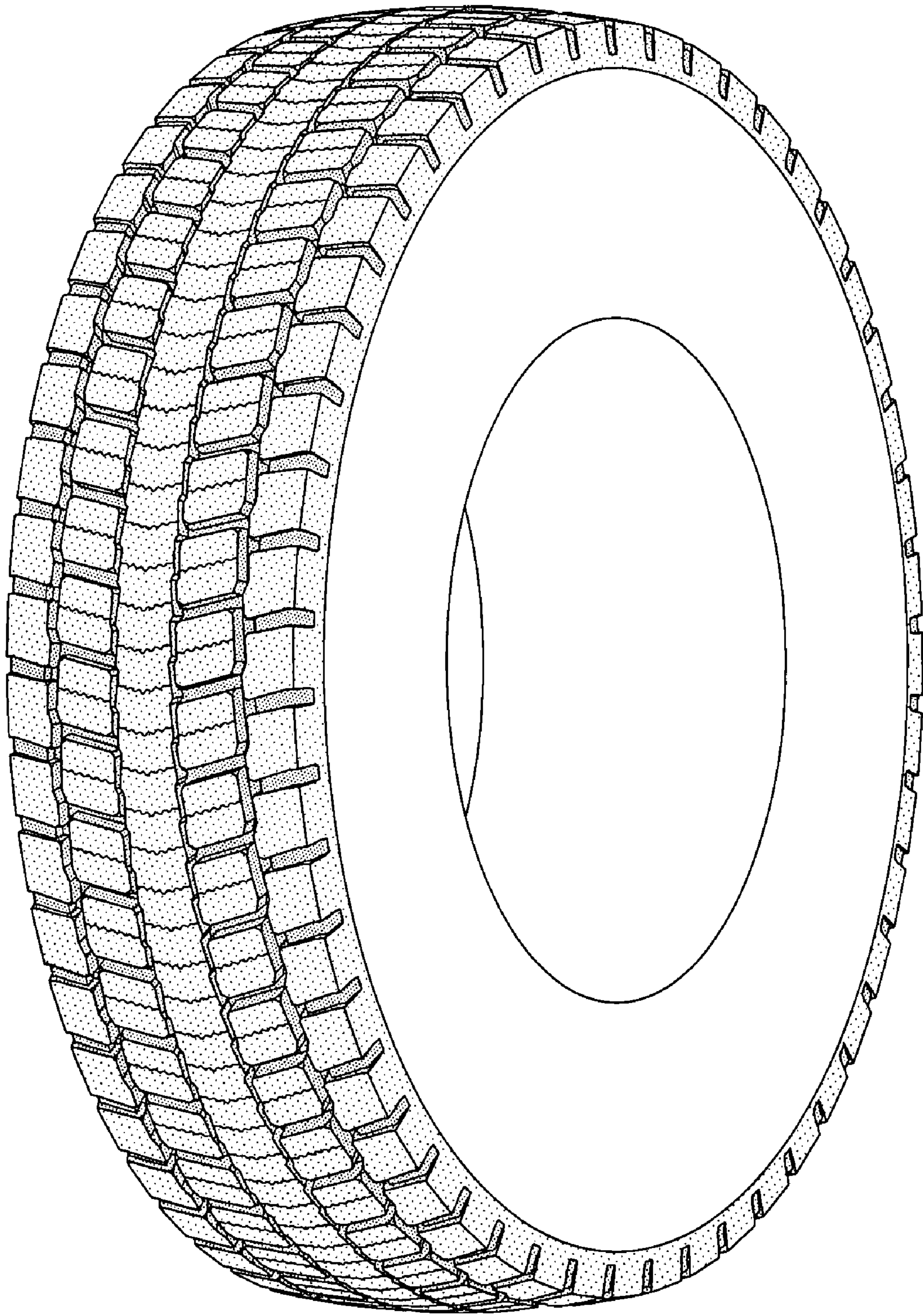


FIG-5

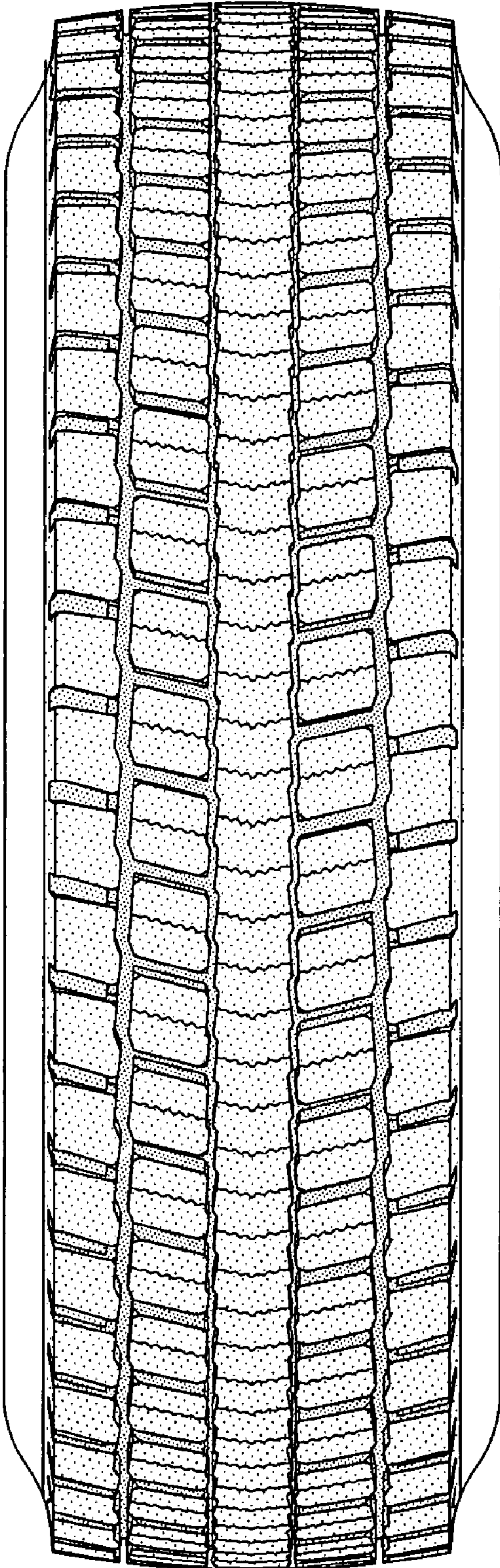


FIG-6