



US00D586728S

(12) **United States Design Patent**
Heinen et al.

(10) **Patent No.:** **US D586,728 S**
(45) **Date of Patent:** **** Feb. 17, 2009**

(54) **TIRE**
(75) Inventors: **Richard Heinen**, Habay-La-Neuve (BE); **William Urbano Villamizar**, Mersch (LU); **Frederic Michel-Jean Pons**, Guenange (FR); **Olivier Francis Bindner**, Yutz (FR)

D504,106 S 4/2005 de Briey-Terlinden et al. D12/553
D504,387 S * 4/2005 Welbes et al. D12/549
D504,866 S 5/2005 Collette et al. D12/553
D505,112 S 5/2005 Heinen et al. D12/567
D533,131 S 12/2006 Fontaine et al. D12/588
D548,677 S 8/2007 Welbes et al. D12/553
D571,285 S * 6/2008 Ochi D12/549

(73) Assignee: **The Goodyear Tire & Rubber Company**, Akron, OH (US)

* cited by examiner

(**) Term: **14 Years**

Primary Examiner—Stacia Cadmus

(21) Appl. No.: **29/324,010**

(74) *Attorney, Agent, or Firm*—Richard B. O’Planick

(22) Filed: **Sep. 4, 2008**

(57) **CLAIM**

The ornamental design for a tire, as shown and described.

(51) **LOC (9) Cl.** **12-15**
(52) **U.S. Cl.** **D12/547; D12/549**
(58) **Field of Classification Search** D12/533,
D12/544, 546–550, 559–567, 600–601, 900–901;
152/209.1, 209.8–209.18, 209.25–209.28,
152/455

DESCRIPTION

See application file for complete search history.

FIG. 1 is a perspective view of a tire showing our new design, it being understood that the pattern repeats uniformly throughout the circumference of the tread;

FIG. 2 is a front elevational view thereof;

FIG. 3 is a right side elevational view thereof; the other side being a mirror image thereof;

FIG. 4 is an enlarged fragmentary front elevational view thereof;

FIG. 5 is a perspective view of a second embodiment of a tire showing our new design, it being understood that the pattern repeats uniformly throughout the circumference of the tread and that the opposite side perspective view is a mirror image thereof; and,

FIG. 6 is a front elevational view of a second embodiment, it being understood that an enlarged fragmentary view thereof would be substantially identical to that shown in FIG. 4, with the exception of the inclusion of the sidewall in solid lines.

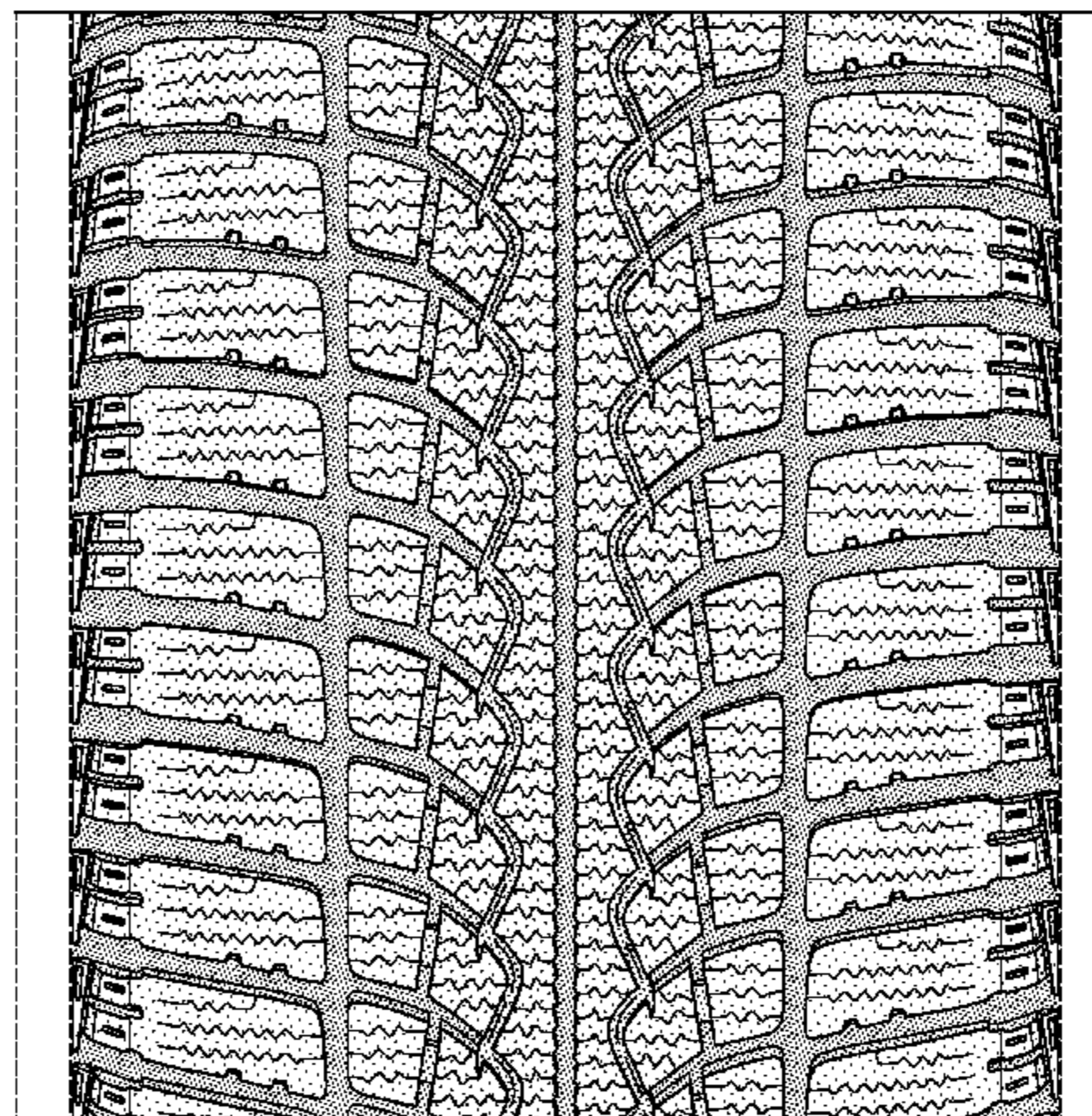
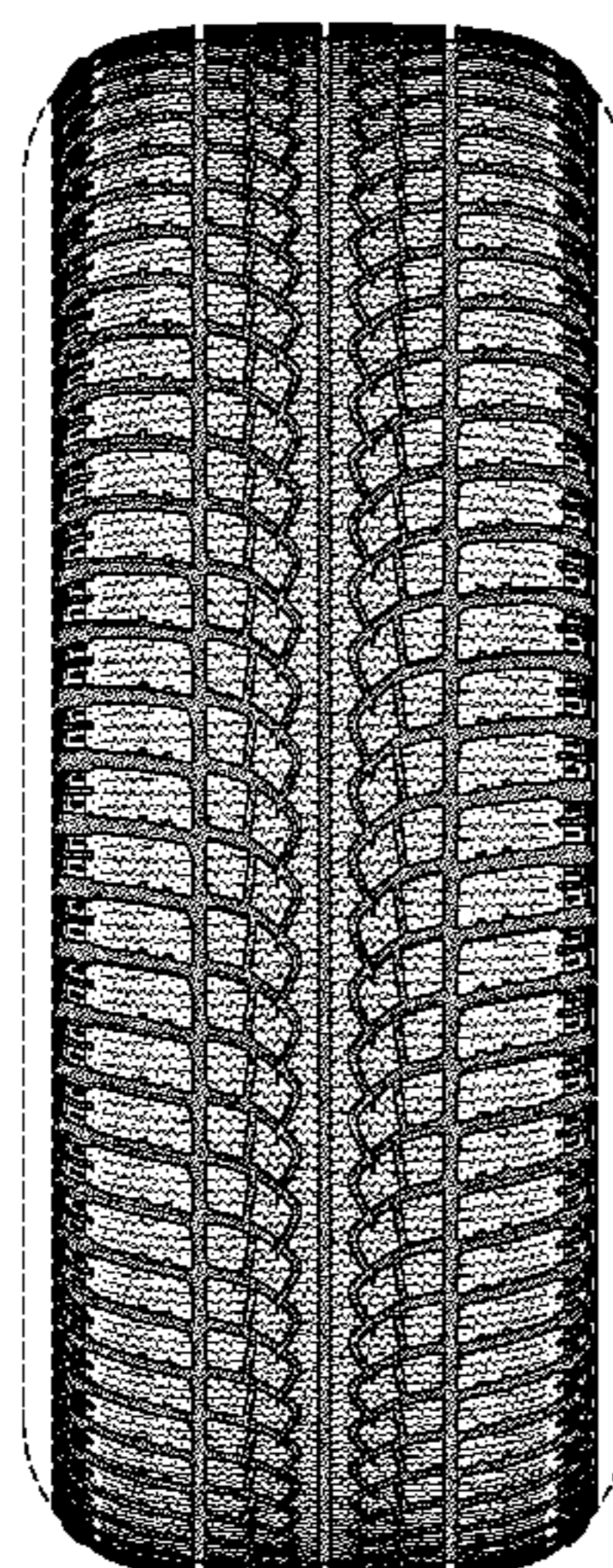
In the drawings, the broken line showing of the sidewall, inner bead and the peripheral boundary between the tire tread and the sidewall in FIGS. 1 through 4 depict environmental subject matter and form no part of the claim.

(56) **References Cited**

U.S. PATENT DOCUMENTS

D361,966 S	9/1995	Graas et al.	D12/146
D362,420 S	9/1995	Heinen et al.	D12/147
D379,448 S	5/1997	Graas et al.	D12/147
D379,449 S	5/1997	Graas et al.	D12/151
D379,787 S	6/1997	Maxwell et al.	D12/147
D429,194 S	8/2000	Heinen et al.	D12/147
D429,478 S	8/2000	Heinen et al.	D12/147
D431,800 S	10/2000	Heinen et al.	D12/147
D441,328 S	5/2001	Heinen et al.	D12/146
D451,068 S	11/2001	Heinen et al.	D12/547
D451,856 S	12/2001	Graas	D12/147
D451,868 S	12/2001	Graas et al.	D12/147
D452,198 S	12/2001	Heinen et al.	D12/146
D453,718 S *	2/2002	Traulle	D12/547
D455,116 S	4/2002	Graas et al.	D12/553
D472,873 S *	4/2003	Douce	D12/560
D482,322 S *	11/2003	Hiroko	D12/584

1 Claim, 6 Drawing Sheets



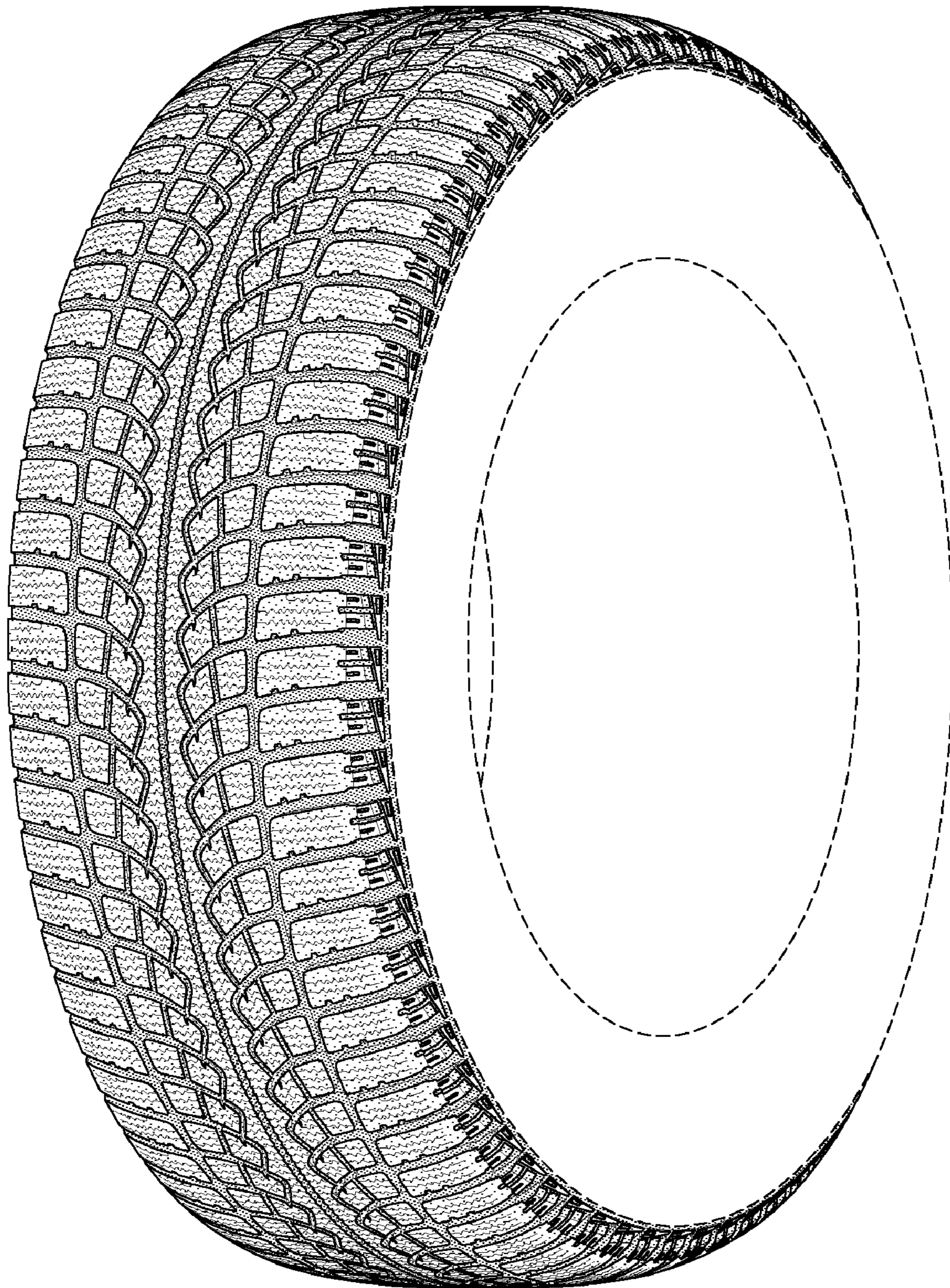


FIG-1

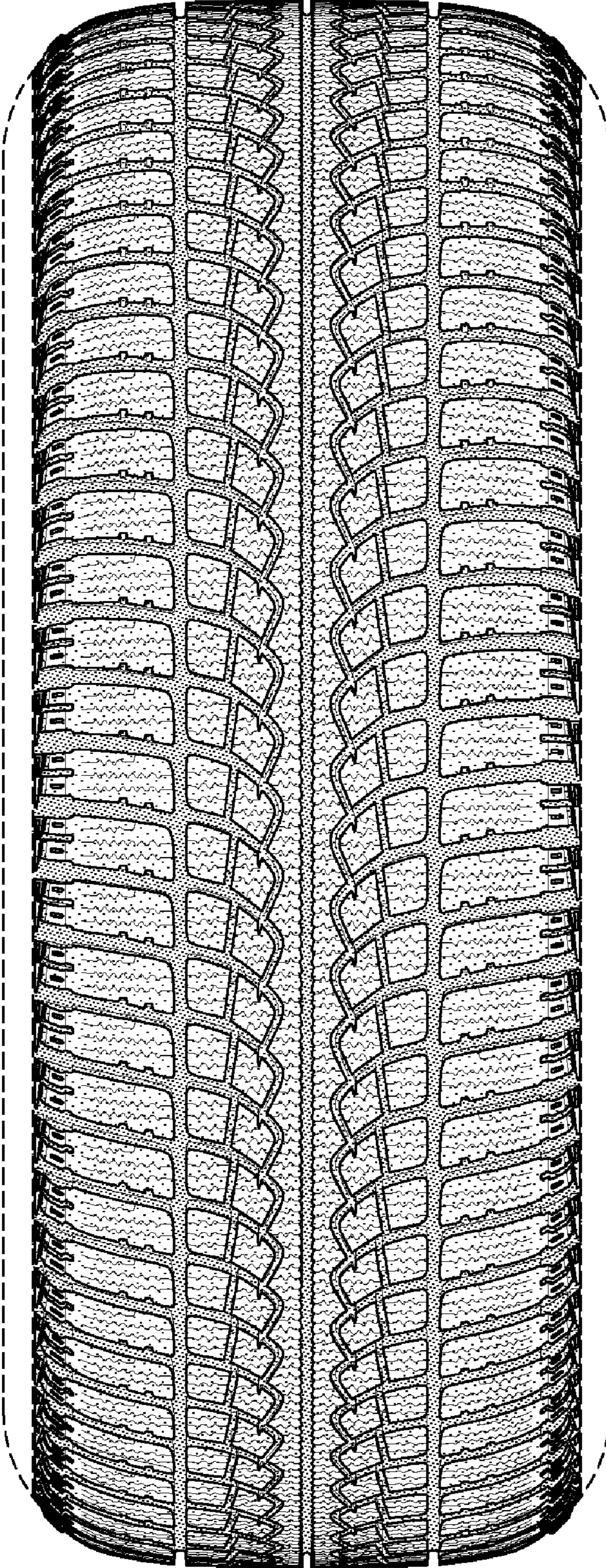


FIG-2

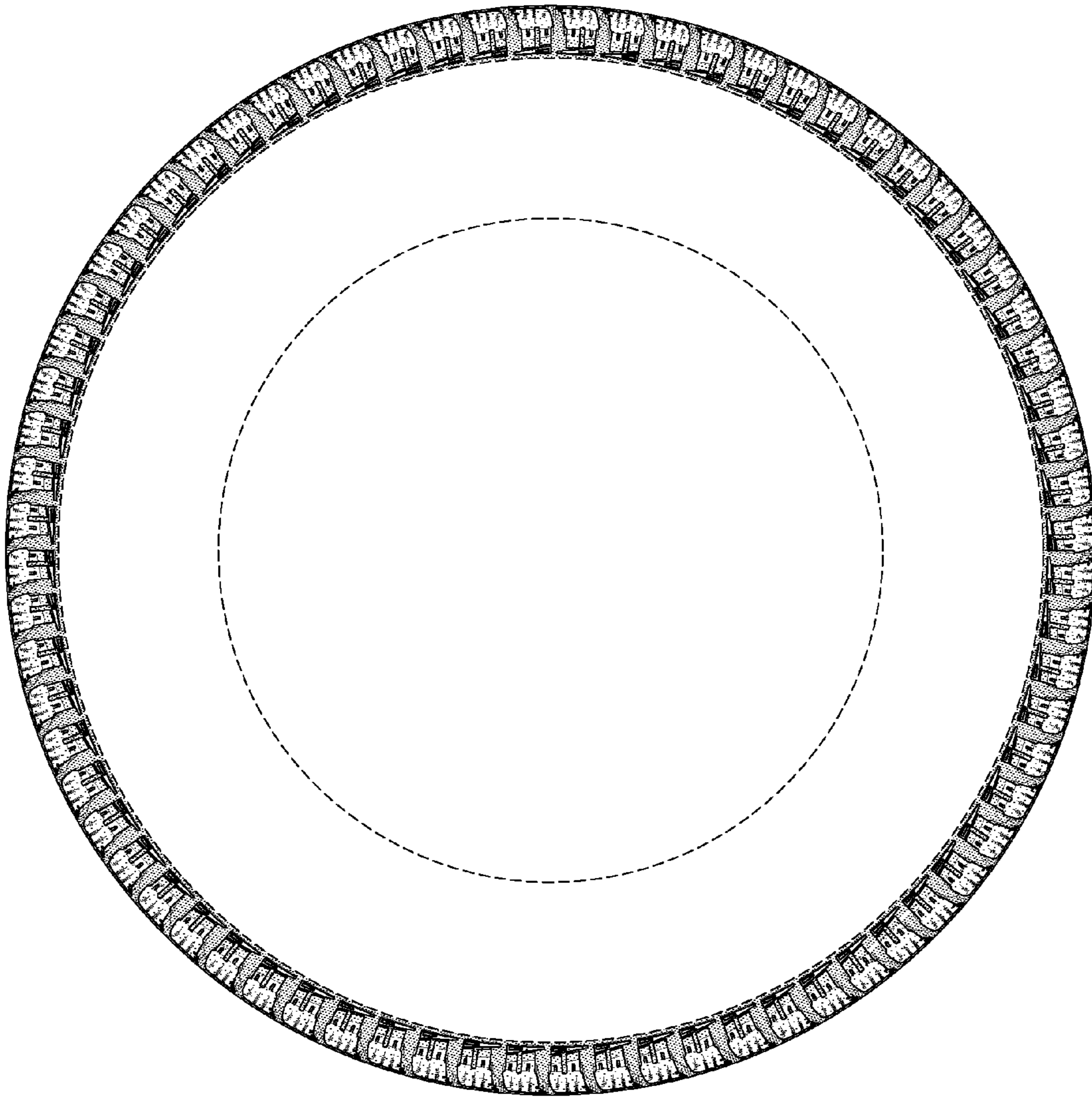


FIG-3

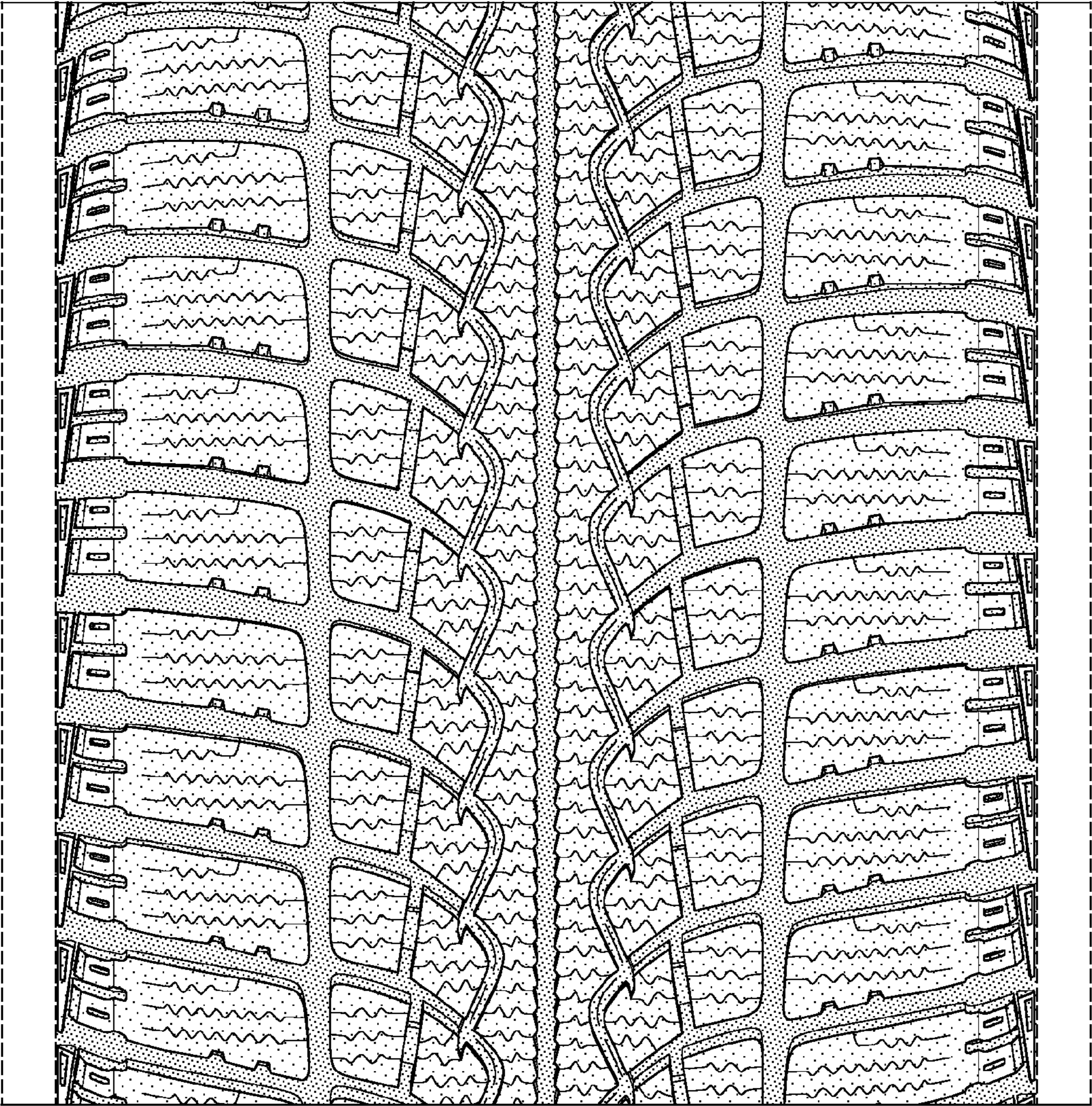


FIG-4

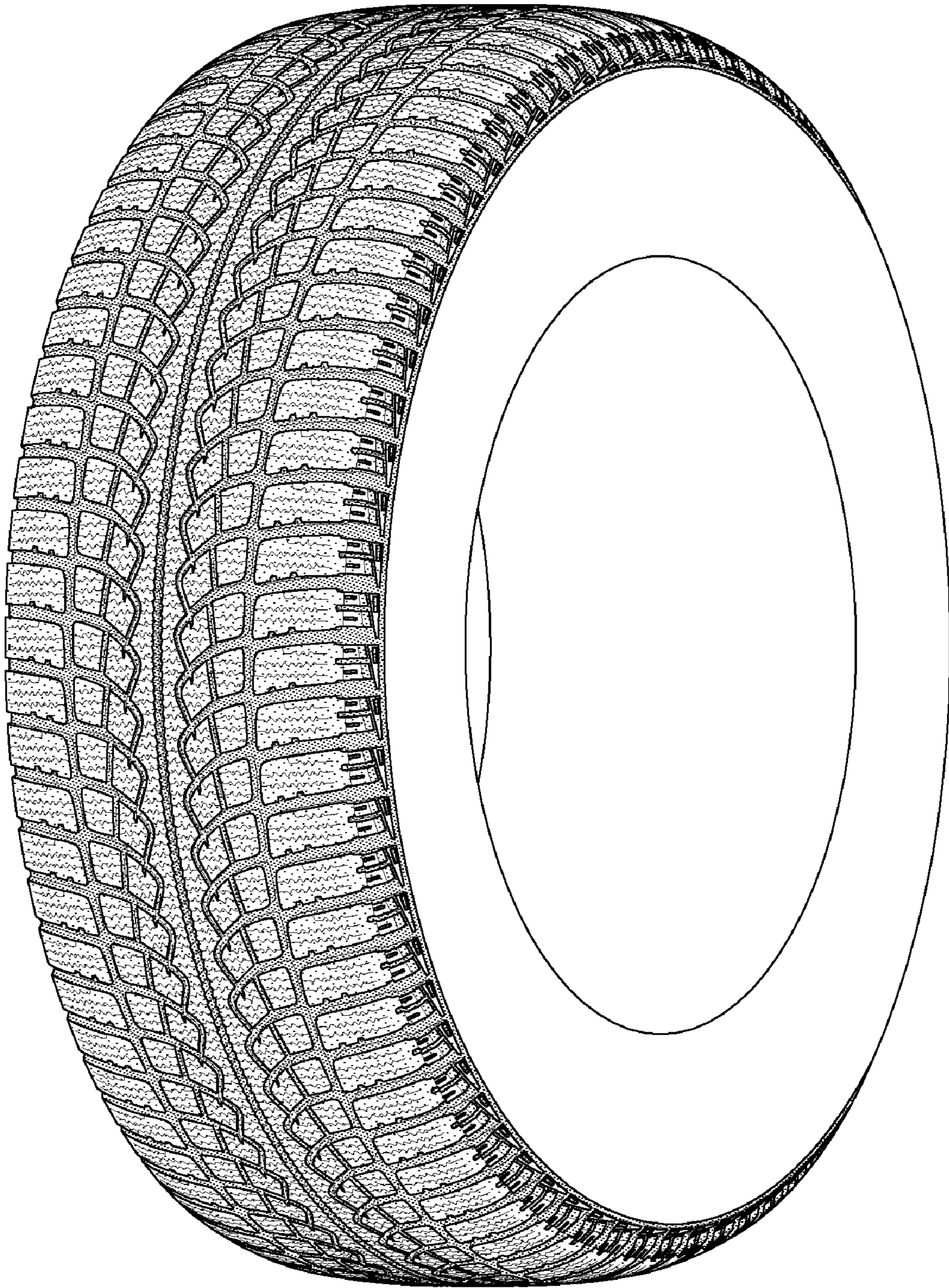


FIG-5

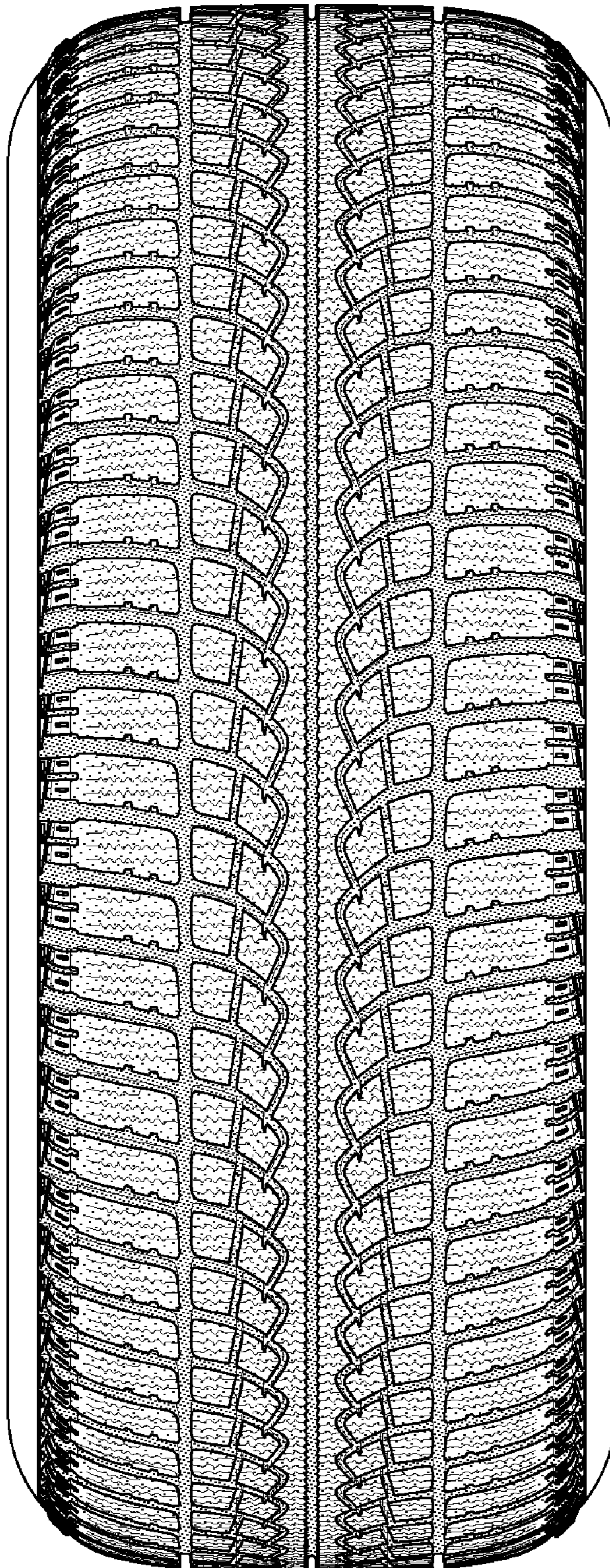


FIG-6