



US00D586725S

(12) **United States Design Patent**
Fontaine et al.

(10) **Patent No.:** **US D586,725 S**
(45) **Date of Patent:** **** Feb. 17, 2009**

- (54) **TIRE**
- (75) Inventors: **Sebastien Willy Fontaine**, Oberfeulen (LU); **Pierre Bernard Raoul Brochet**, Luxembourg (LU); **Jerome Marcel Germain Delu**, Bridel (LU); **Michel Marguerite Walther Ghislain Constant**, Bastogne (BE); **Percy Anthony Lemaire**, Arlon (BE); **Marc Hubert**, Chattillon (BE)
- (73) Assignee: **The Goodyear Tire & Rubber Company**, Akron, OH (US)
- (**) Term: **14 Years**
- (21) Appl. No.: **29/324,355**
- (22) Filed: **Sep. 11, 2008**
- (51) **LOC (9) Cl.** **12-15**
- (52) **U.S. Cl.** **D12/519**
- (58) **Field of Classification Search** D12/505-532, D12/900-901; 152/209.1, 209.8-209.18, 152/209.25-209.28, 455
See application file for complete search history.

D524,236 S	7/2006	Marazzi et al.	D12/524
D531,108 S	10/2006	Marazzi et al.	D12/523
D533,133 S	12/2006	Heinen et al.	D12/590
D545,264 S *	6/2007	Takahashi et al.	D12/521
D546,272 S	7/2007	Shinohara et al.	D12/521
D558,129 S	12/2007	Sato et al.	D12/524
D559,167 S *	1/2008	Krenz et al.	D12/521
D575,725 S *	8/2008	Hirai et al.	D12/518

* cited by examiner

Primary Examiner—Stacia Cadmus

(74) *Attorney, Agent, or Firm*—Richard B. O’Planick

(57) **CLAIM**

The ornamental design for a tire, as shown and described.

DESCRIPTION

FIG. 1 is a perspective view of a tire showing our new design, it being understood that the pattern repeats uniformly throughout the circumference of the tread;

FIG. 2 is a front elevational view thereof;

FIG. 3 is a right side elevational view thereof; the opposite side elevational view being identical thereto;

FIG. 4 is an enlarged fragmentary front elevational view thereof;

FIG. 5 is a perspective view of a second embodiment of a tire showing our new design, it being understood that the pattern repeats uniformly throughout the circumference of the tread and that the opposite side perspective view is identical thereto; and,

FIG. 6 is a front elevational view of a second embodiment, it being understood that an enlarged fragmentary view thereof would be substantially identical to that shown in FIG. 4, with the exception of the inclusion of the sidewall in solid lines.

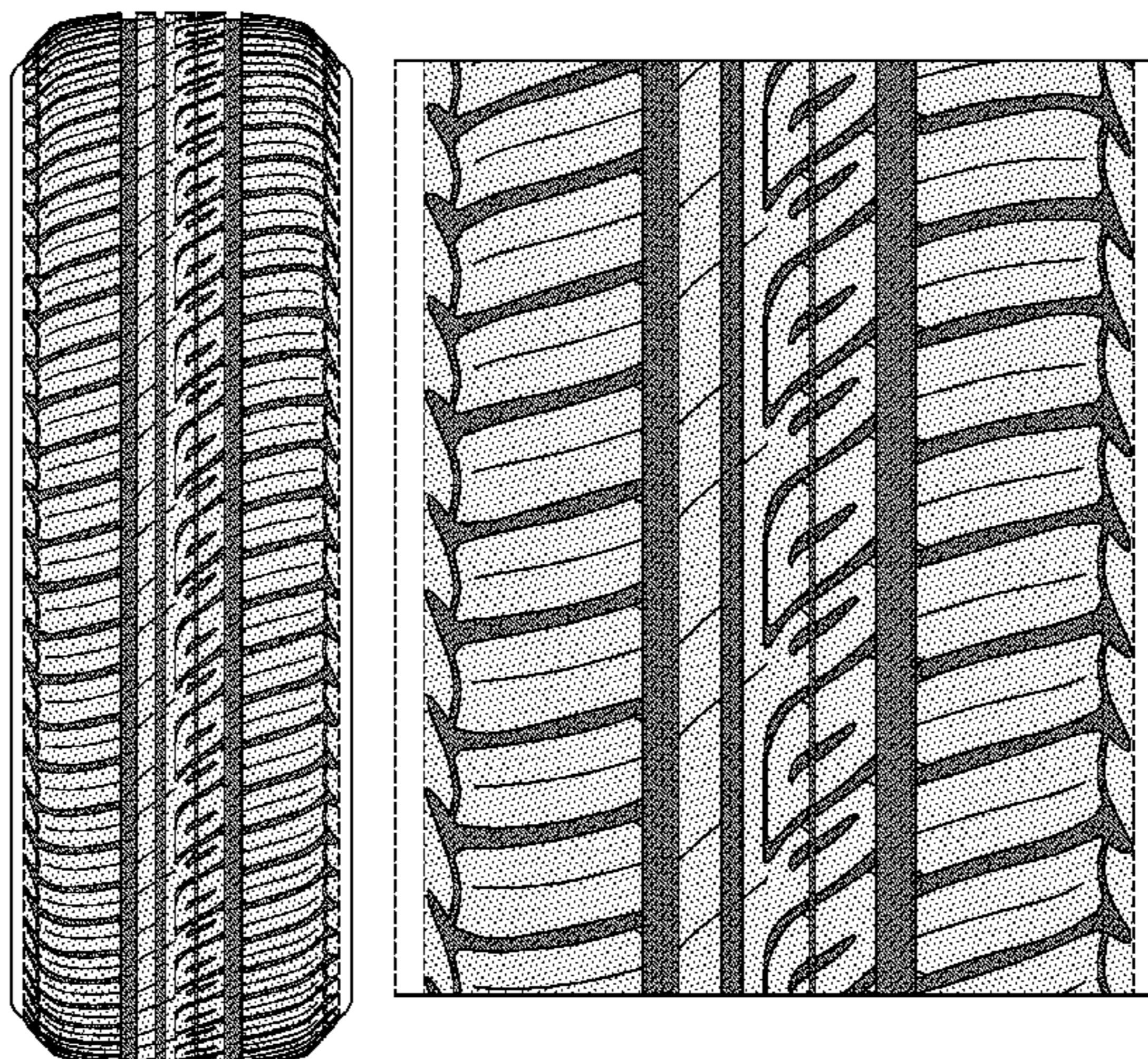
In the drawings, the broken lines defining the sidewall, inner bead and the peripheral boundary between the claimed tire tread and the unclaimed sidewall depict environmental subject matter that forms no part of the claimed design.

1 Claim, 6 Drawing Sheets

(56) **References Cited**

U.S. PATENT DOCUMENTS

D456,762 S	5/2002	Graas	D12/524
D476,946 S	7/2003	Lee et al.	D12/524
D483,004 S *	12/2003	Schomburg et al.	D12/519
D490,045 S	5/2004	Delu et al.	D12/519
D490,047 S	5/2004	Heinen et al.	D12/524
D490,048 S	5/2004	Heinen et al.	D12/524
D490,049 S	5/2004	Heinen et al.	D12/524
D512,013 S	11/2005	Delu et al.	D12/521
D513,603 S	1/2006	Shondel	D12/524
D515,021 S	2/2006	Delu et al.	D12/524
D517,976 S	3/2006	Raatikainen	D12/518
D522,442 S *	6/2006	Shirouzu	D12/519
D524,232 S	7/2006	Heinen et al.	D12/521
D524,233 S	7/2006	Marazzi et al.	D12/521
D524,235 S	7/2006	Marazzi et al.	D12/523



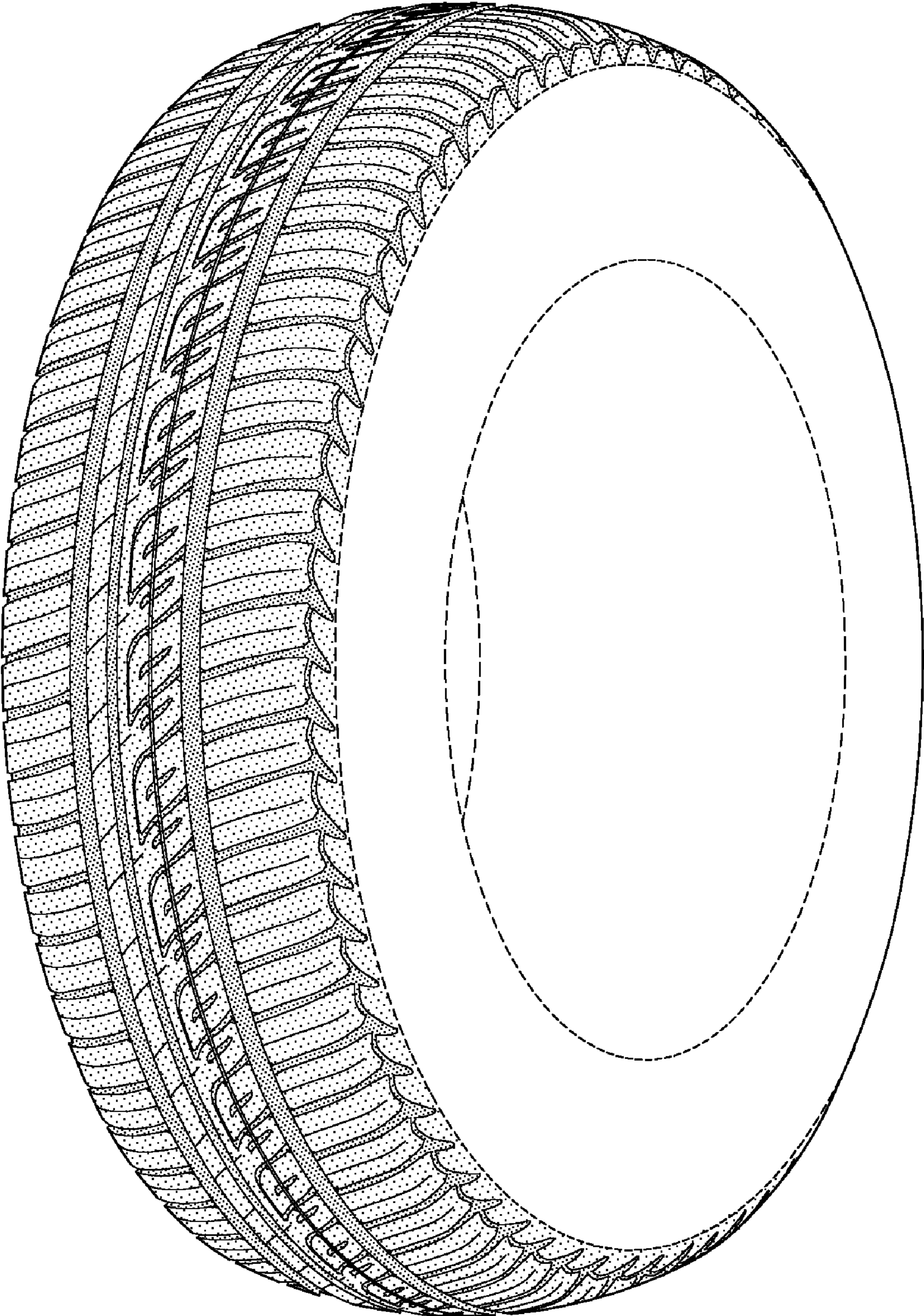


FIG-1

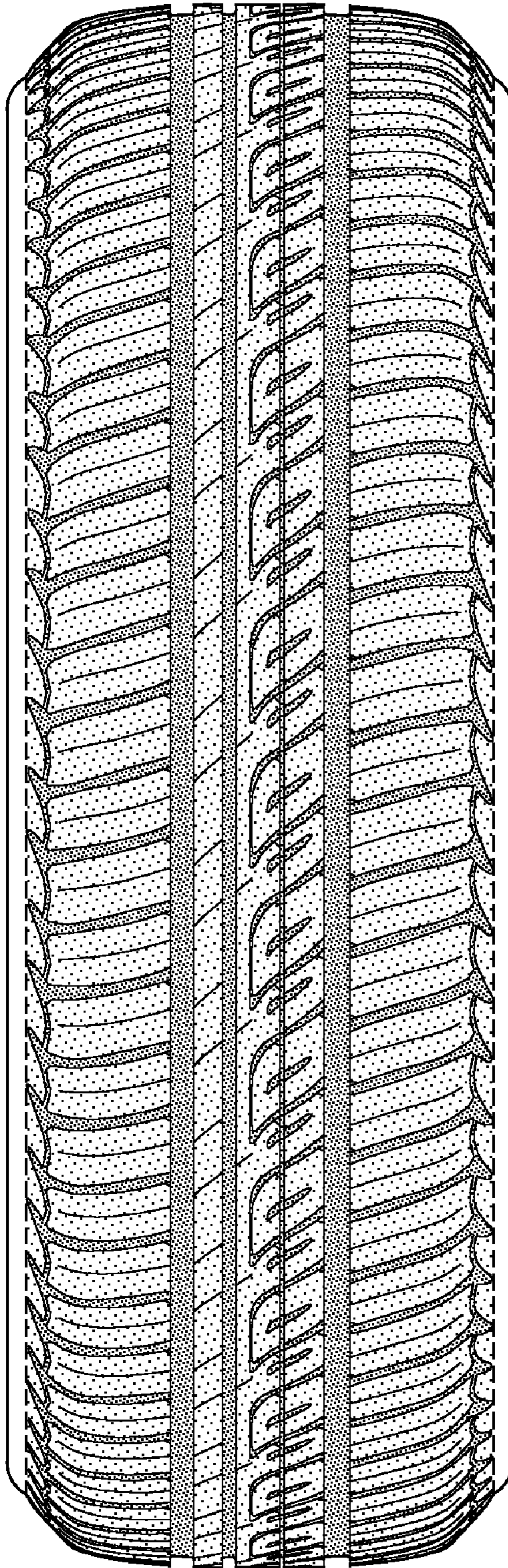


FIG-2

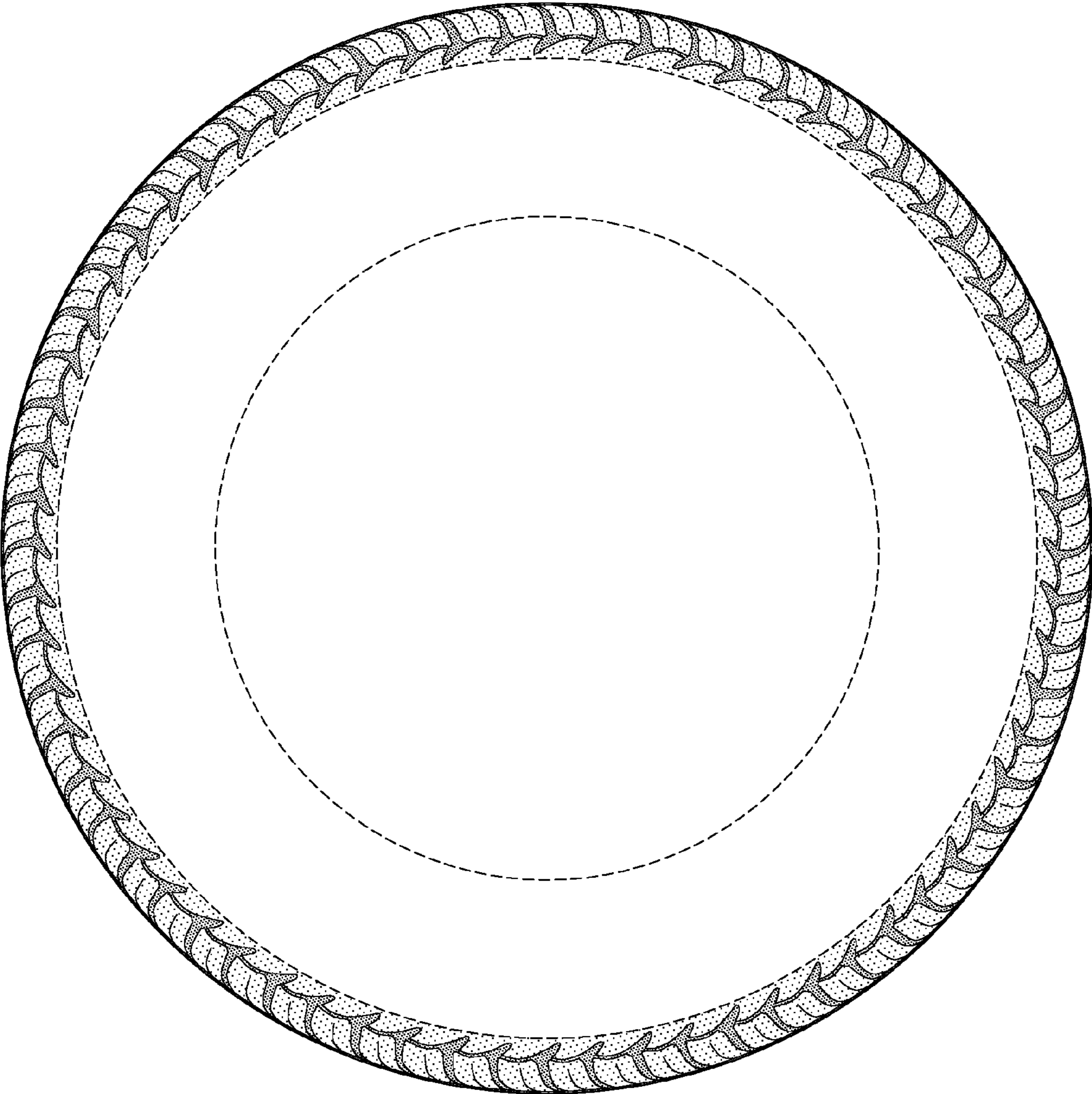


FIG-3

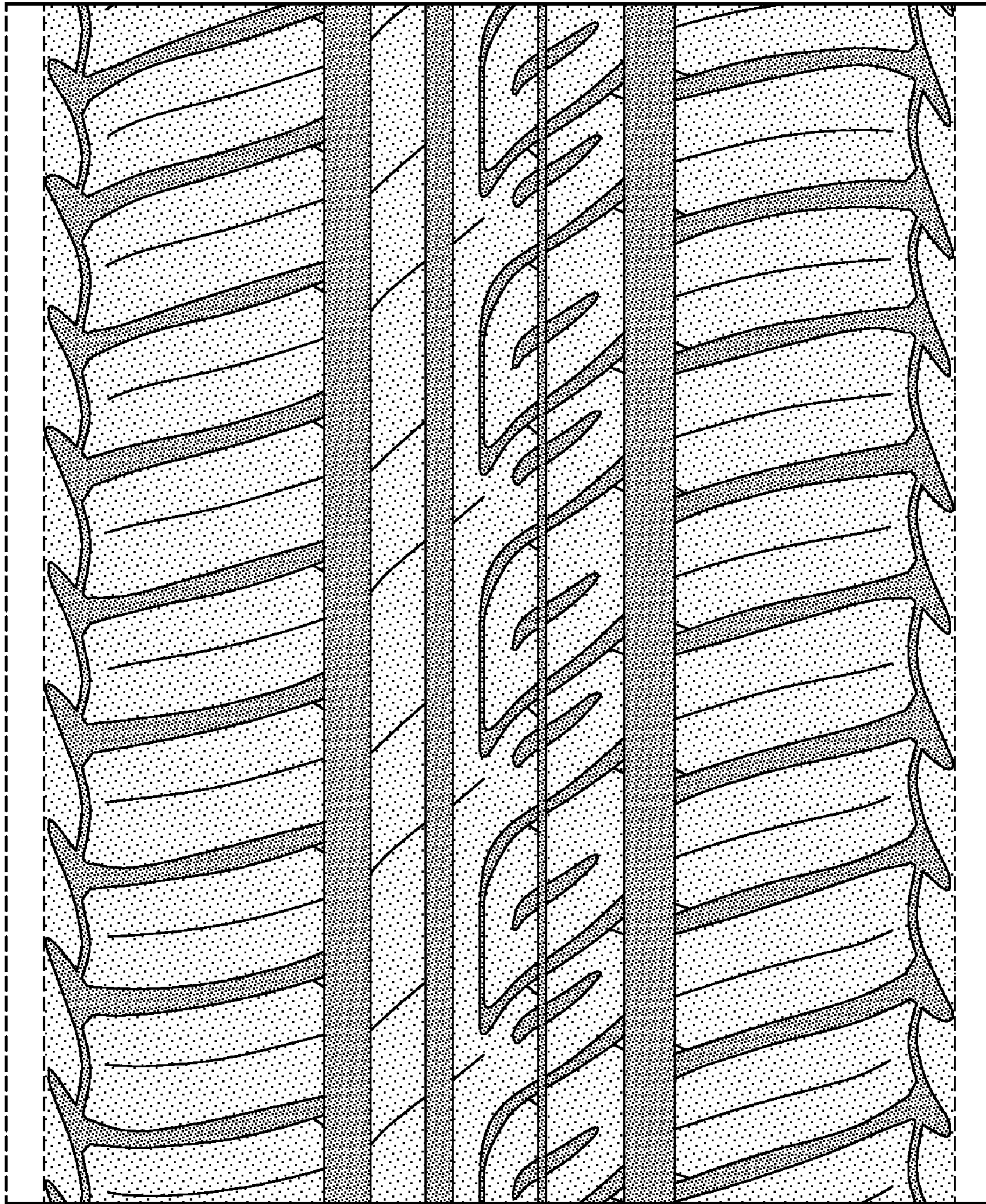


FIG-4

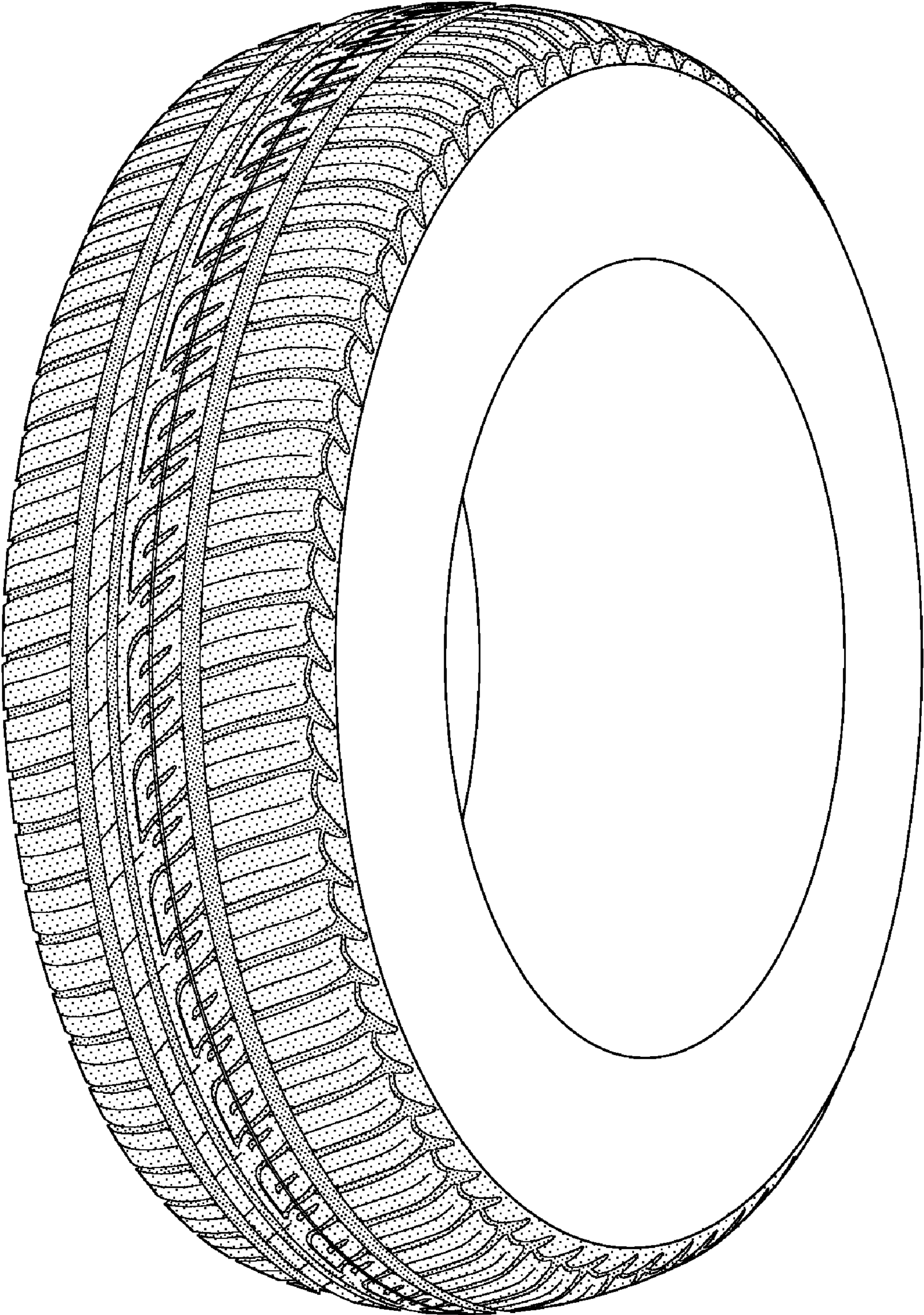


FIG-5

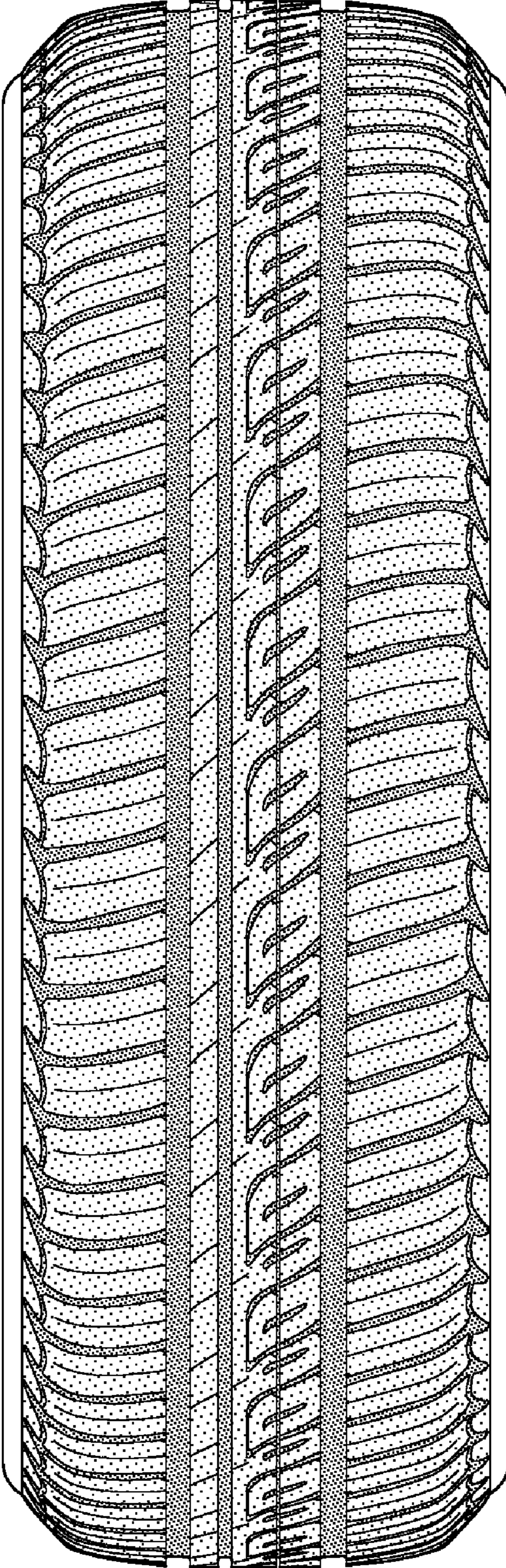


FIG-6