



US00D586720S

(12) **United States Design Patent**
Kirschmann

(10) **Patent No.:** **US D586,720 S**

(45) **Date of Patent:** **** Feb. 17, 2009**

(54) **STABILIZER FOR PERSONAL WATERCRAFT**

D510,900 S * 10/2005 Bucaccio et al. D12/307
2003/0213419 A1* 11/2003 Duval et al. 114/55.55

(75) Inventor: **Harry P. Kirschmann**, 5529
Southminster Ln, Charlotte, NC (US)
28216-9609

* cited by examiner

(73) Assignee: **Harry P. Kirschmann**, Charlotte, NC
(US)

Primary Examiner—Holly H Baynham
Assistant Examiner—Cynthia M Chin
(74) *Attorney, Agent, or Firm*—Hans J. Crosby

(**) Term: **14 Years**

(57) **CLAIM**

(21) Appl. No.: **29/293,028**

The ornamental design for a stabilizer for personal watercraft,
as shown and described.

(22) Filed: **Nov. 8, 2007**

DESCRIPTION

(51) **LOC (9) Cl.** **12-06**

FIG. 1 is a perspective view of a hydrotab adapted for use with
a personal watercraft;

(52) **U.S. Cl.** **D12/317**

FIG. 2 is a bottom view thereof;

(58) **Field of Classification Search** D12/300,

FIG. 3 is a top view thereof;

D12/307, 309, 317; 114/55.5, 55.55, 55.56,

FIG. 4 is a left side view thereof;

114/55.7, 270, 271, 274–282, 284–285, 357,

FIG. 5 is a right side view thereof;

114/380, 126

FIG. 6 is a rear end view thereof; and,

See application file for complete search history.

FIG. 7 is a front end view thereof.

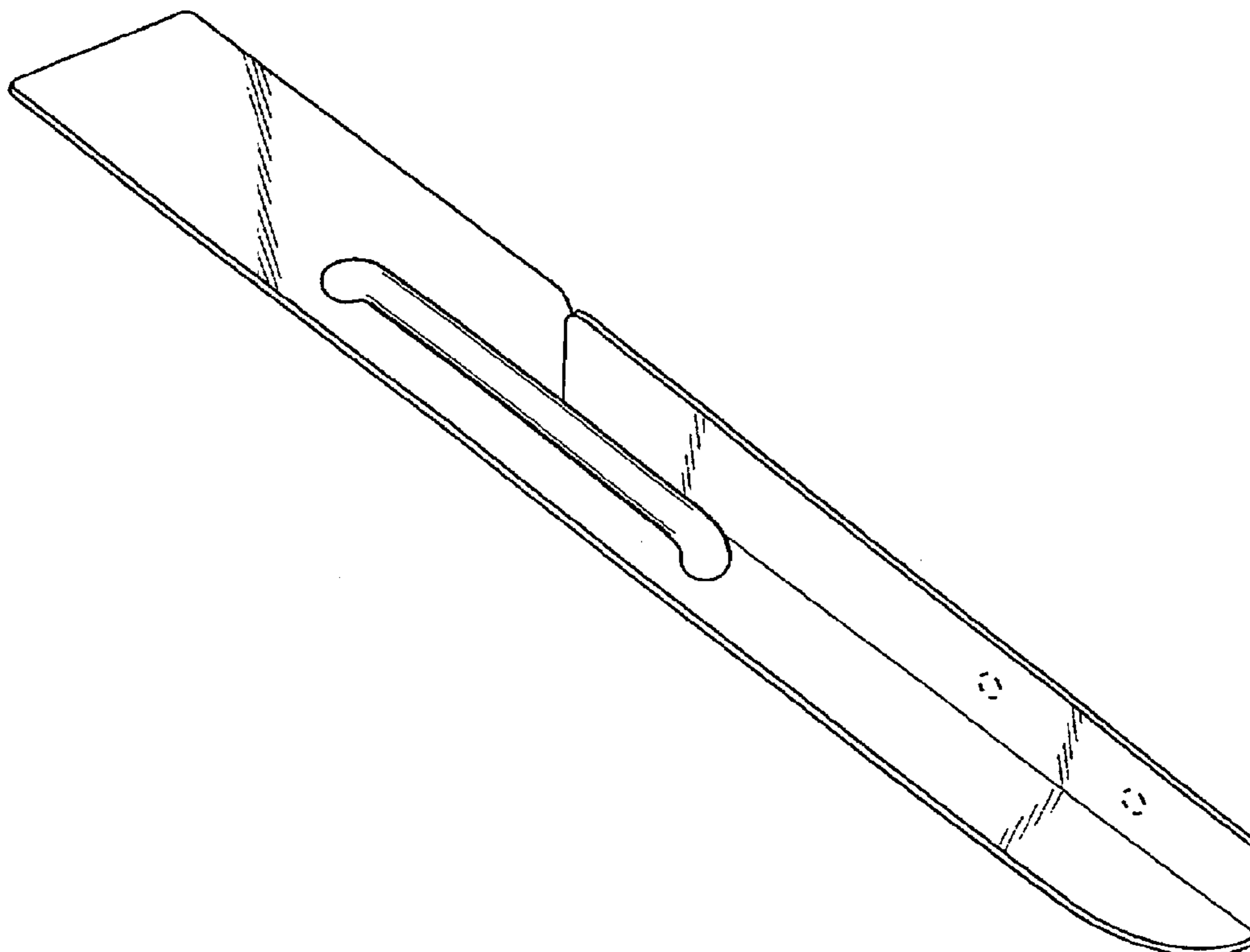
(56) **References Cited**

The broken lines are for illustrative purposes only and form
no part of the claimed design.

U.S. PATENT DOCUMENTS

- 2,834,621 A * 5/1958 Schroer 403/188
- 6,412,434 B1 * 7/2002 Kaneko 114/271
- D464,926 S * 10/2002 Mizuta et al. D12/307
- D508,454 S * 8/2005 Ino et al. D12/317

1 Claim, 4 Drawing Sheets



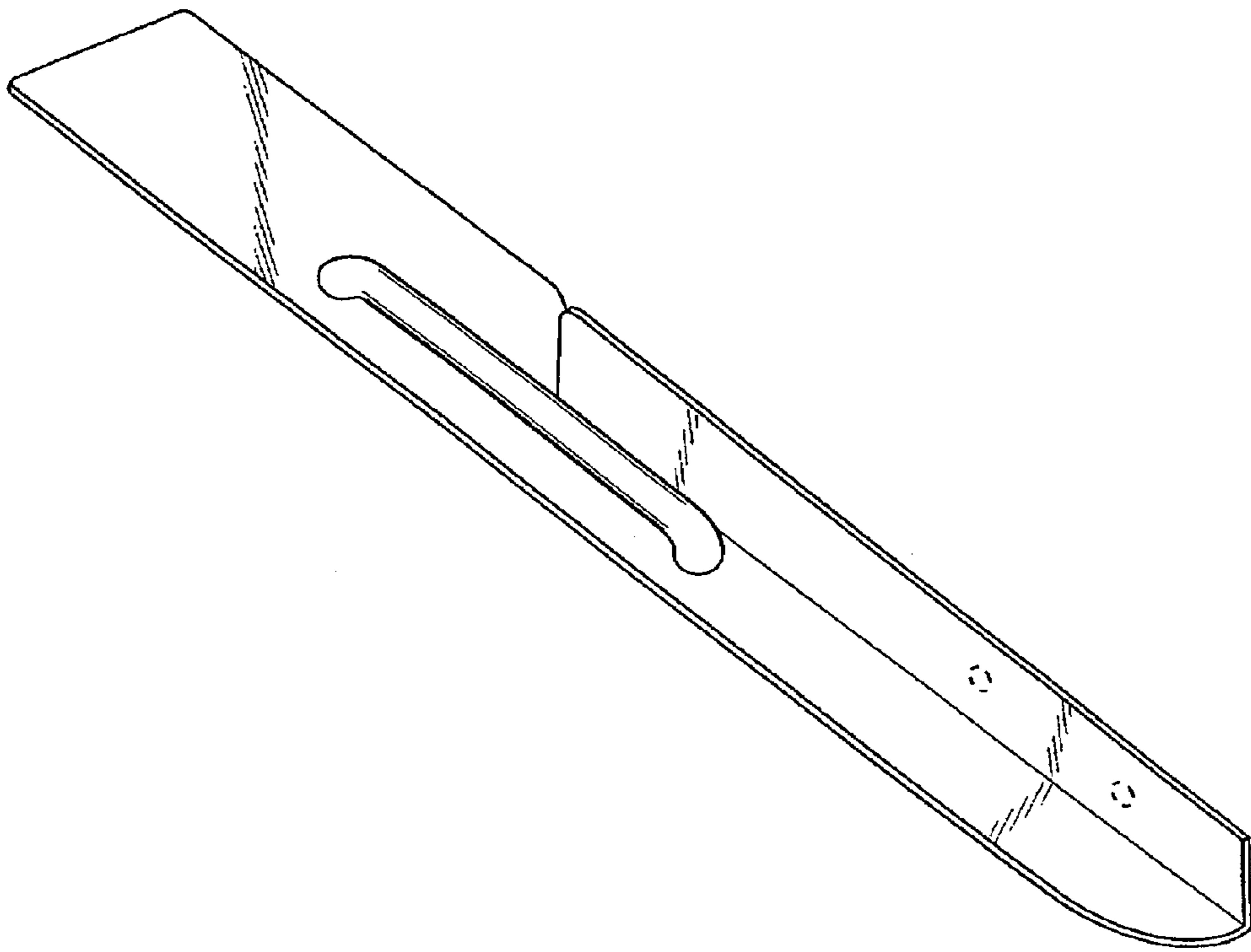


Fig. 1

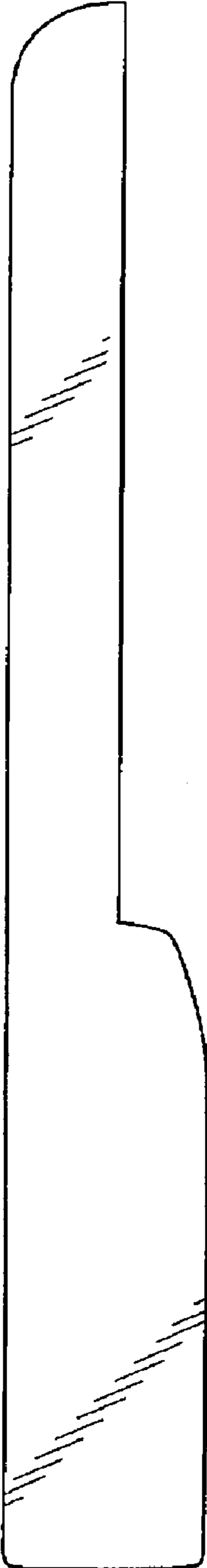


Fig. 2

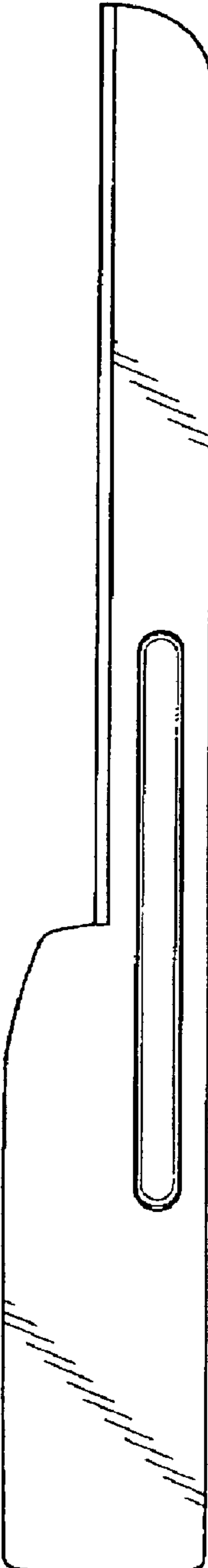


Fig. 3

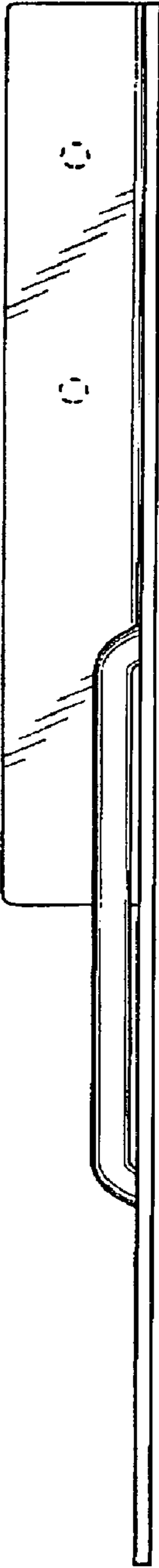


Fig. 4

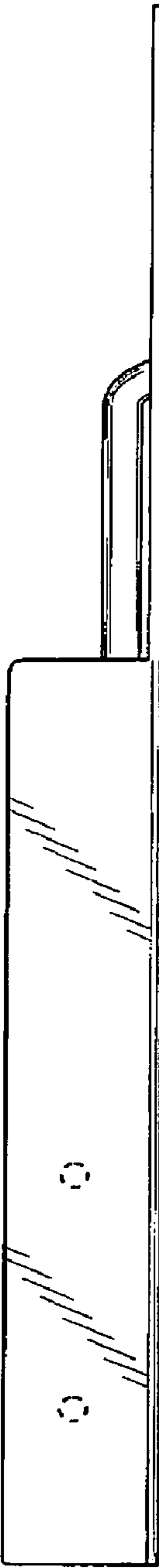


Fig. 5

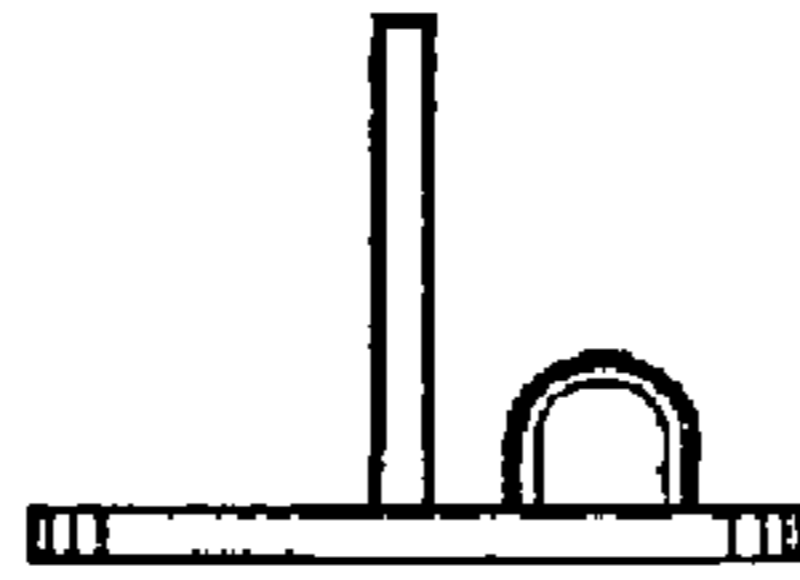


Fig. 6

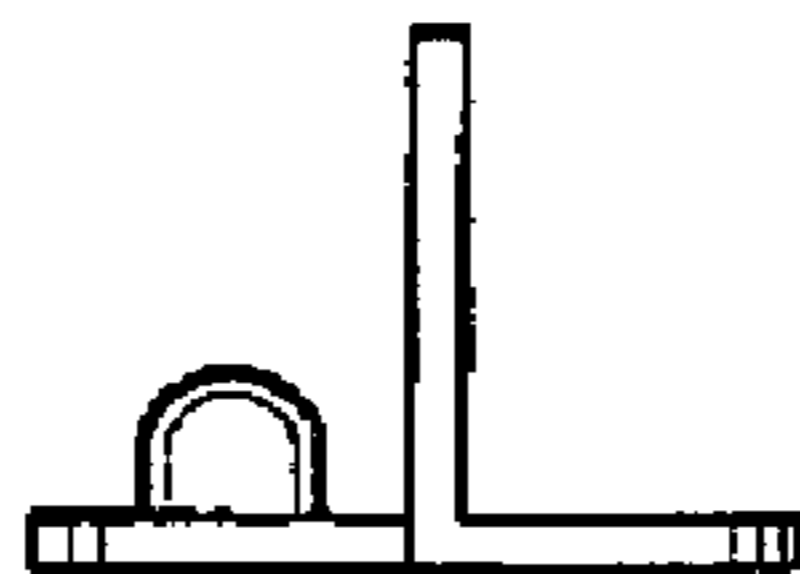


Fig. 7