



US00D586719S

(12) **United States Design Patent**
Morris

(10) **Patent No.:** **US D586,719 S**

(45) **Date of Patent:** **** Feb. 17, 2009**

(54) **PERFORMANCE SPORT BOAT**

(75) Inventor: **Keith H. Morris**, 3525 Valle Vista Dr.,
Chino Hills, CA (US) 91709

(73) Assignee: **Keith H. Morris**, Chino Hills, CA (US)

(**) Term: **14 Years**

(21) Appl. No.: **29/306,171**

(22) Filed: **Apr. 3, 2008**

(51) **LOC (9) Cl.** **12-06**

(52) **U.S. Cl.** **D12/300**

(58) **Field of Classification Search** D12/300,
D12/305-307, 310-318; 114/56, 61, 144 E,
114/249, 292, 283, 343, 355, 363, 364; D21/542-544,
D21/547

See application file for complete search history.

(56) **References Cited**

U.S. PATENT DOCUMENTS

1,712,281	A *	5/1929	Royer	114/288
2,126,304	A *	8/1938	Apel et al.	114/288
4,193,369	A *	3/1980	Talamantes, Jr.	114/290
D316,537	S *	4/1991	Prystupa	D12/300
D317,747	S *	6/1991	Riley	D12/300
D322,422	S *	12/1991	Carlson	D12/300

5,452,676	A *	9/1995	Fiore	114/291
D430,098	S *	8/2000	Vuckovis	D12/314
D464,925	S *	10/2002	Bassani Antivari	D12/300
D474,730	S *	5/2003	Flaherty	D12/300
D509,469	S *	9/2005	Longpre et al.	D12/300
D540,889	S *	4/2007	Yuen	D21/542
D563,308	S *	3/2008	Aeberhard	D12/300

* cited by examiner

Primary Examiner—Holly H Baynham

Assistant Examiner—Cynthia M Chin

(57) **CLAIM**

The ornamental design for a performance sport boat, as shown as described.

DESCRIPTION

FIG. 1 is a perspective view of a performance sport boat, showing my new design;

FIG. 2 is a front elevation view of the design;

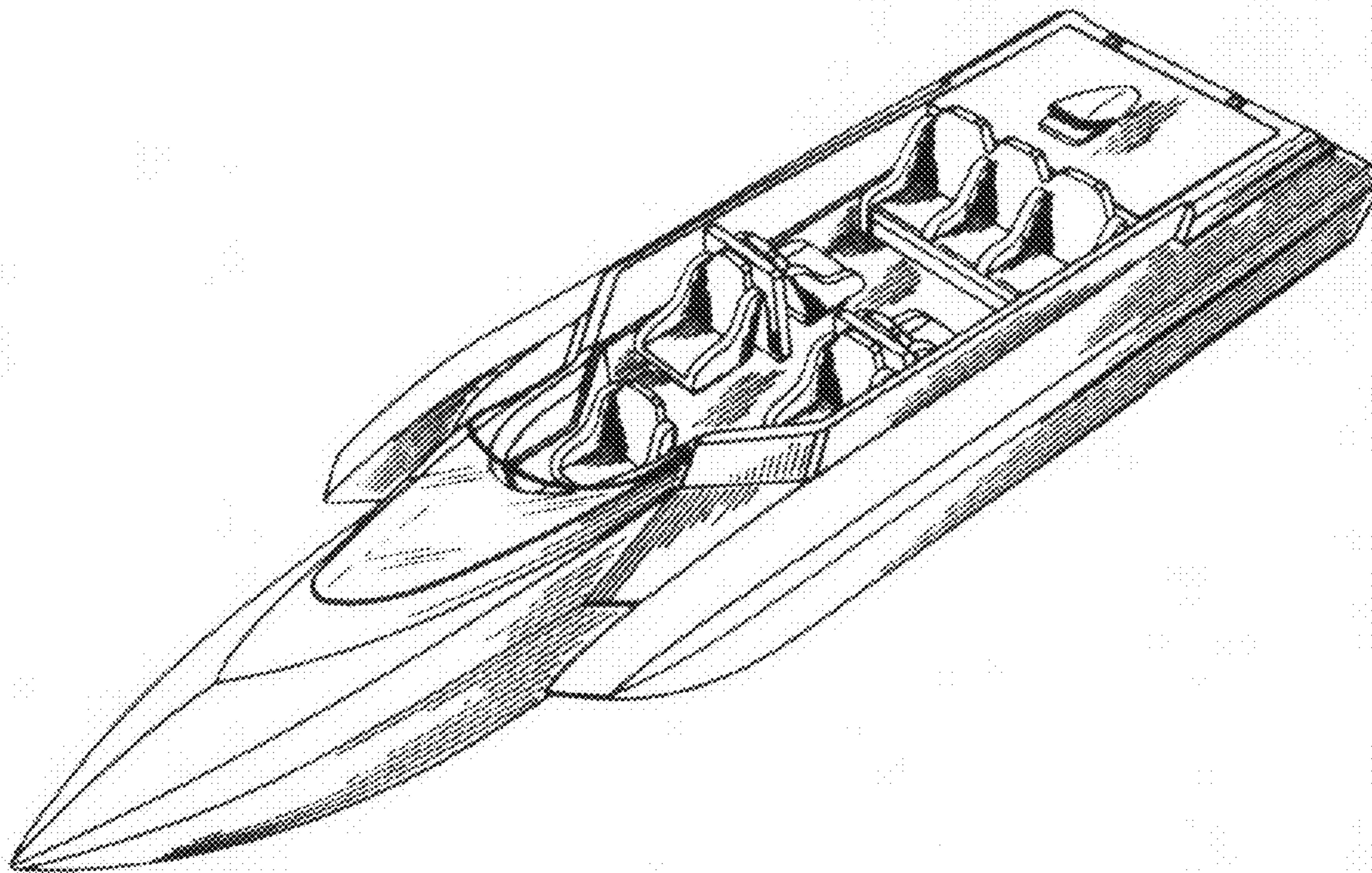
FIG. 3 is a rear elevational view of the design;

FIG. 4 is a right-side elevational view of the design, the left-side elevational view being a mirror image thereof;

FIG. 5 is a top plan view of the design; and,

FIG. 6 is a bottom plan view of the design.

1 Claim, 3 Drawing Sheets



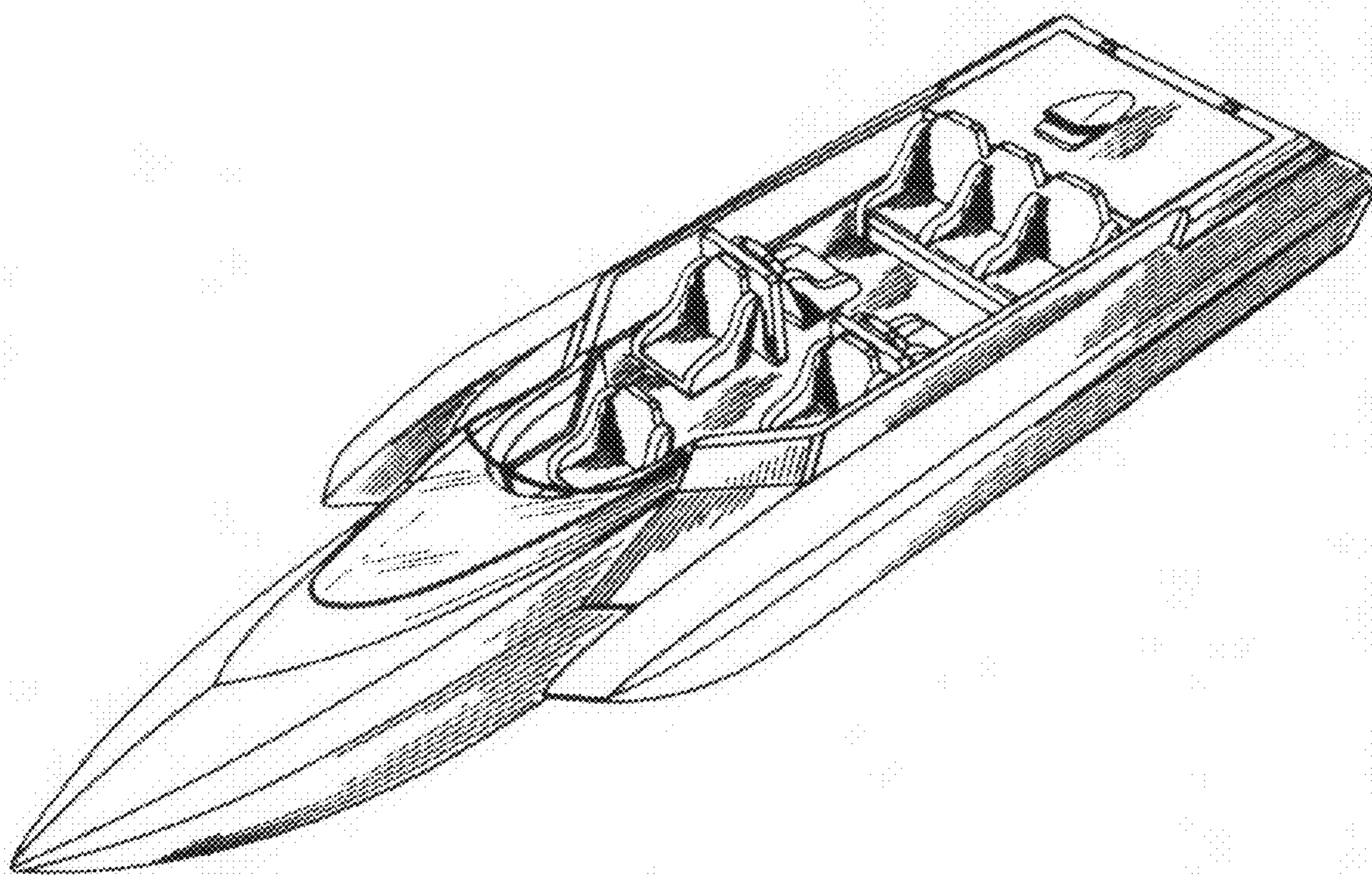


FIG. 1

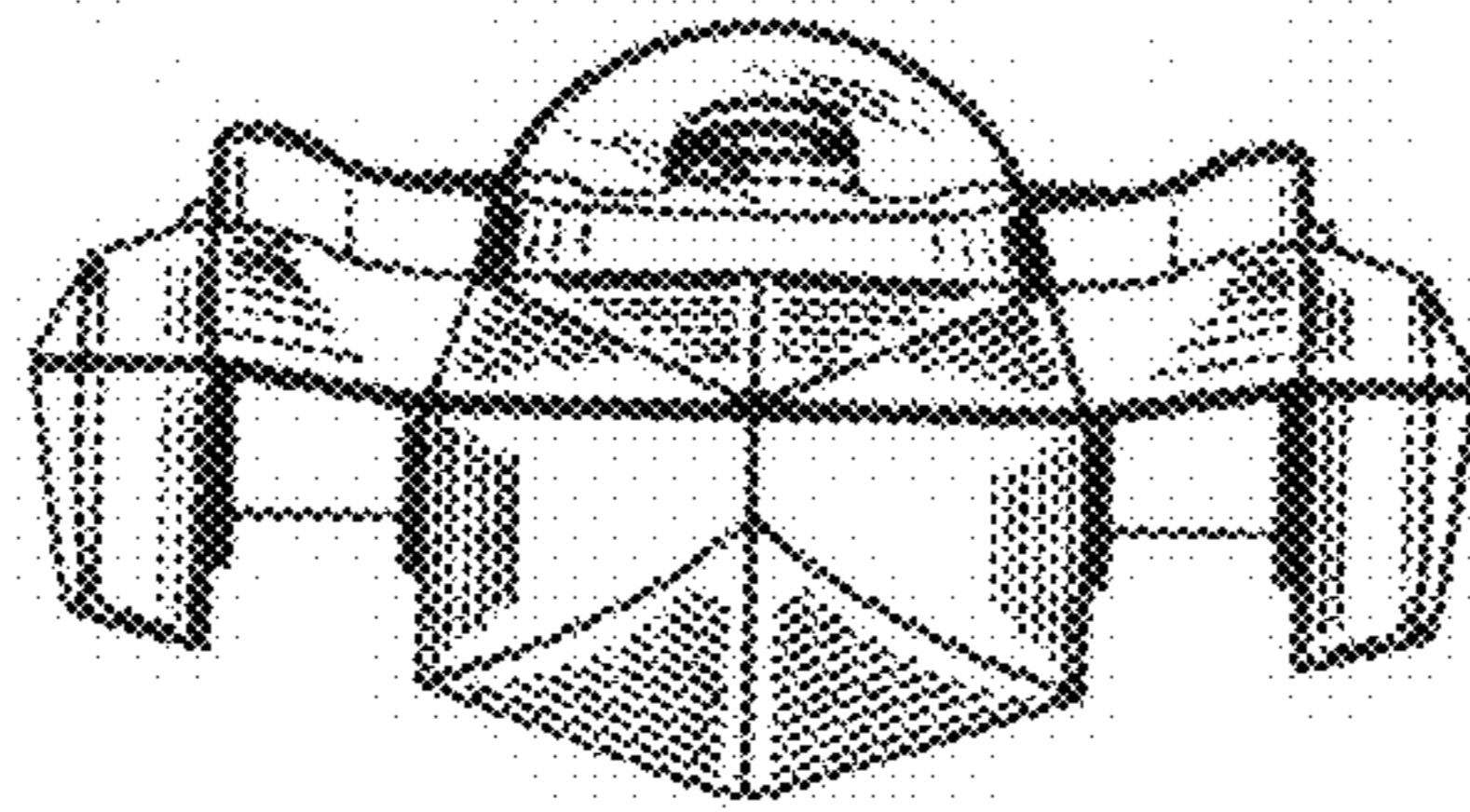


FIG. 2

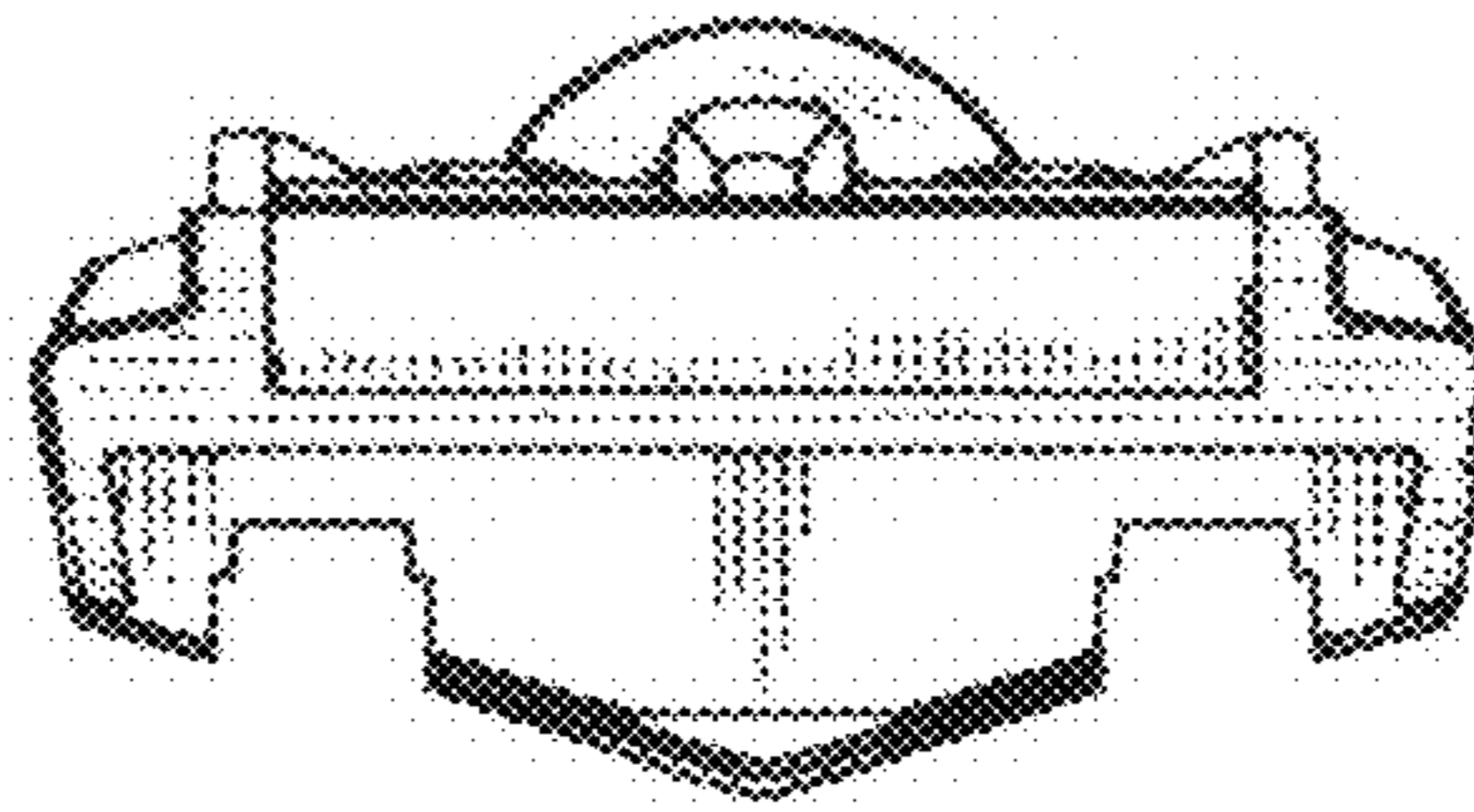


FIG. 3

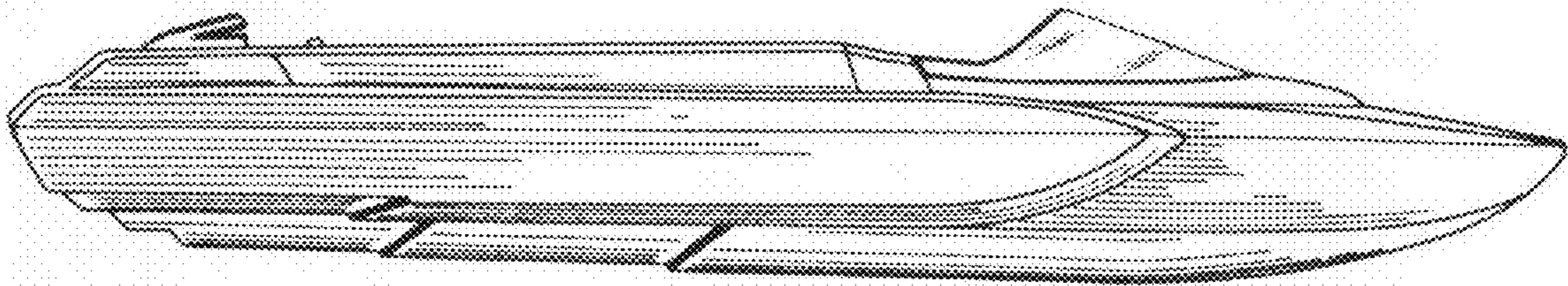


FIG. 4

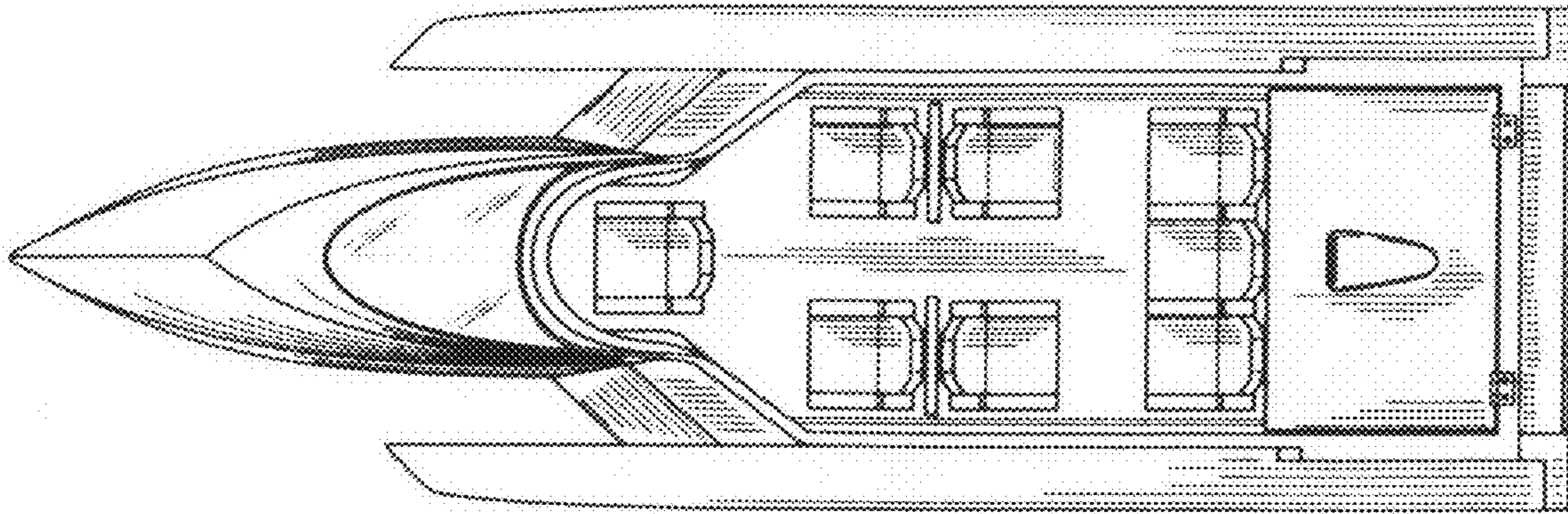


FIG. 5

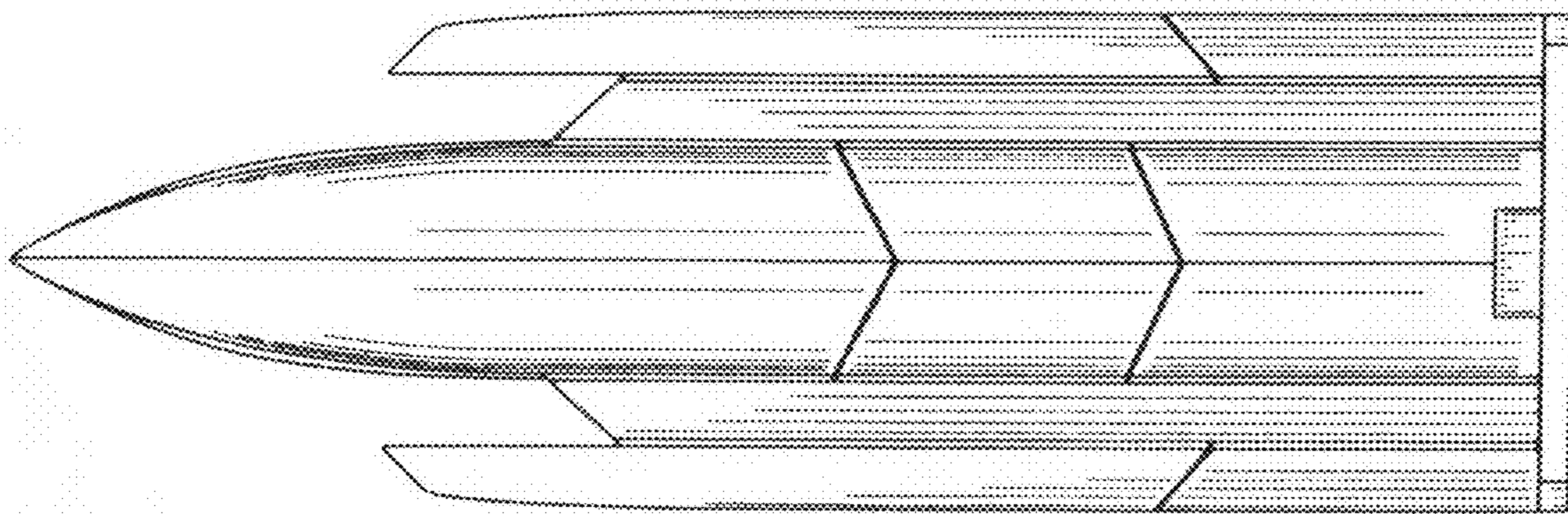


FIG. 6