



US00D586717S

(12) **United States Design Patent**
Depondt

(10) **Patent No.:** **US D586,717 S**
(45) **Date of Patent:** **** Feb. 17, 2009**

(54) **CONNECTOR FOR WINDSHIELD WIPER**

(75) Inventor: **Helmut Depondt**, Heverlee (BE)

(73) Assignee: **Robert Bosch GmbH**, Stuttgart (DE)

(**) Term: **14 Years**

(21) Appl. No.: **29/324,353**

(22) Filed: **Sep. 11, 2008**

(30) **Foreign Application Priority Data**

May 19, 2008 (EM) 000936265

(51) **LOC (9) Cl.** **12-06**

(52) **U.S. Cl.** **D12/220**

(58) **Field of Classification Search** D12/219-220;
15/246, 247, 250.001, 250.04, 250.361, 250.19,
15/250.48, 250.03, 250.31-250.33, 250.351,
15/250.38, 250.201, 250.451, 250.458, 250.07,
15/250.44

See application file for complete search history.

(56) **References Cited**

U.S. PATENT DOCUMENTS

D569,326 S * 5/2008 Biosca-Munt et al. D12/220

7,395,577 B2 * 7/2008 Chiang 15/250.32
D578,462 S * 10/2008 Biosca-Munt et al. D12/220
D579,401 S * 10/2008 Garrastacho et al. D12/219
2008/0058195 A1 * 3/2008 Chiang 502/1

* cited by examiner

Primary Examiner—Caron Veynar

Assistant Examiner—Katrina A Kile

(74) *Attorney, Agent, or Firm*—Victor A. Henzi

(57) **CLAIM**

The ornamental design for a connector for windshield wiper, as shown and described.

DESCRIPTION

FIG. 1 is a rear left perspective view of the connector for windshield wiper;

FIG. 2 is a rear elevational view thereof;

FIG. 3 is a right elevational view thereof;

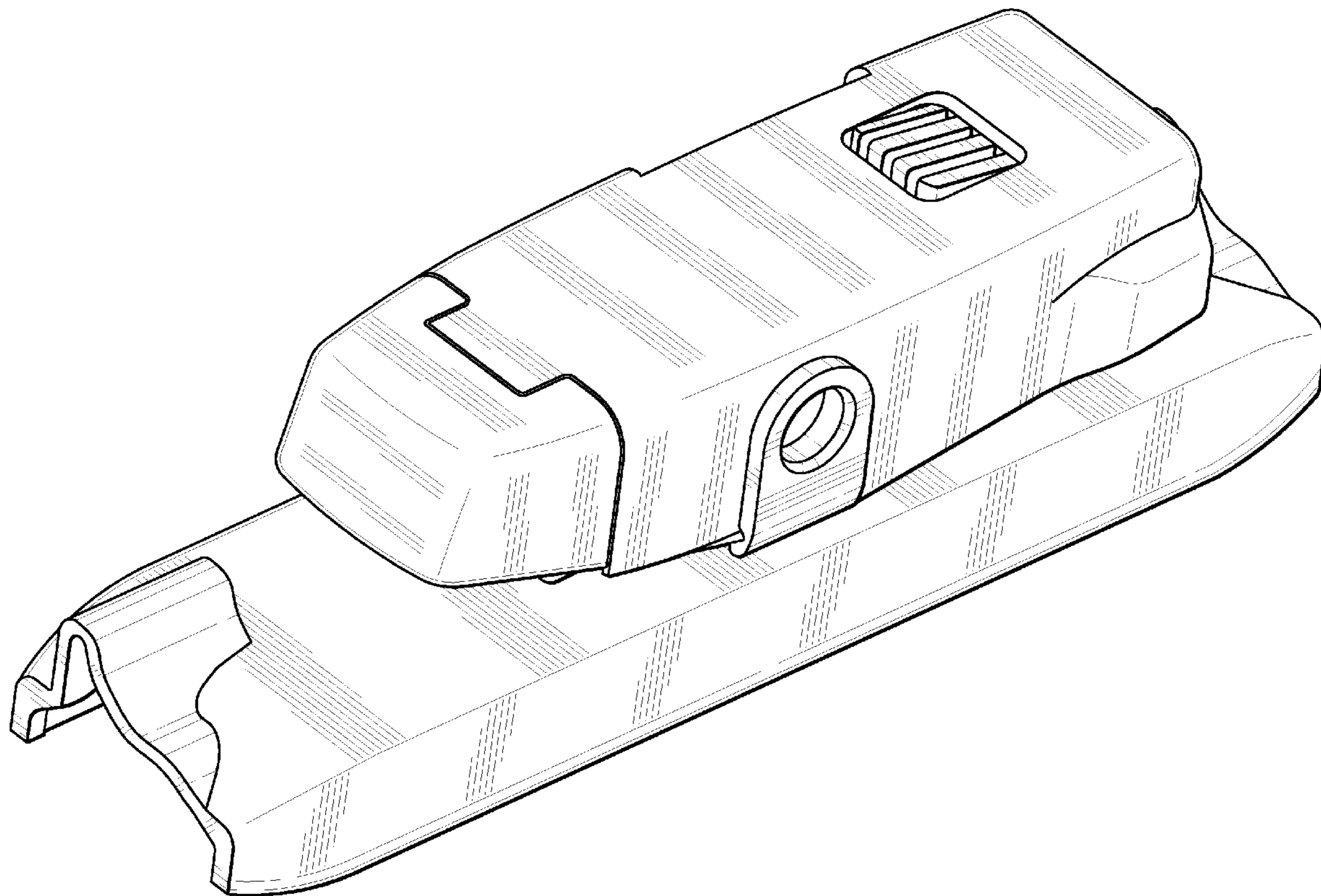
FIG. 4 is front elevational view a thereof;

FIG. 5 is left elevational view a thereof;

FIG. 6 is a top plan view thereof; and,

FIG. 7 is a bottom plan view thereof.

1 Claim, 7 Drawing Sheets



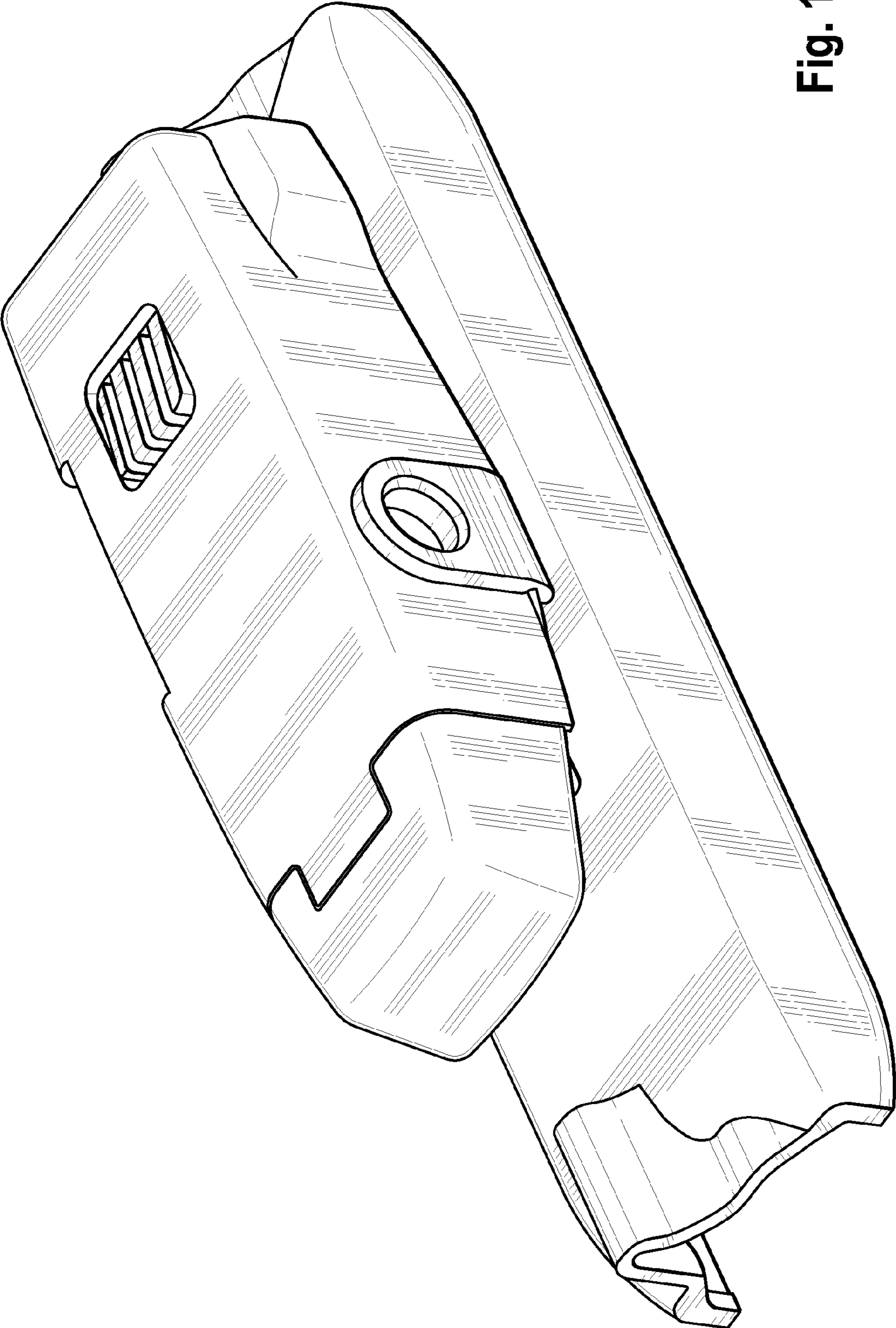


Fig. 1

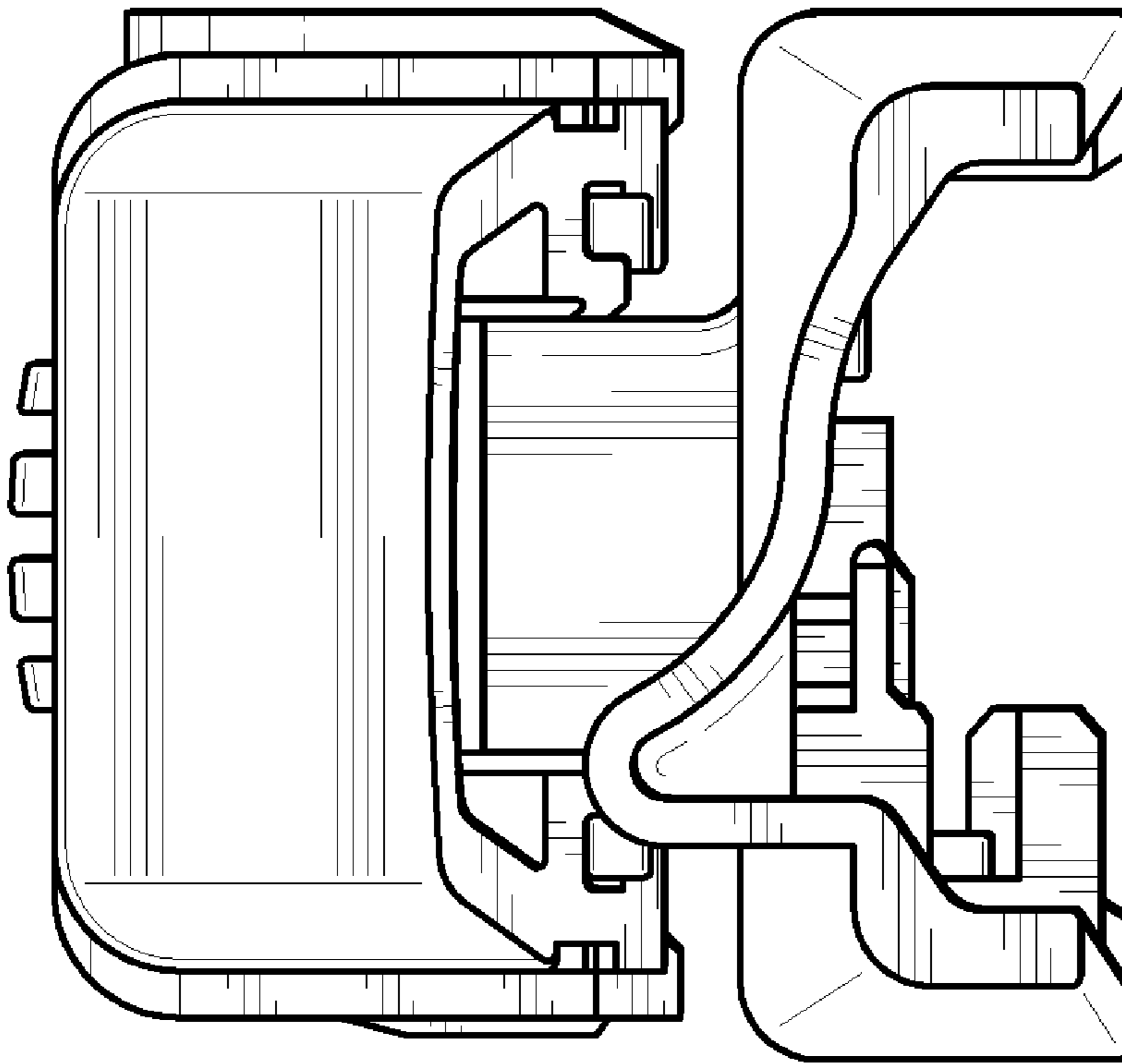


Fig. 2

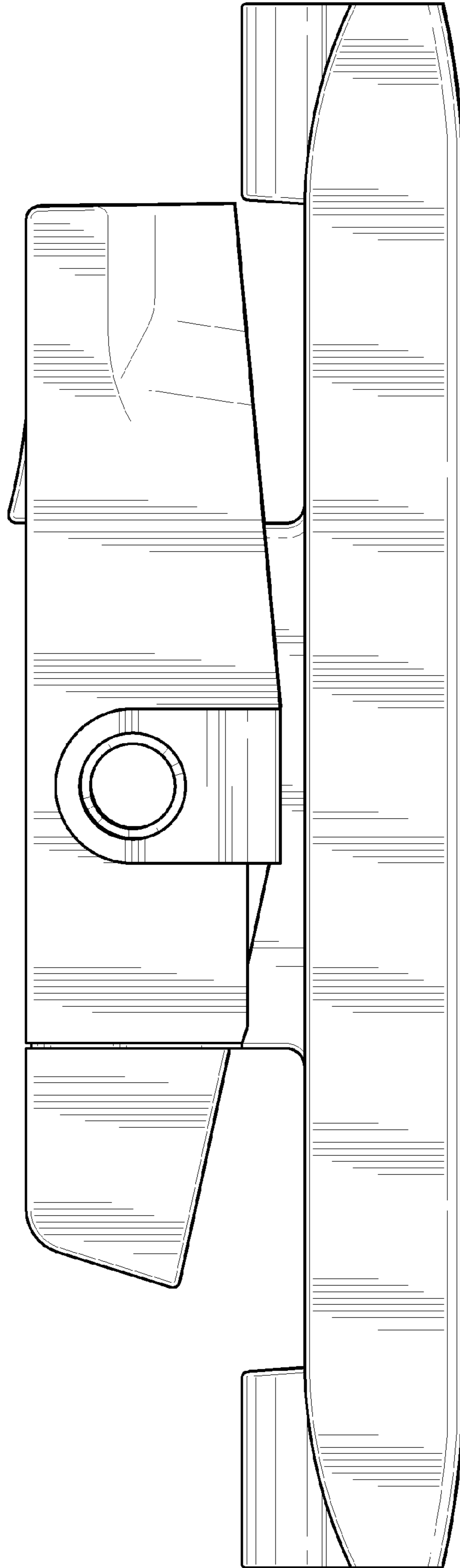


Fig. 3

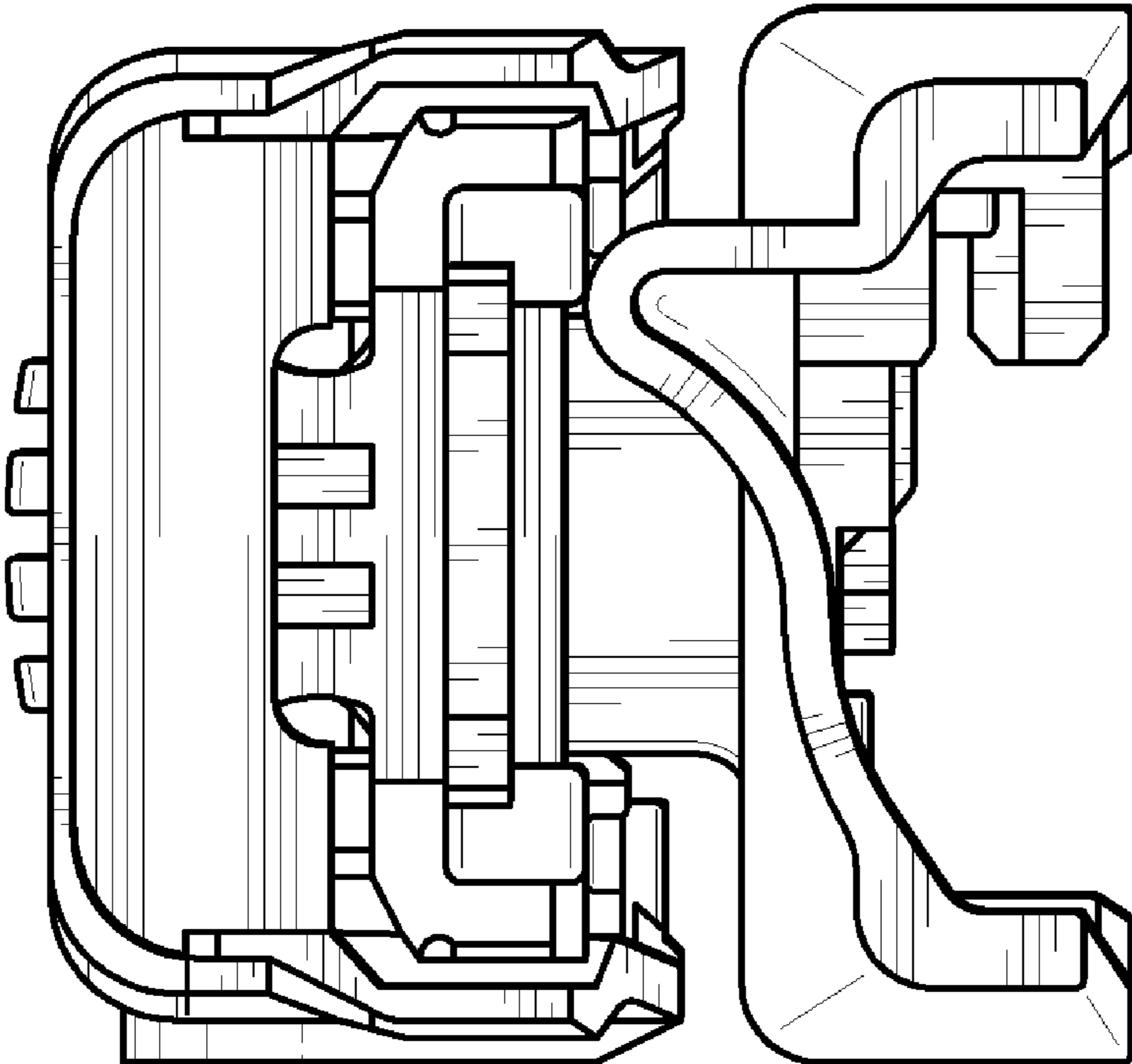


Fig. 4

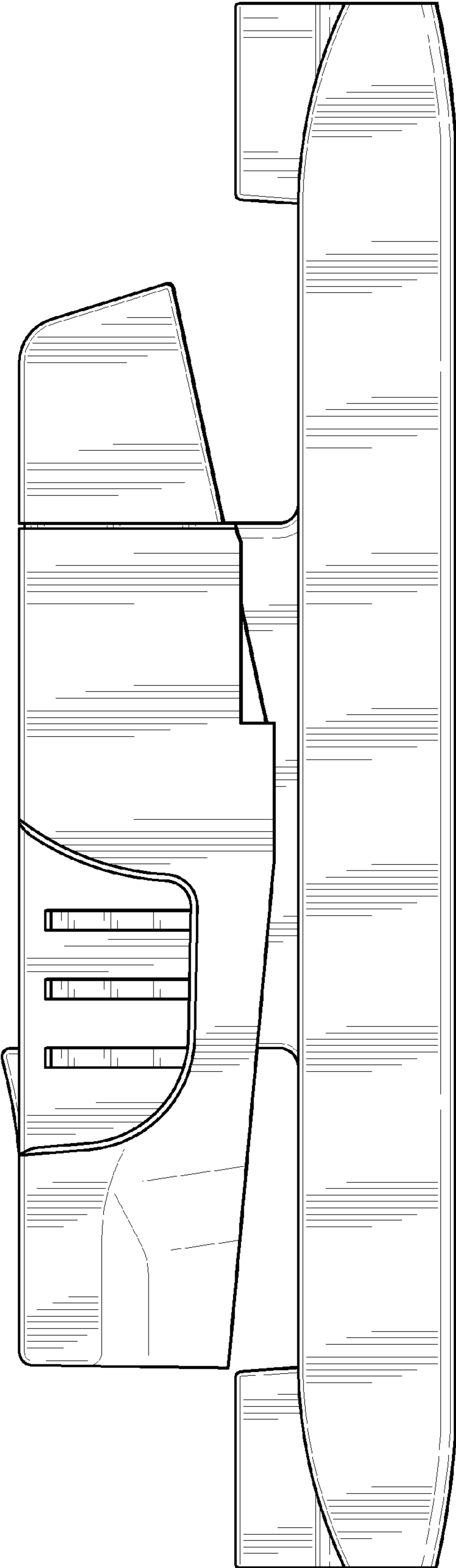


Fig. 5

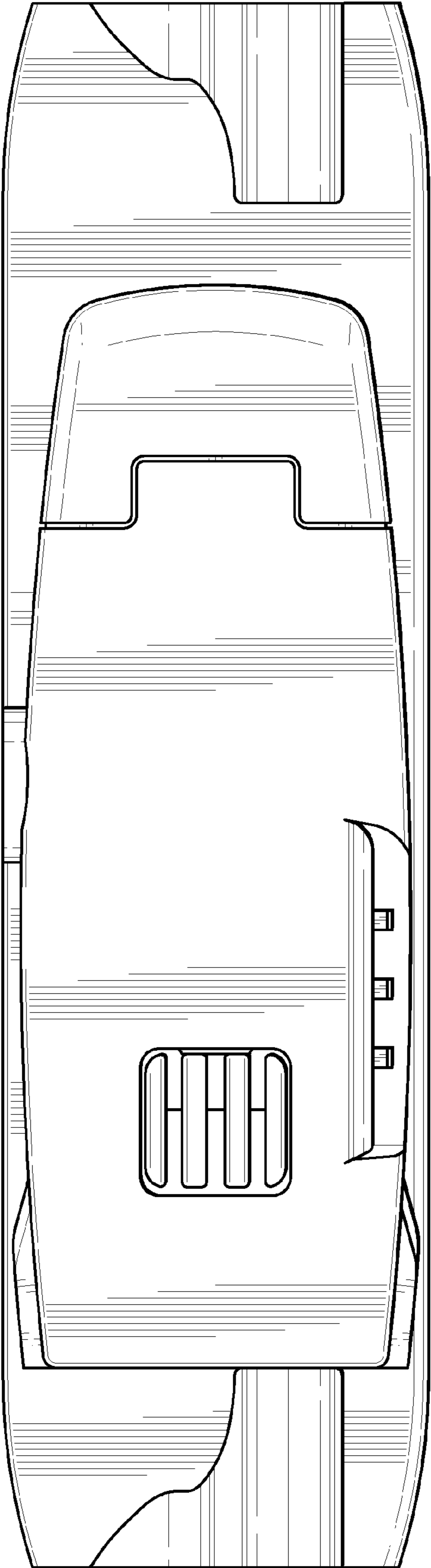


Fig. 6

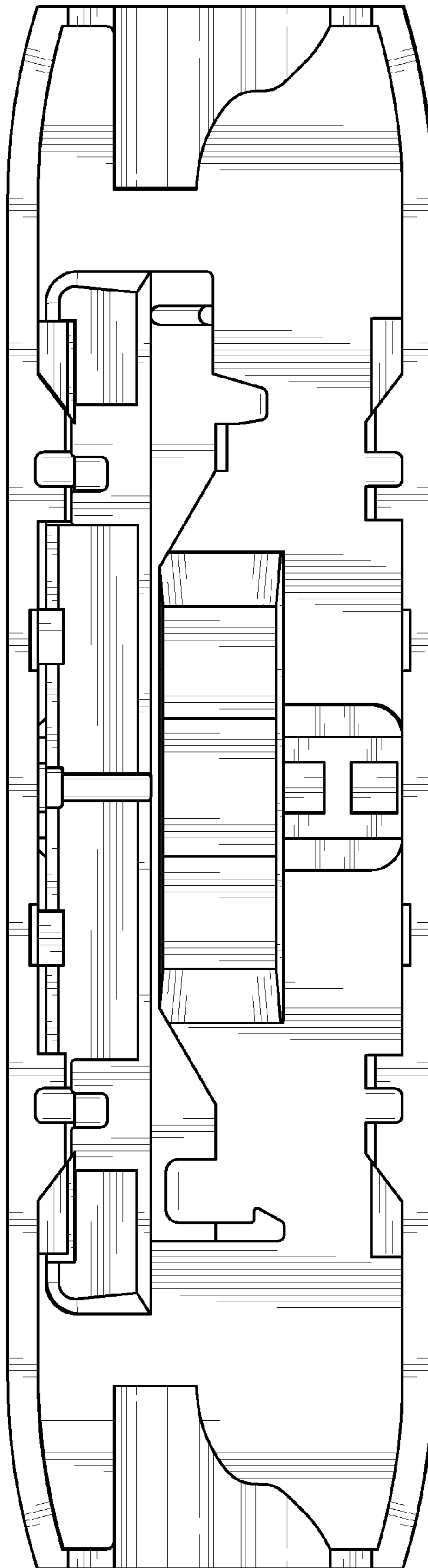


Fig. 7