



US00D586716S

(12) **United States Design Patent**
Radfar

(10) **Patent No.:** **US D586,716 S**

(45) **Date of Patent:** **** Feb. 17, 2009**

(54) **WINDSHIELD WIPER MITTEN**

2006/0107485 A1 5/2006 Kim

(75) Inventor: **Saeed T. Radfar**, Ashburn, VA (US)

FOREIGN PATENT DOCUMENTS

(73) Assignee: **Larco Enterprises, Inc.**, Ashburn, VA (US)

DE	3222864	12/1983
EP	0753439	1/1997
EP	1640227	3/2006
JP	61-92946	5/1986

(**) Term: **14 Years**

* cited by examiner

(21) Appl. No.: **29/320,838**

Primary Examiner—Caron Veynar

Assistant Examiner—Katrina A Kile

(22) Filed: **Jul. 7, 2008**

(74) *Attorney, Agent, or Firm*—Gottlieb, Rackman & Reisman, P.C.

(51) **LOC (9) Cl.** **12-06**

(52) **U.S. Cl.** **D12/220**

(58) **Field of Classification Search** D12/219–220;
15/246, 247, 250.001, 250.41, 250.4, 250.361,
15/250.19, 250.48, 250.03, 250.31, 250.33,
15/250.351, 250.38, 250.201, 250.451–458,
15/250.04, 250.07, 250.44

See application file for complete search history.

(57) **CLAIM**

An ornamental design for a windshield wiper mitten, as shown and described.

DESCRIPTION

FIG. 1 is a perspective view of the windshield wiper mitten showing my new design;

FIG. 2 is a bottom plan view thereof, the top plan view being a mirror image;

FIG. 3 is a left side view thereof;

FIG. 4 is a front view thereof, the back view being a mirror image;

FIG. 5 is a right side view thereof; and,

FIG. 6 is a top, front and left perspective view thereof with an attached securing string.

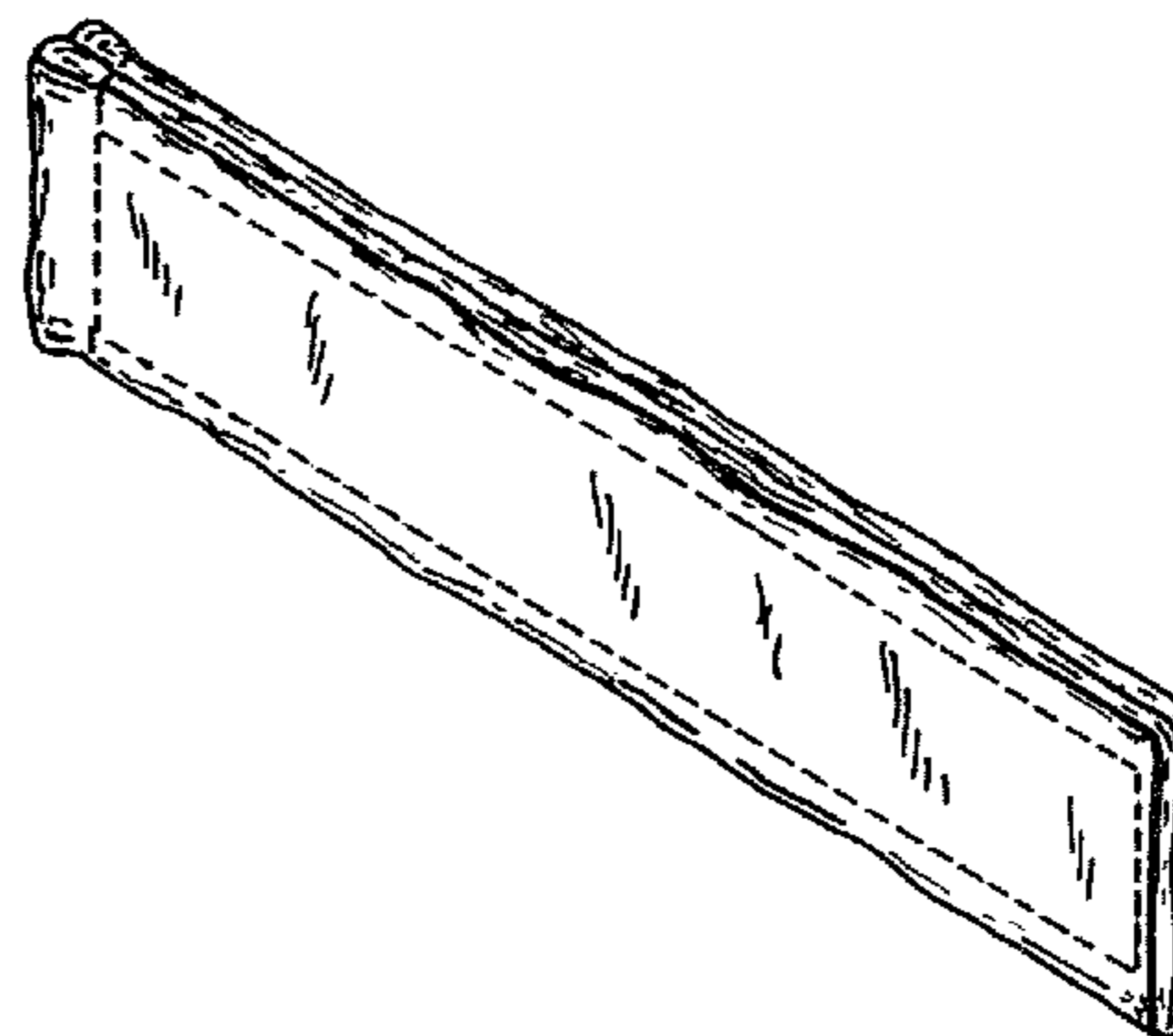
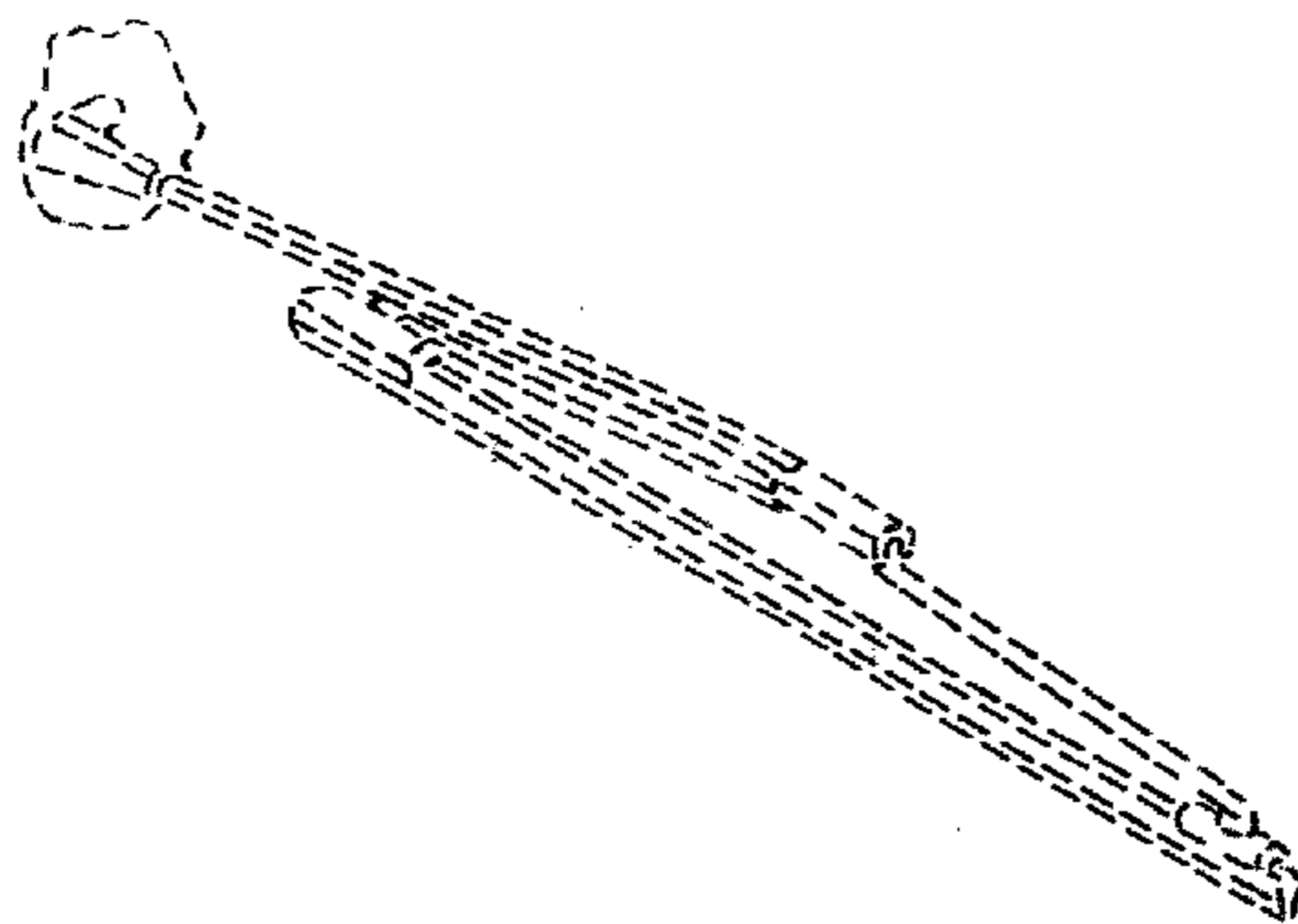
The broken line showing a windshield wiper in FIG. 1 is for illustrative purpose only and forms no part of the claimed design.

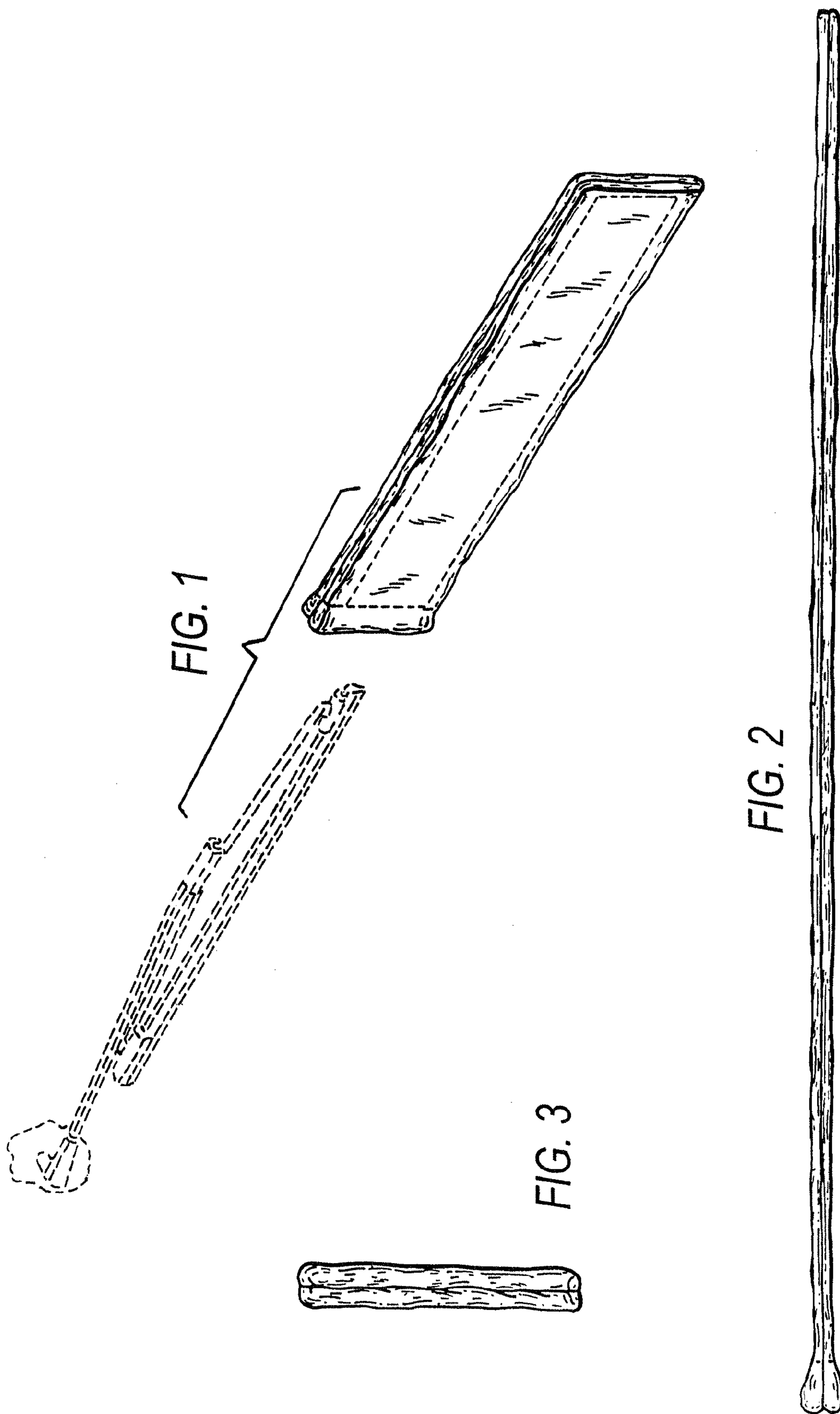
1 Claim, 2 Drawing Sheets

(56) **References Cited**

U.S. PATENT DOCUMENTS

3,601,839	A	8/1971	Kato	
4,120,302	A *	10/1978	Ziegler	606/207
4,342,126	A	8/1982	Neefeldt	
4,720,888	A *	1/1988	Menz	15/246
5,086,534	A	2/1992	Journee	
5,412,177	A	5/1995	Clark	
5,564,157	A	10/1996	Kushida et al.	
5,617,607	A	4/1997	Chen	
5,873,141	A	2/1999	Tackett	
6,070,287	A	6/2000	Kornegay	
6,247,201	B1	6/2001	McCray	
6,327,738	B1	12/2001	Lewis	
2005/0235448	A1	10/2005	Richard	
2006/0064841	A1	3/2006	Nakano	





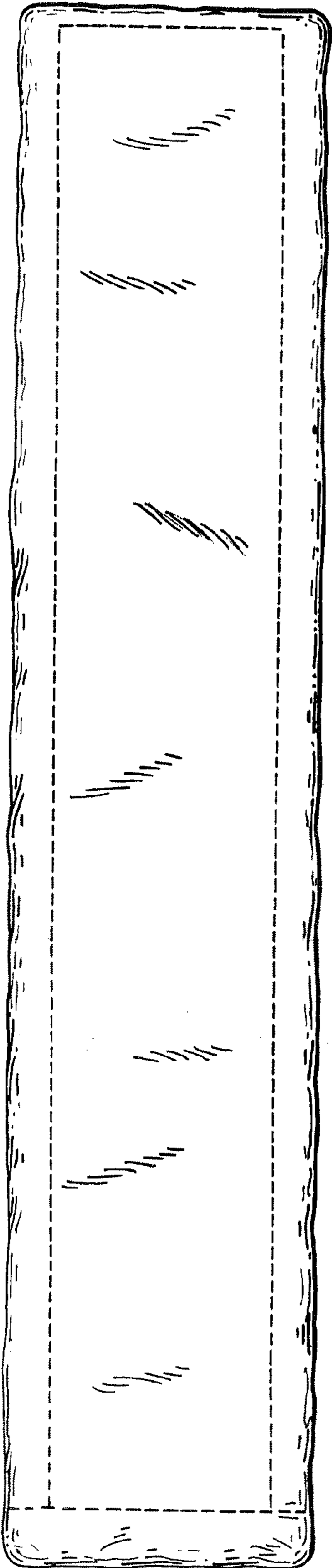


FIG. 4



FIG. 5

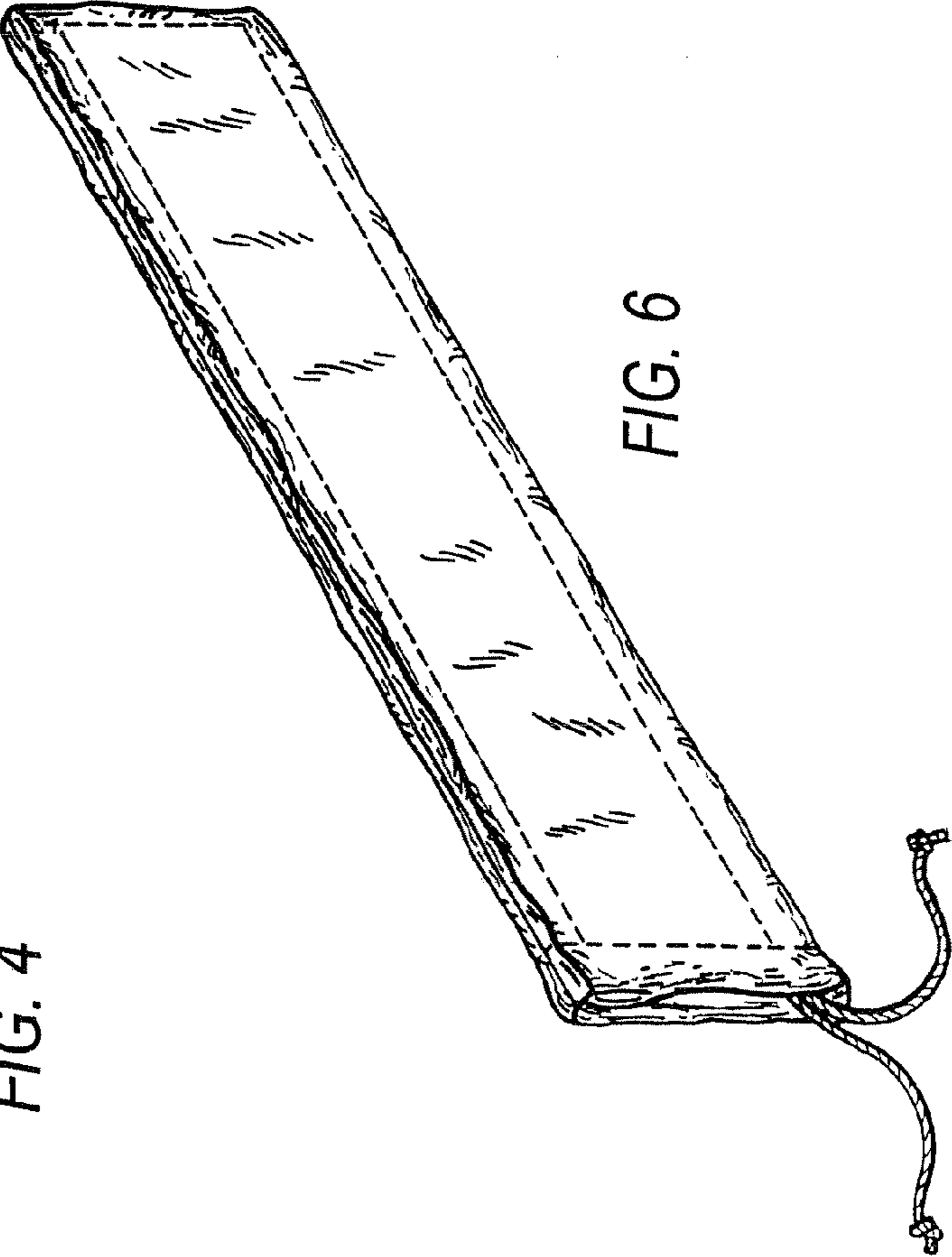


FIG. 6