



US00D586715S

(12) **United States Design Patent**  
**Cortes**

(10) **Patent No.:** **US D586,715 S**

(45) **Date of Patent:** **\*\* Feb. 17, 2009**

(54) **WHEEL**

(75) Inventor: **Juan Cortes**, Riverside, CA (US)

(73) Assignee: **Wheel Pros, Inc.**, Lakewood, CO (US)

(\*\*) Term: **14 Years**

(21) Appl. No.: **29/303,349**

(22) Filed: **Feb. 7, 2008**

(51) **LOC (9) Cl.** ..... **12-16**

(52) **U.S. Cl.** ..... **D12/211**

(58) **Field of Classification Search** ..... D12/204-213;  
301/37.101, 64.101, 65, 64.201

See application file for complete search history.

(56) **References Cited**

U.S. PATENT DOCUMENTS

D214,620 S	7/1969	Barris	
D417,427 S	12/1999	Brown	
D436,339 S	1/2001	Fitzgerald	
D449,267 S	10/2001	Fitzgerald	
D456,757 S	5/2002	Schroeder	
D457,849 S	5/2002	Kataoka	
D459,691 S	7/2002	Takechi	
D460,941 S	7/2002	Muzzarelli	
D461,155 S	8/2002	Takechi	
D465,758 S	11/2002	Plessing	
D467,857 S	12/2002	Chung	
D468,678 S	1/2003	Oh	
D470,812 S *	2/2003	Chu	D12/211
D471,500 S	3/2003	Kataoka	
D471,503 S	3/2003	Baumgartner	
D474,141 S	5/2003	Foose	
D475,962 S	6/2003	Chung	
D478,306 S	8/2003	Brown et al.	
D481,346 S	10/2003	Vian	
D481,347 S	10/2003	Kang	

D484,083 S	12/2003	Tai
D484,084 S	12/2003	Tai
D486,114 S	2/2004	Lai
D487,882 S	3/2004	Cahyono
D488,116 S	4/2004	Chung
D488,422 S	4/2004	Hartanto

(Continued)

*Primary Examiner*—Stacia Cadmus

(74) *Attorney, Agent, or Firm*—Garcia-Zamor IP Law; Ruy M. Garcia-Zamor

(57) **CLAIM**

The ornamental design for a wheel, as shown and described.

**DESCRIPTION**

FIG. 1 is a perspective view of a wheel according to a preferred embodiment of my new design;

FIG. 2 is a front elevational view of the wheel of FIG. 1;

FIG. 3 is a left side elevational view of the wheel of FIG. 1, the right side elevational view of the wheel of FIG. 1 being a mirror image of FIG. 3;

FIG. 4 is a top plan view of the wheel of FIG. 1;

FIG. 5 is a bottom plan view of the wheel of FIG. 1;

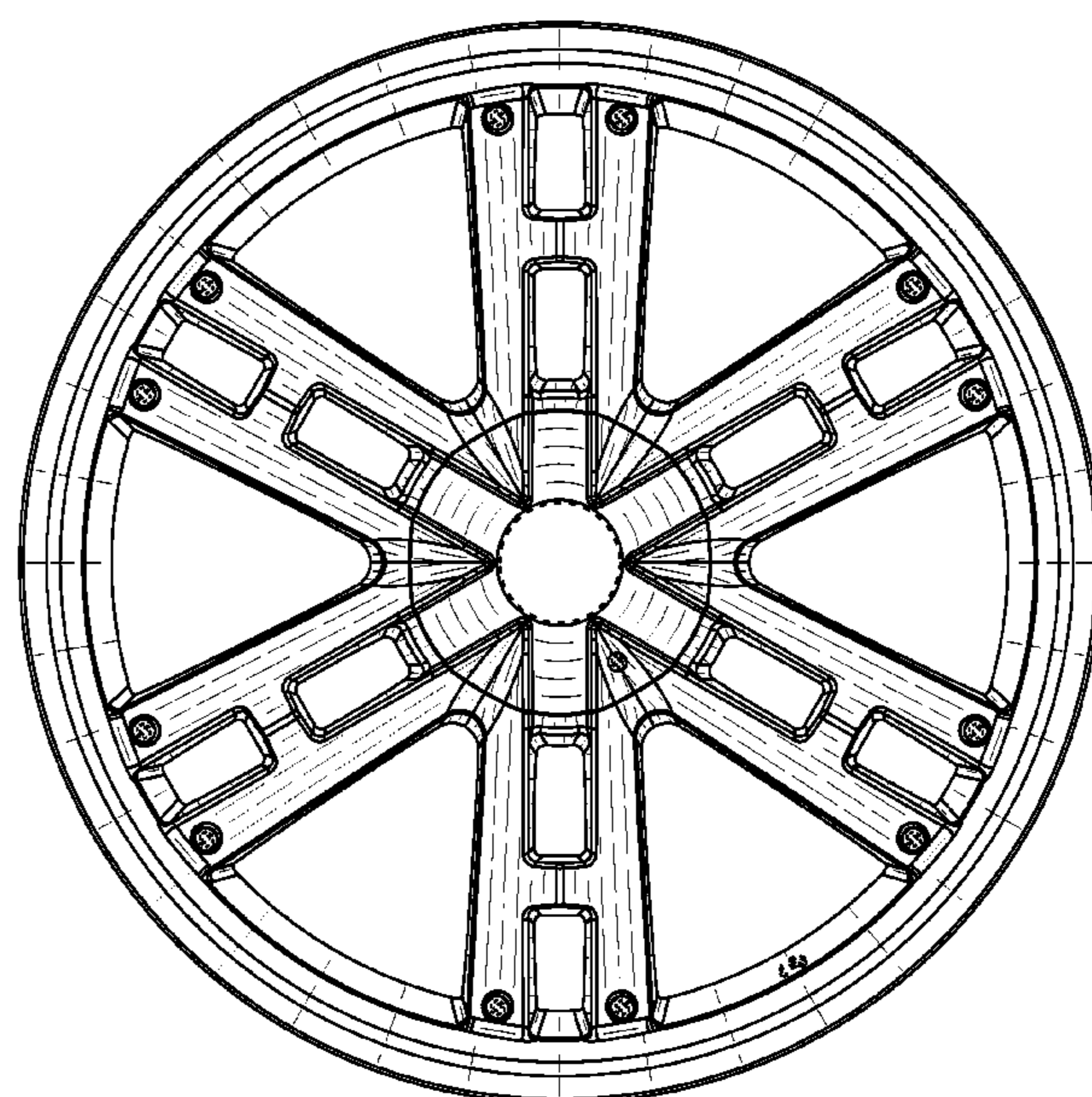
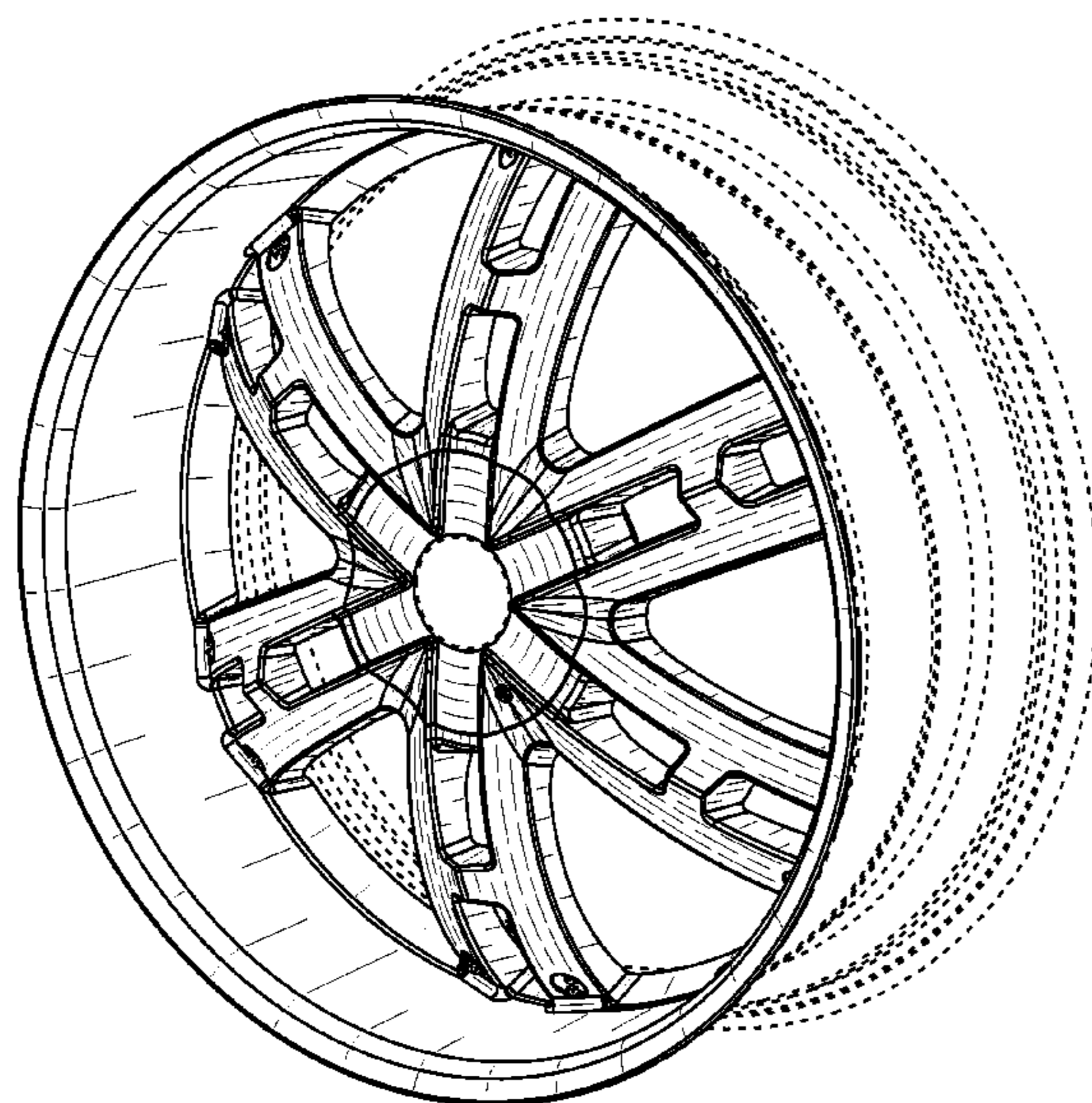
FIG. 6 is a rear elevational view of the wheel of FIG. 1;

FIG. 7 is a perspective view of a wheel according to a second preferred embodiment of my new design; and,

FIG. 8 is a front elevational view of the wheel of FIG. 7; Portions of the wheel not shown in FIGS. 7 and 8 are disclaimed as forming no part of the claimed design.

The broken lines in FIGS. 1-8 represent environment and are for illustrative purposes only and do not constitute part of the claimed design.

**1 Claim, 8 Drawing Sheets**



# US D586,715 S

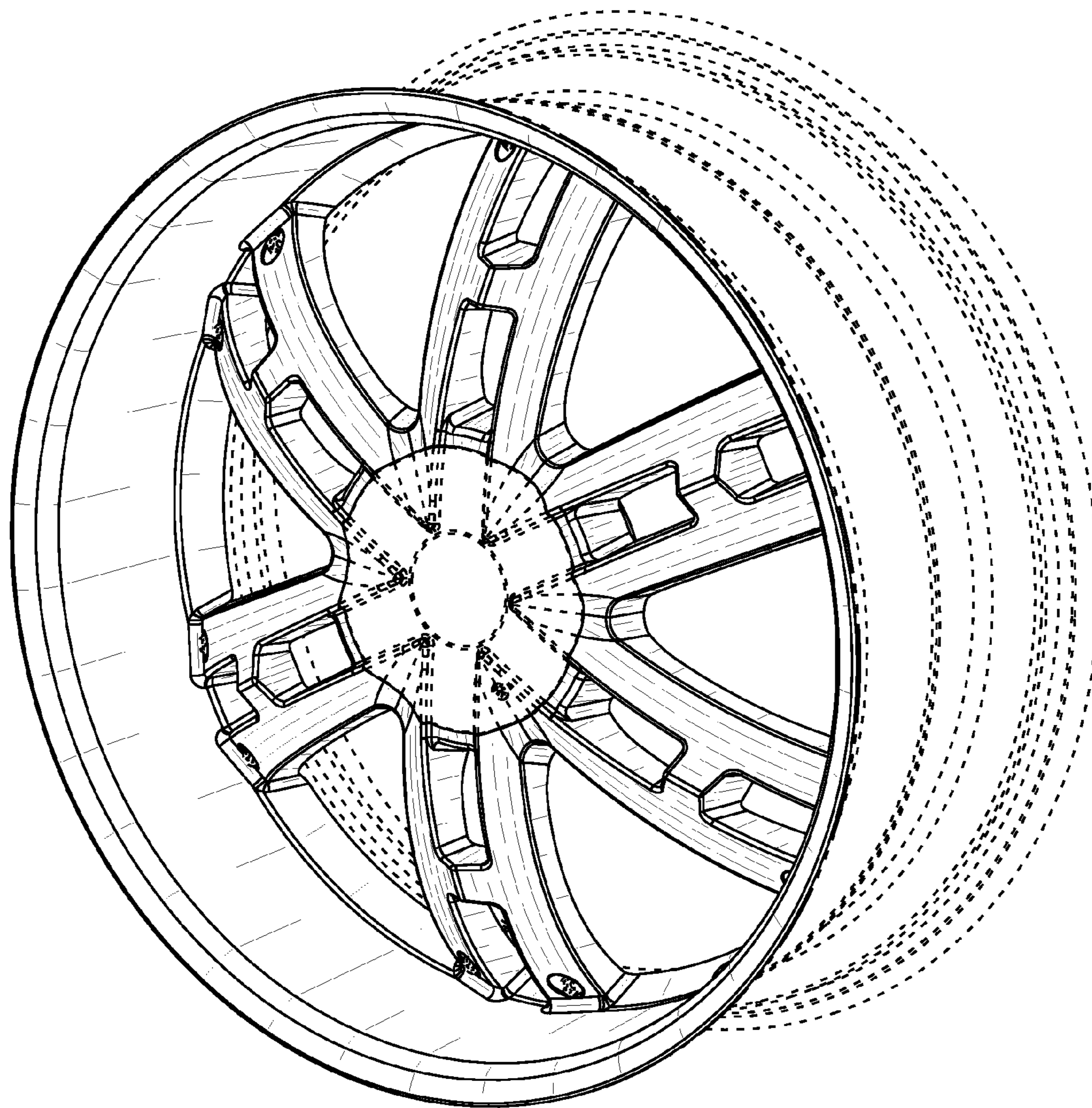
Page 2

## U.S. PATENT DOCUMENTS

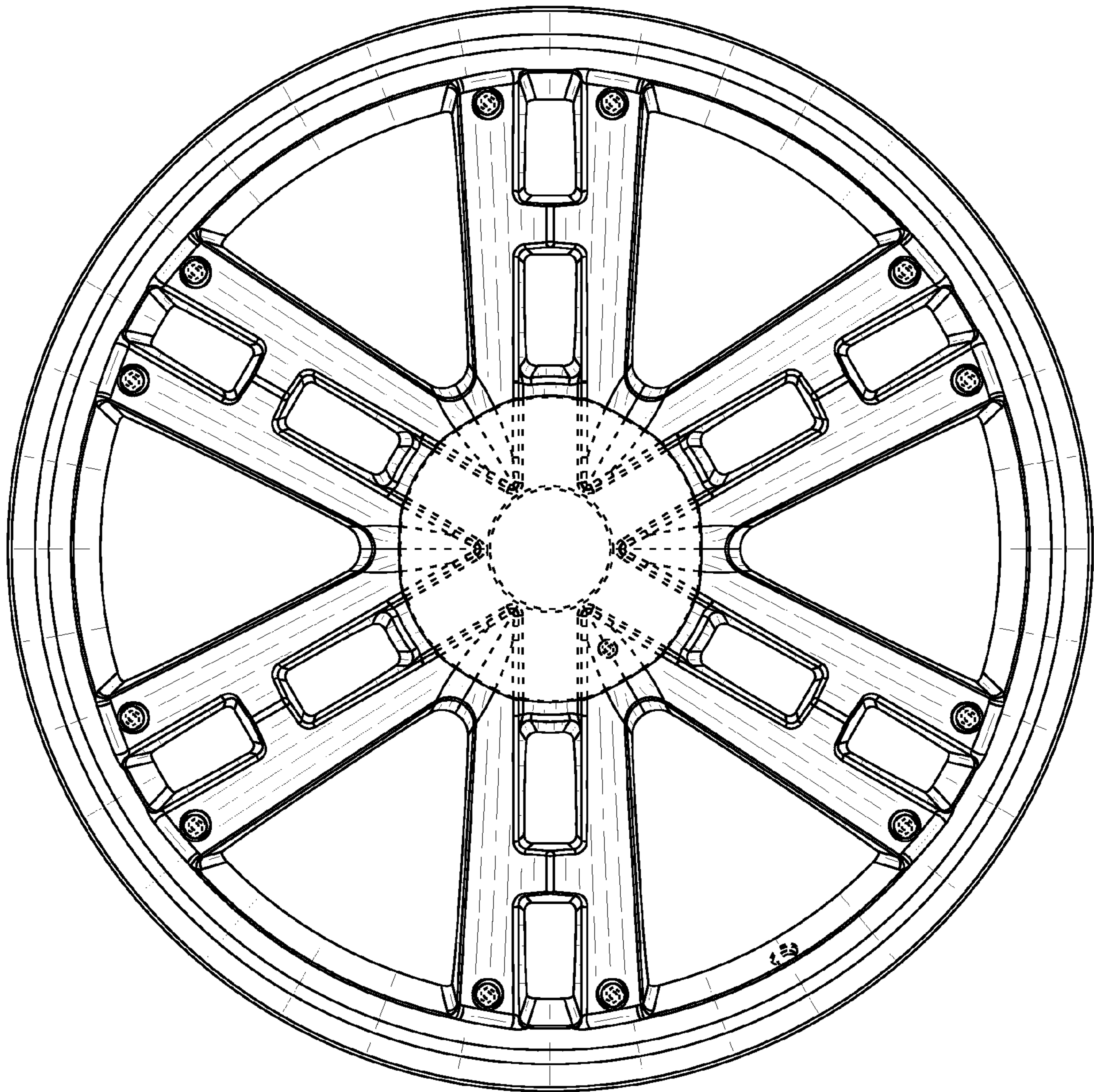
D488,762 S	4/2004	Cahyono	
D488,763 S	4/2004	Takechi	
D490,040 S	5/2004	Foose	
D492,234 S	6/2004	Kataoka	
D492,240 S	6/2004	Suciu	
D493,406 S	7/2004	Kataoka	
D494,523 S	8/2004	Koenigsberg	
D495,285 S	8/2004	Phillips	
D497,133 S	10/2004	Cheng	
D497,134 S	10/2004	Anerson et al.	
D497,139 S	10/2004	Anderson et al.	
D499,060 S	11/2004	Cahyono	
D501,817 S *	2/2005	Pfeiffer	..... D12/211
D504,099 S	4/2005	Boyer	
D505,651 S	5/2005	Arellano et al.	
D506,429 S	6/2005	Arellano et al.	
D507,222 S	7/2005	Arellano et al.	
D513,726 S	1/2006	Kamimura	
D516,492 S *	3/2006	Tirado	..... D12/211
D518,766 S *	4/2006	Burns	..... D12/211
D526,267 S *	8/2006	Looho	..... D12/211
D527,699 S	9/2006	Kiesel	
D529,430 S *	10/2006	Hsu	..... D12/209
D540,237 S *	4/2007	Kim	..... D12/209
D543,493 S *	5/2007	Kim	..... D12/209
D548,165 S *	8/2007	Young	..... D12/211
D548,665 S *	8/2007	Sanschagrin et al.	..... D12/209
D551,148 S *	9/2007	Musser	..... D12/211
D553,070 S *	10/2007	Tirado	..... D12/211

\* cited by examiner

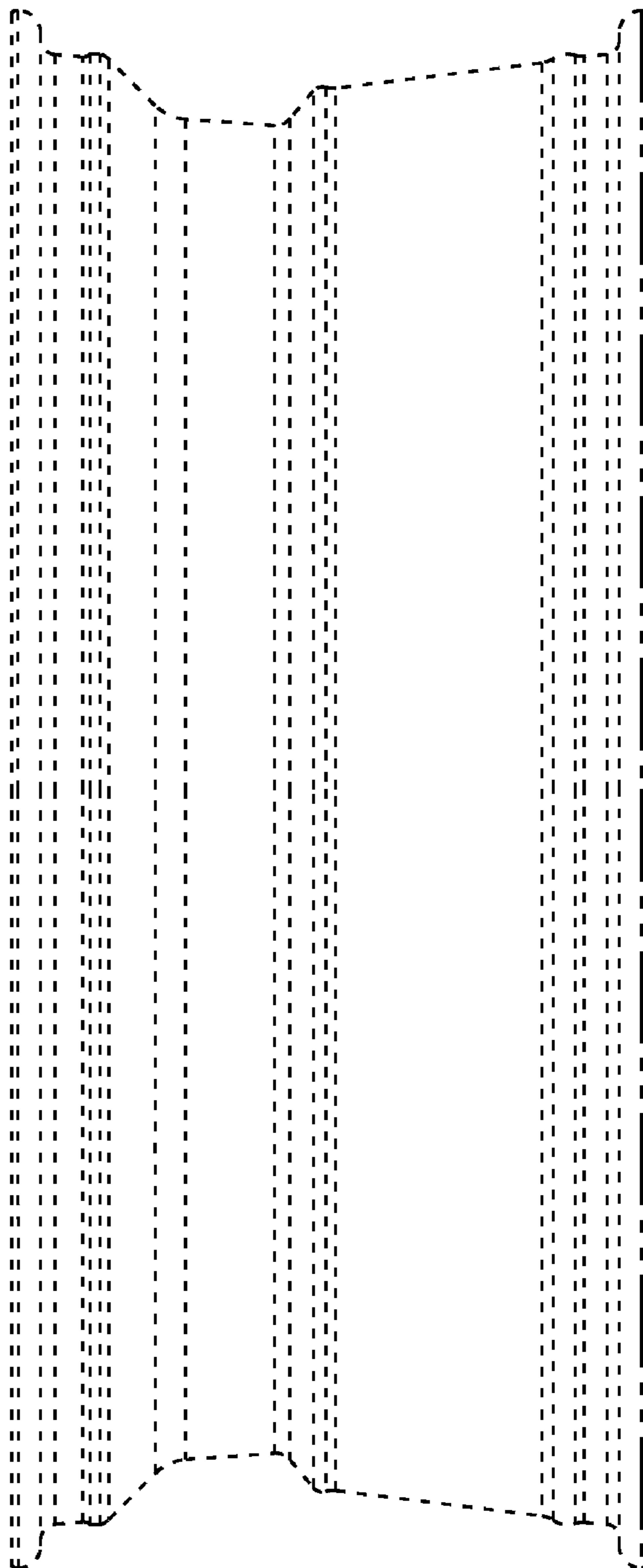




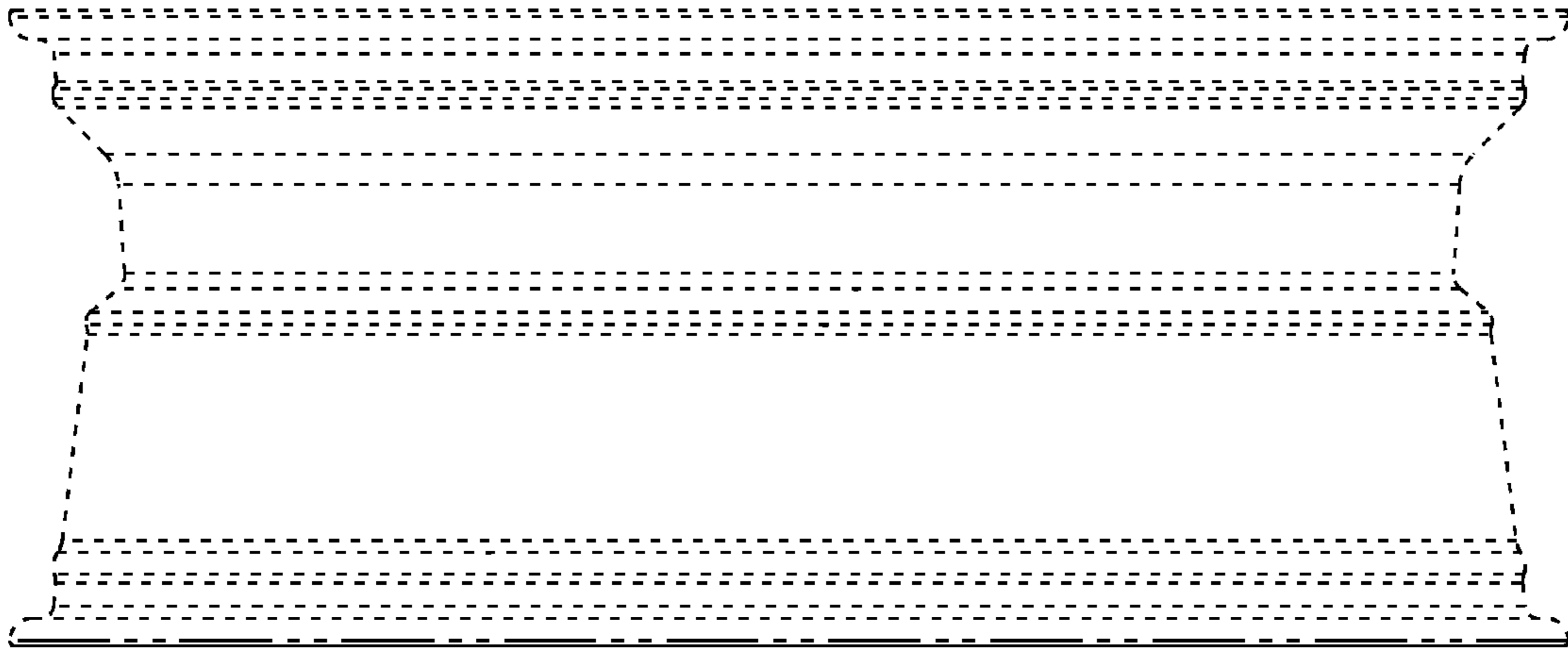
**FIG. 1**



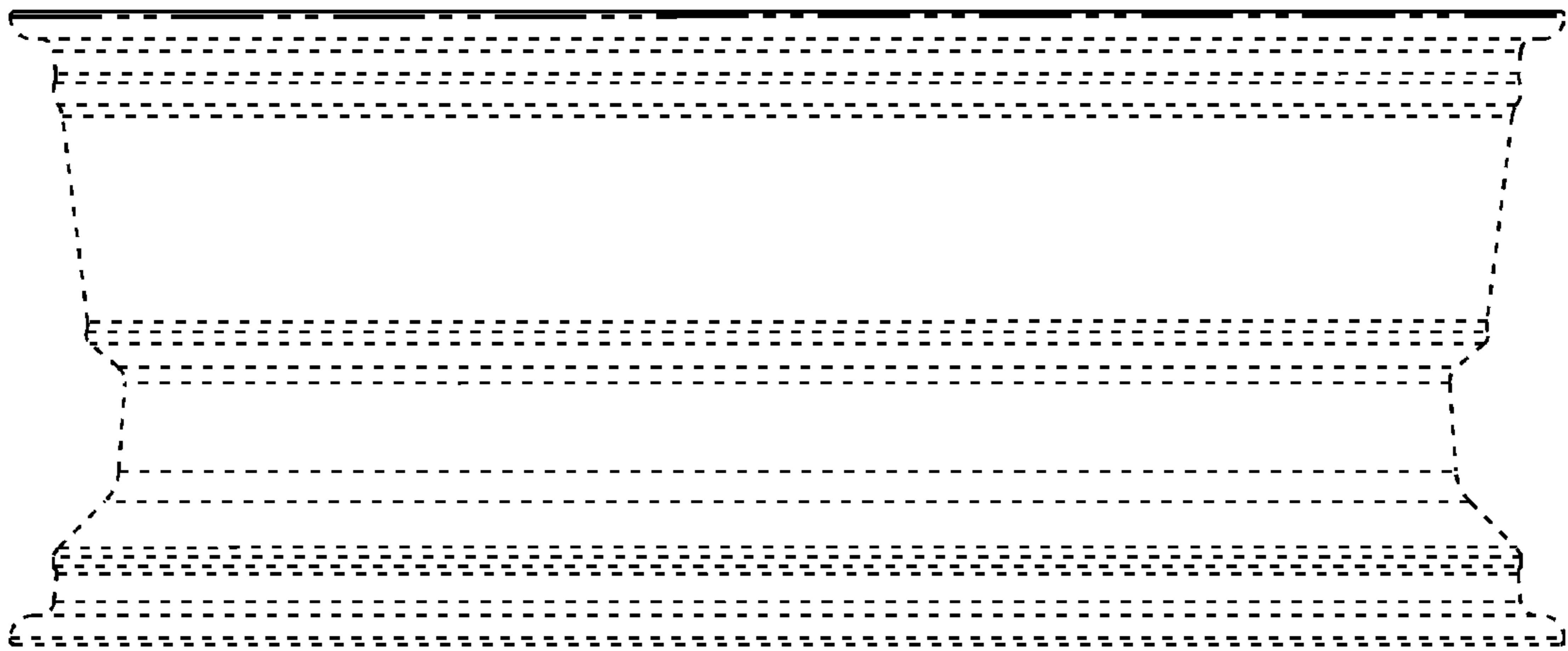
**FIG. 2**



**FIG. 3**

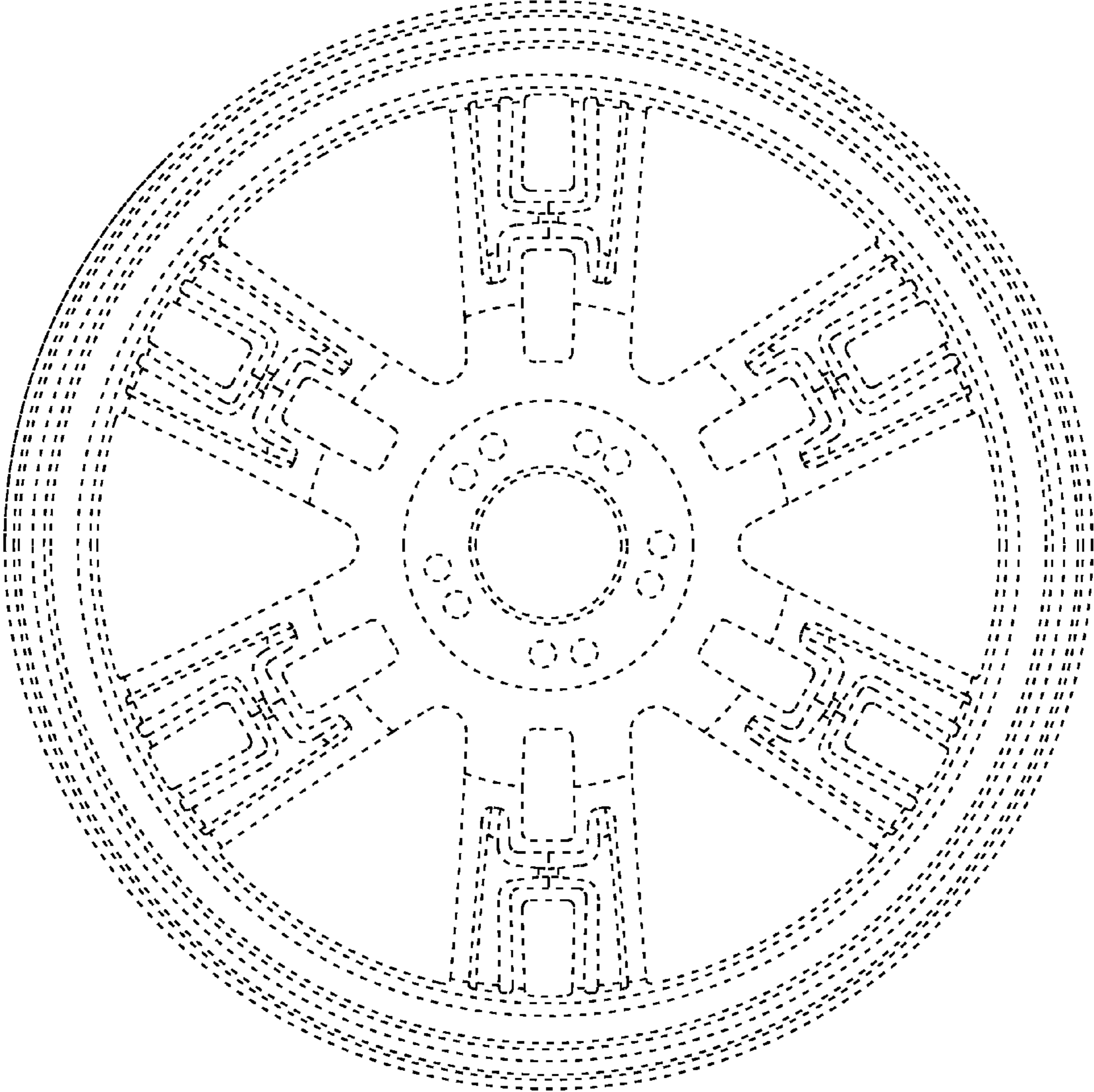


**FIG. 4**



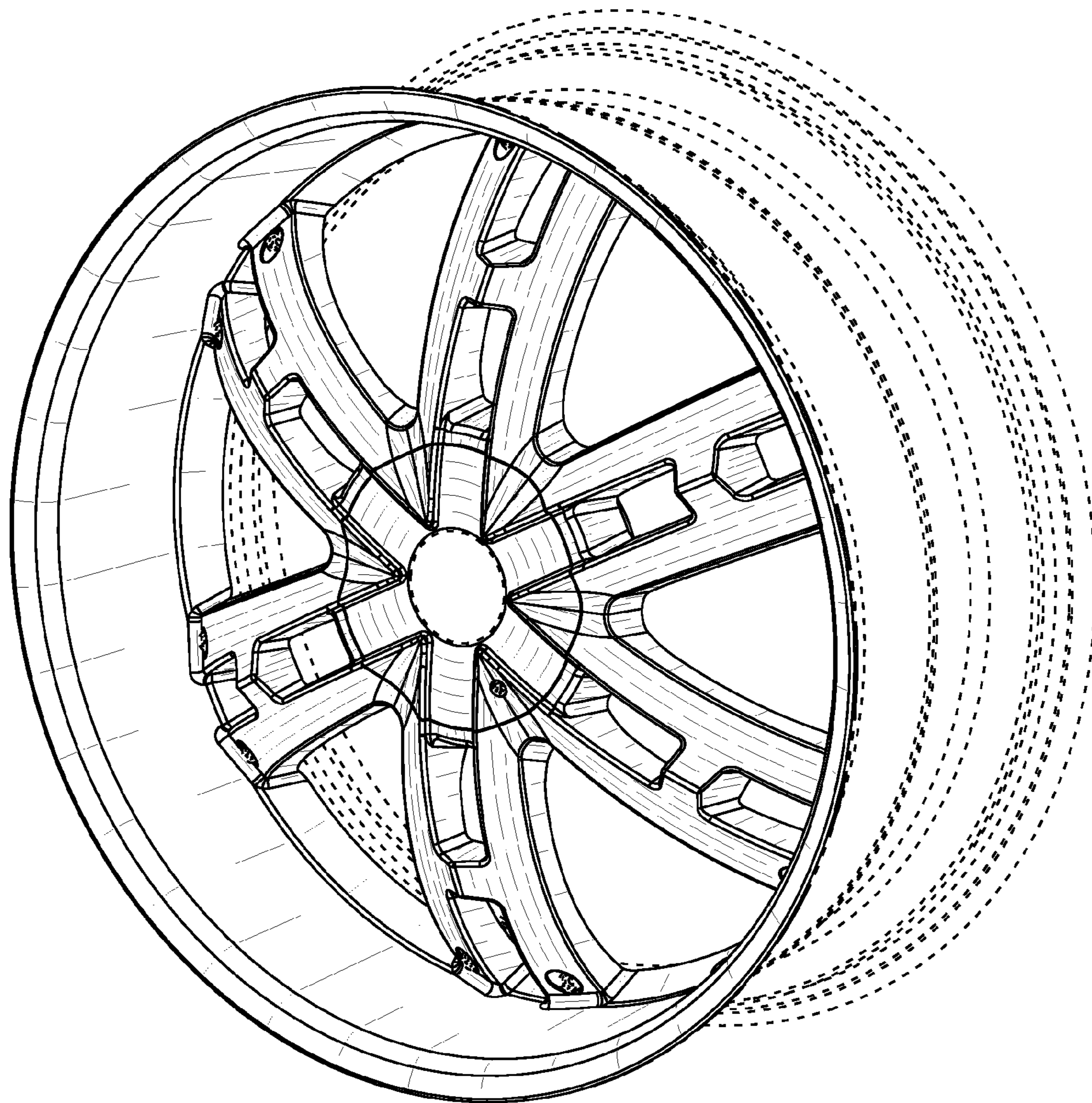
**FIG. 5**



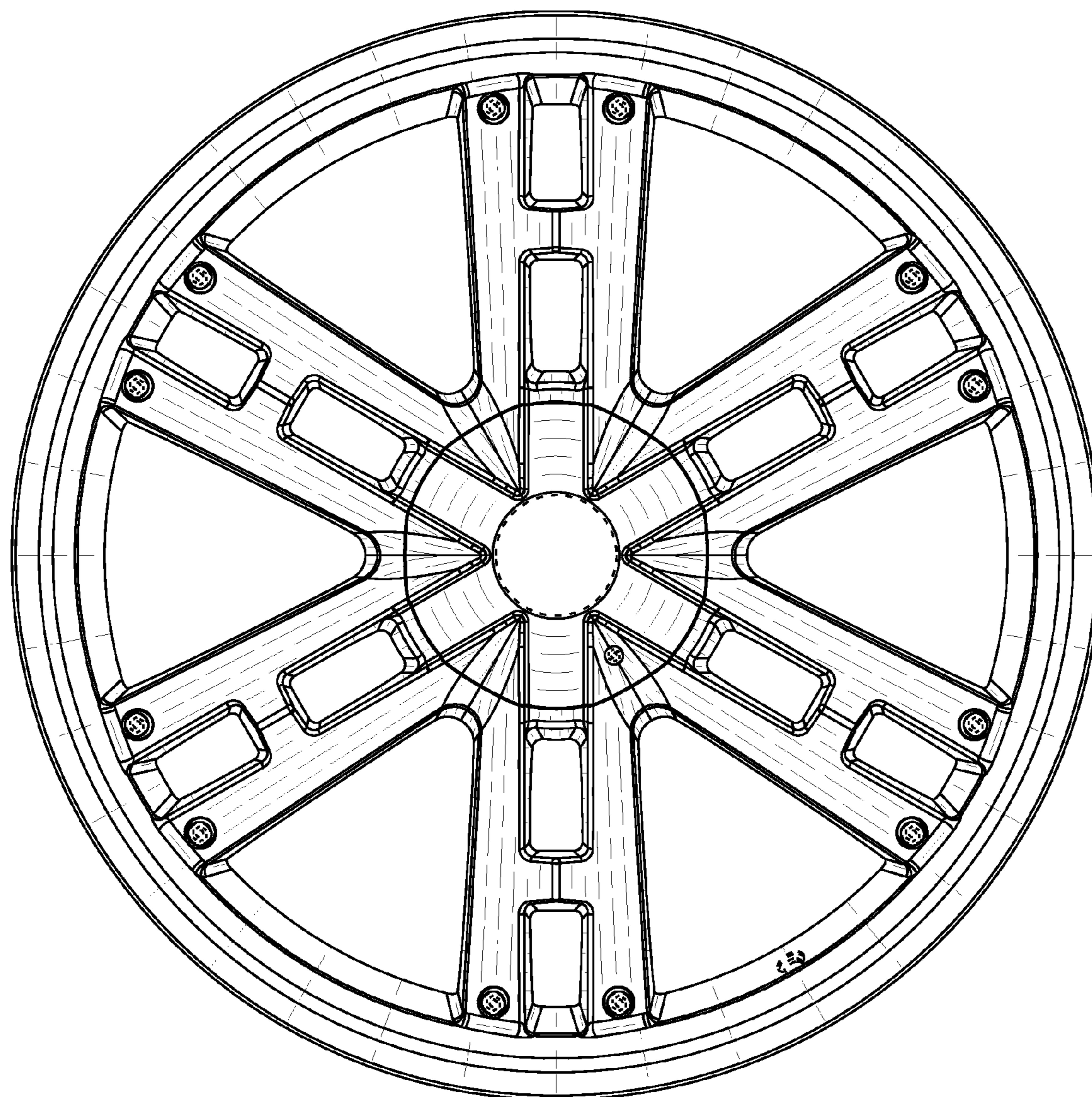


**FIG. 6**





**FIG. 7**



**FIG. 8**