



US00D586713S

(12) **United States Design Patent**
Habib

(10) **Patent No.:** **US D586,713 S**

(45) **Date of Patent:** **** Feb. 17, 2009**

(54) **SIDE MIRROR FOR A VEHICLE**

(75) Inventor: **Karim Habib**, Munich (DE)

(73) Assignee: **Bayerische Motoren Werke Aktiengesellschaft**, Munich (DE)

(**) Term: **14 Years**

(21) Appl. No.: **29/309,037**

(22) Filed: **Jun. 12, 2008**

(30) **Foreign Application Priority Data**

Dec. 13, 2007 (DE) 40706251

(51) **LOC (9) Cl.** **12-16**

(52) **U.S. Cl.** **D12/187**

(58) **Field of Classification Search** D12/187-189,
D12/96; D6/300, 309; 359/838, 841, 843,
359/844, 868, 871, 872, 604, 881, 514, 866;
248/479-483, 475.1

See application file for complete search history.

(56) **References Cited**

U.S. PATENT DOCUMENTS

7,129,829	B2 *	10/2006	Chan	340/475
7,168,830	B2 *	1/2007	Pastrick et al.	362/494
D553,547	S *	10/2007	Konaka	D12/187
7,314,285	B2 *	1/2008	Ruse et al.	359/841
D569,774	S *	5/2008	Gresens et al.	D12/187
2004/0196578	A1 *	10/2004	Dumont et al.	359/877
2005/0200980	A1 *	9/2005	Suga	359/819
2005/0248863	A1 *	11/2005	Kawanishi	359/877
2005/0254153	A1 *	11/2005	Kawanishi	359/879
2006/0109575	A1 *	5/2006	Radu et al.	359/877
2007/0201153	A1 *	8/2007	Tanaka	359/838

* cited by examiner

Primary Examiner—Robert M Spear
Assistant Examiner—Katrina A Kile
(74) *Attorney, Agent, or Firm*—Crowell & Moring LLP

(57) **CLAIM**

The ornamental design for a side mirror for a vehicle, as shown and described.

DESCRIPTION

FIG. 1 is a front perspective view of a first embodiment of a side mirror for a vehicle according to my novel design;

FIG. 2 is a rear perspective view thereof;

FIG. 3 is a rear view thereof;

FIG. 4 is a front view thereof;

FIG. 5 is a top thereof;

FIG. 6 is a bottom view thereof;

FIG. 7 is a right side view thereof; and

FIG. 8 is left side view thereof.

FIG. 9 is a front perspective view of a second embodiment of the side mirror for a vehicle according to my novel design;

FIG. 10 is a rear perspective view thereof;

FIG. 11 is a rear view thereof;

FIG. 12 is a front view thereof;

FIG. 13 is a top thereof;

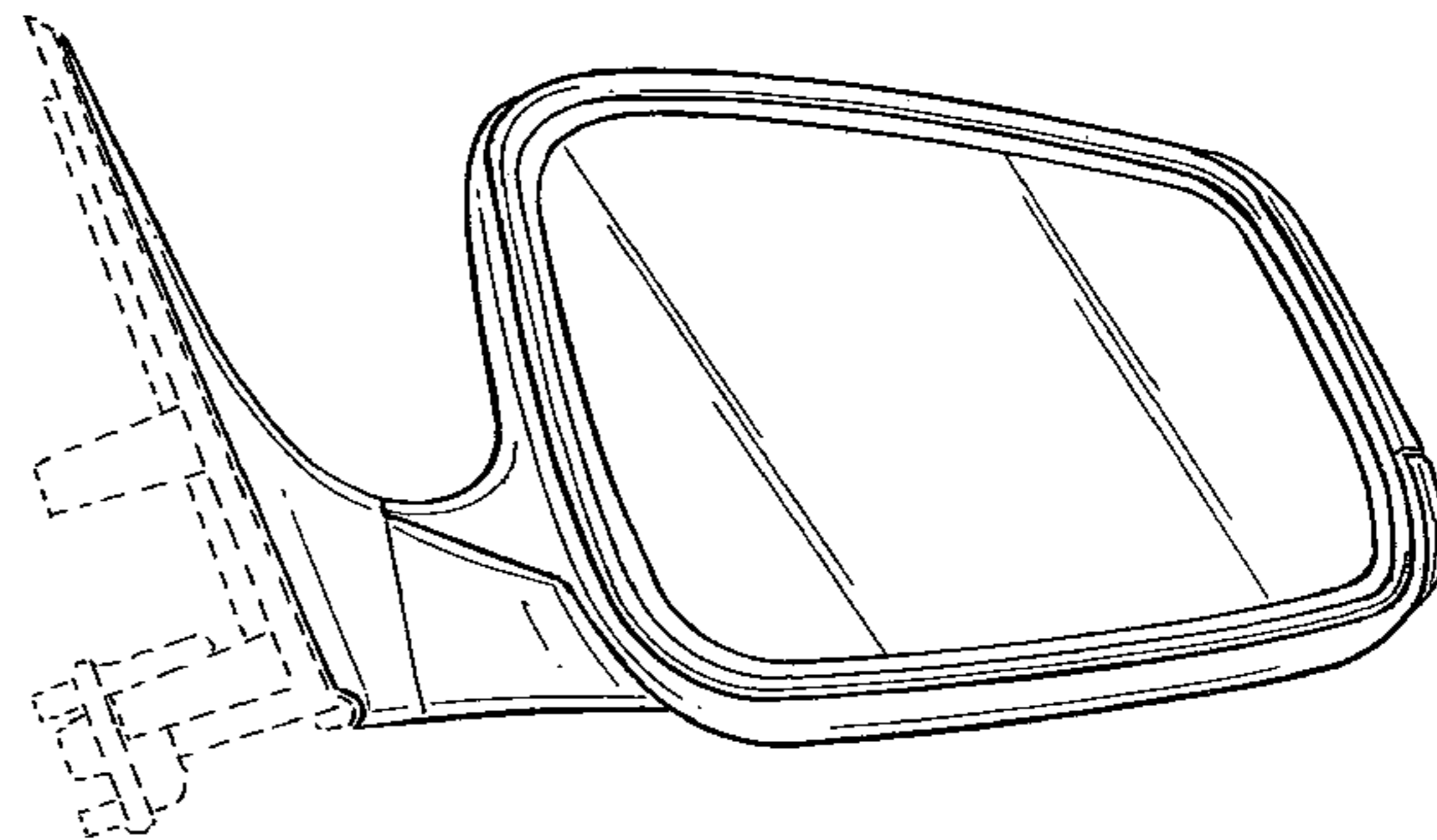
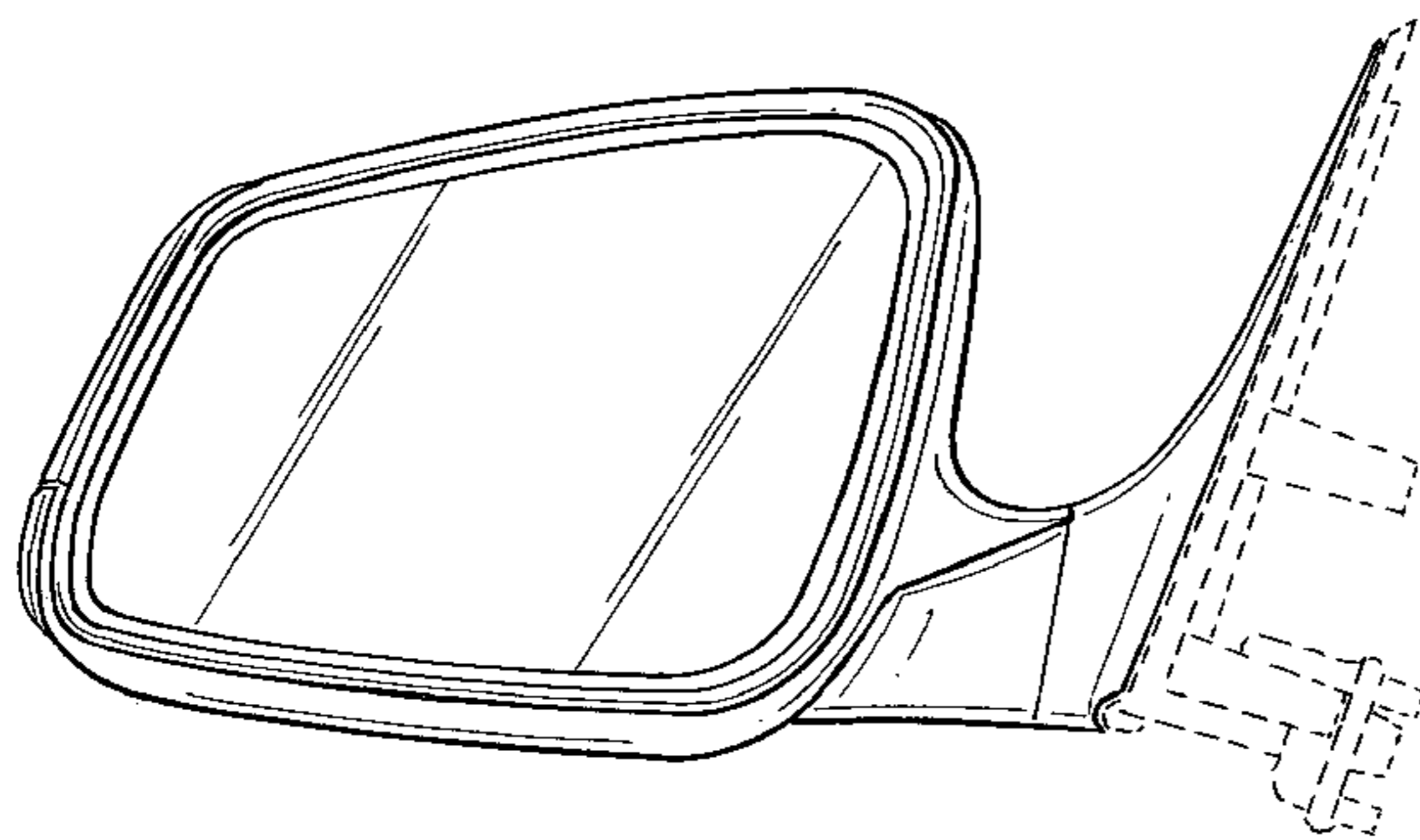
FIG. 14 is a bottom view thereof;

FIG. 15 is a left side view thereof; and,

FIG. 16 is right side view thereof.

In the drawings, the broken lines show attachment elements of a side view mirror for a vehicle that form no part of the claimed design.

1 Claim, 8 Drawing Sheets



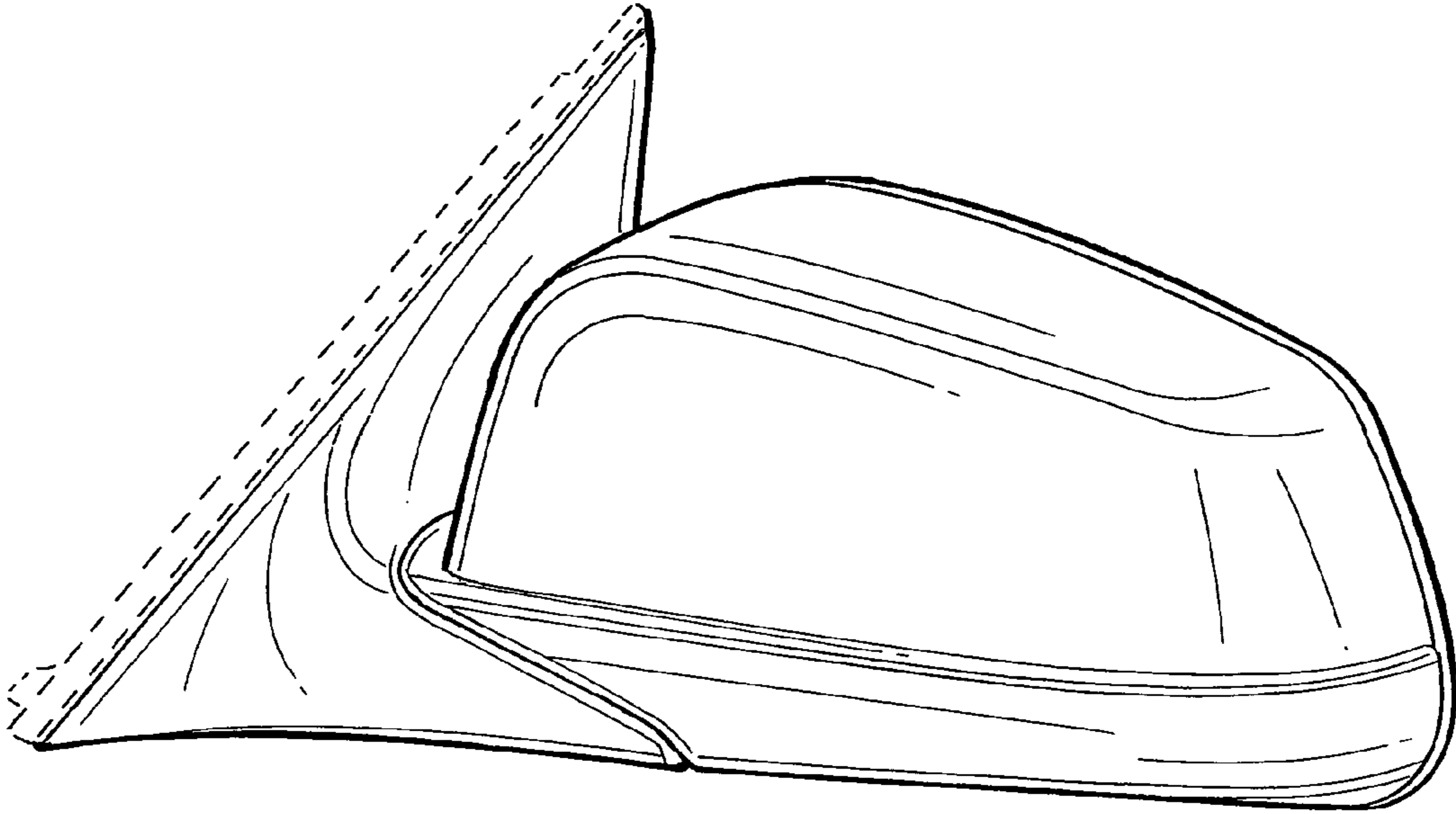


FIG. 1

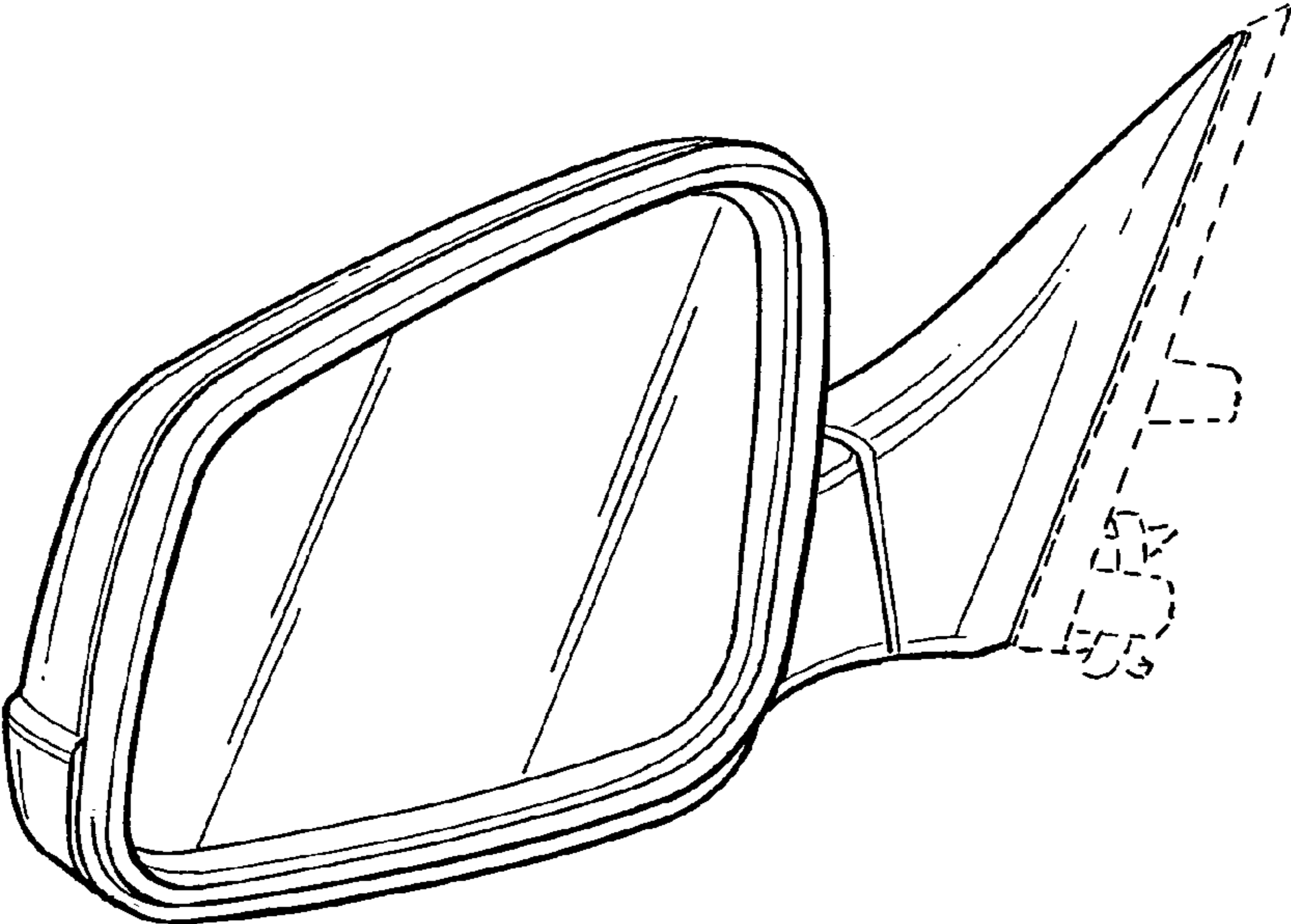


FIG. 2

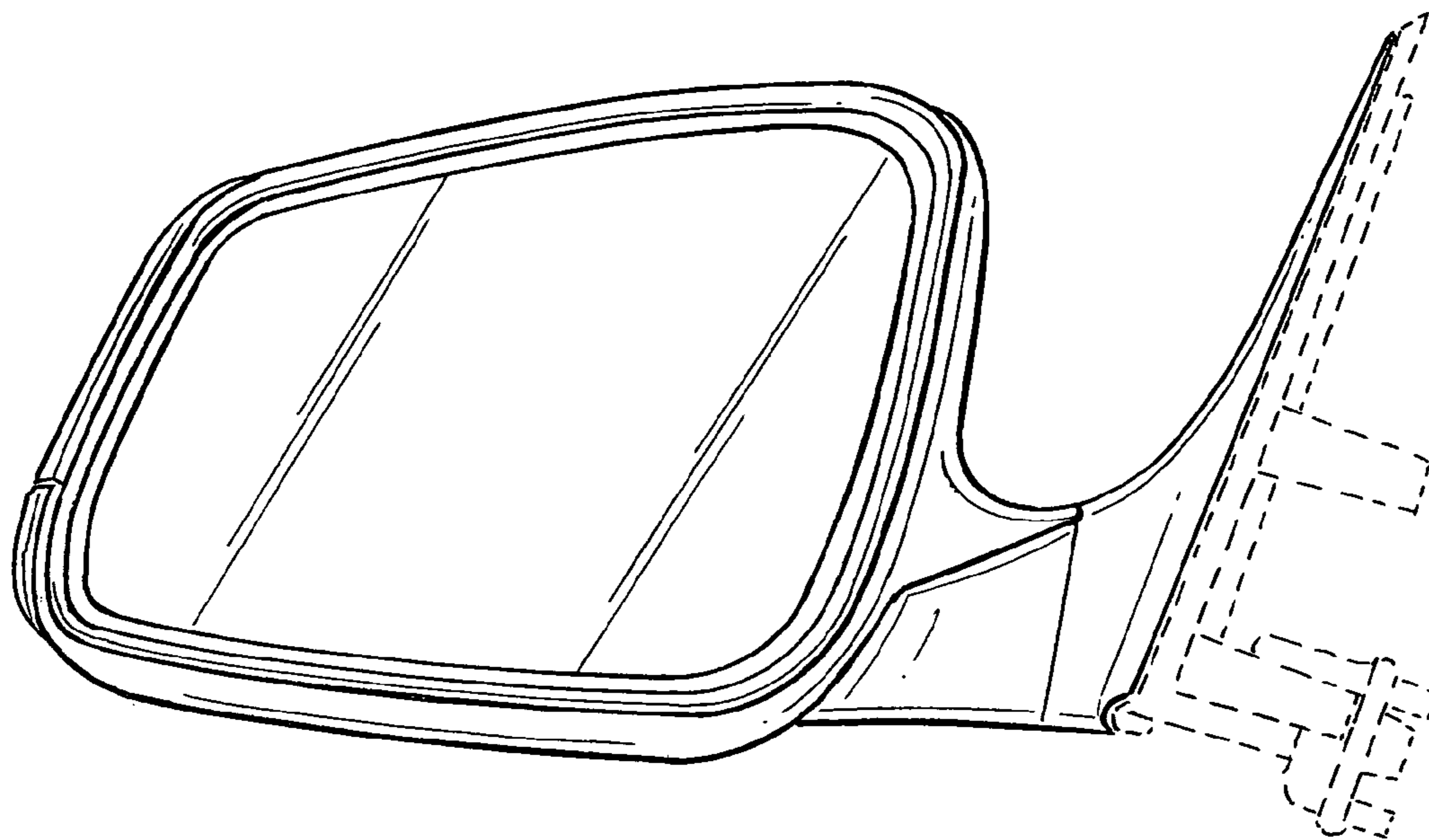


FIG. 3

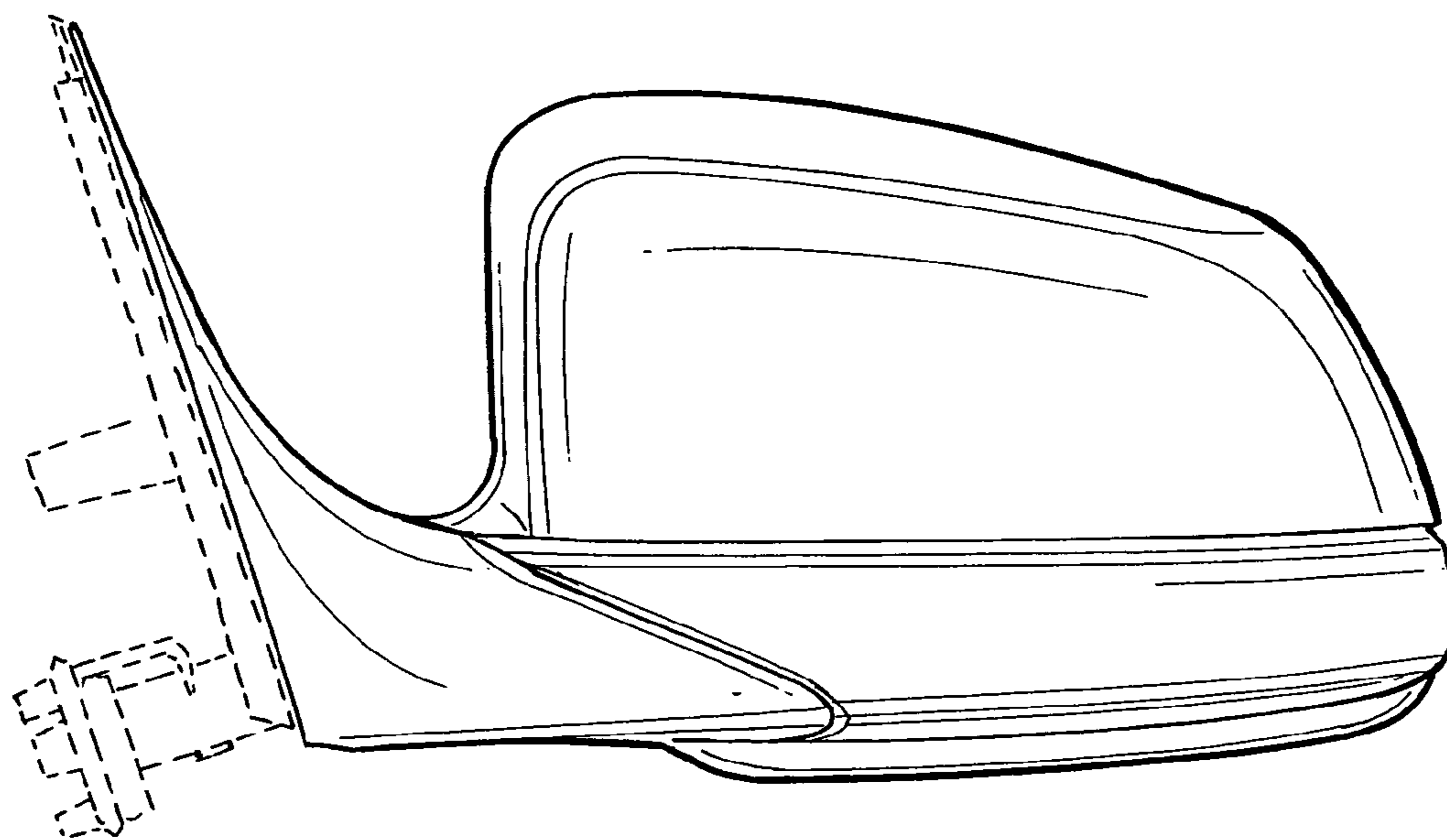


FIG. 4

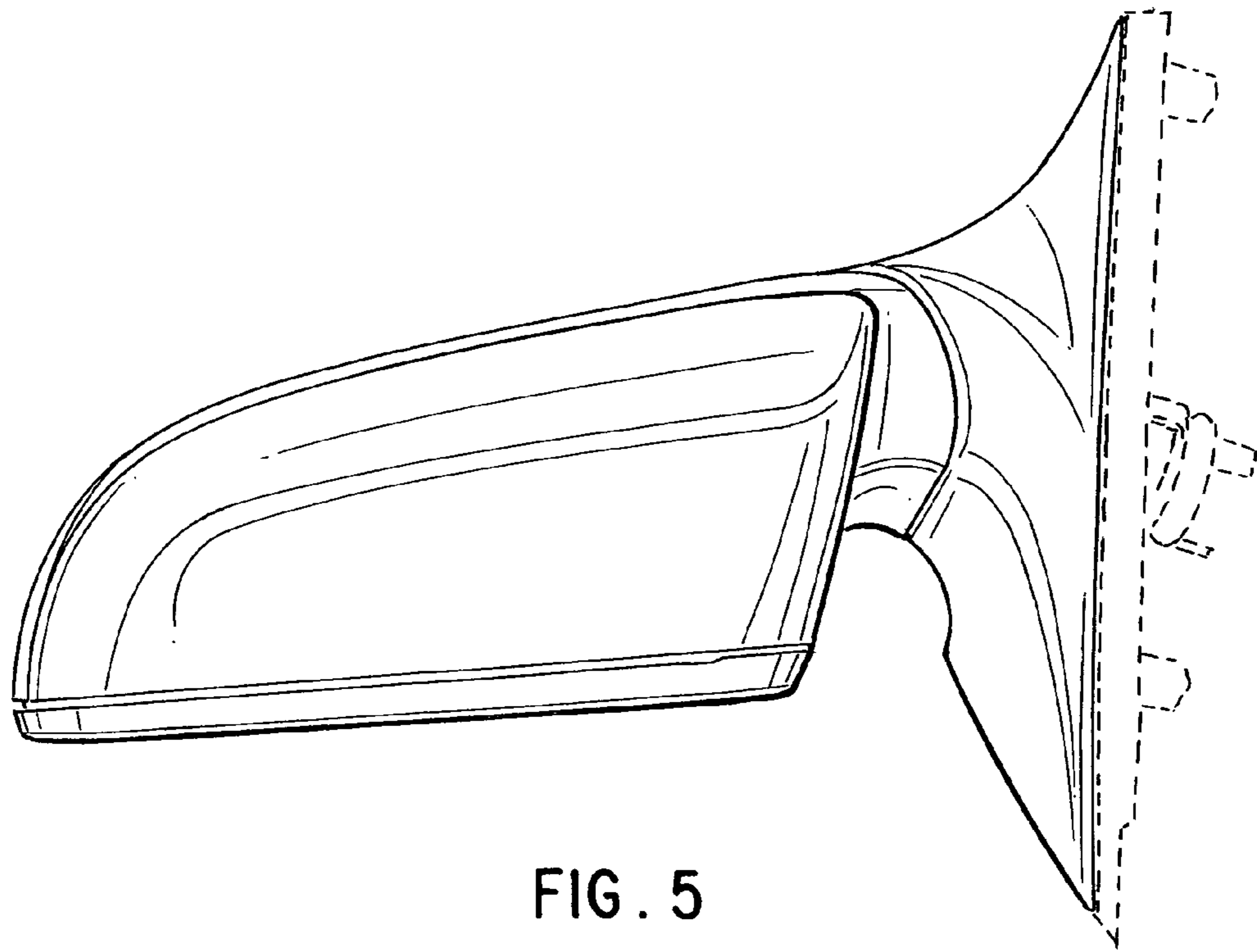


FIG. 5

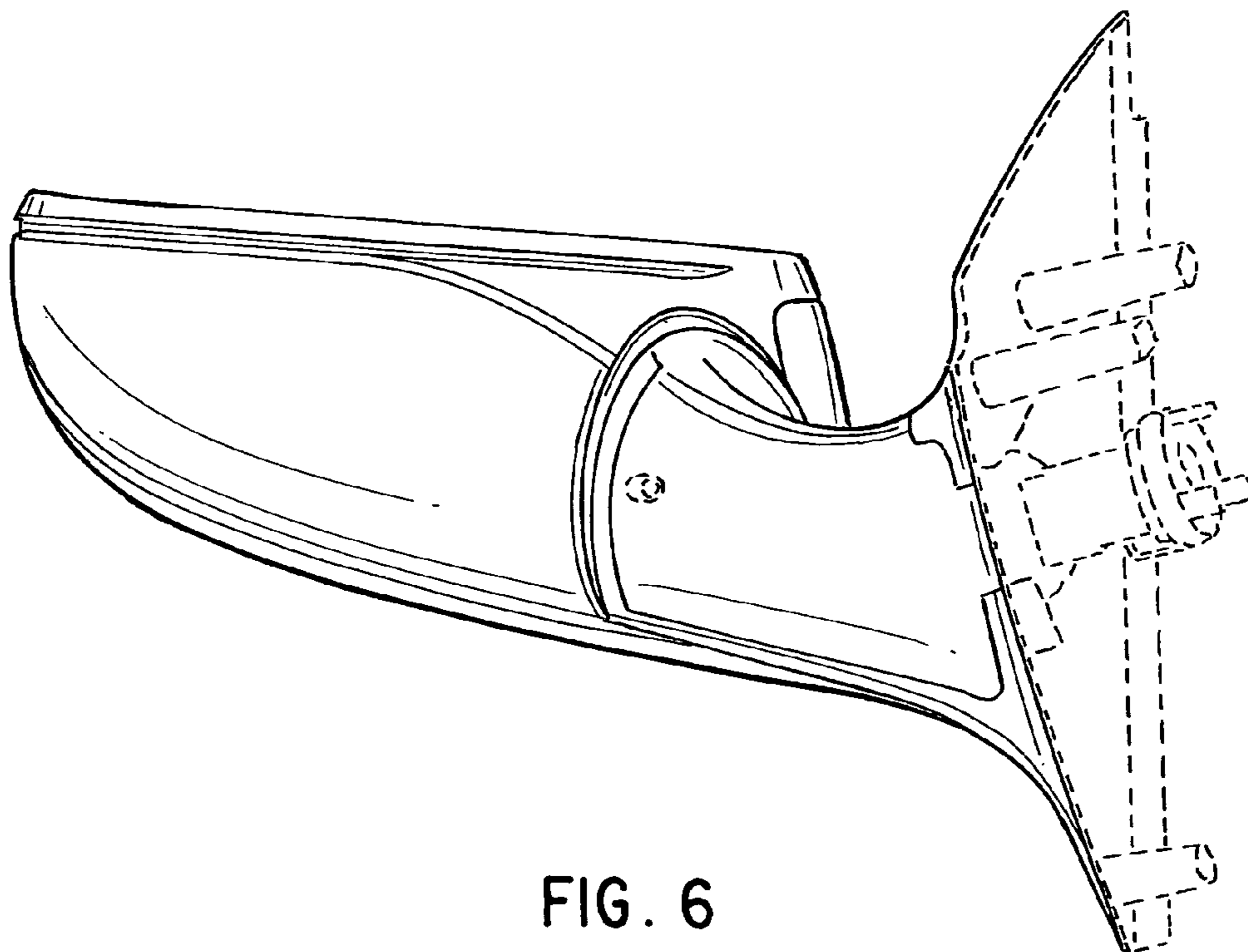


FIG. 6

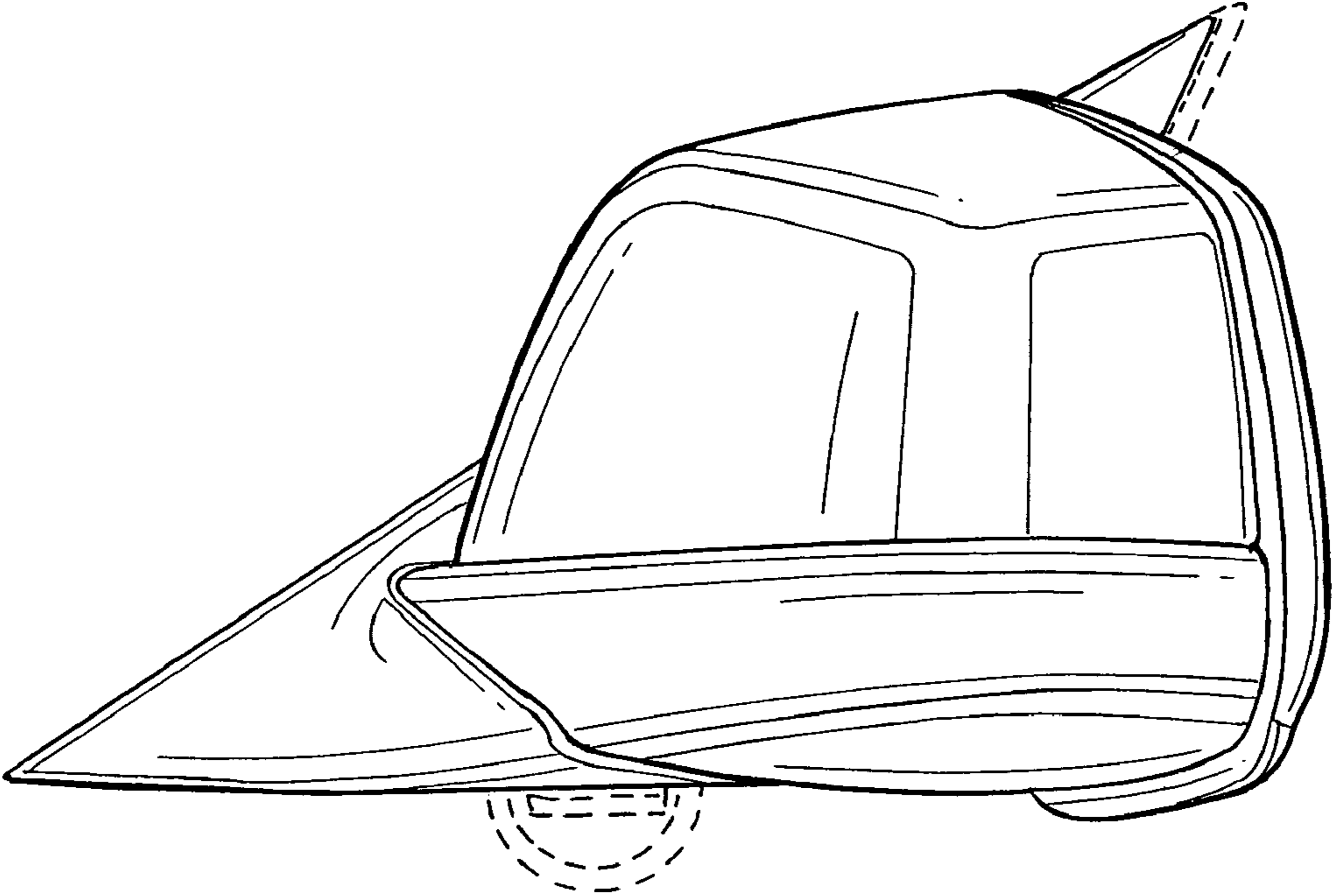


FIG. 7

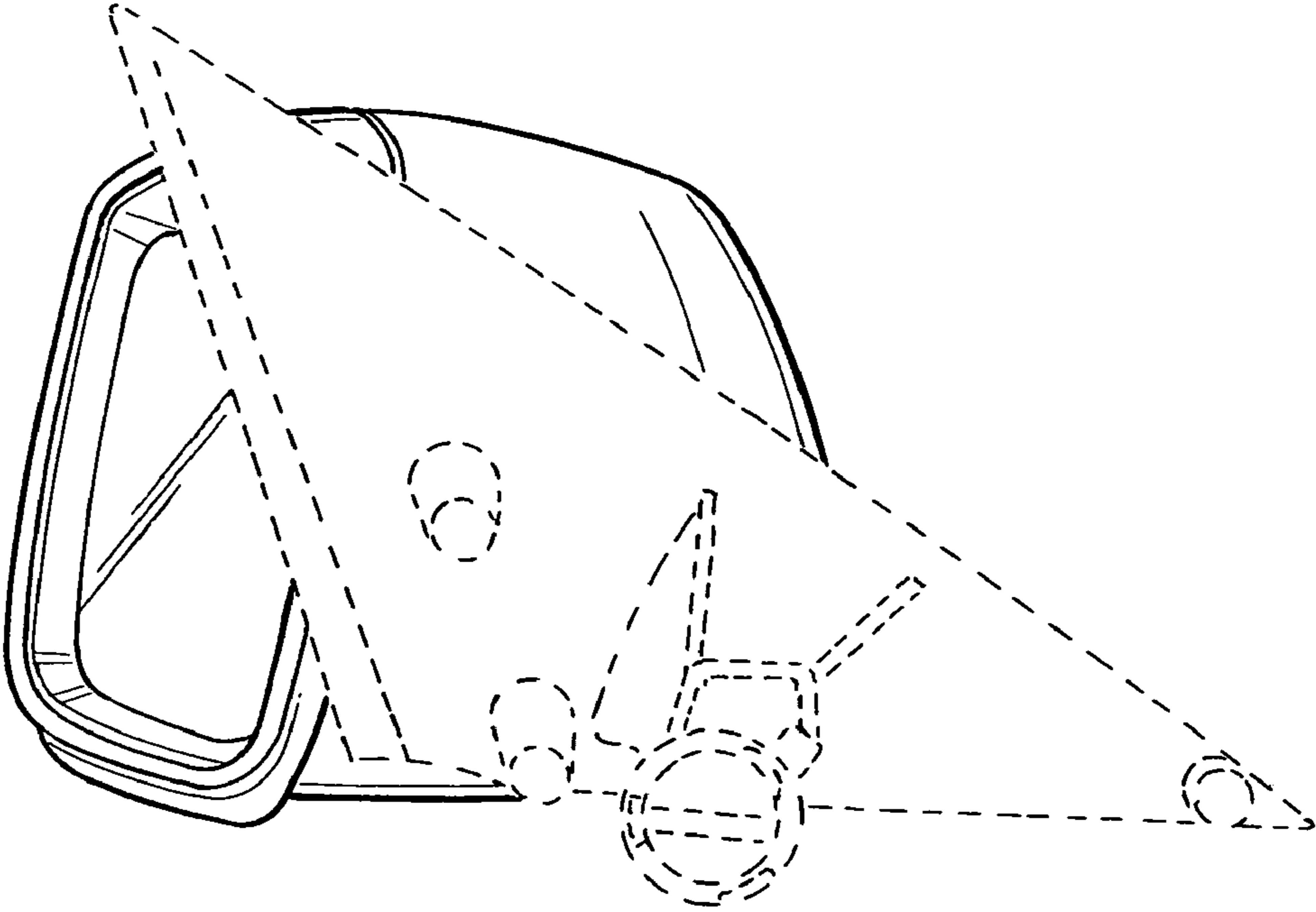


FIG. 8

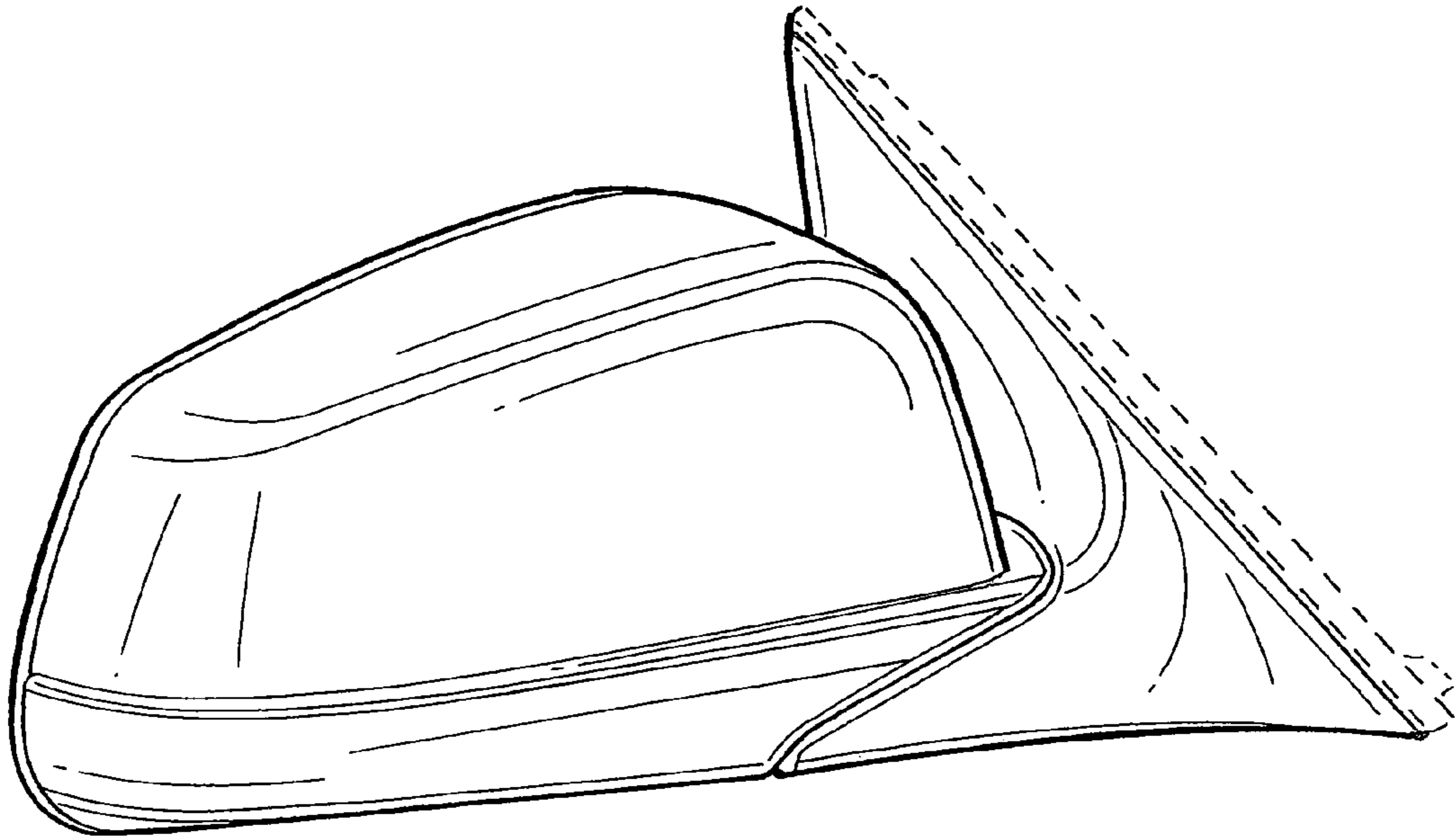


FIG. 9

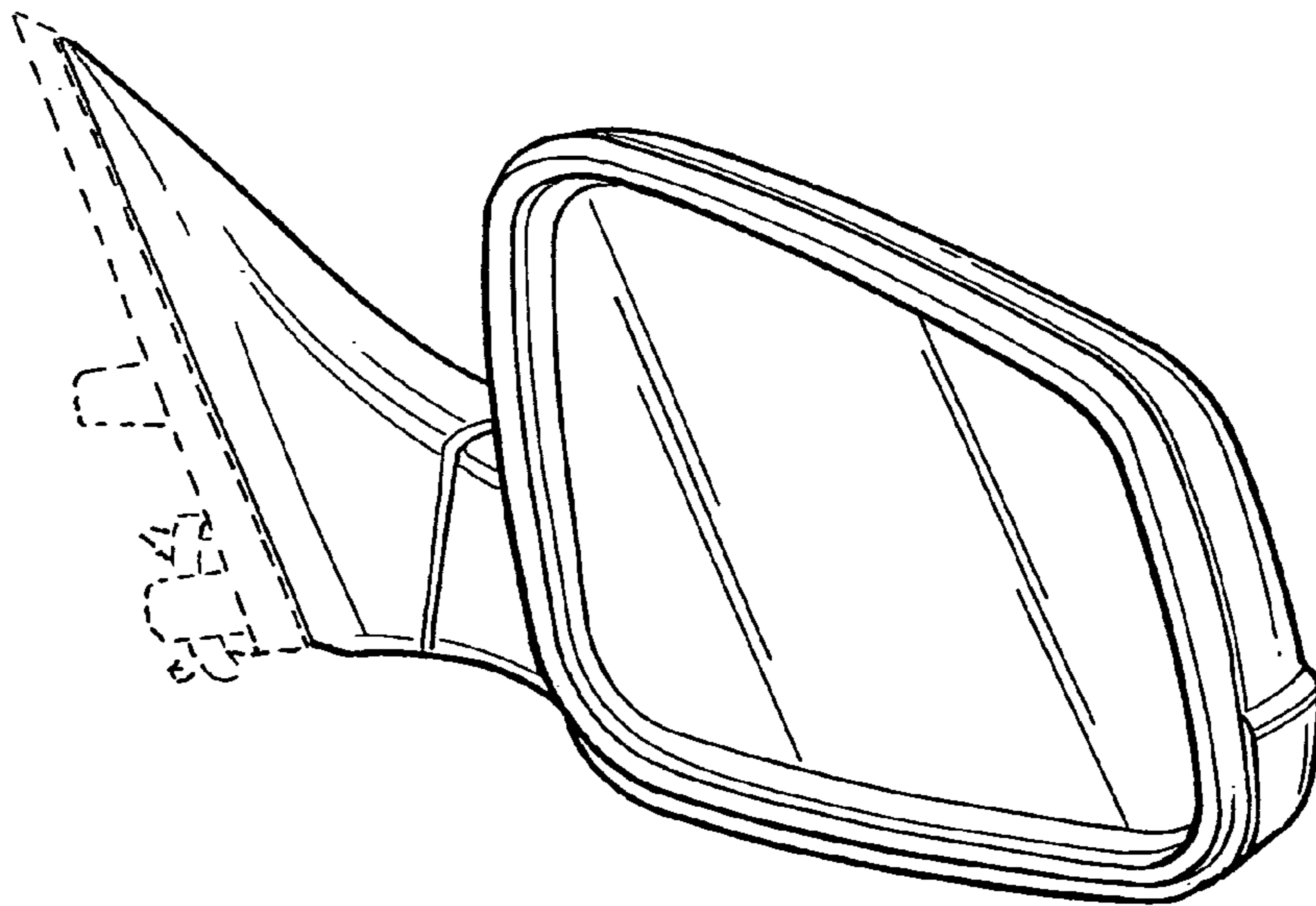


FIG. 10

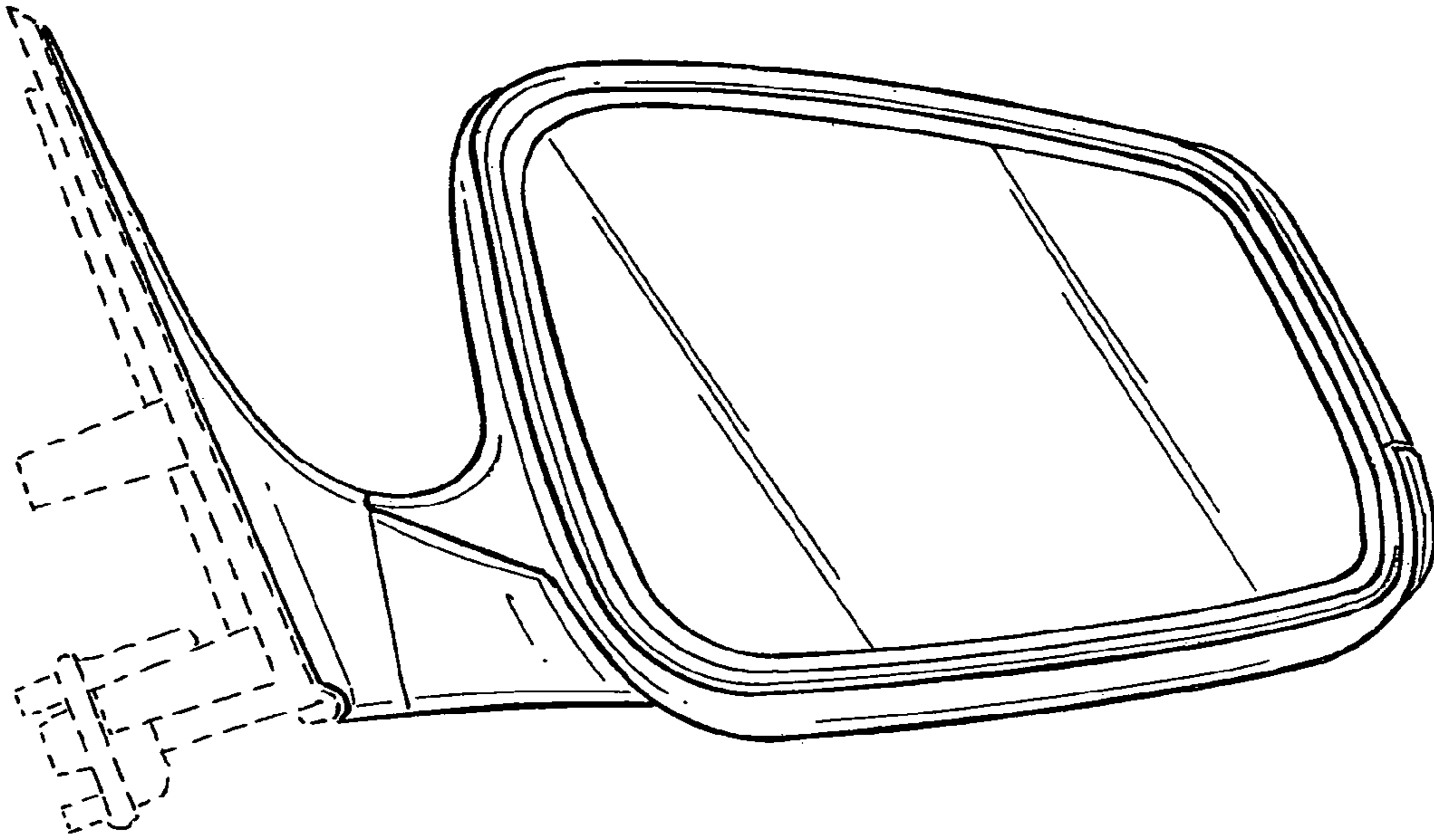


FIG. 11

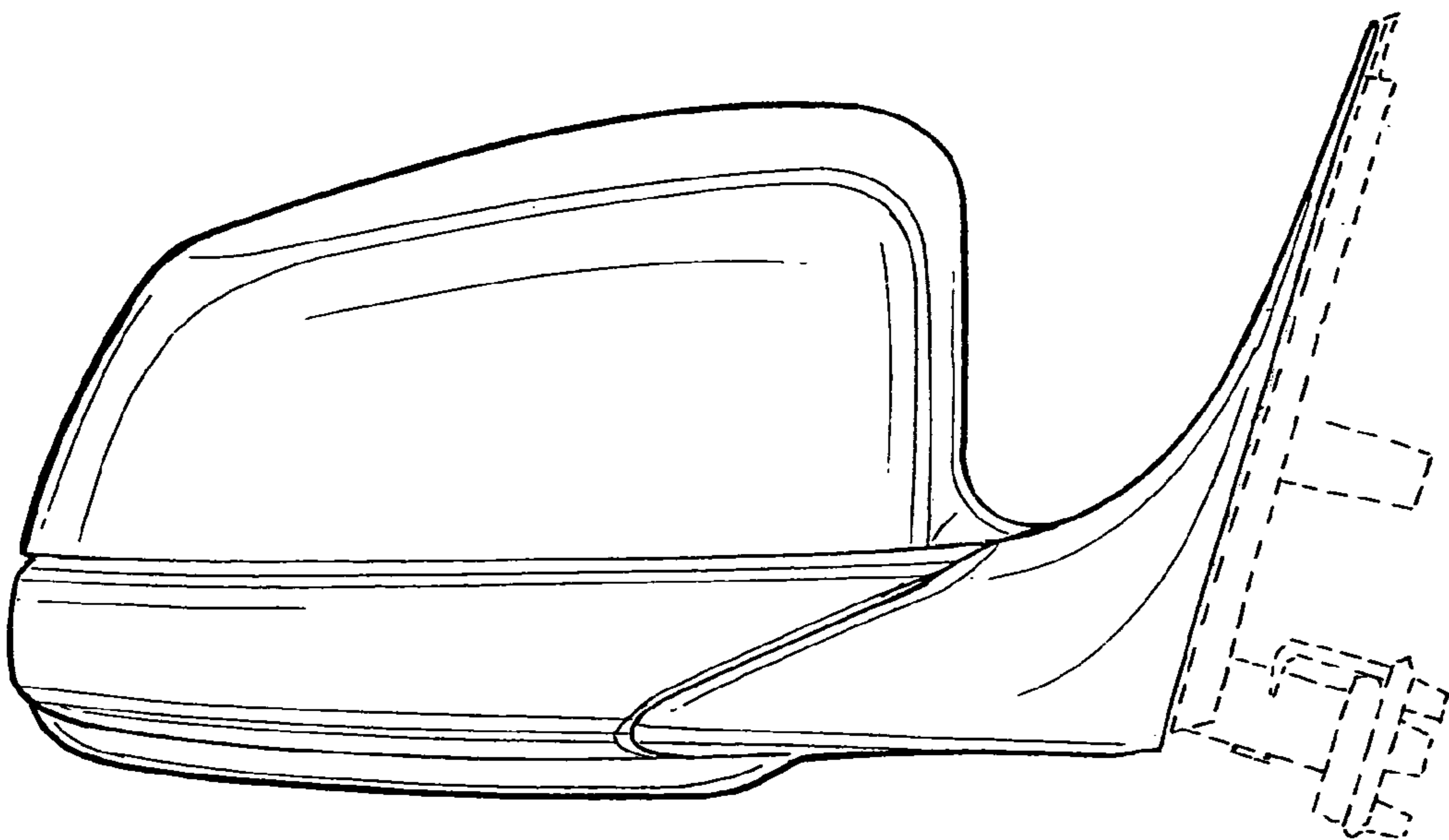
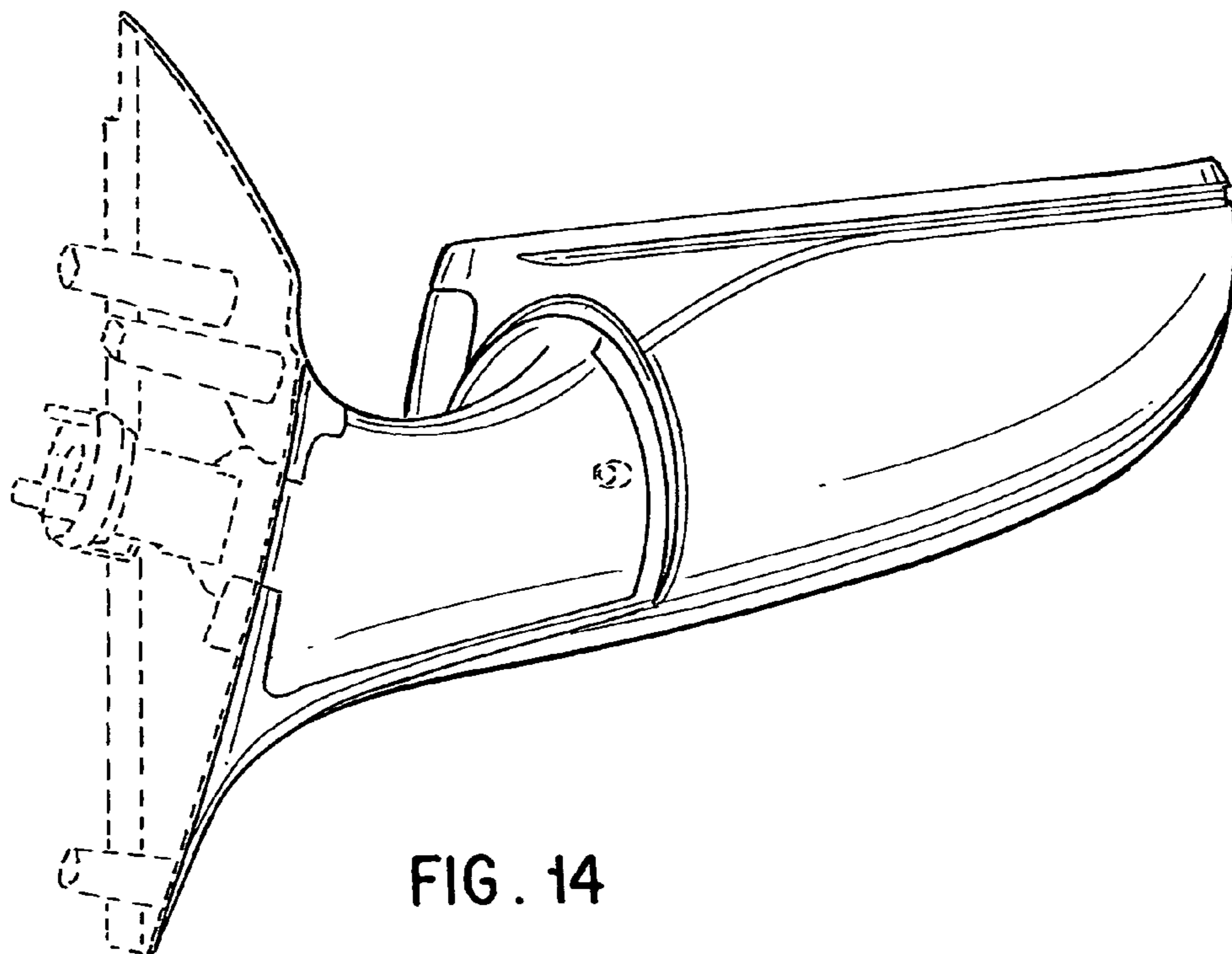
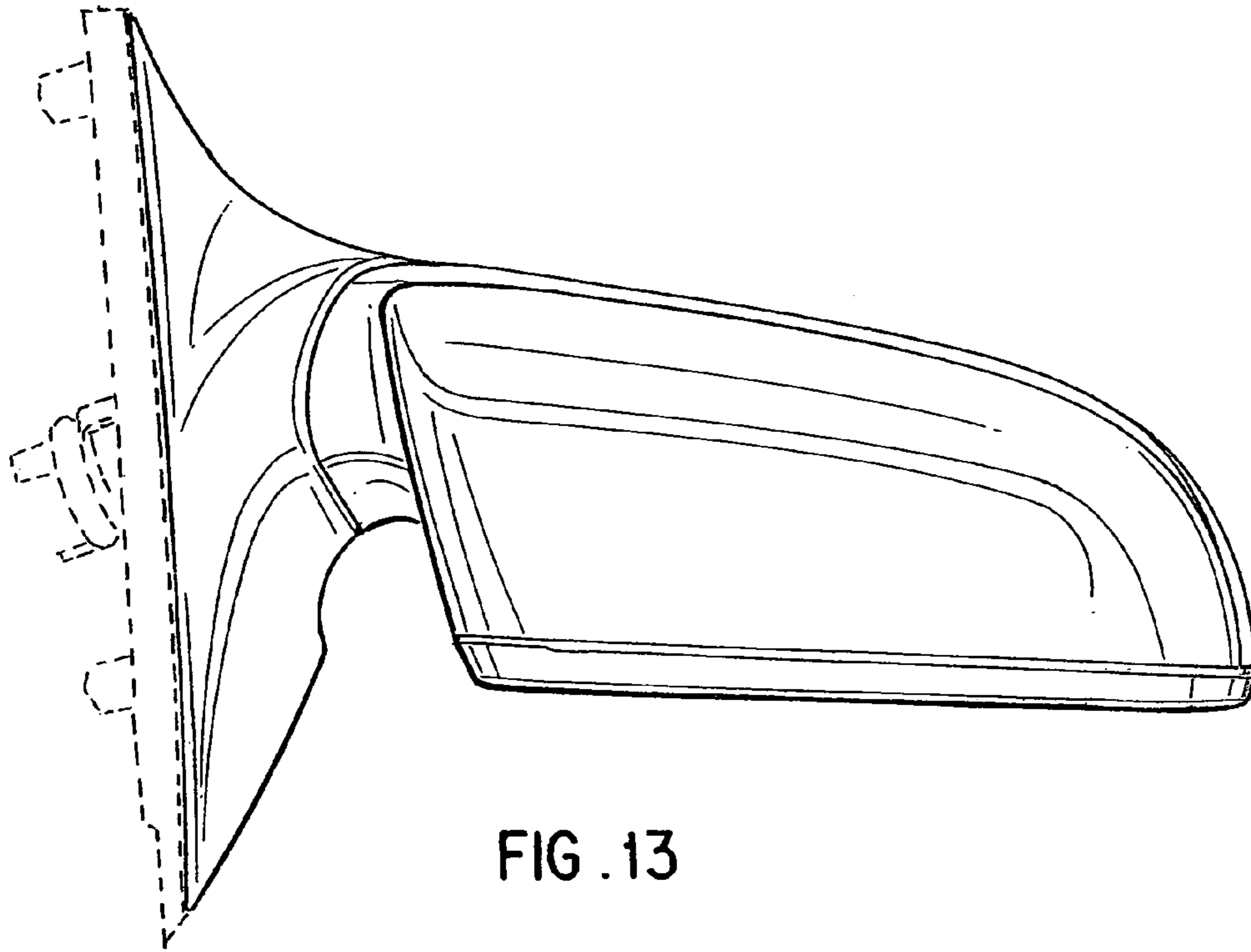


FIG. 12



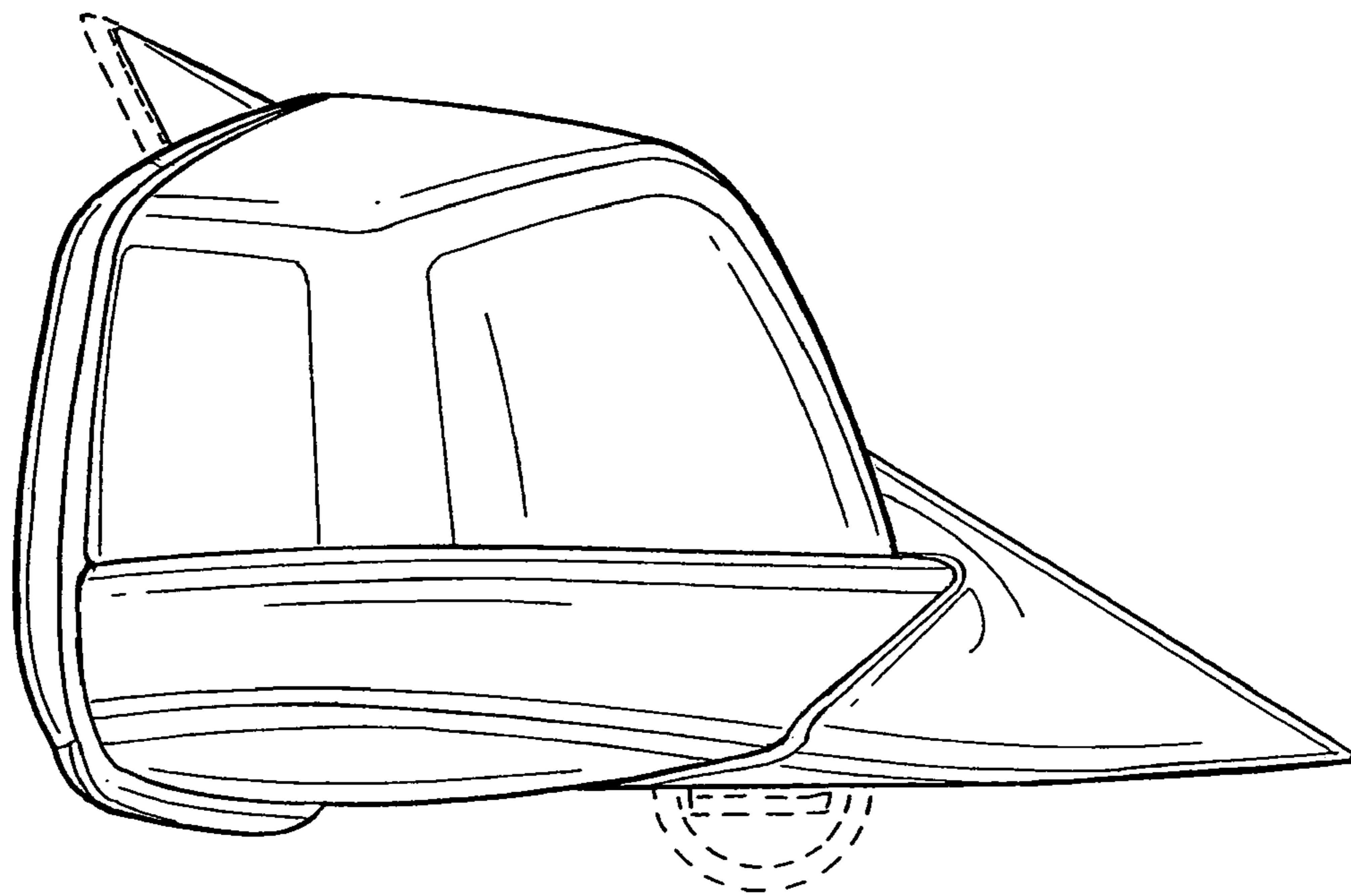


FIG. 15

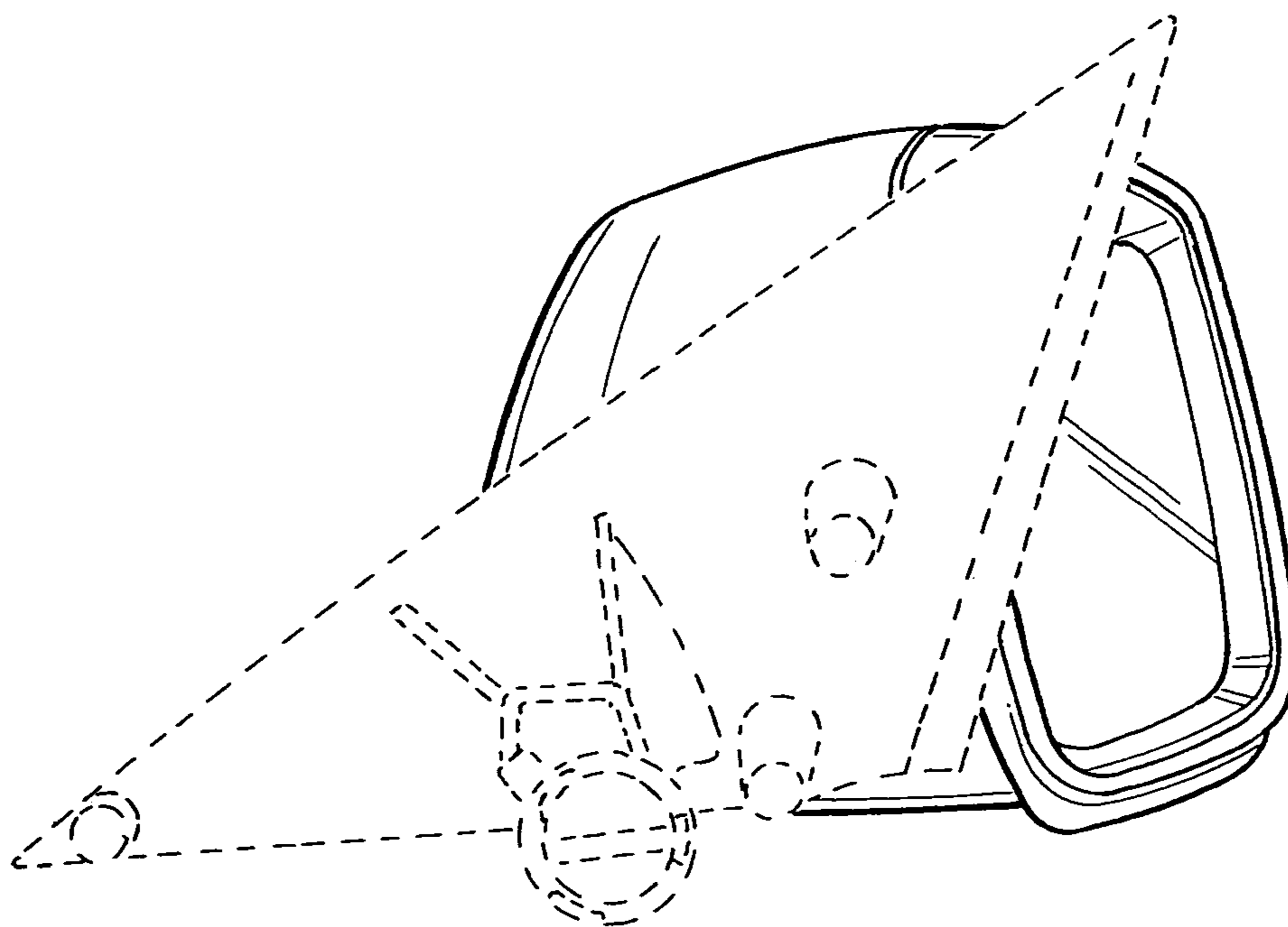


FIG. 16