



US00D586703S

(12) **United States Design Patent**
Brown

(10) **Patent No.:** **US D586,703 S**

(45) **Date of Patent:** **** Feb. 17, 2009**

(54) **SIMULATED SHOCK ABSORBER**

2008/0018035 A1* 1/2008 Porter et al. 267/218

(76) Inventor: **Ron Brown**, P.O. Box 1157, Pinedale,
WY (US) 82941

* cited by examiner

Primary Examiner—Louis S Zarfaz

Assistant Examiner—Michael A Pratt

(74) *Attorney, Agent, or Firm*—Workman Nydegger

(**) Term: **14 Years**

(57) **CLAIM**

(21) Appl. No.: **29/275,621**

The ornamental design for a simulated shock absorber, as shown and described.

(22) Filed: **Jan. 2, 2007**

(51) **LOC (9) Cl.** **12-16**

(52) **U.S. Cl.** **D12/159**

(58) **Field of Classification Search** D12/159,
D12/160, 161, 400, 188; 464/173; 267/64.15,
267/136, 195, 217; 188/286, 274, 316, 315,
188/297, 298, 281; 280/11.225, 86.752,
280/124.145, 124.147, 124.155; D21/763;
293/134

See application file for complete search history.

DESCRIPTION

FIG. 1 is a front view of the simulated shock absorber, illustrating the simulated shock absorber connected to an exemplary vehicle;

FIG. 2 is an enlarged top view of the simulated shock absorber shown in FIG. 1, with the bottom view being a mirror image thereof;

FIG. 3 is a left side view of the simulated shock absorber shown in FIG. 2;

FIG. 4 is a right side view of the simulated shock absorber shown in FIG. 2;

FIG. 5 is a front view of the simulated shock absorber shown in FIG. 2; and,

FIG. 6 is a back view of the simulated shock absorber shown in FIG. 2.

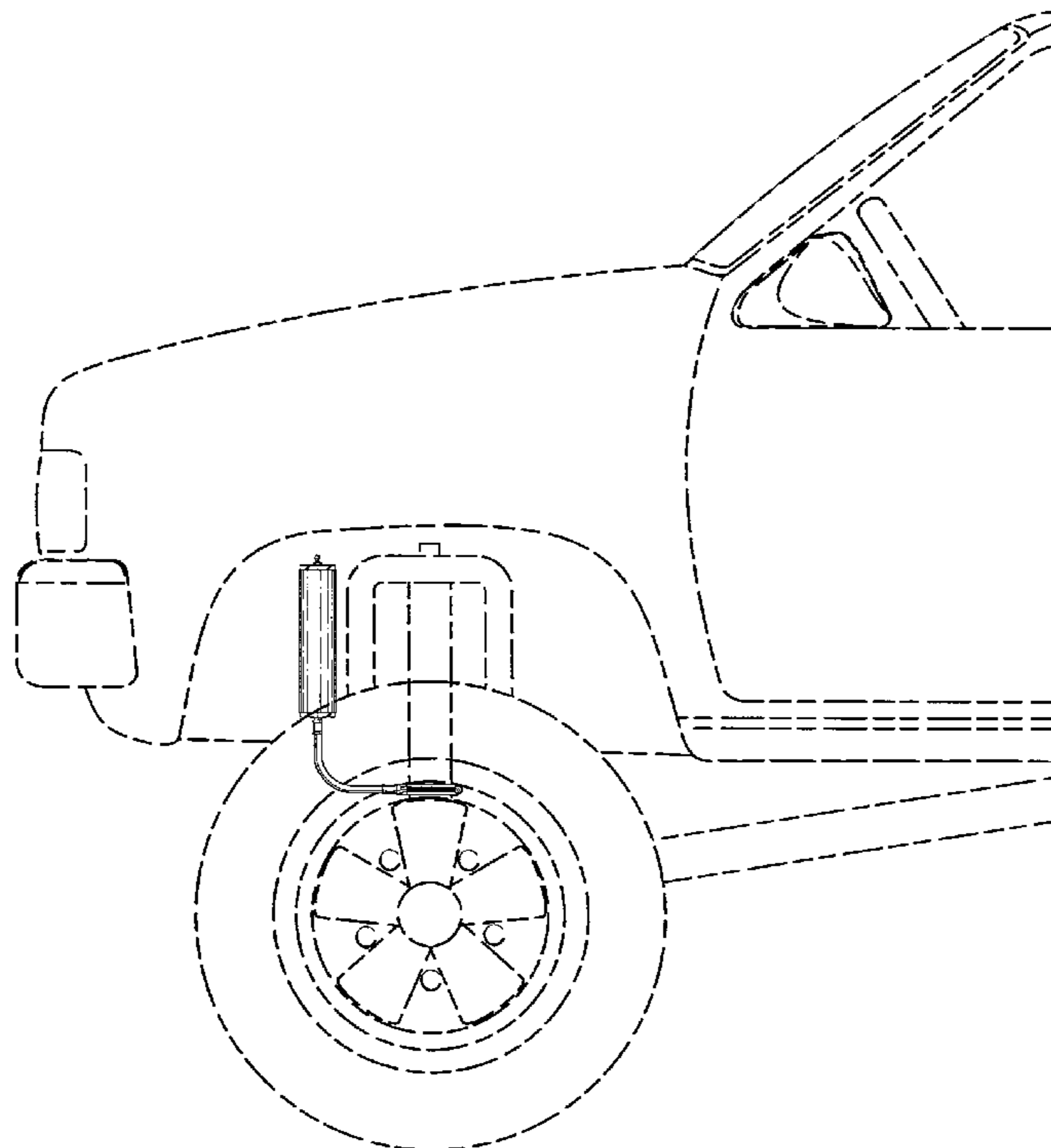
The broken lines shown in the figures are for illustrative purposes only and form no part of the claimed design.

(56) **References Cited**

U.S. PATENT DOCUMENTS

D233,743 S *	11/1974	Hobbins	D12/159
D239,377 S *	3/1976	Castelli	D12/159
5,085,298 A *	2/1992	Sollami	188/314
6,142,268 A *	11/2000	Kuo-An	188/274
7,191,877 B2 *	3/2007	Norgaard et al.	188/274
D569,313 S *	5/2008	Korner et al.	D12/159
2006/0289258 A1 *	12/2006	Fox	188/322.21
2007/0144844 A1 *	6/2007	Riley et al.	188/281
2007/0175718 A1 *	8/2007	Beck	188/315

1 Claim, 3 Drawing Sheets



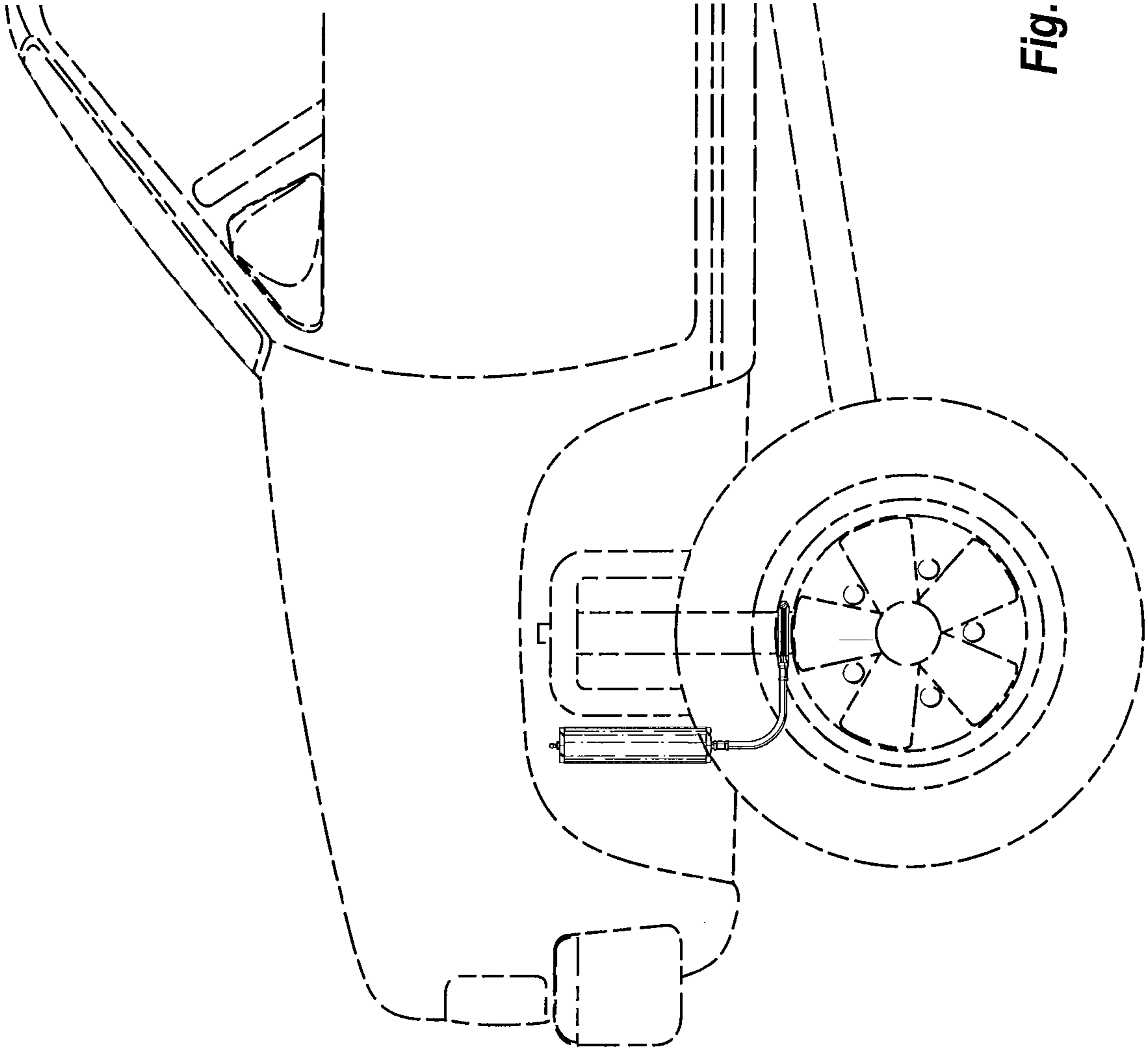


Fig. 1

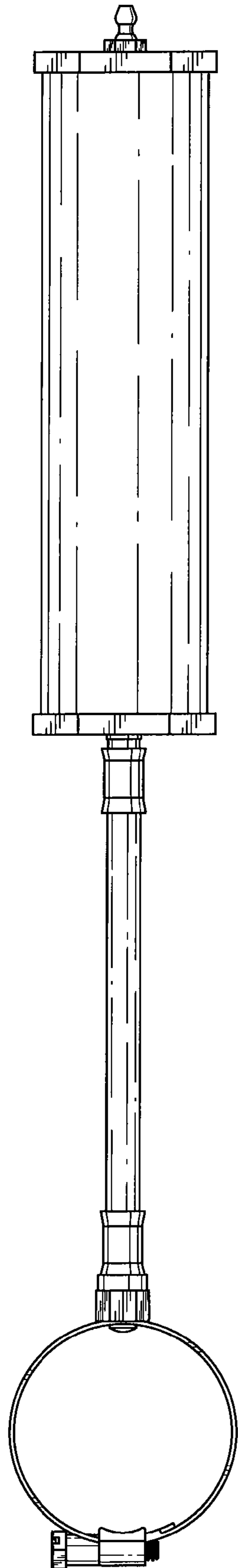


Fig. 2

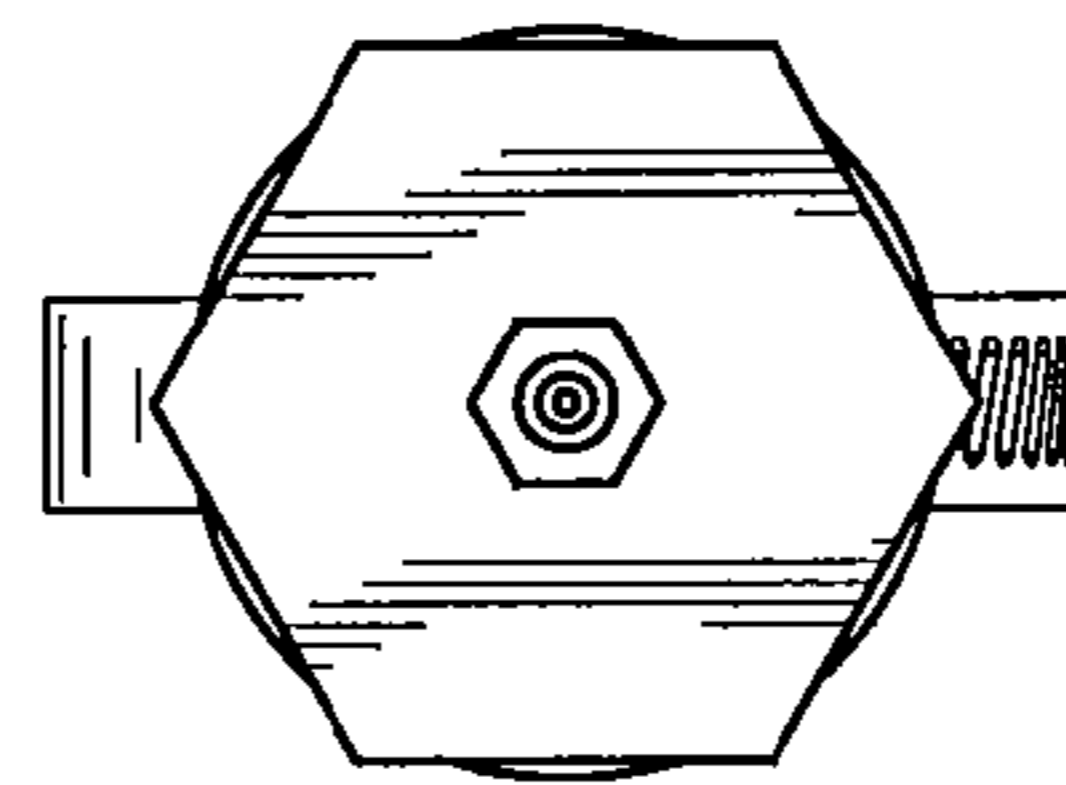


Fig. 4

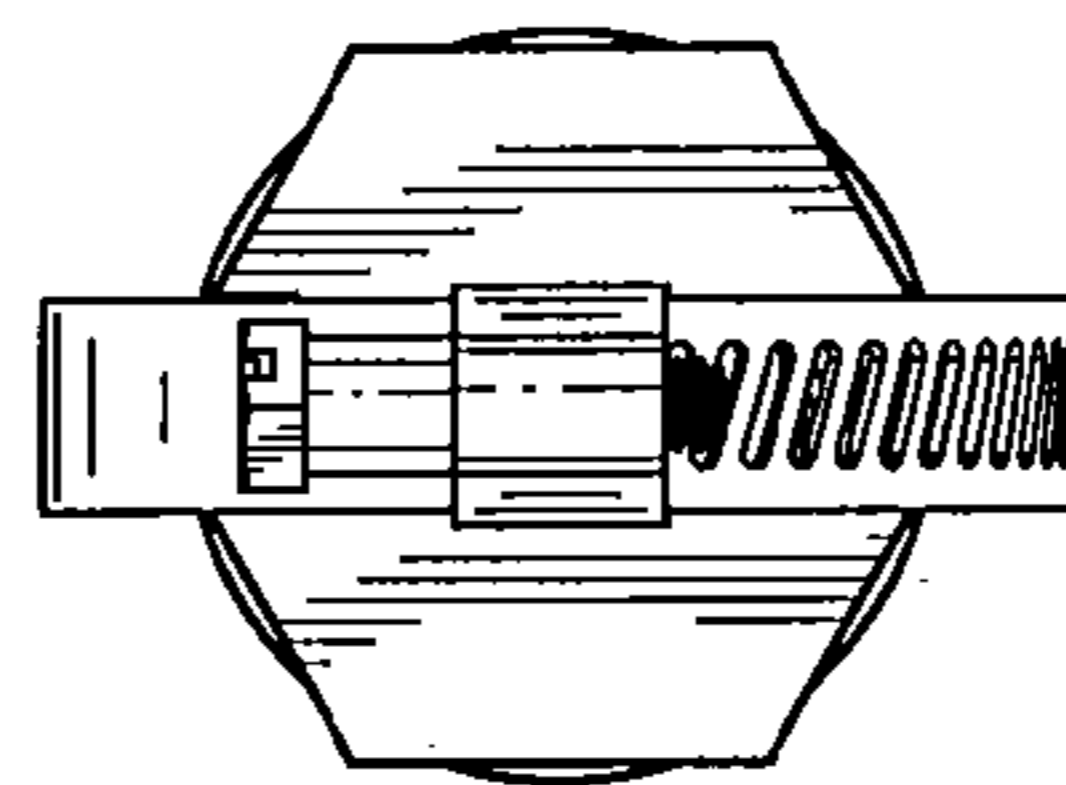


Fig. 3

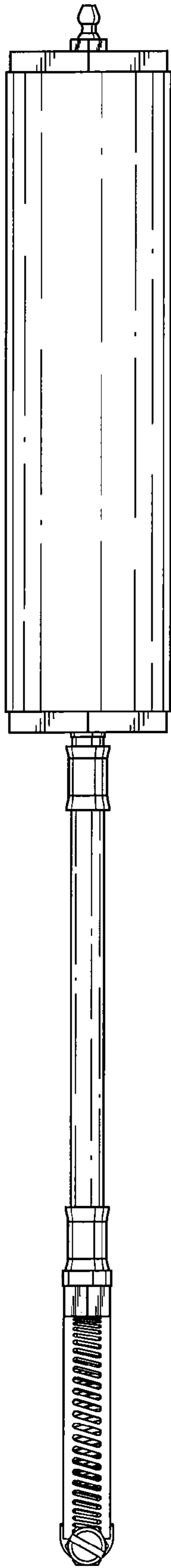


Fig. 5

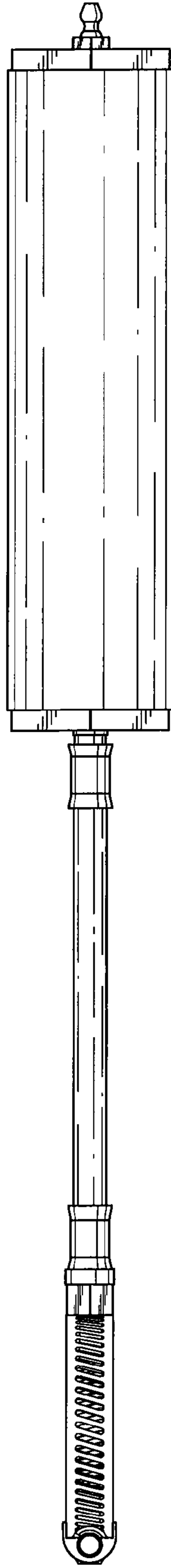


Fig. 6