



US00D586702S

(12) **United States Design Patent**
Morris

(10) **Patent No.:** **US D586,702 S**
(45) **Date of Patent:** **** Feb. 17, 2009**

(54) **CURVED BICYCLE FRAME**

(75) Inventor: **Jason Allen Morris**, Bellingham, WA
(US)

(73) Assignee: **Western Washington University**,
Bellingham, WA (US)

(**) Term: **14 Years**

(21) Appl. No.: **29/303,023**

(22) Filed: **Jan. 30, 2008**

(51) **LOC (9) Cl.** **12-11**

(52) **U.S. Cl.** **D12/111**

(58) **Field of Classification Search** D12/111,
D12/117, 110; 280/274–278, 281.1, 288.1–288.3,
280/283–288

See application file for complete search history.

(56) **References Cited**

U.S. PATENT DOCUMENTS

D243,165 S *	1/1977	Wheeler	D12/111
4,421,337 A *	12/1983	Pratt	280/277
7,168,726 B2 *	1/2007	Klein	280/284
7,374,191 B1 *	5/2008	Tseng	280/284

* cited by examiner

Primary Examiner—Robin V Webster

Assistant Examiner—Linda Brooks

(74) *Attorney, Agent, or Firm*—Christensen O'Connor
Johnson Kindness PLLC

(57) **CLAIM**

The ornamental design for a curved bicycle frame, as shown.

DESCRIPTION

FIG. 1 is an isometric view of a curved bicycle frame constructed in accordance with certain aspects of the present disclosure, showing a first end of the bicycle frame;

FIG. 2 is an isometric view of the curved bicycle frame in FIG. 1, showing a second end of the bicycle frame;

FIG. 3 is a top planar view of the curved bicycle frame of FIG. 1;

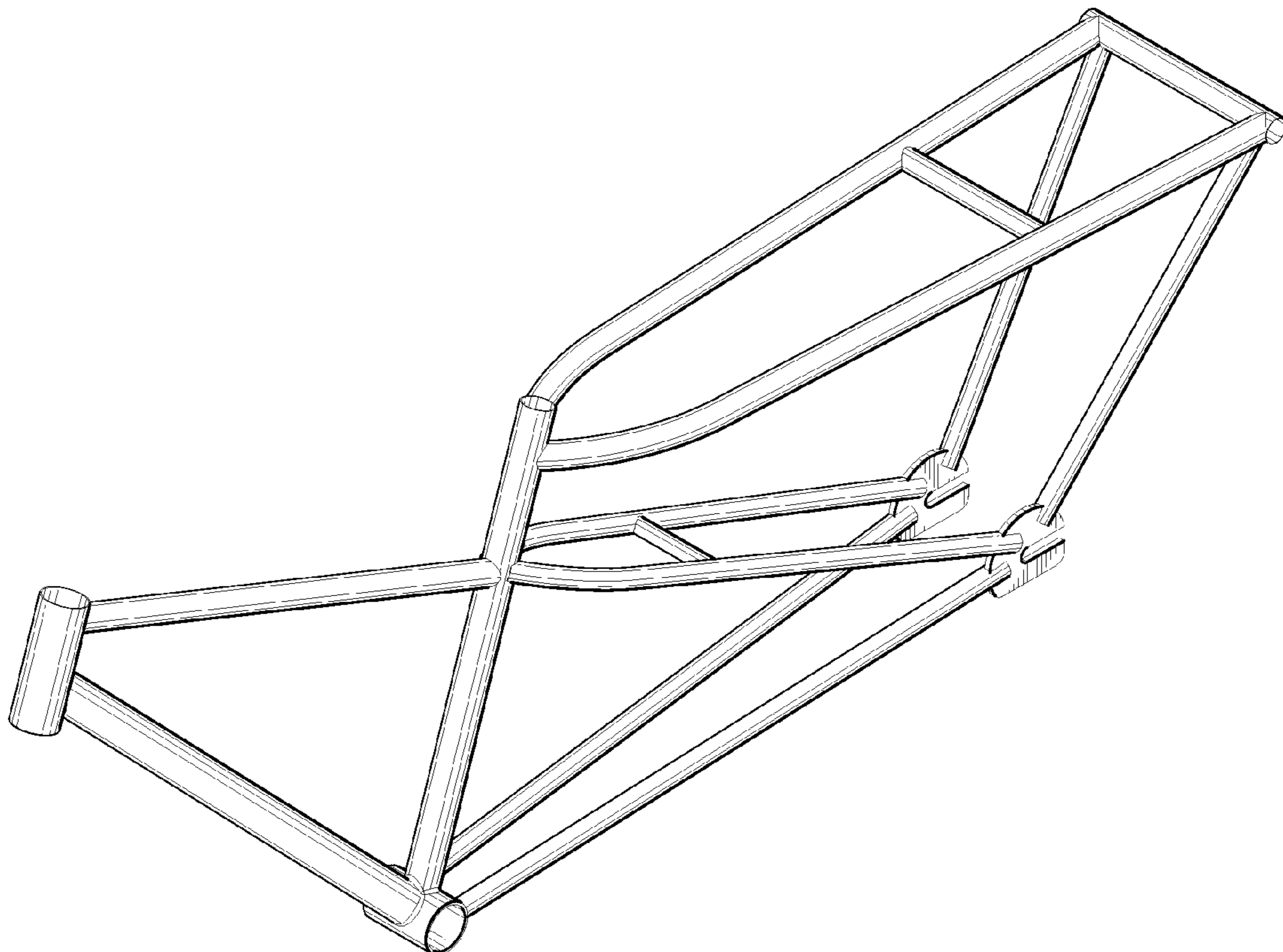
FIG. 4 is a side elevation view of the curved bicycle frame of FIG. 1;

FIG. 5 is a bottom planar view of the curved bicycle frame of FIG. 1;

FIG. 6 is a front elevation view of the curved bicycle frame of FIG. 1; and,

FIG. 7 is a back elevation view of the curved bicycle frame of FIG. 1.

1 Claim, 2 Drawing Sheets



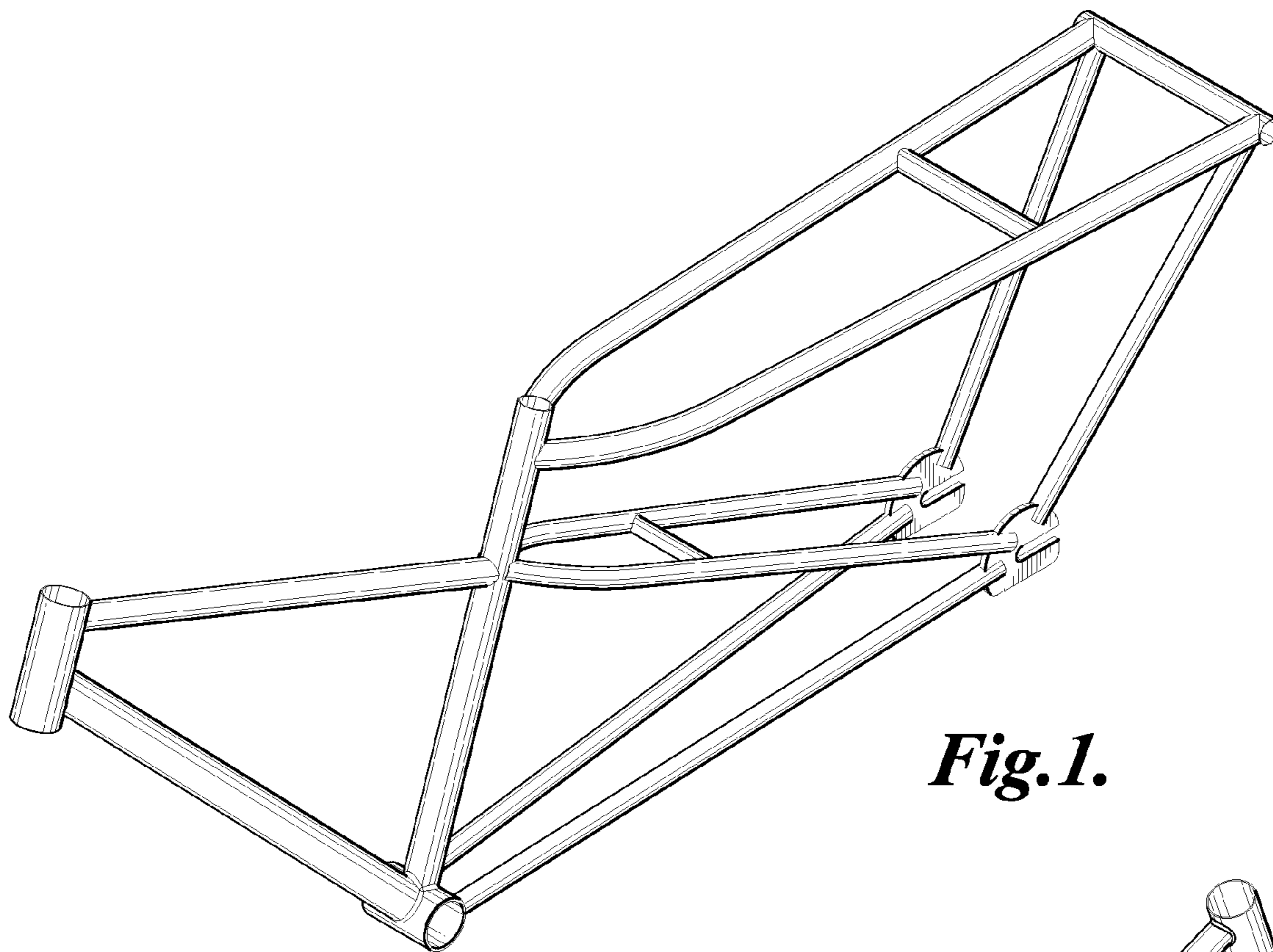


Fig. 1.

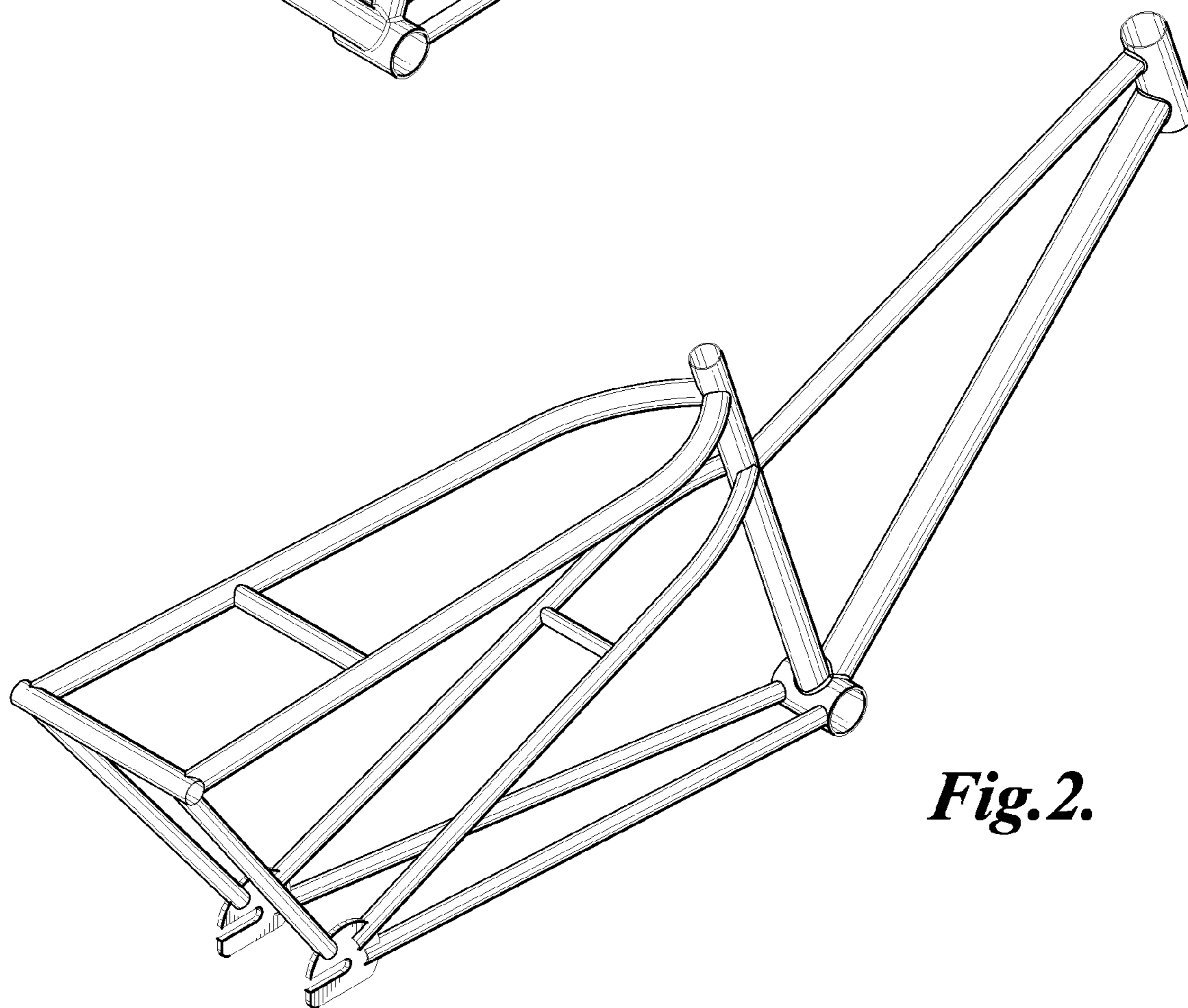


Fig. 2.

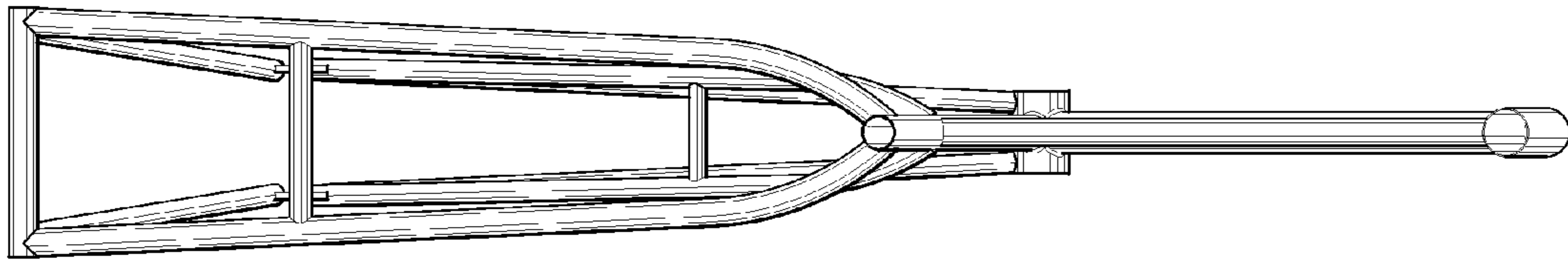


Fig. 3.

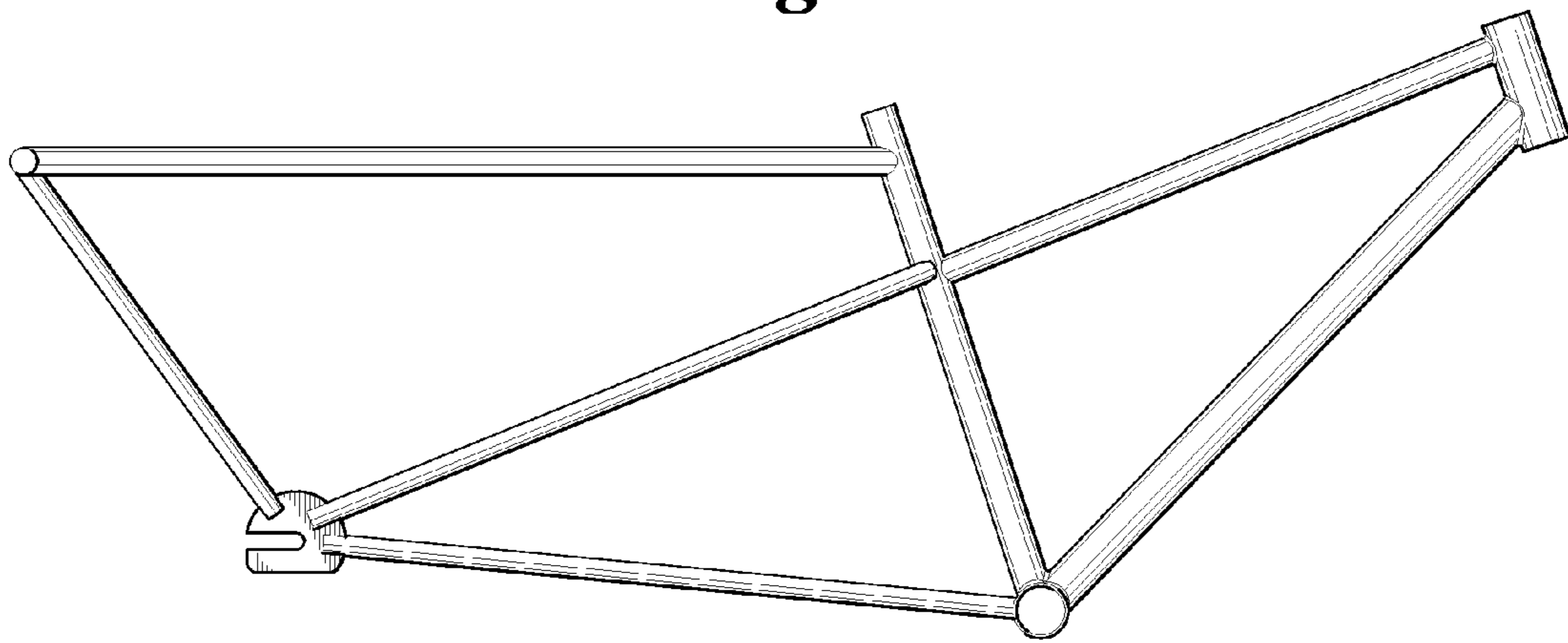


Fig. 4.

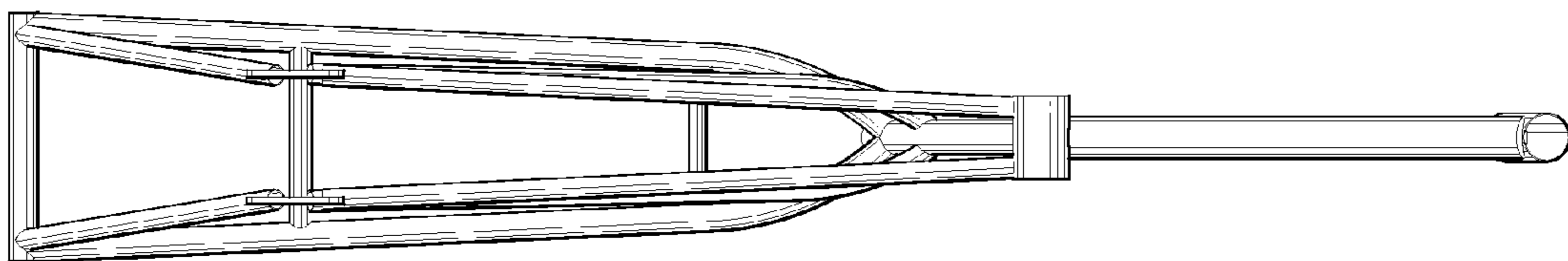


Fig. 5.

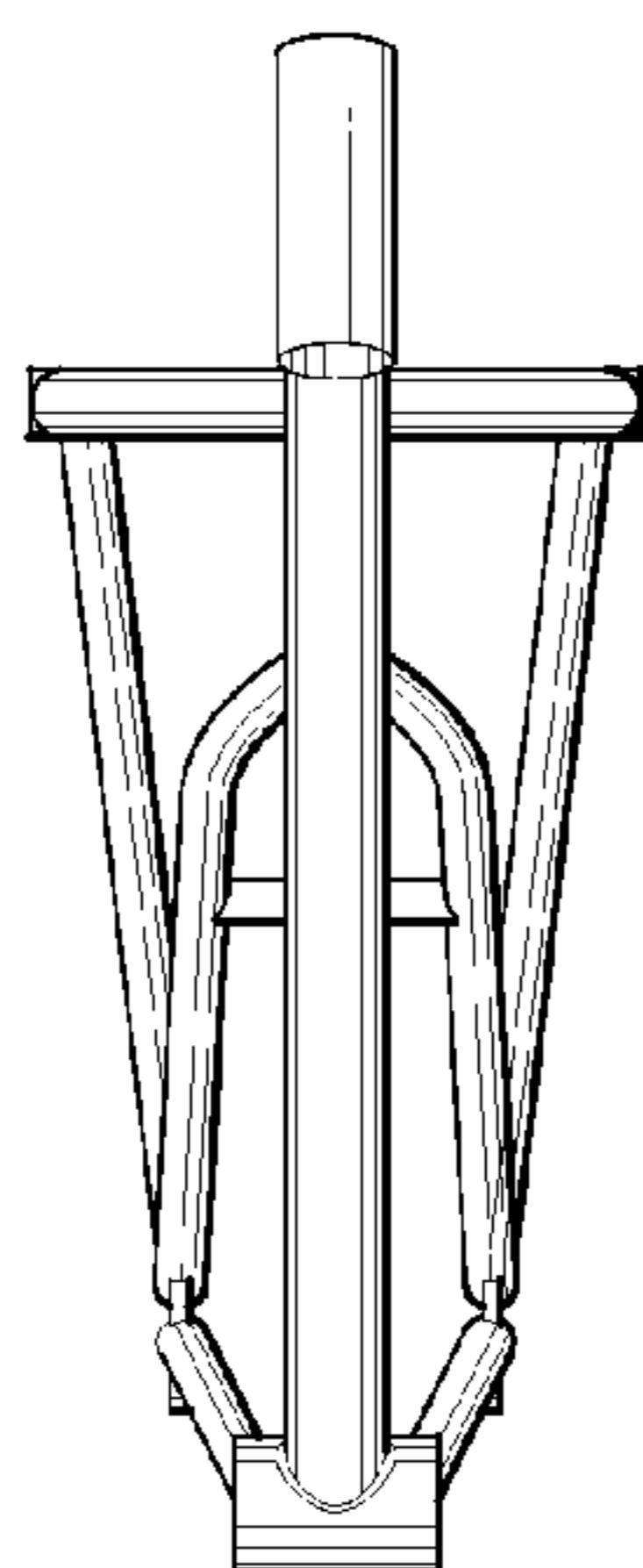


Fig. 6.

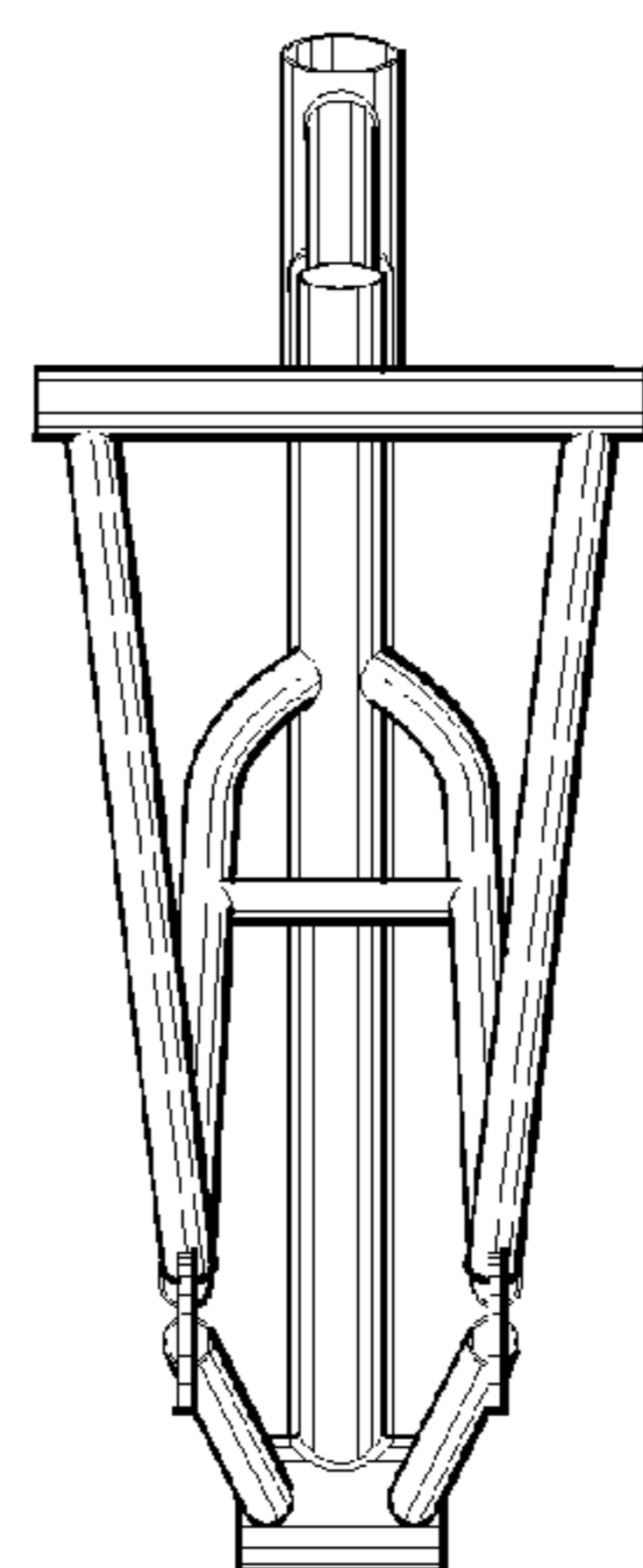


Fig. 7.