



US00D586695S

(12) **United States Design Patent**
Burns

(10) **Patent No.:** **US D586,695 S**
(45) **Date of Patent:** **** Feb. 17, 2009**

(54) **OFF-ROAD VEHICLE FRAME**

(76) Inventor: **John Burns**, 3829 E. Augusta Ct., Queen Creek, AZ (US) 85242

(**) Term: **14 Years**

(21) Appl. No.: **29/296,567**

(22) Filed: **Oct. 23, 2007**

Related U.S. Application Data

(63) Continuation-in-part of application No. 29/279,917, filed on May 10, 2007.

(51) **LOC (9) Cl.** **12-08**

(52) **U.S. Cl.** **D12/87**

(58) **Field of Classification Search** D12/86,
D12/87, 88, 90-92; D21/424, 433, 434;
180/298, 312; 296/181.1, 181.5
See application file for complete search history.

(56) **References Cited**

U.S. PATENT DOCUMENTS

D253,407	S	*	11/1979	Moore et al.	D12/112
4,217,970	A	*	8/1980	Chika	180/298
D268,746	S	*	4/1983	Greenhalgh et al.	D12/88
4,614,249	A	*	9/1986	Yamanaka	180/312
D286,760	S	*	11/1986	Ooba et al.	D12/87
D299,705	S	*	2/1989	Carpanelli et al.	D12/88
4,810,028	A	*	3/1989	Henricks	296/187.03
D301,849	S	*	6/1989	Oba et al.	D12/87
D408,869	S	*	4/1999	Patmont	D21/433
D446,263	S	*	8/2001	Heys	D21/477
6,623,067	B2	*	9/2003	Gabbianelli et al.	296/205
D500,707	S	*	1/2005	Lu	D12/87
D535,215	S	*	1/2007	Turner et al.	D12/87
D549,133	S	*	8/2007	LePage	D12/87

7,322,106	B2	*	1/2008	Marando et al.	29/897.2
D564,410	S	*	3/2008	Lepage	D12/87
D574,297	S	*	8/2008	Carl	D12/87
2007/0000715	A1	*	1/2007	Denney	180/311
2007/0240927	A1	*	10/2007	Kitai et al.	180/312

* cited by examiner

Primary Examiner—Sandra Snapp

Assistant Examiner—Patricia Palasik

(74) *Attorney, Agent, or Firm*—Schmeiser, Olsen & Watts LLP

(57) **CLAIM**

The ornamental design for the off-road vehicle frame, as shown.

DESCRIPTION

FIG. 1 is a side perspective view of the off-road vehicle frame; FIG. 2 is another side perspective view of the off-road vehicle frame;

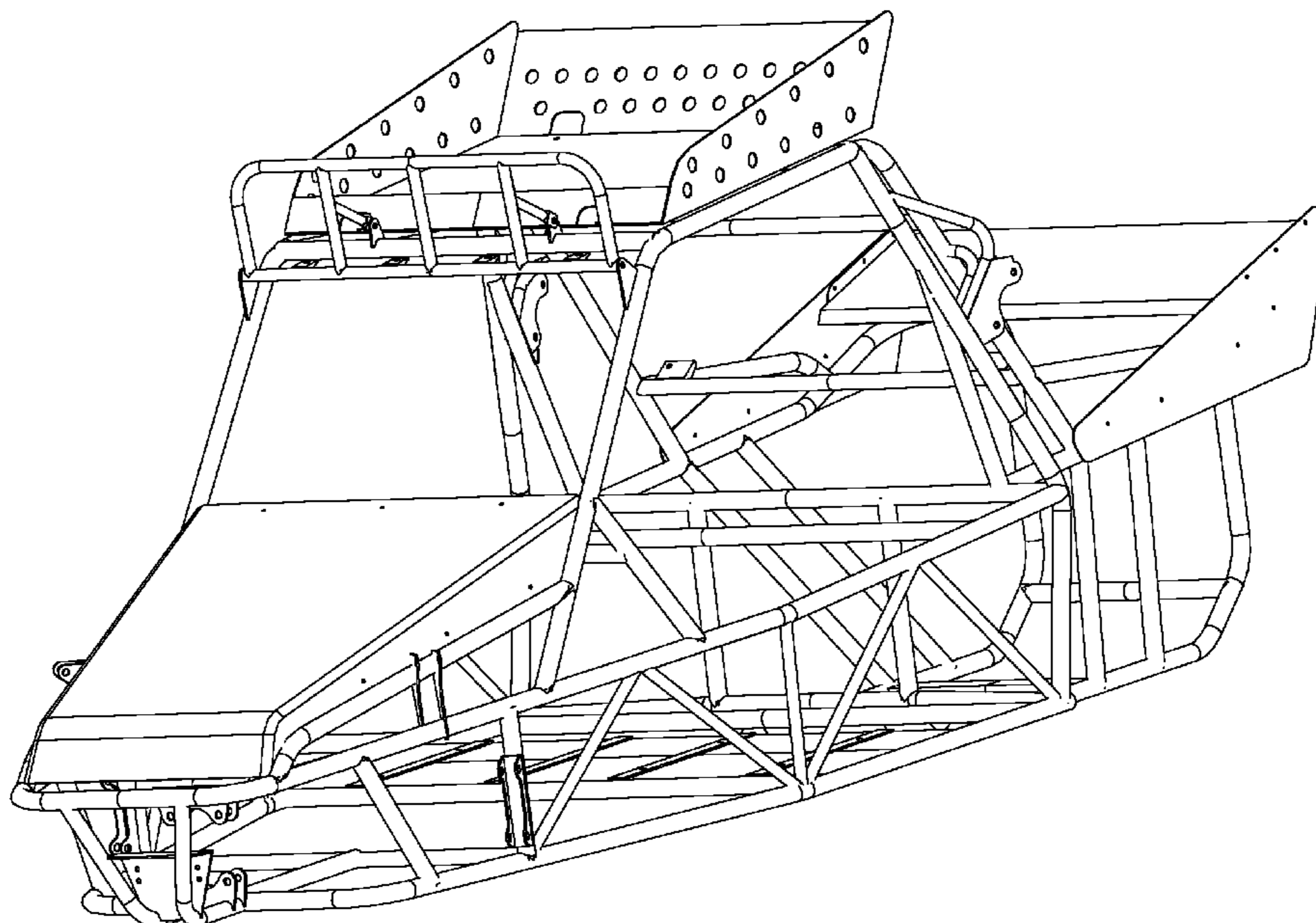
FIG. 3 is a front side elevation of the off-road vehicle frame; FIG. 4 is a driver's side elevation of the off-road vehicle frame;

FIG. 5 is a rear side elevation of the off-road vehicle frame; FIG. 6 is a passenger's side elevation of the off-road vehicle frame;

FIG. 7 is a top plan view of the off-road vehicle frame; FIG. 8 is a bottom plan view of the off-road vehicle frame;

FIG. 9 is a bottom perspective view of the off-road vehicle frame; and, FIG. 10 is another bottom perspective view of the off-road vehicle frame.

1 Claim, 10 Drawing Sheets



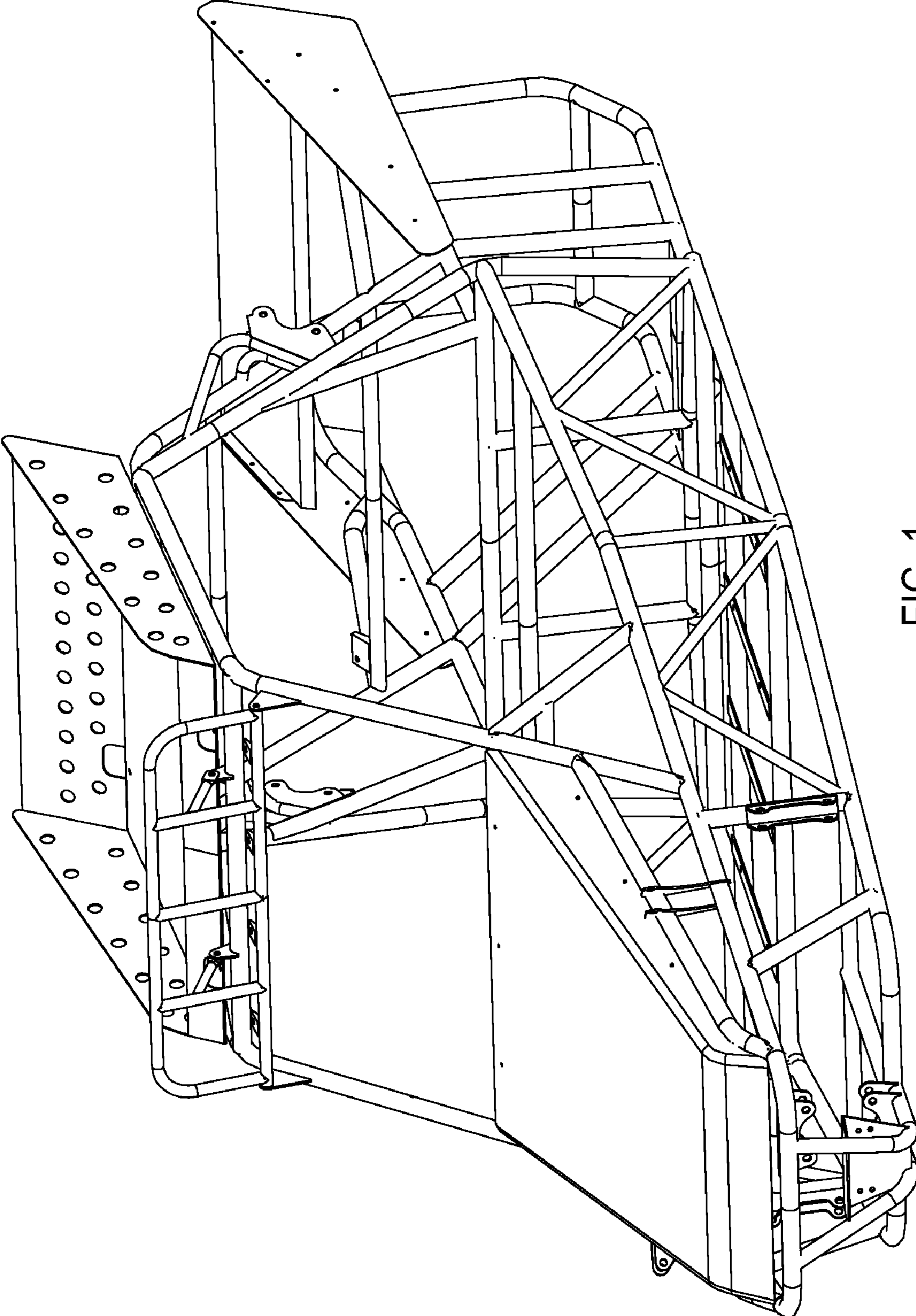


FIG. 1

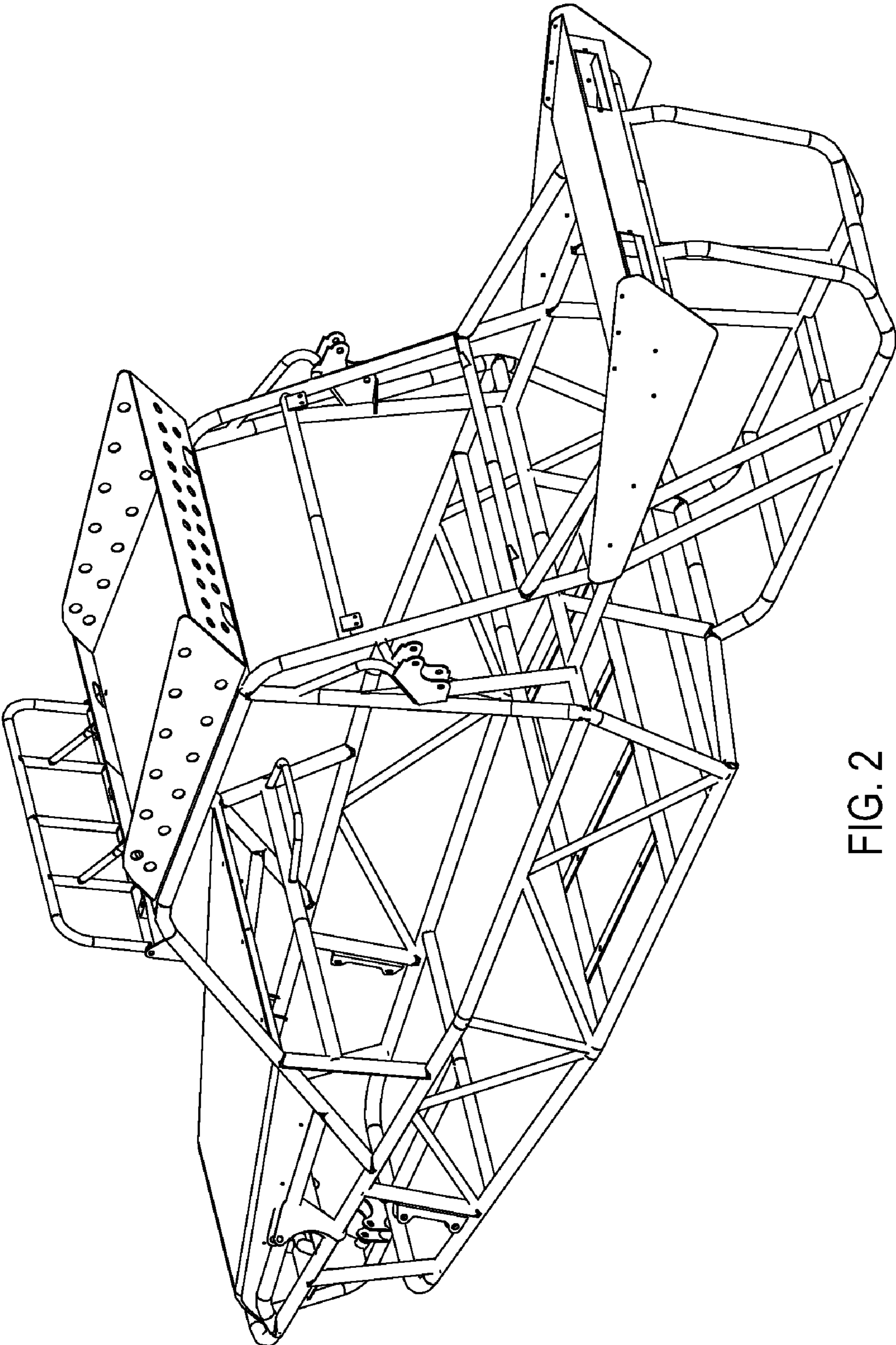


FIG. 2

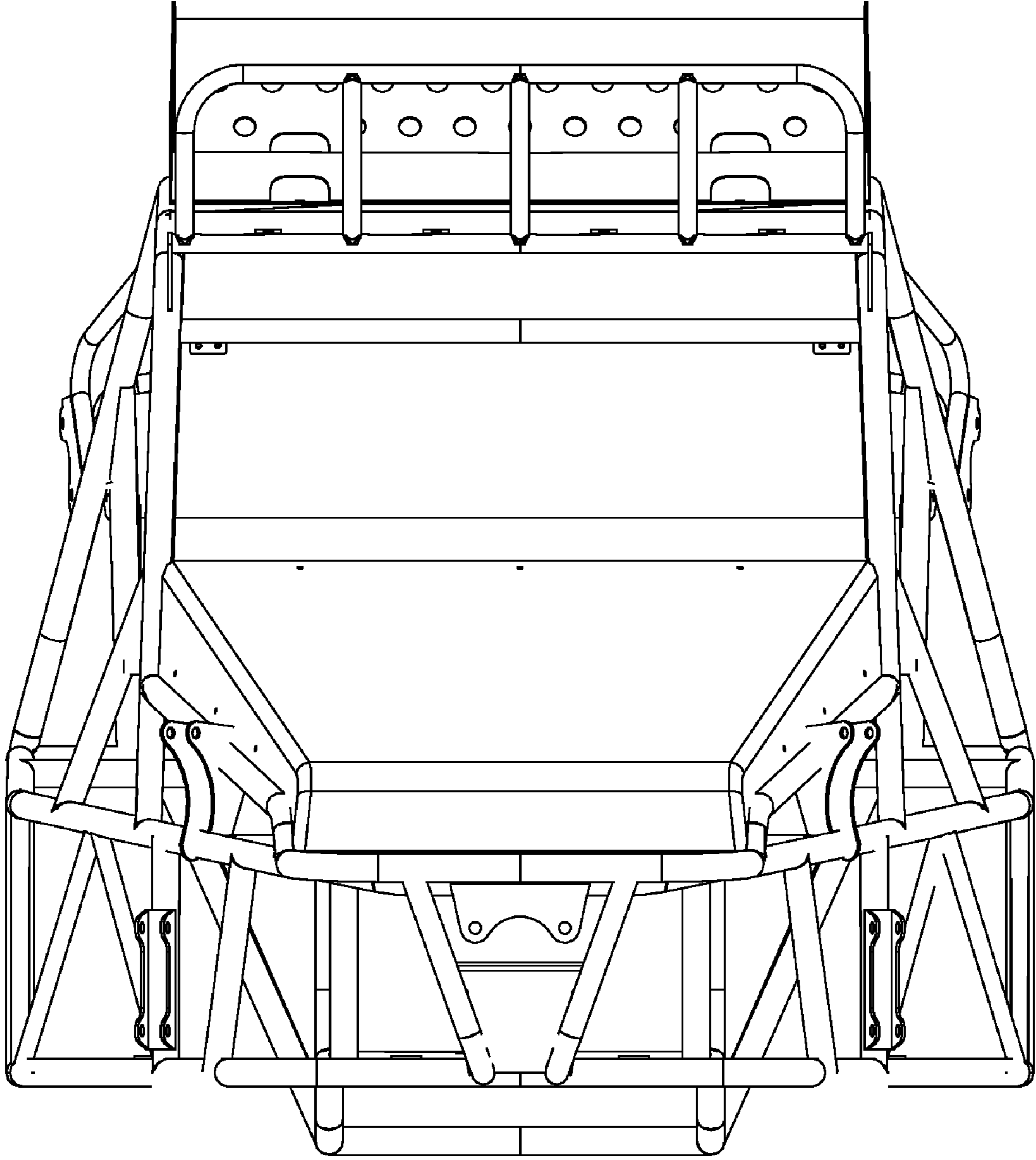


FIG. 3

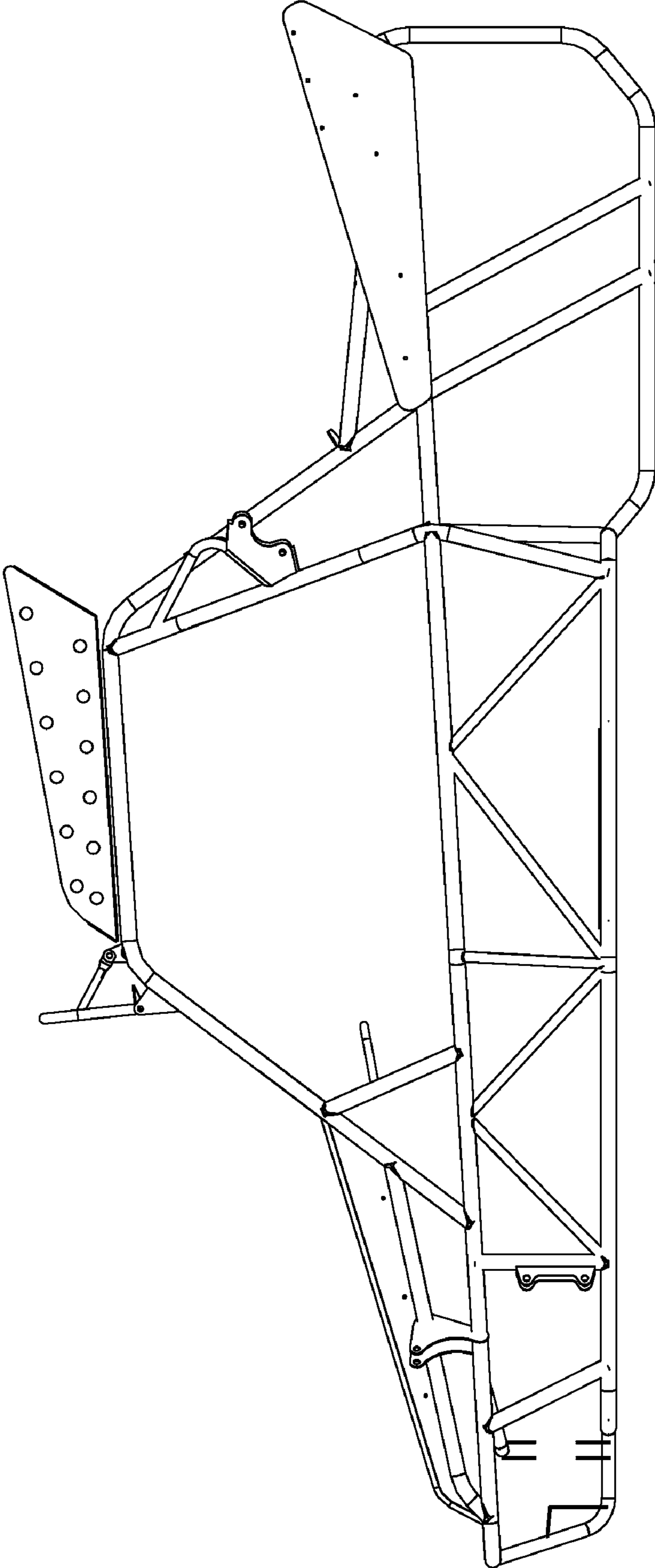


FIG. 4

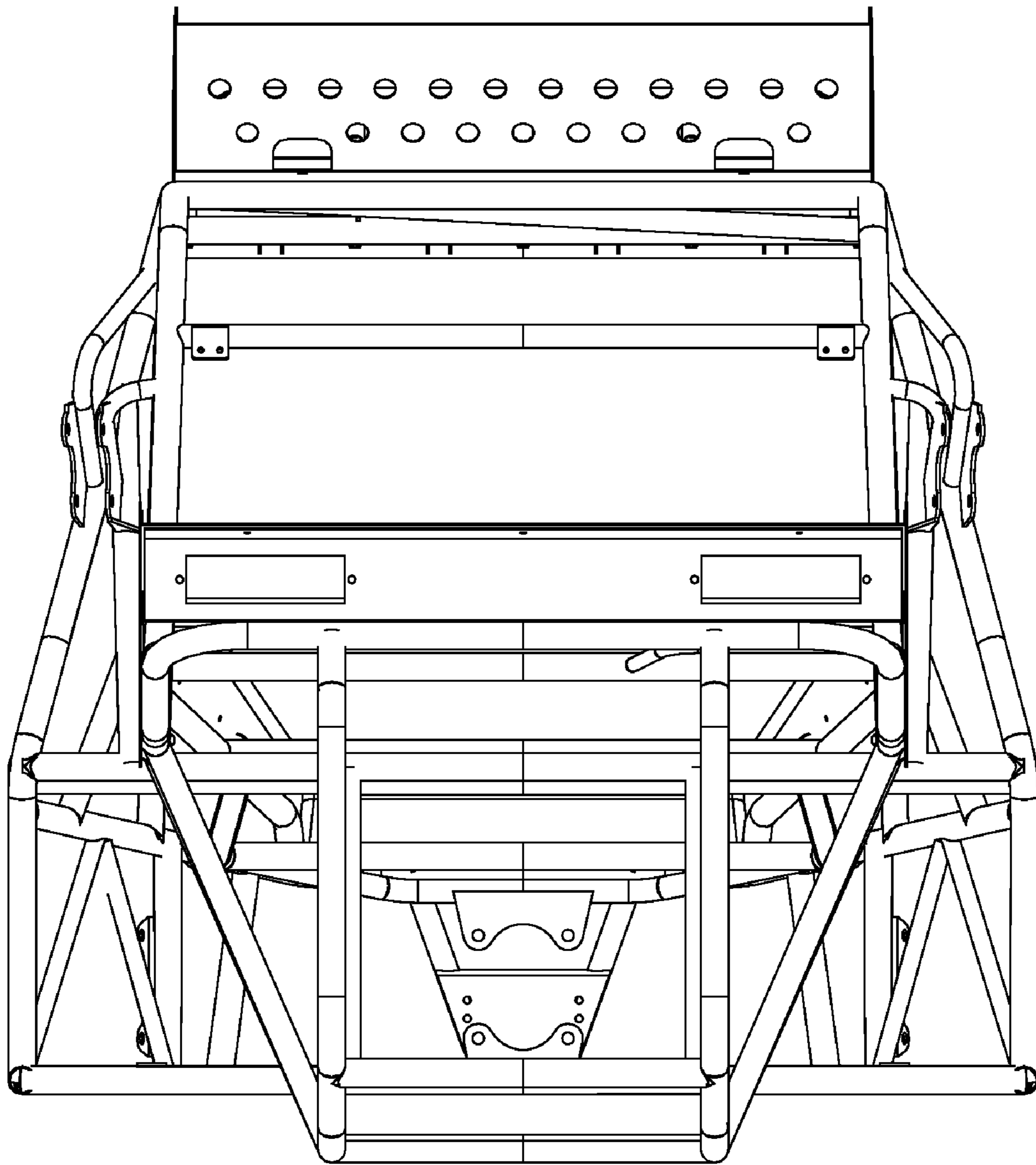


FIG. 5

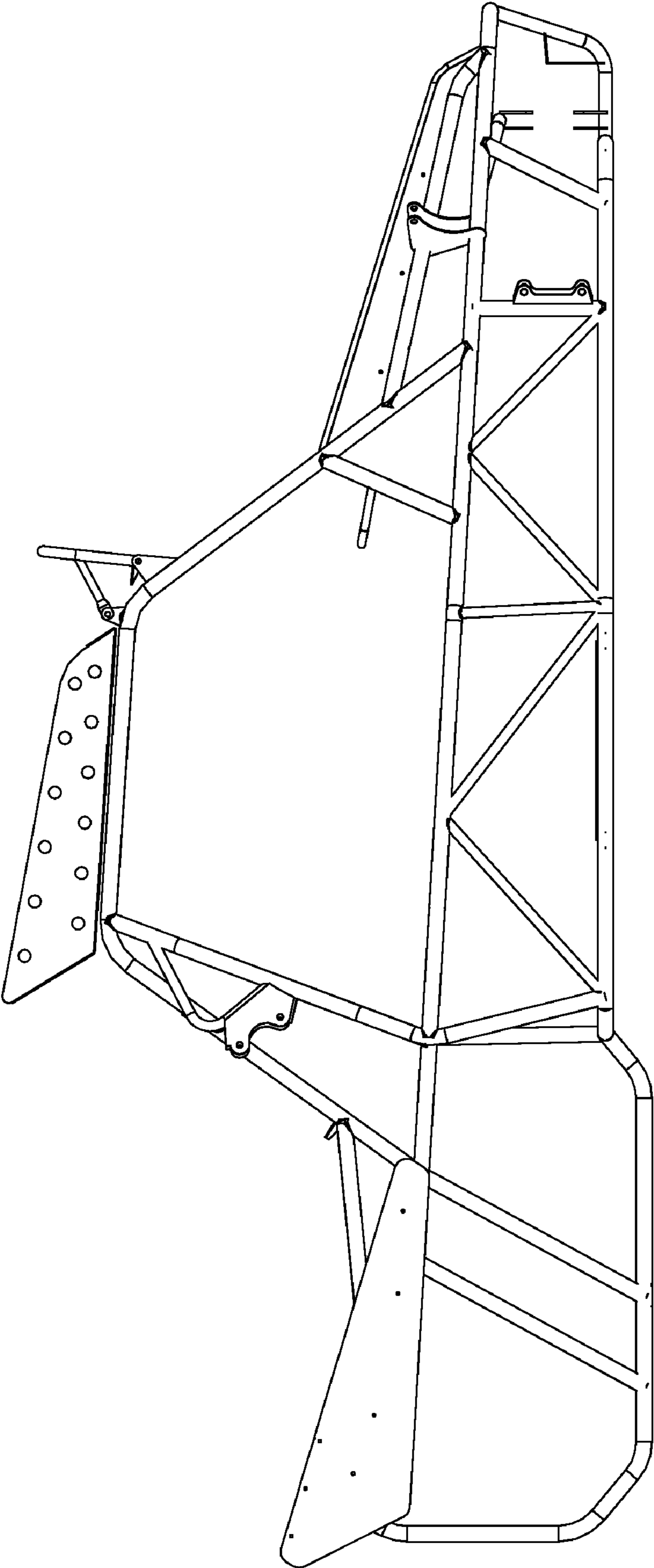


FIG. 6

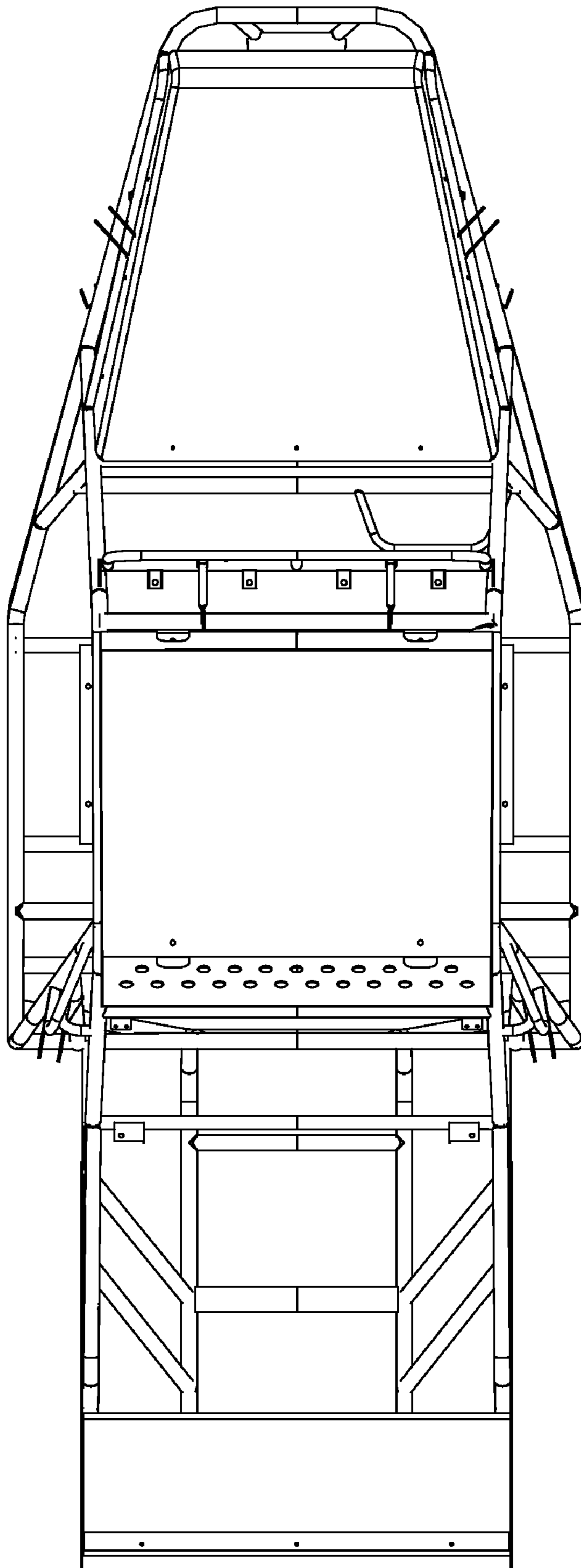


FIG. 7

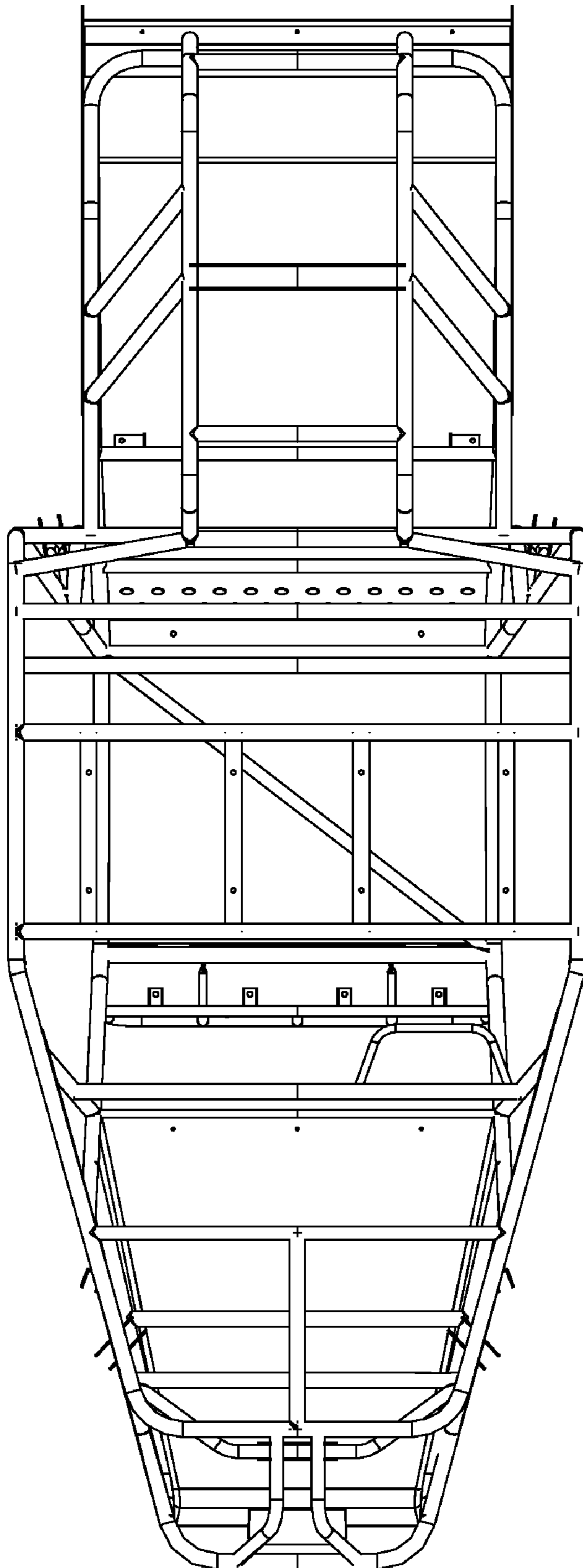


FIG. 8

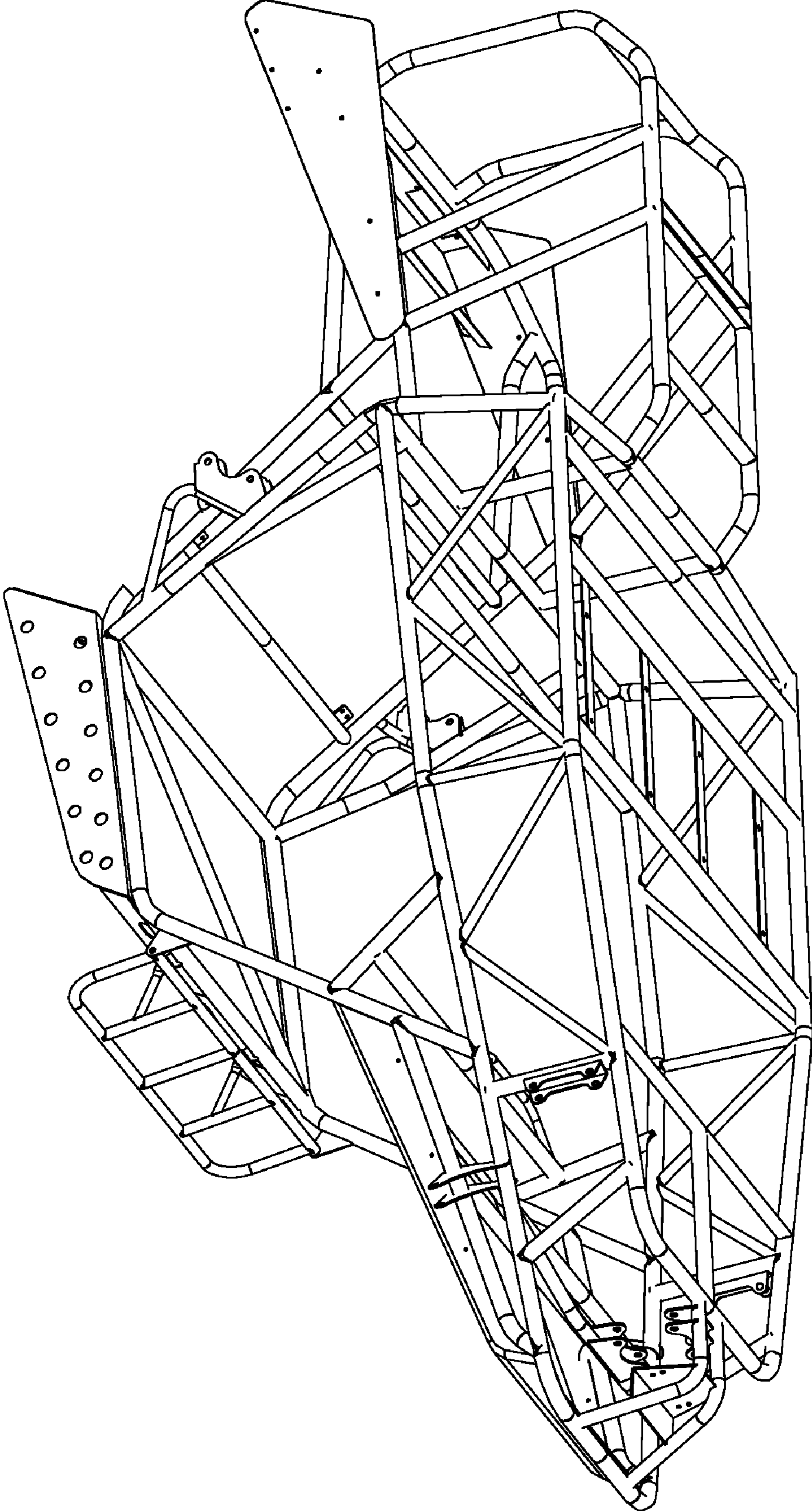


FIG. 9

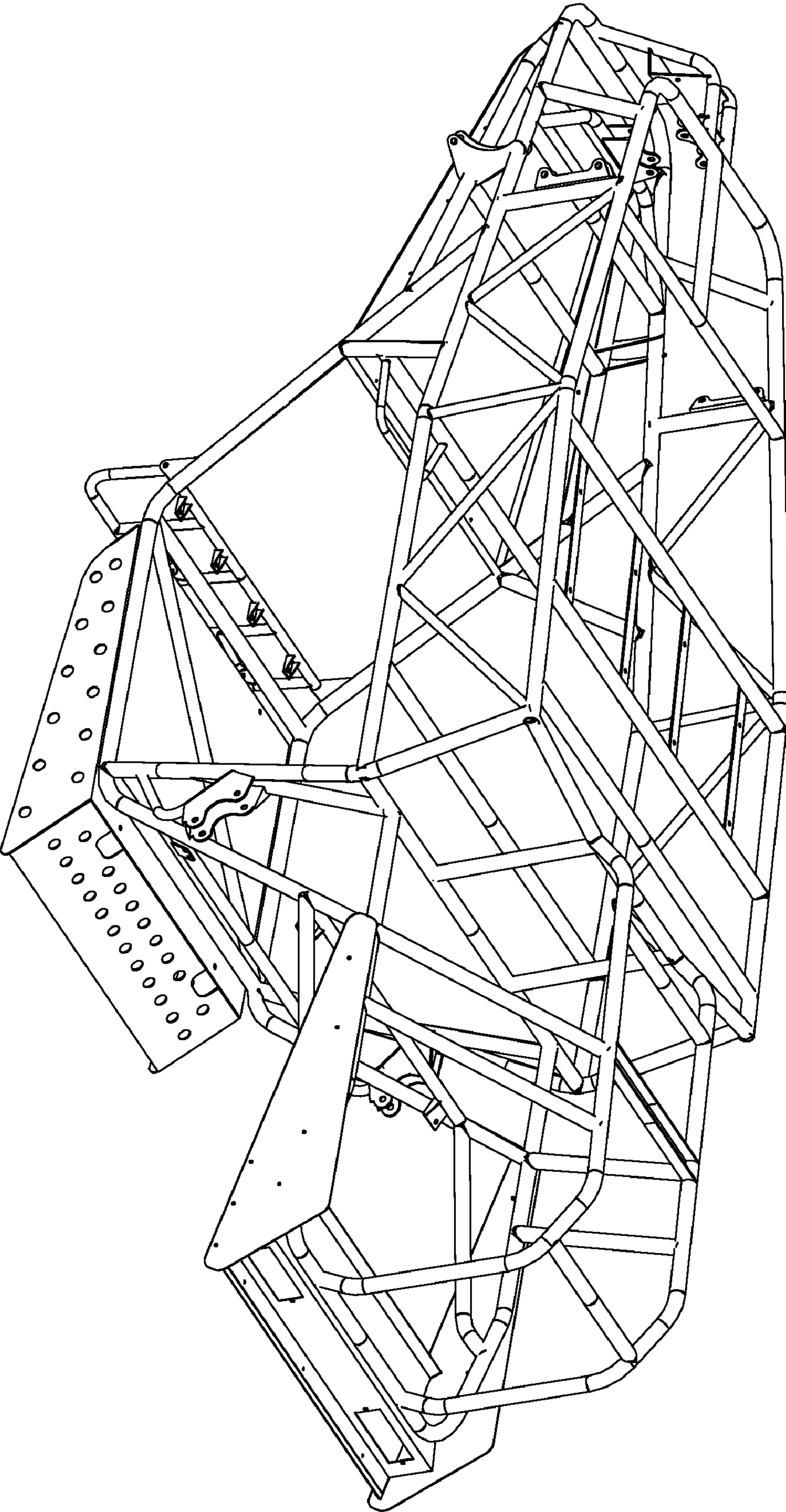


FIG. 10