



US00D586694S

(12) **United States Design Patent**
Huang et al.

(10) **Patent No.:** **US D586,694 S**

(45) **Date of Patent:** **** Feb. 17, 2009**

(54) **UTILITY VEHICLE**

(75) Inventors: **Kuo-Feng Huang**, Kaohsiung (TW);
Han-Pin Tsai, Kaohsiung (TW);
Tzu-Pei Chen, Kaohsiung (TW)

(73) Assignee: **Kwang Yang Motor Co., Ltd.**,
Kaohsiung (TW)

(**) Term: **14 Years**

(21) Appl. No.: **29/277,127**

(22) Filed: **Feb. 15, 2007**

(51) **LOC (9) Cl.** **12-14**

(52) **U.S. Cl.** **D12/14**

(58) **Field of Classification Search** D12/87,
D12/86, 1, 433, 15, 16, 107, 82, 88, 89, 90,
D12/91, 92, 93; D15/30; D21/803; 180/233,
180/908; 280/DIG. 5, 183, 184, 185, 186,
280/28, 37.7

See application file for complete search history.

(56) **References Cited**

U.S. PATENT DOCUMENTS

- D439,548 S * 3/2001 Kouchi et al. D12/1
- D494,890 S * 8/2004 Katoh D12/14
- D503,657 S * 4/2005 Katoh D12/14
- D504,638 S * 5/2005 Tanaka et al. D12/14
- D511,317 S * 11/2005 Tanaka et al. D12/1

- D511,715 S * 11/2005 Hohnl et al. D12/14
- D521,413 S * 5/2006 Katoh D12/1
- 7,093,580 B2 * 8/2006 McLeod 123/376
- 7,140,670 B2 * 11/2006 Olson 296/190.08
- 2005/0149246 A1 * 7/2005 McLeod 701/93
- 2005/0212244 A1 * 9/2005 Bobbitt et al. 280/86.751
- 2007/0236037 A1 * 10/2007 Kobayashi et al. 296/37.8

* cited by examiner

Primary Examiner—T. Chase Nelson

Assistant Examiner—Ania K Dworzecka

(74) *Attorney, Agent, or Firm*—Leong C. Lei

(57) **CLAIM**

The ornamental design for a utility vehicle, as shown and described.

DESCRIPTION

FIG. 1 is a front perspective view of a utility vehicle showing my new design;

FIG. 2 is a front side elevation view thereof;

FIG. 3 is a rear side elevation view thereof;

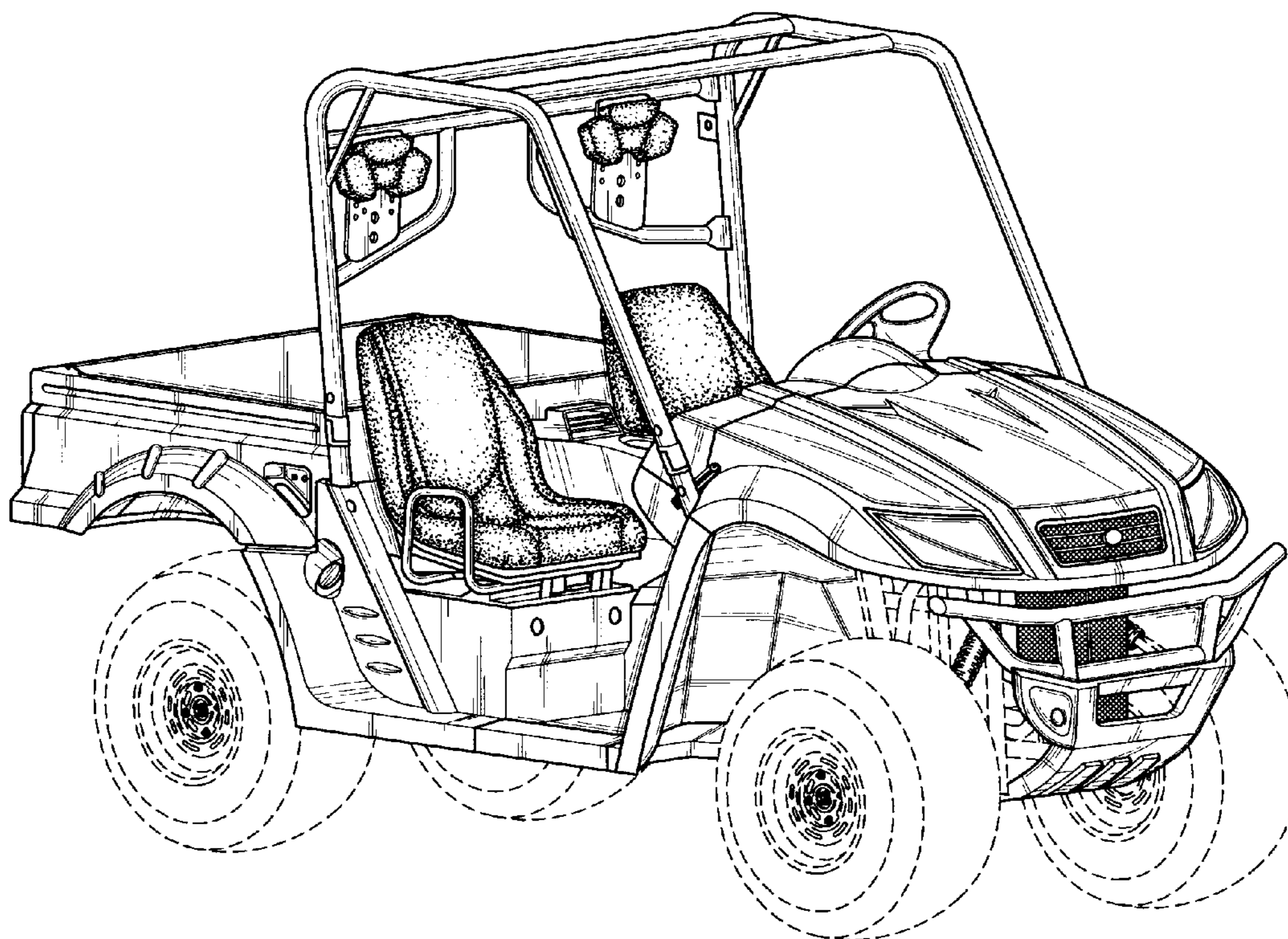
FIG. 4 is a left side elevation view thereof;

FIG. 5 is a right side elevation view thereof; and,

FIG. 6 is a top plan view thereof.

The portions of the vehicle shown in broken lines form no part of the claimed design.

1 Claim, 5 Drawing Sheets



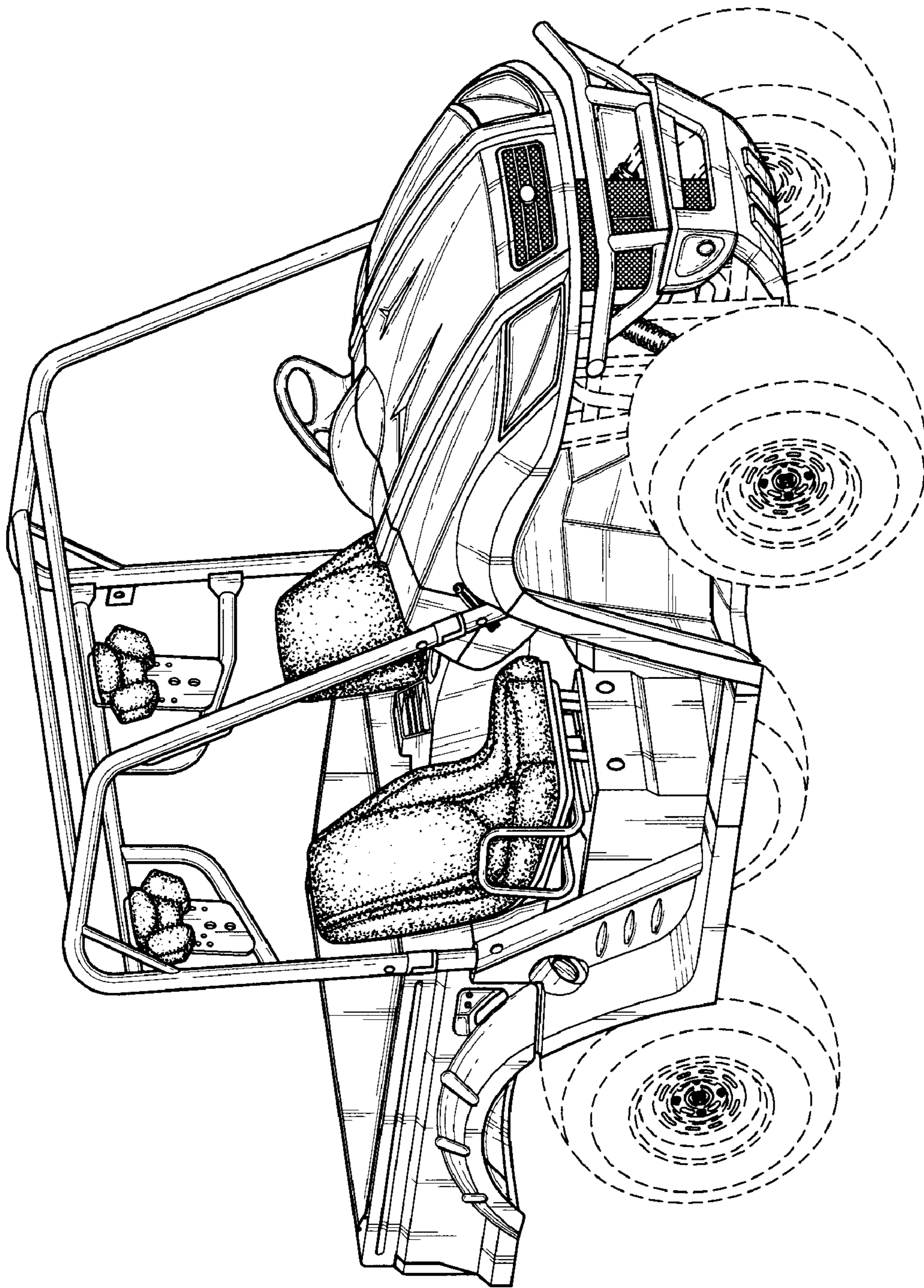


FIG.1

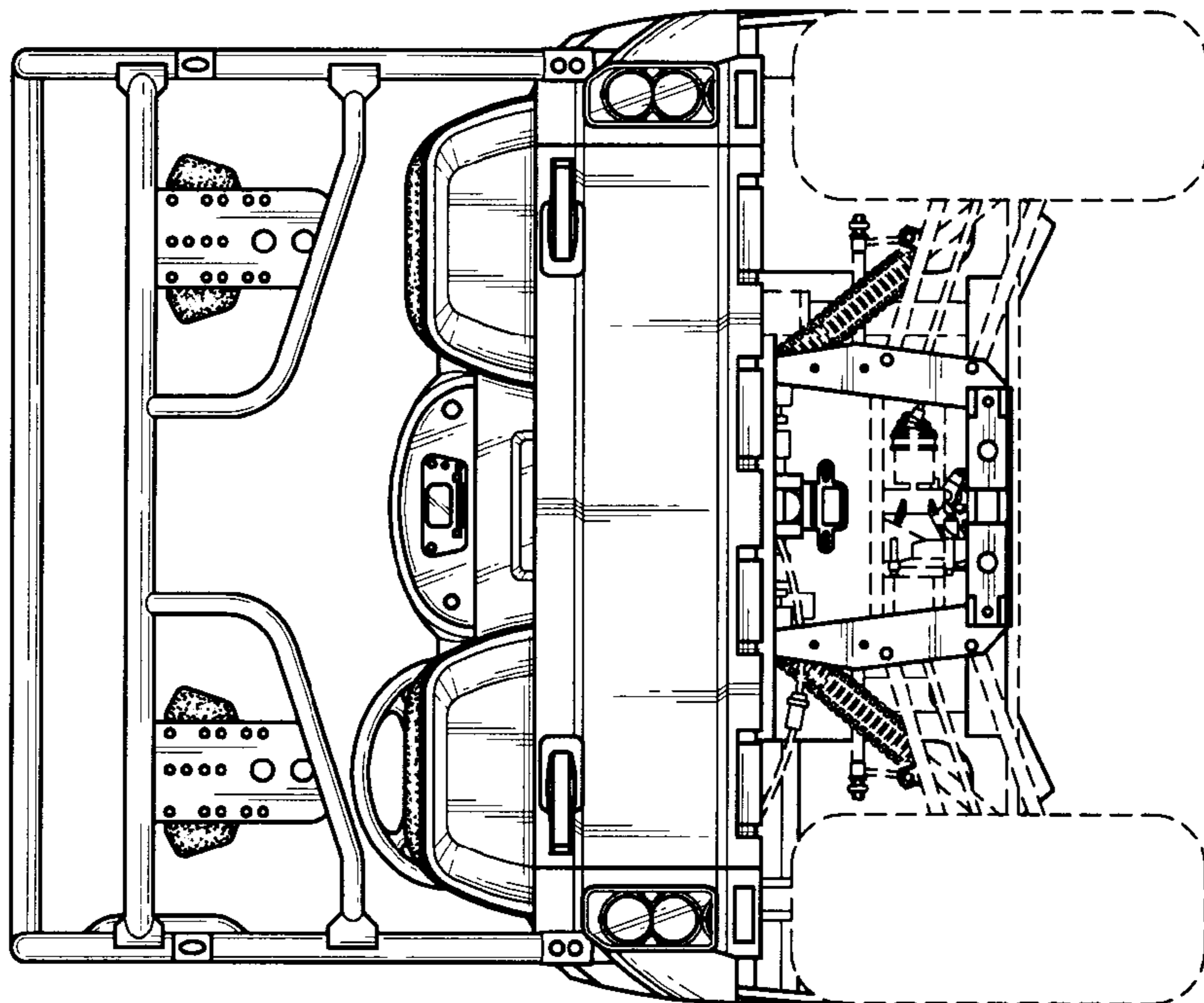


FIG.3

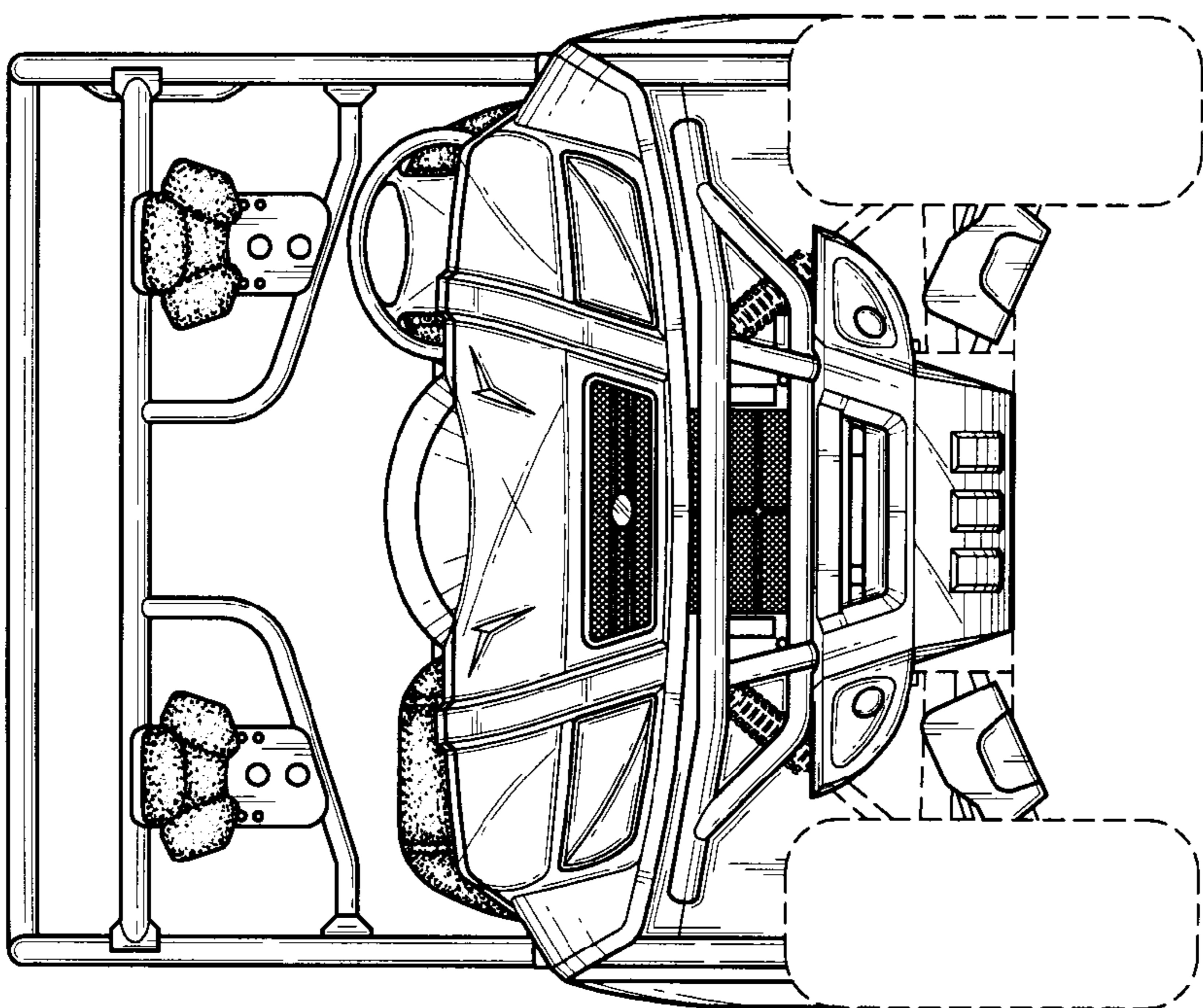


FIG.2

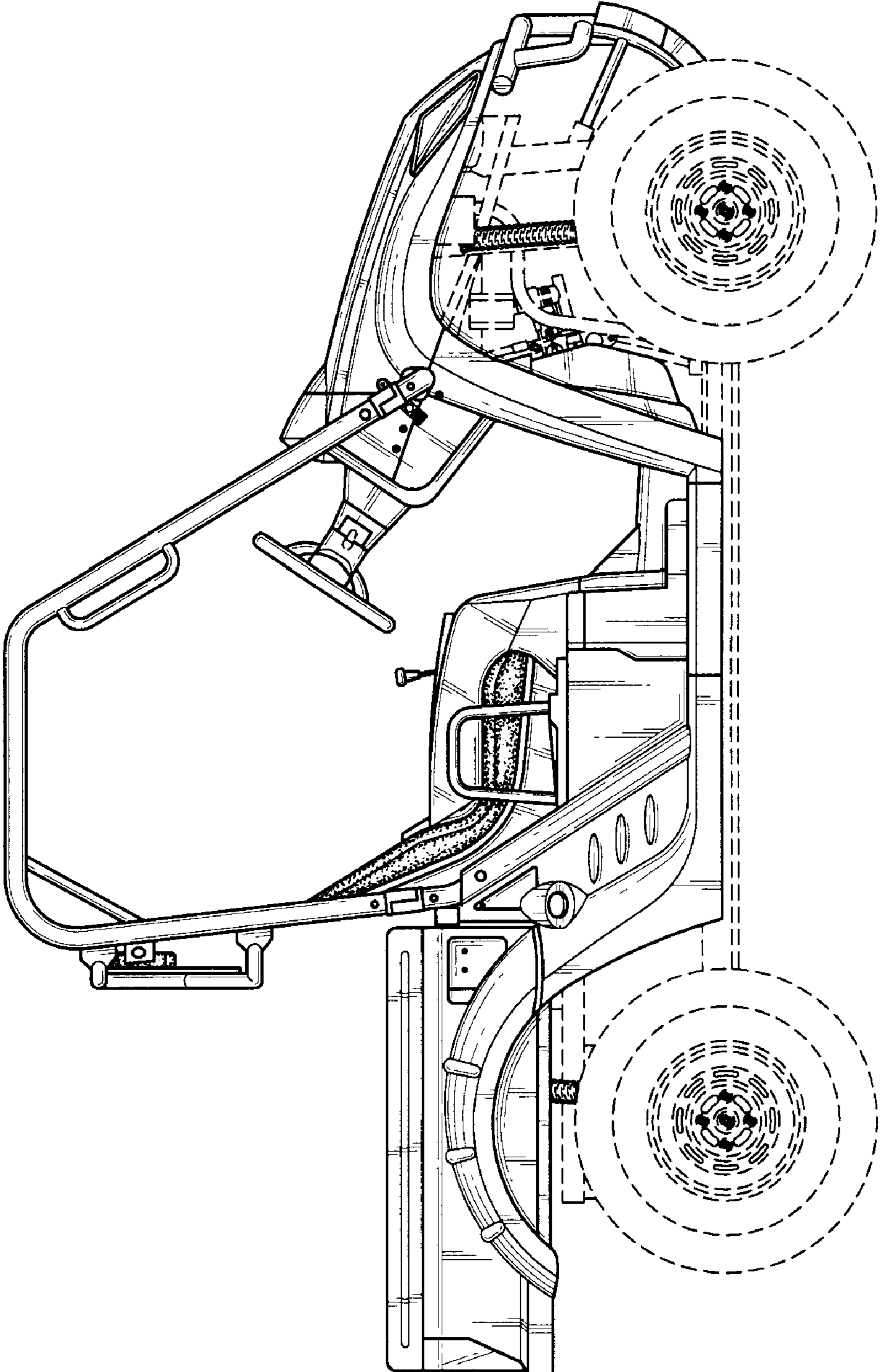


FIG.4

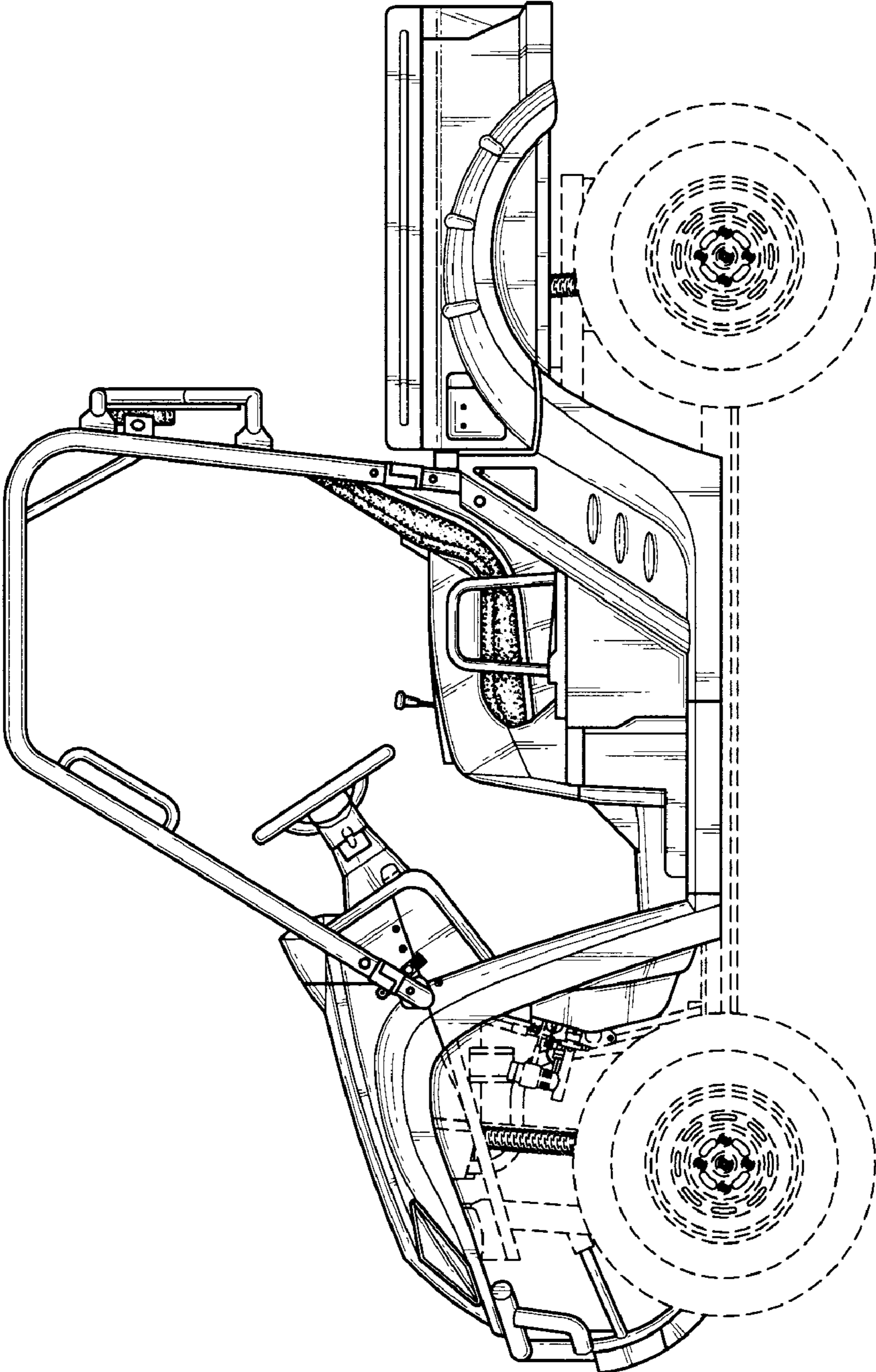


FIG.5

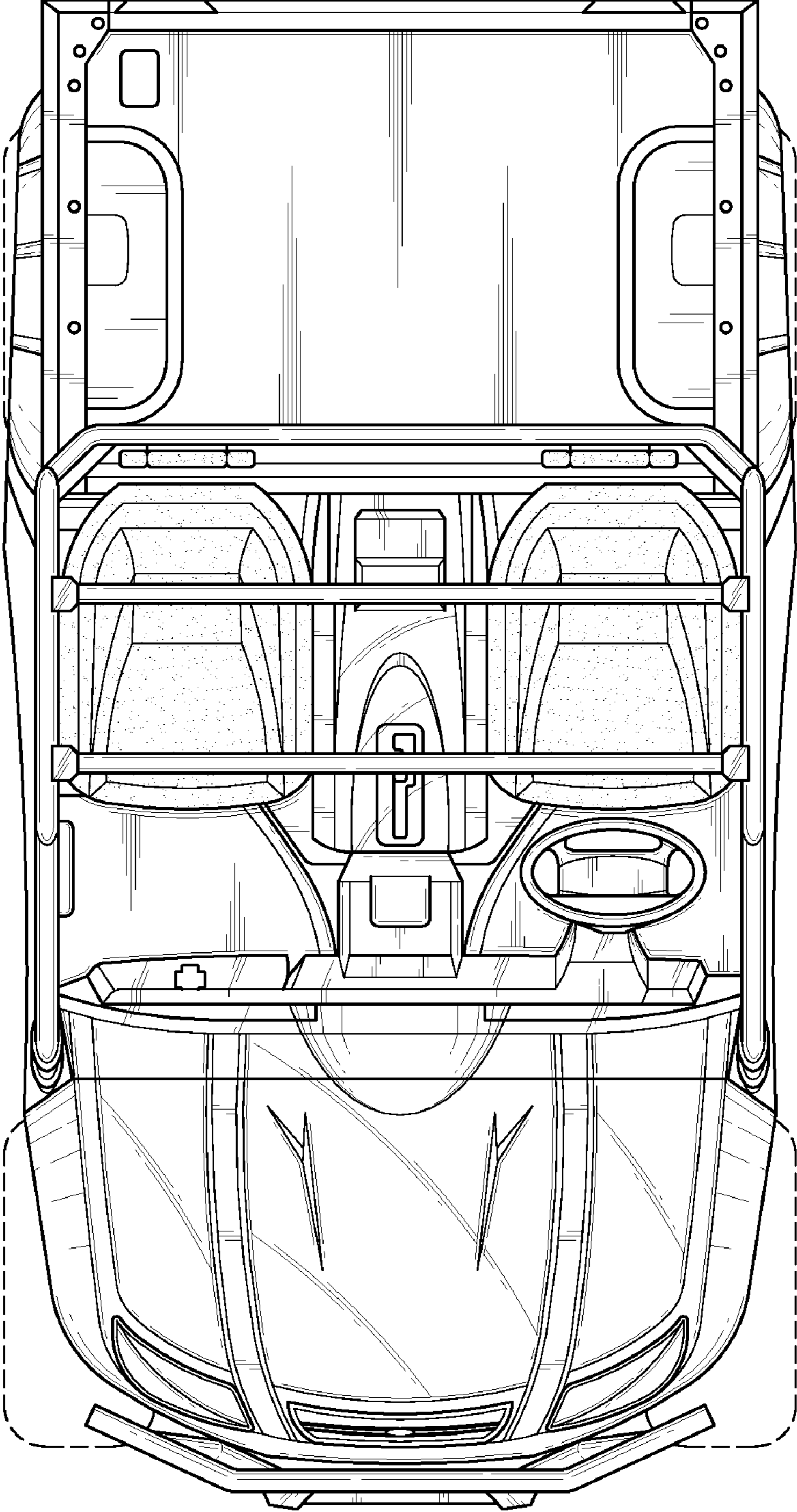


FIG.6