



US00D586688S

(12) **United States Design Patent**
Bromley et al.

(10) **Patent No.:** **US D586,688 S**
(45) **Date of Patent:** **** Feb. 17, 2009**

(54) **INDOOR GARDENING APPLIANCE**

(75) Inventors: **Robert Bromley**, Centennial, CO (US);
Robert E. Wainwright, Longmont, CO
(US); **W. Michael Bissonnette**, Boulder,
CO (US)

(73) Assignee: **AeroGrow International, Inc.**, Boulder,
CO (US)

(**) Term: **14 Years**

(21) Appl. No.: **29/235,880**

(22) Filed: **Aug. 8, 2005**

(51) **LOC (9) Cl.** **11-02**

(52) **U.S. Cl.** **D11/144**

(58) **Field of Classification Search** D6/403-405;
D7/561; D11/143-146, 152-154; D26/9,
D26/16, 19; D99/19, 23, 27; 47/32.7, 33,
47/39, 41.01, 41.1, 41.11, 44-47, 65.5, 65.8,
47/66.5-66.7, 67, 69, 71

See application file for complete search history.

(56) **References Cited**

U.S. PATENT DOCUMENTS

1,810,236 A	6/1931	Bender	
2,011,897 A	8/1935	Hauck	
2,431,890 A	12/1947	Raines	
2,720,725 A	10/1955	Peerless	
2,855,725 A	10/1958	Carothers	
3,078,985 A	2/1963	Robinson	
3,082,575 A	3/1963	Schulz	
3,137,096 A	6/1964	Hopkins	
3,168,797 A	2/1965	Patassy	
3,608,238 A	9/1971	Reuter	
3,660,933 A	5/1972	Wong, Jr.	
3,812,619 A	5/1974	Wood et al.	
3,830,013 A	8/1974	Lesley	
3,961,444 A	6/1976	Skaife	
3,973,355 A	8/1976	McKenzie	
D244,838 S *	6/1977	LeBreux D11/144
4,051,631 A	10/1977	Jones, III	
4,059,922 A	11/1977	DiGiacinto	

4,075,785 A	2/1978	Jones
4,124,953 A	11/1978	Patton
4,170,844 A	10/1979	Steele
4,175,355 A	11/1979	Dedolph
4,177,604 A	12/1979	Friesen
4,198,783 A	4/1980	Leroux
4,211,034 A	7/1980	Piesner
4,221,749 A	9/1980	Dedolph
4,236,353 A	12/1980	Sorenson
4,255,896 A	3/1981	Carl
4,302,906 A	12/1981	Kawabe et al.
4,310,990 A	1/1982	Payne

(Continued)

FOREIGN PATENT DOCUMENTS

CA 2335311 8/2002

(Continued)

OTHER PUBLICATIONS

U.S. Appl. No. 12/073,984, Bissonnette et al.

(Continued)

Primary Examiner—Caron Veynar

Assistant Examiner—Garth Rademaker

(74) *Attorney, Agent, or Firm*—Laura L. Conley

(57) **CLAIM**

The ornamental design for an indoor gardening appliance, as shown and described.

DESCRIPTION

FIG. 1 is a front elevation view of an indoor gardening appliance showing our new design;

FIG. 2 is a top, front, right side perspective view thereof;

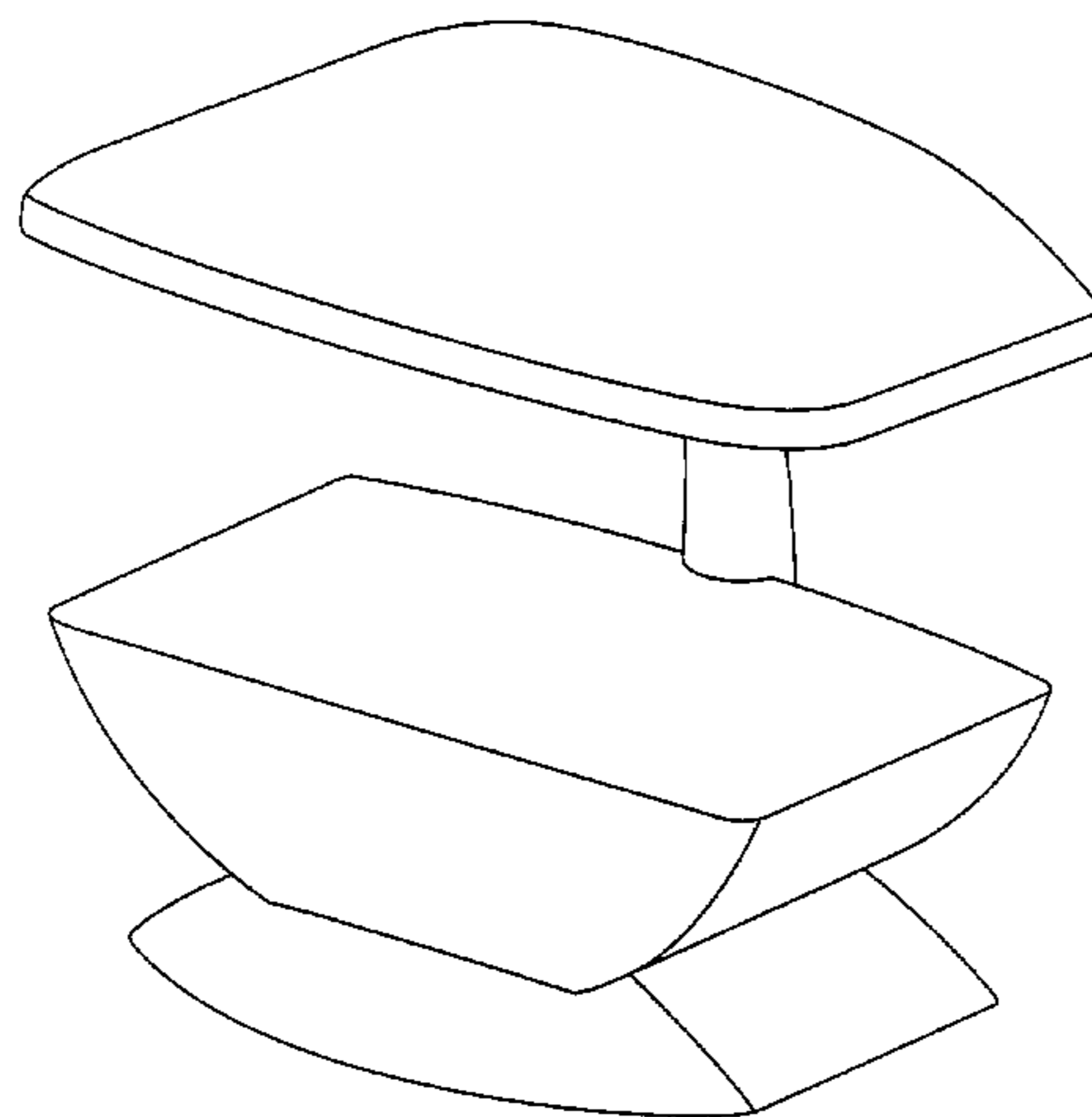
FIG. 3 is a back elevation view thereof;

FIG. 4 is a top, back, left side perspective view thereof; and,

FIG. 5 is a top plan view thereof.

The bottom of the indoor gardening appliance is flat and unadorned.

1 Claim, 5 Drawing Sheets



U.S. PATENT DOCUMENTS

4,332,105 A 6/1982 Nir
 4,392,327 A 7/1983 Sanders
 4,403,443 A 9/1983 Valente
 4,407,092 A * 10/1983 Ware D11/143
 4,420,903 A 12/1983 Ritter et al.
 4,454,684 A 6/1984 O'Hare
 4,495,310 A 1/1985 Dedolph
 4,584,791 A 4/1986 Wolf
 4,602,906 A 7/1986 Grunenfelder
 4,669,217 A 6/1987 Frazee
 RE32,476 E 8/1987 Kistner
 4,769,262 A 9/1988 Ferrar et al.
 4,790,105 A 12/1988 Wareing et al.
 4,791,754 A 12/1988 Demars, Jr.
 4,803,803 A 2/1989 Moffett
 4,934,096 A 6/1990 Bentvelsen
 4,976,064 A 12/1990 Julien
 4,979,332 A 12/1990 Nagaya et al.
 4,991,345 A 2/1991 Bloch
 5,010,686 A 4/1991 Rivest
 5,054,234 A 10/1991 Cassells
 5,067,275 A 11/1991 Constance
 D323,794 S * 2/1992 Wianecki D11/144
 5,136,804 A 8/1992 Rothem et al.
 5,201,141 A 4/1993 Ahm
 5,224,292 A 7/1993 Anton
 5,224,295 A 7/1993 Izzard
 5,224,598 A 7/1993 Angeles et al.
 5,252,108 A 10/1993 Banks
 D342,335 S 12/1993 Bowlby
 5,269,094 A 12/1993 Wolverton et al.
 5,347,753 A 9/1994 Dall
 D352,478 S 11/1994 Whittle et al.
 5,363,593 A 11/1994 Hsh
 5,394,647 A 3/1995 Blackford
 5,430,972 A * 7/1995 Wianecki 47/66.6
 5,440,836 A 8/1995 Lee
 D366,226 S * 1/1996 Foutes D11/144
 5,502,923 A 4/1996 Bradshaw
 5,525,505 A 6/1996 Young et al.
 5,546,700 A 8/1996 Kumpf
 5,555,676 A 9/1996 Lund
 5,557,884 A 9/1996 Deppe
 5,561,946 A 10/1996 Hsien et al.
 5,732,505 A 3/1998 Carlson et al.
 5,771,634 A 6/1998 Fudger
 D397,521 S 8/1998 Gomi
 5,799,439 A 9/1998 MacGregor
 5,927,006 A 7/1999 Elliott
 5,934,011 A 8/1999 Ishioka
 5,950,363 A 9/1999 Rotondo
 D416,102 S * 11/1999 Schulman et al. D11/144
 6,021,602 A 2/2000 Orsi
 6,070,359 A 6/2000 Liu
 6,085,461 A 7/2000 Brisson
 6,088,958 A 7/2000 Oka et al.
 6,120,008 A 9/2000 Littman et al.
 6,219,966 B1 4/2001 Lapointe et al.
 6,240,674 B1 6/2001 Otake et al.
 6,247,268 B1 6/2001 Auer
 6,276,089 B1 8/2001 Boisclair et al.
 6,314,675 B1 11/2001 Costa
 6,405,482 B1 6/2002 Skaife
 6,418,663 B1 7/2002 Smith
 6,516,563 B1 2/2003 Matthews
 6,555,219 B2 4/2003 Kosinski
 6,601,339 B1 8/2003 Parker et al.
 6,615,539 B1 9/2003 Obonai et al.
 6,634,138 B2 10/2003 Katzman

6,766,817 B2 7/2004 Da Silva
 6,918,404 B2 7/2005 Dias da Silva
 7,066,586 B2 6/2006 Da Silva
 7,069,691 B2 7/2006 Brooke et al.
 2001/0047617 A1 12/2001 Blossom
 2001/0054252 A1 12/2001 Kleinwachter
 2002/0104263 A1 8/2002 Chang
 2002/0184820 A1 12/2002 Mauney
 2003/0000140 A1 1/2003 Ahm
 2003/0056437 A1 3/2003 Costa
 2003/0089037 A1 5/2003 Ware
 2003/0167688 A1 9/2003 Atchley et al.
 2003/0213170 A1 11/2003 Snead et al.
 2003/0213171 A1 11/2003 Kruer et al.
 2003/0221366 A1 12/2003 Weiner et al.
 2003/0233787 A1 12/2003 Hartman
 2004/0049980 A1 3/2004 Principe et al.
 2005/0011118 A1 1/2005 Umbaugh
 2005/0076565 A1 4/2005 Terrell
 2005/0102895 A1 5/2005 Bissonnette et al.
 2005/0246954 A1 * 11/2005 Bissonnette et al. 47/62 A
 2005/0246955 A1 11/2005 Bissonnette et al.
 2005/0257424 A1 11/2005 Bissonnette et al.
 2005/0274824 A1 12/2005 Brooke et al.
 2006/0179711 A1 8/2006 Bissonnette et al.
 2006/0254332 A1 11/2006 Bissonnette et al.
 2006/0272205 A1 12/2006 Bissonnette et al.
 2006/0272210 A1 12/2006 Bissonnette et al.
 2007/0271841 A1 11/2007 Bissonnette et al.
 2007/0271842 A1 11/2007 Bissonnette et al.
 2008/0155894 A1 7/2008 Bissonnette et al.

FOREIGN PATENT DOCUMENTS

DE 3718288 A 12/1988
 DE 3917463 A1 12/1989
 EP 0 042 697 12/1981
 EP 0 052 264 5/1982
 EP 0473847 A1 9/1990
 FR 2615687 A1 12/1988
 GB 1599939 4/1978
 GB 2216378 10/1989
 JP 62-269624 11/1987
 JP 63-039517 A 2/1988
 JP 01-262736 A 10/1989
 JP 04-144621 A 5/1992
 JP 04-200328 A 7/1992
 JP 05-227835 9/1993
 JP 06-133646 A 5/1994
 JP 09-140282 A 6/1997
 JP 11-103701 A 4/1999
 WO WO 94/06274 3/1994
 WO WO 94/13129 6/1994
 WO WO 2005/055700 6/2005

OTHER PUBLICATIONS

U.S. Appl. No. 12/073,985, Bissonnette et al.
 U.S. Appl. No. 12/271,260, Bromley, Robert.
 U.S. Appl. No. 12/271,209, Bromley, Robert.
 U.S. Appl. No. 12/271,259, Bromley, Robert.
 EZHydroKit EZ Grow Guide, 2003, EzHydroKit, LLC, www.EzHydroKit.com.
 EZHydroKit Hydroponics FAQ, 2004, pp. 1-6, EzHydroKit, LLC, www.EzHydroKit.com.
 H.M. Resh, "Hydroponic Food Production", 2001, pp. 34-118, Sixth Edition, Woodbridge Press Publishing Company, Santa Barbara, CA, USA.
 Bubel, Nancy, "The New Seed Starters Handbook", 1988, pp. 28-35, Rodale Press, Emmaus, PA, USA.
 General Hydroponics Waterfarm®, printed Jun. 7, 2007, 1 page.

* cited by examiner

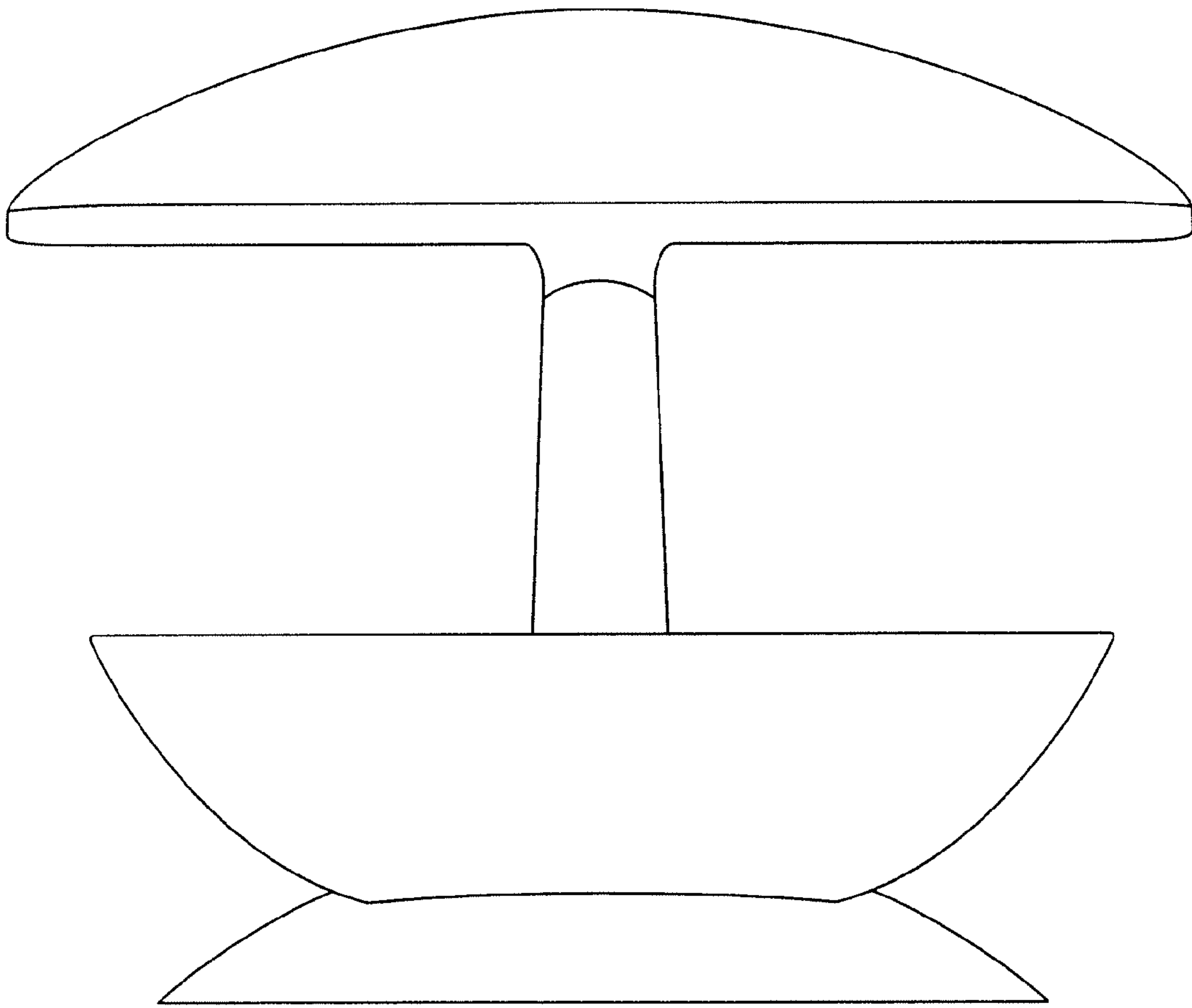


FIG. 1

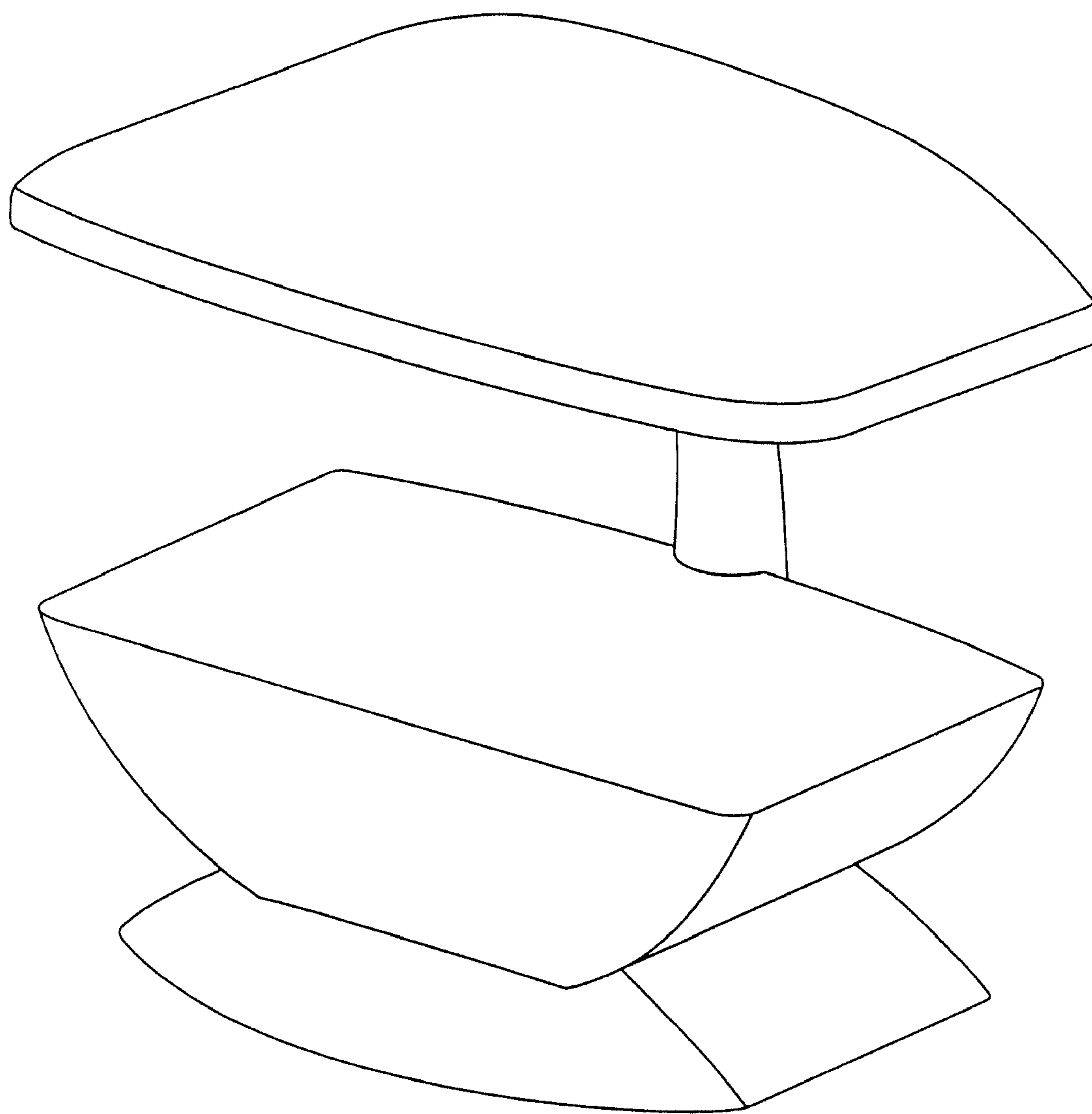


FIG. 2

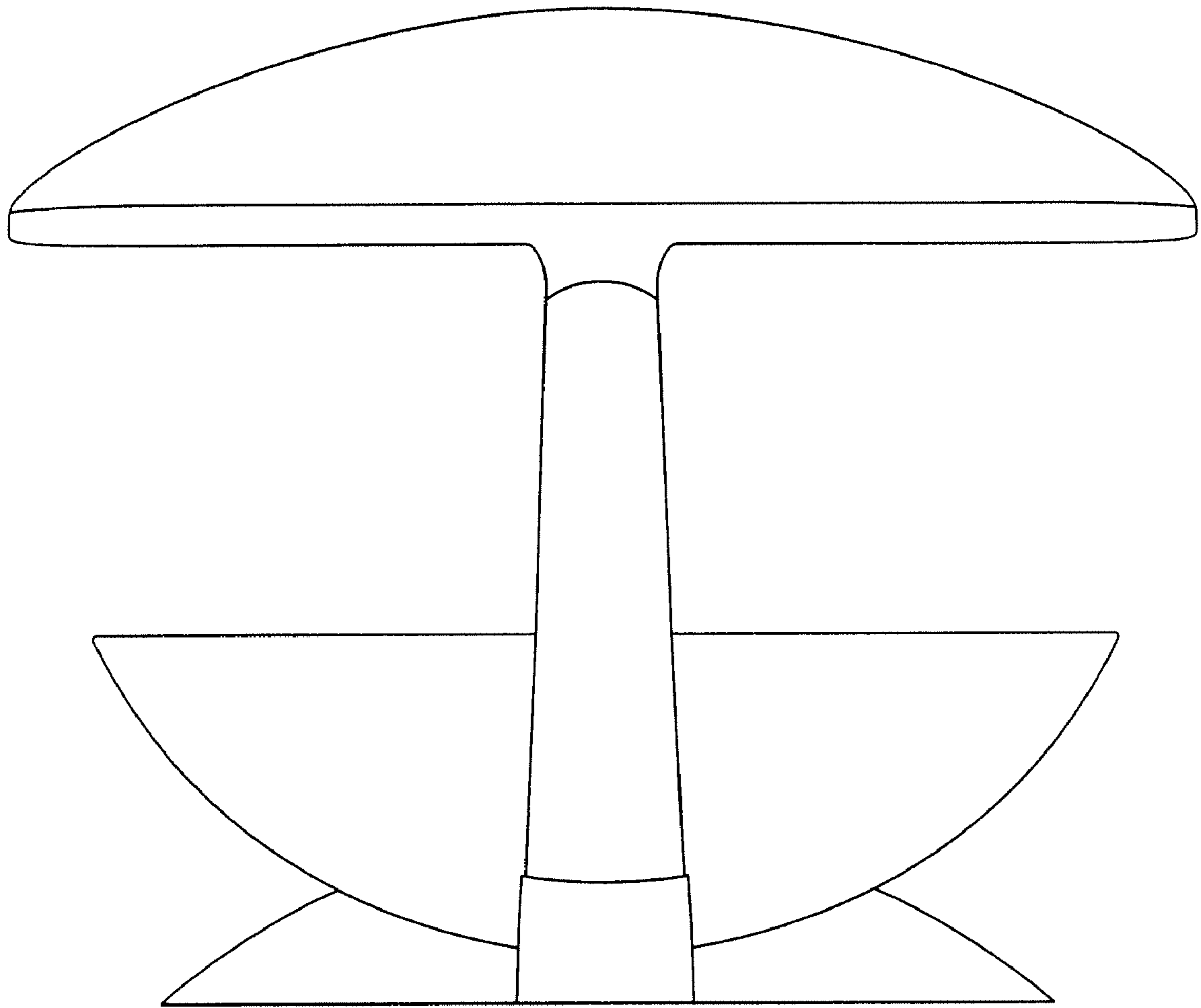


FIG. 3

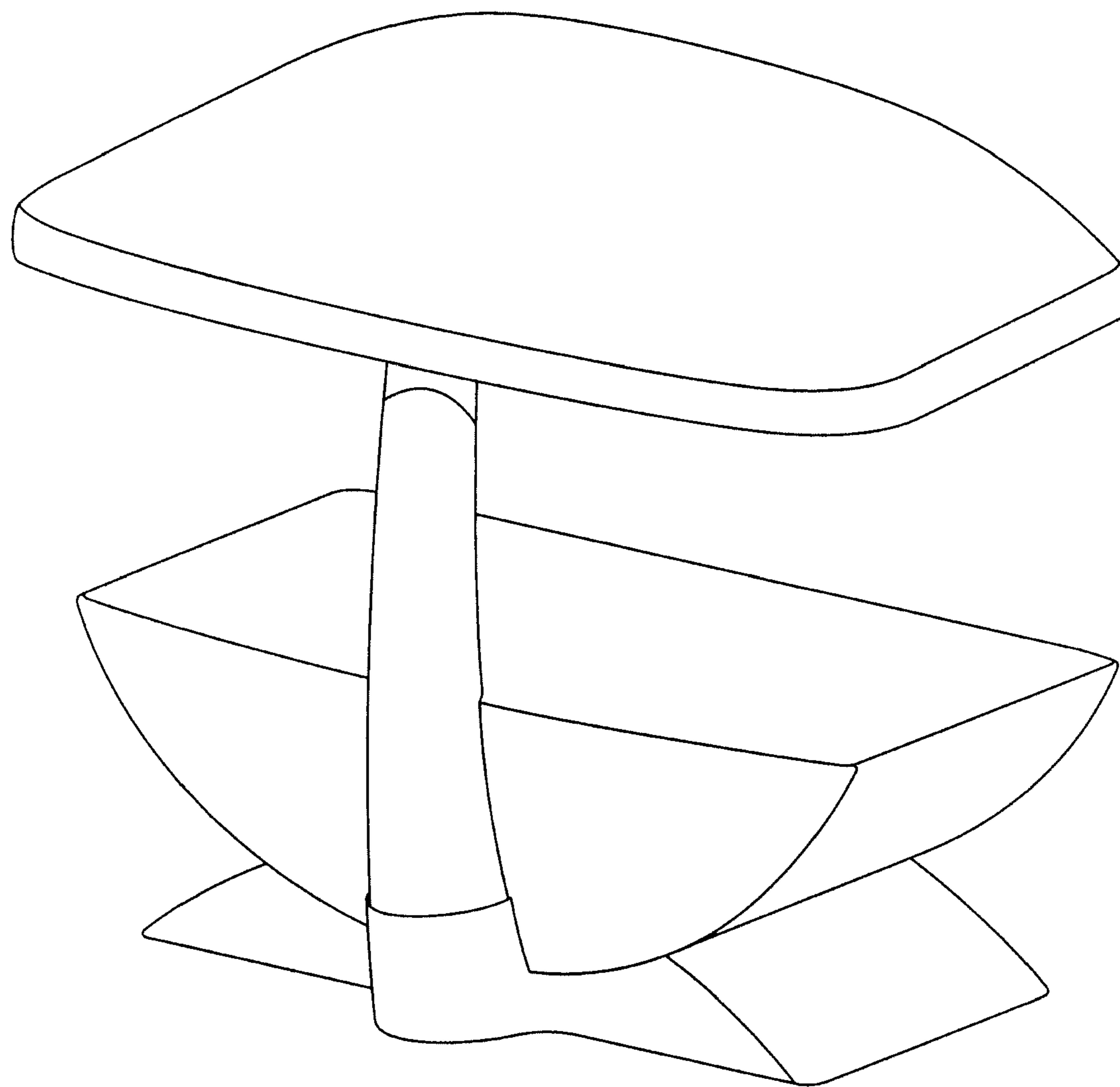


FIG. 4

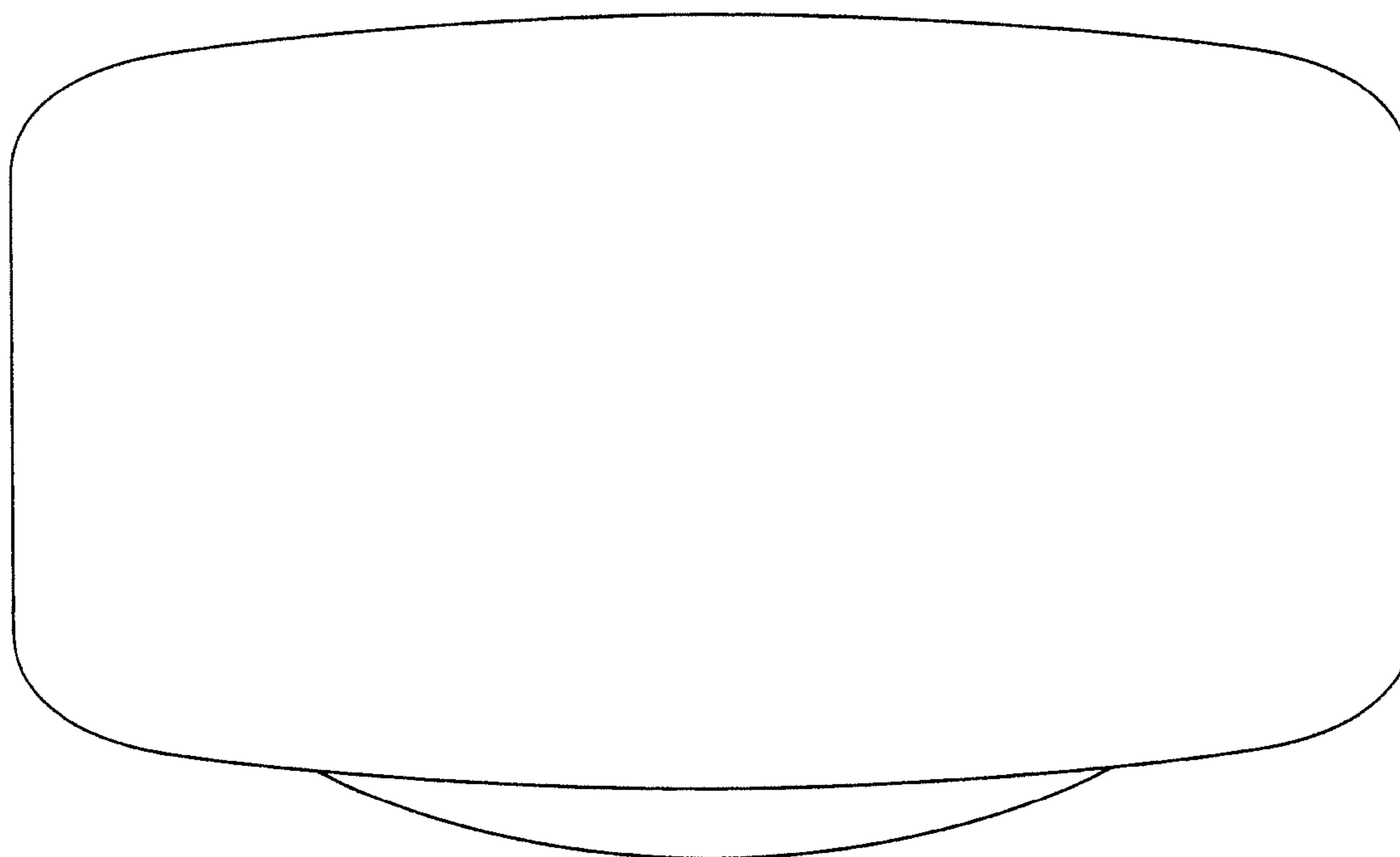


FIG. 5