



US00D586687S

(12) **United States Design Patent**
Bartl

(10) **Patent No.:** **US D586,687 S**

(45) **Date of Patent:** **** Feb. 17, 2009**

(54) **GEMSTONE OR ORNAMENTAL OBJECT**
MADE OF GLASS

Primary Examiner—R. Seifert

(74) *Attorney, Agent, or Firm*—Wenderoth, Lind & Ponack,
L.L.P.

(75) **Inventor:** **Richard Bartl**, Terfens (AT)

(57) **CLAIM**

(73) **Assignee:** **Swarovski Aktiengesellschaft**, Triesen
(LI)

The ornamental design for the gemstone or ornamental object
made of glass, as shown and described.

(**) **Term:** **14 Years**

(21) **Appl. No.:** **29/300,927**

DESCRIPTION

(22) **Filed:** **May 30, 2008**

FIG. 1 is a bottom view of the gemstone or ornamental object
made of glass according to a first embodiment;

(30) **Foreign Application Priority Data**

Dec. 7, 2007 (EM) 000839287-0003

FIG. 2 is a left end view of the gemstone or ornamental object
made of glass according to the first embodiment;

(51) **LOC (9) Cl.** **11-01**

(52) **U.S. Cl.** **D11/90; D11/222**

(58) **Field of Classification Search** D11/1-2,
D11/26-29, 89-92, 222; 63/26-28, 32
See application file for complete search history.

FIG. 3 is a front view of the gemstone or ornamental object
made of glass according to the first embodiment;

FIG. 4 is a right end view of the gemstone or ornamental
object made of glass according to the first embodiment;

FIG. 5 is a rear view of the gemstone or ornamental object
made of glass according to the first embodiment;

(56) **References Cited**

U.S. PATENT DOCUMENTS

D560,544 S * 1/2008 Mosmann D11/90

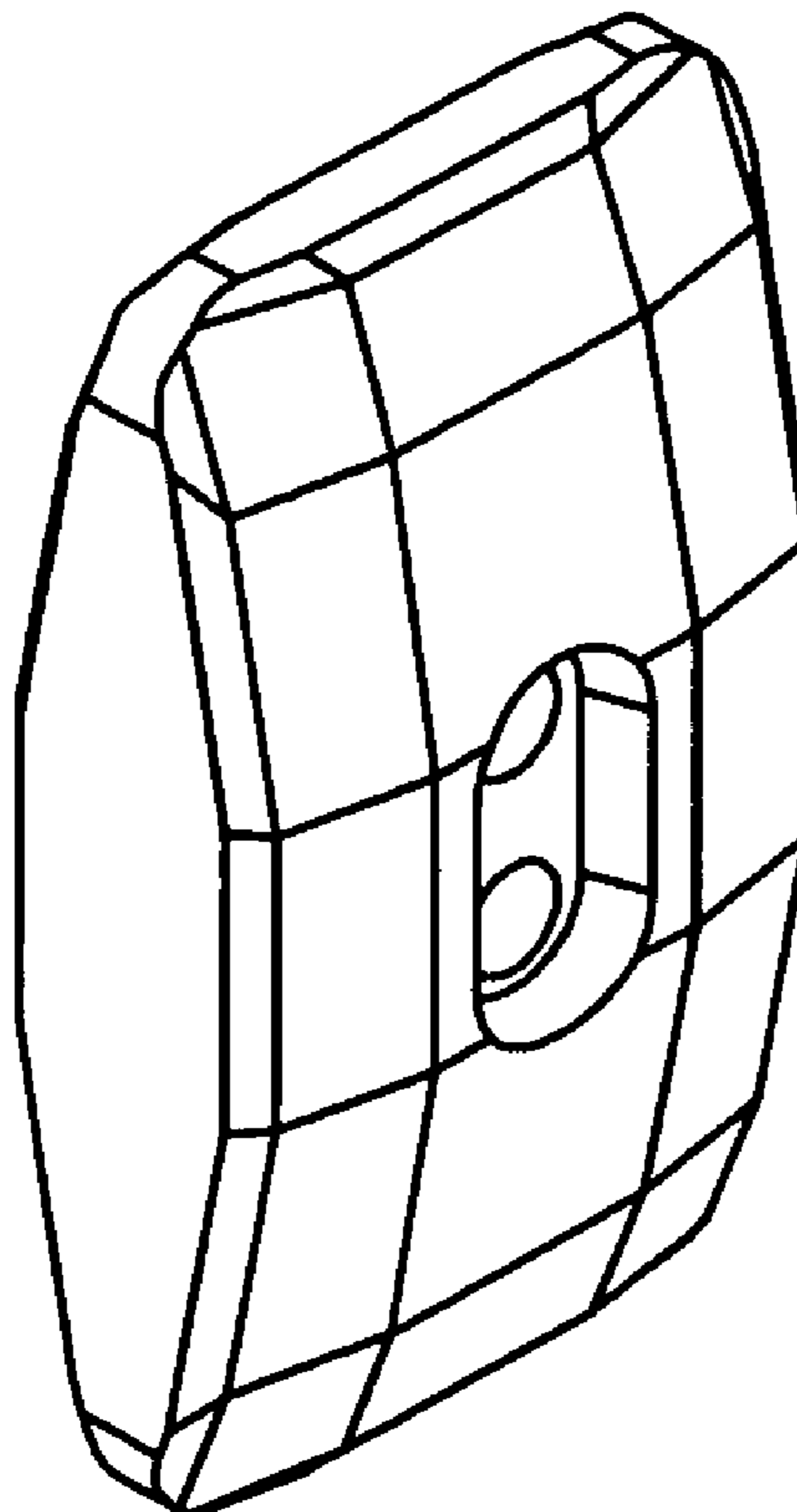
D560,545 S * 1/2008 Schneider D11/90

FIG. 6 is a top view of the gemstone or ornamental object
made of glass according to the first embodiment; and,

FIG. 7 is a prospective view of the gemstone or ornamental
object made of glass according to a first embodiment.

* cited by examiner

1 Claim, 1 Drawing Sheet



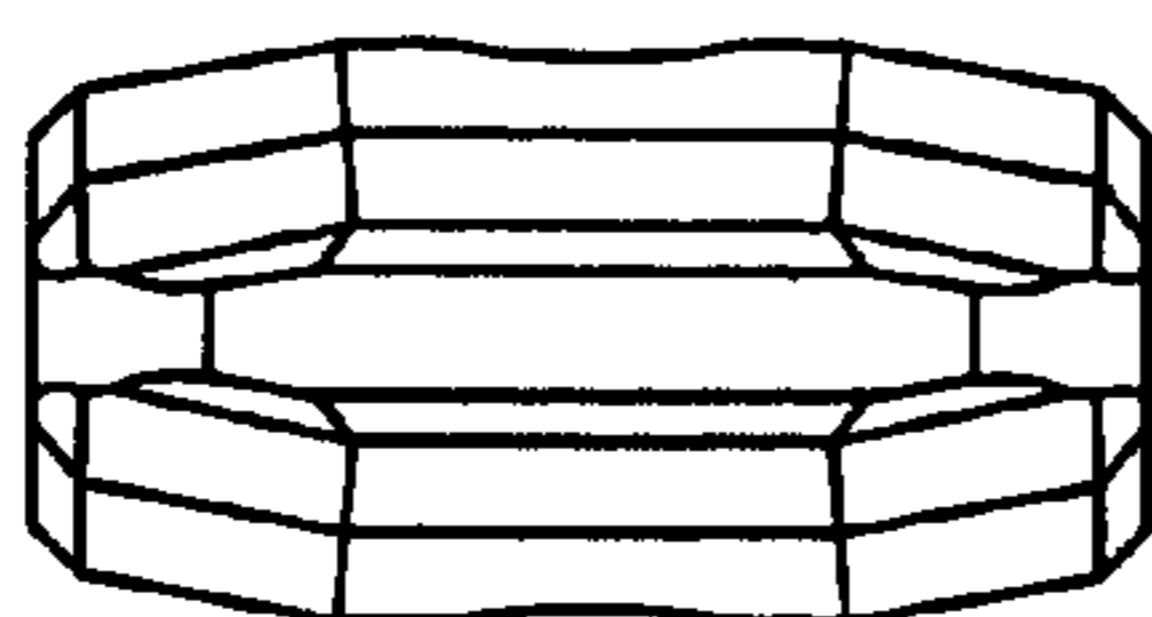


Fig. 1

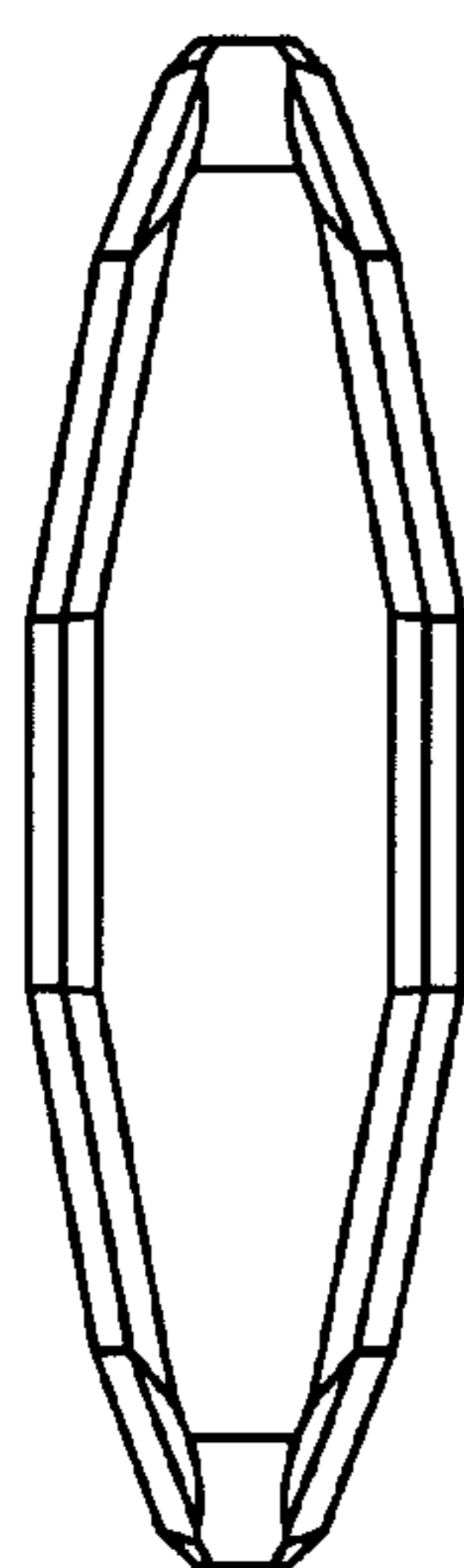


Fig. 2

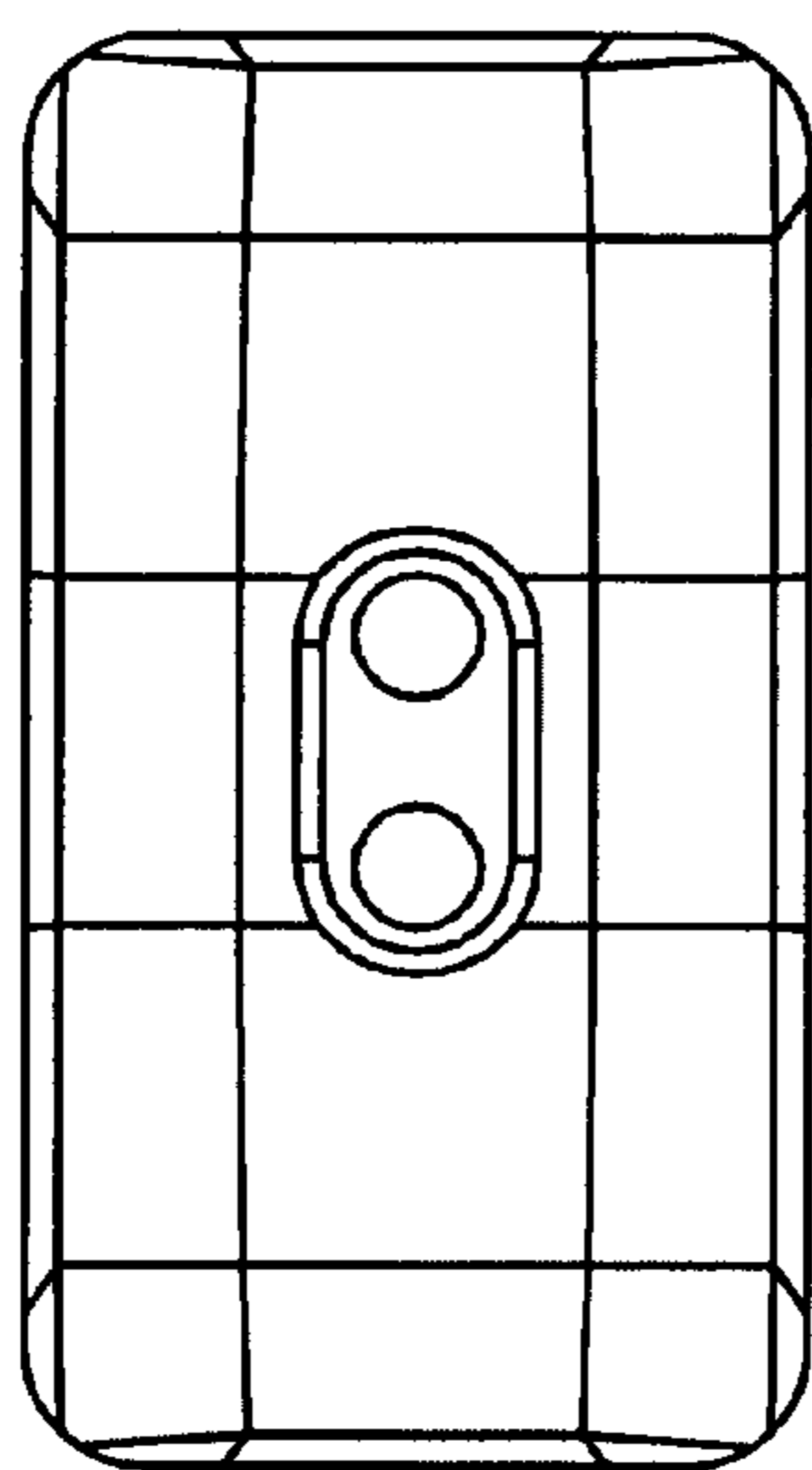


Fig. 3

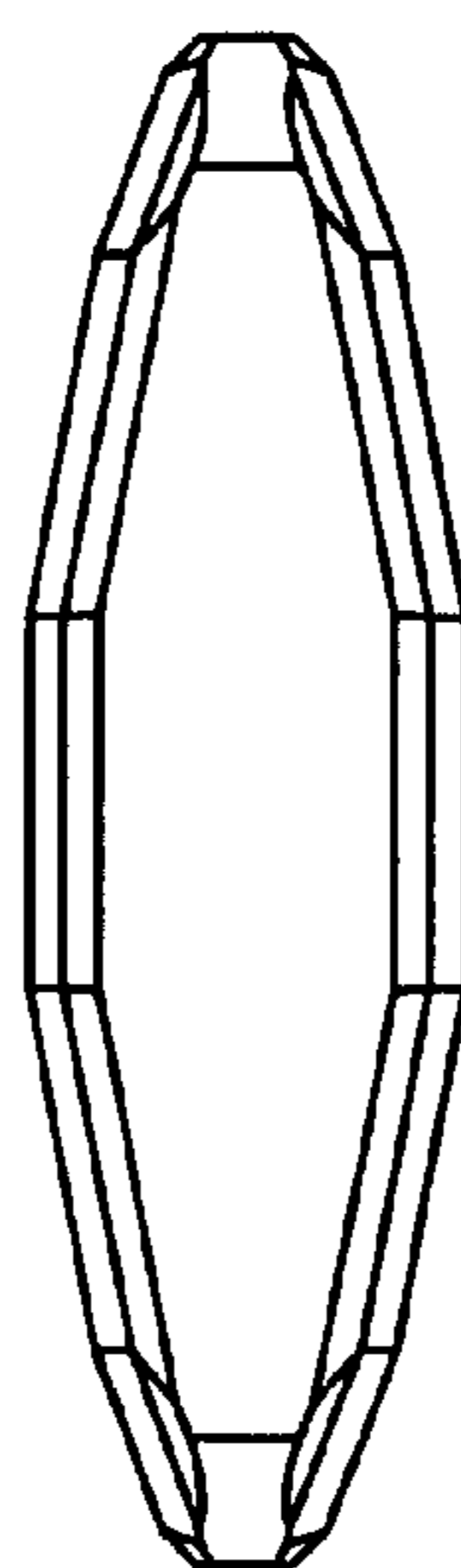


Fig. 4

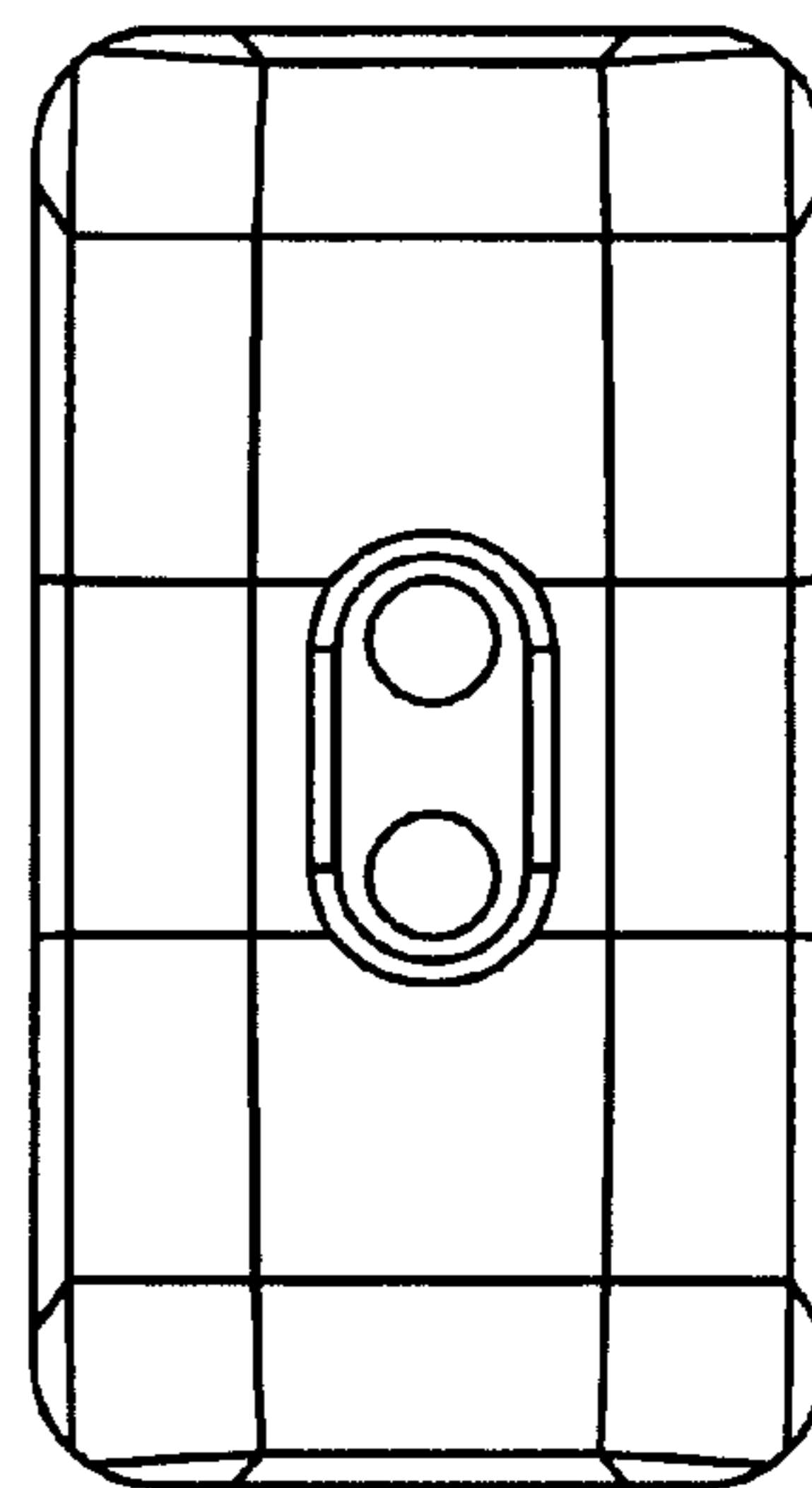


Fig. 5

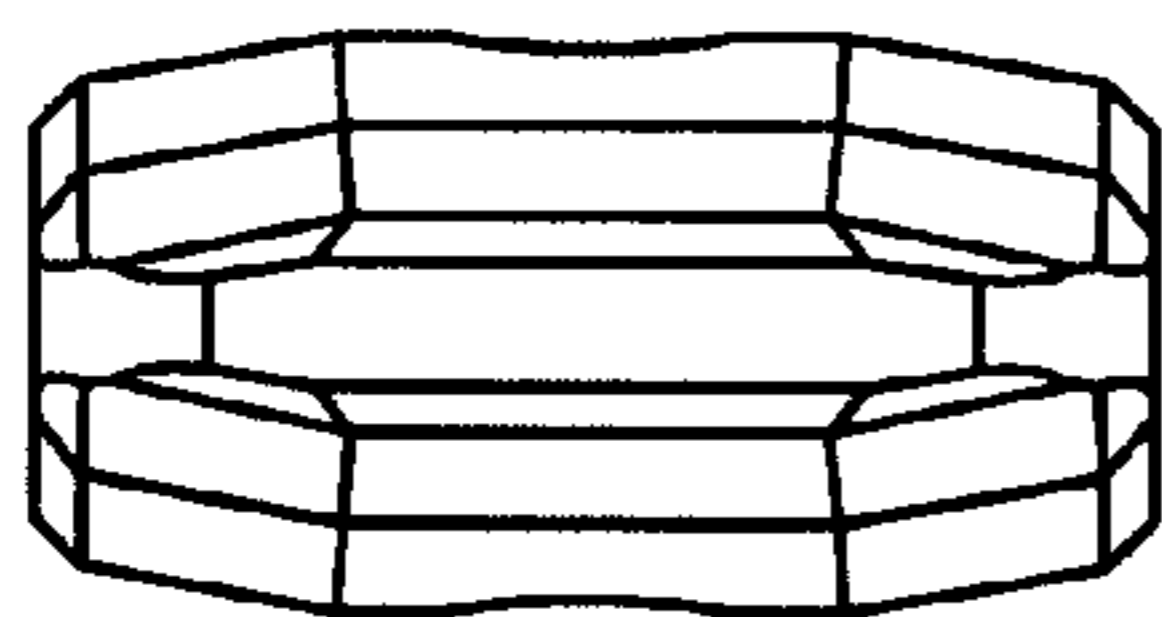


Fig. 6

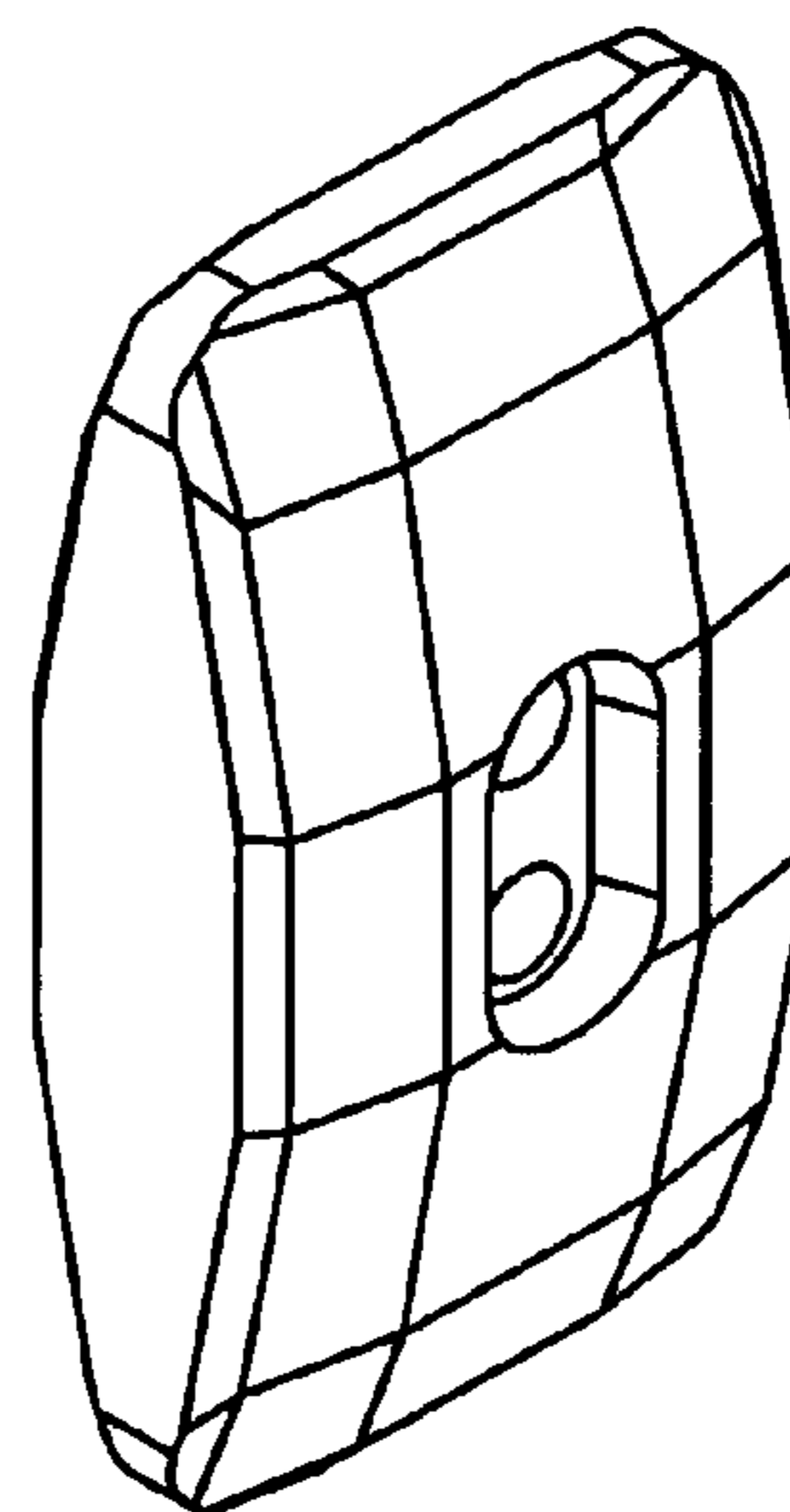


Fig. 7