



US00D586686S

(12) **United States Design Patent**  
**Bell**

(10) **Patent No.:** **US D586,686 S**

(45) **Date of Patent:** **\*\* Feb. 17, 2009**

(54) **PENDANT**

(76) **Inventor:** **James A. Bell**, 2603 Clinton St.,  
Longview, TX (US) 75604

(\*\*) **Term:** **14 Years**

(21) **Appl. No.:** **29/317,550**

(22) **Filed:** **May 1, 2008**

(51) **LOC (9) Cl.** ..... **11-01**

(52) **U.S. Cl.** ..... **D11/82**

(58) **Field of Classification Search** ..... D11/1-2,  
D11/40-41, 43-50, 53, 56, 60, 63, 65, 67,  
D11/75-78.1, 86, 89, 95-105, 108-109, 115-116,  
D11/61, 81-82; 63/1.11, 1.12, 1.13, 1.14,  
63/1.16, 1.18, 13, 14.1, 35, 38, 39  
See application file for complete search history.

(56) **References Cited**

**U.S. PATENT DOCUMENTS**

2,200,454 A	5/1940	Rahn	
D220,701 S *	5/1971	Honzik .....	D11/96
D238,811 S *	2/1976	Ziglar et al. ....	D11/50
D244,516 S	5/1977	Lewis	
D246,356 S	11/1977	Fox	
D246,607 S	12/1977	Radisich	
D247,881 S *	5/1978	Hitchens .....	D11/41

D299,579 S	1/1989	Jones	
D314,728 S *	2/1991	Wick .....	D11/50
D376,245 S	12/1996	Brantley-Alcock	
D382,226 S *	8/1997	Howard .....	D11/100
D401,885 S	12/1998	Goldstein et al.	
D449,246 S	10/2001	Carmel	
D473,484 S	4/2003	Bernsen	
D479,763 S	9/2003	Miller	
D570,242 S *	6/2008	Howle, III .....	D11/82

\* cited by examiner

*Primary Examiner*—R. Seifert

(57) **CLAIM**

The ornamental design for a pendant, as shown.

**DESCRIPTION**

FIG. 1 is a perspective view of a new pendant;

FIG. 2 is a side view thereof;

FIG. 3 is a front view thereof;

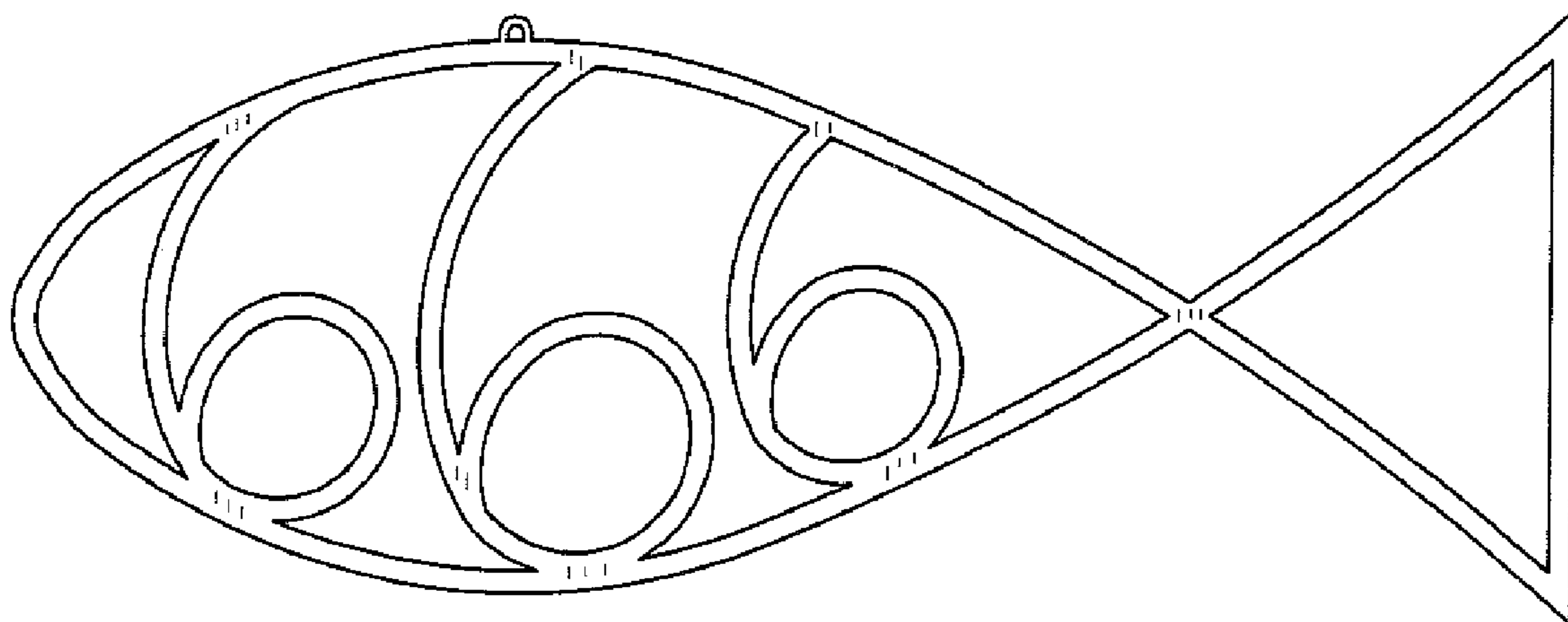
FIG. 4 is a back view thereof;

FIG. 5 is a top view thereof; and,

FIG. 6 is a bottom view thereof.

The broken lines are for illustrative purposes only and form no part of the claimed design.

**1 Claim, 2 Drawing Sheets**



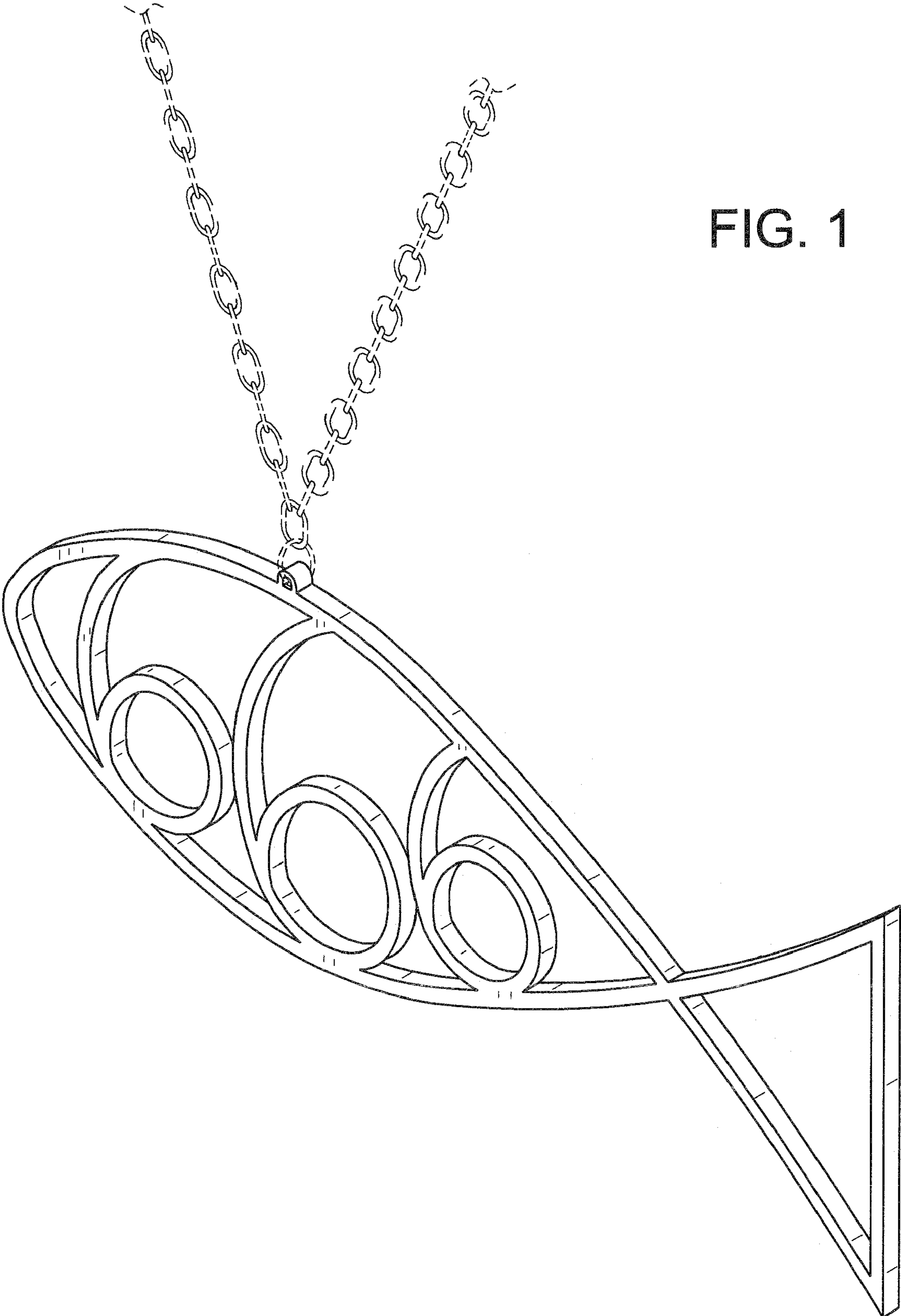


FIG. 1

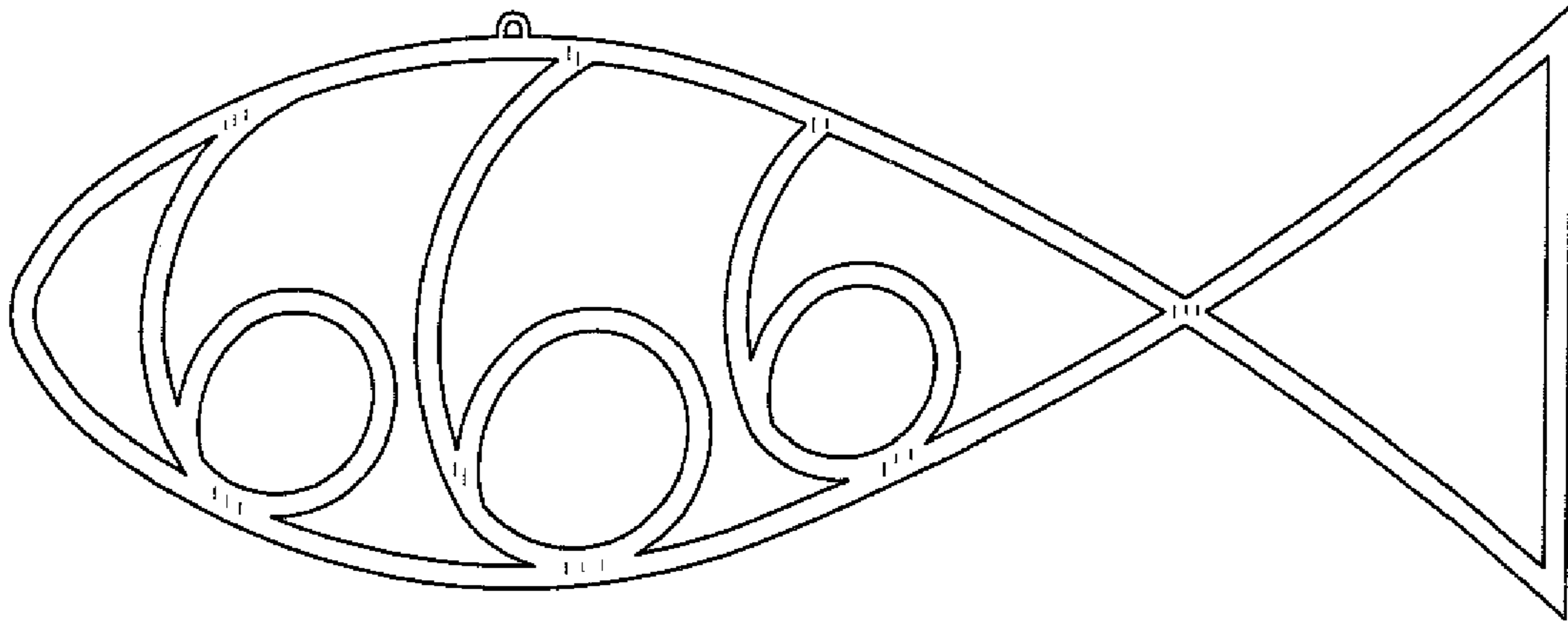


FIG. 2



FIG. 3

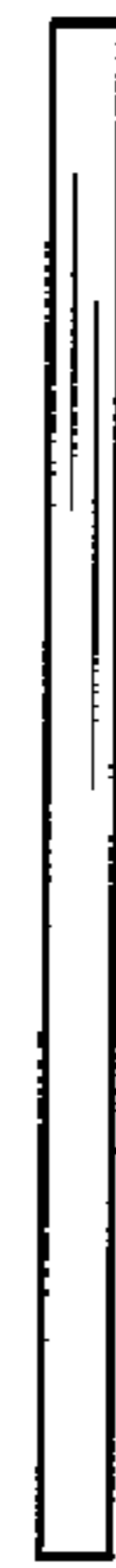


FIG. 4

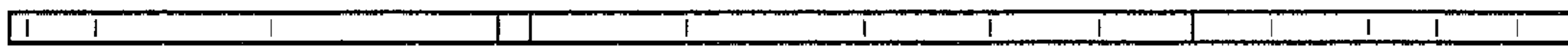


FIG. 5

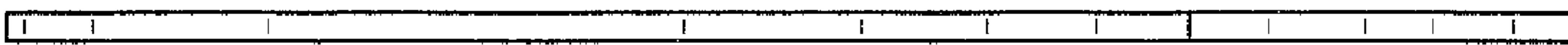


FIG. 6