



US00D586682S

(12) **United States Design Patent**
Waldman

(10) **Patent No.:** **US D586,682 S**

(45) **Date of Patent:** **** Feb. 17, 2009**

(54) **WATCH FACE**

(75) Inventor: **Matthew Waldman**, New York, NY
(US)

(73) Assignee: **Nooka, Inc.**, New York, NY (US)

(**) Term: **14 Years**

(21) Appl. No.: **29/249,516**

(22) Filed: **Oct. 10, 2006**

(51) **LOC (9) Cl.** **10-07**

(52) **U.S. Cl.** **D10/125**

(58) **Field of Classification Search** D10/30-39,
D10/122-126; 368/29-30, 239-242, 82-84,
368/223, 232, 276, 281, 282, 80, 228
See application file for complete search history.

(56) **References Cited**

U.S. PATENT DOCUMENTS

D112,263	S	*	11/1938	Wadsworth	D10/38
2,439,274	A	*	4/1948	Spector	224/168
2,532,161	A	*	11/1950	Gomberg	224/179
D202,061	S	*	8/1965	Montese-Caruso	D10/38
3,361,311	A	*	1/1968	Sartarelli	224/176
3,503,203	A	*	3/1970	Gruner et al.	368/21
D225,124	S	*	11/1972	Osawa	D10/39
4,077,032	A	*	2/1978	Volkman	368/29
4,204,399	A	*	5/1980	Heynisch	368/240
4,205,522	A	*	6/1980	Takami	368/84
4,212,159	A	*	7/1980	Noble et al.	368/82
D256,677	S	*	9/1980	Muramatsu	D10/39
4,255,806	A	*	3/1981	Fahrenschon et al.	368/240
D261,733	S	*	11/1981	Iida	D10/39
D266,831	S	*	11/1982	Iida	D10/38
D270,430	S	*	9/1983	Fukuoka	D10/39

4,459,034	A	*	7/1984	Kawabata et al.	368/240
4,742,501	A	*	5/1988	Coster	368/82
D299,316	S	*	1/1989	Vickery	D10/15
D387,674	S	*	12/1997	Papiernik	D10/30
D397,622	S	*	9/1998	de Baschmakoff	D10/39
D417,628	S	*	12/1999	Bunz	D10/39
D441,665	S	*	5/2001	Giardiello	D10/32
6,271,901	B1	*	8/2001	Ide et al.	349/96
D471,822	S	*	3/2003	Goeckeritz	D10/32
D473,802	S	*	4/2003	Berliat	D10/39
6,587,400	B1	*	7/2003	Line	368/88
D498,683	S	*	11/2004	Arabov	D10/39
D504,333	S	*	4/2005	Arabov	D10/39
D522,886	S	*	6/2006	Bolt et al.	D10/34
D559,127	S	*	1/2008	Bolt et al.	D10/39

* cited by examiner

Primary Examiner—Lucy Lieberman

(74) *Attorney, Agent, or Firm*—George R. McGuire; Bond Schoeneck & King PLLC

(57) **CLAIM**

The ornamental design for a watch face, as shown and described.

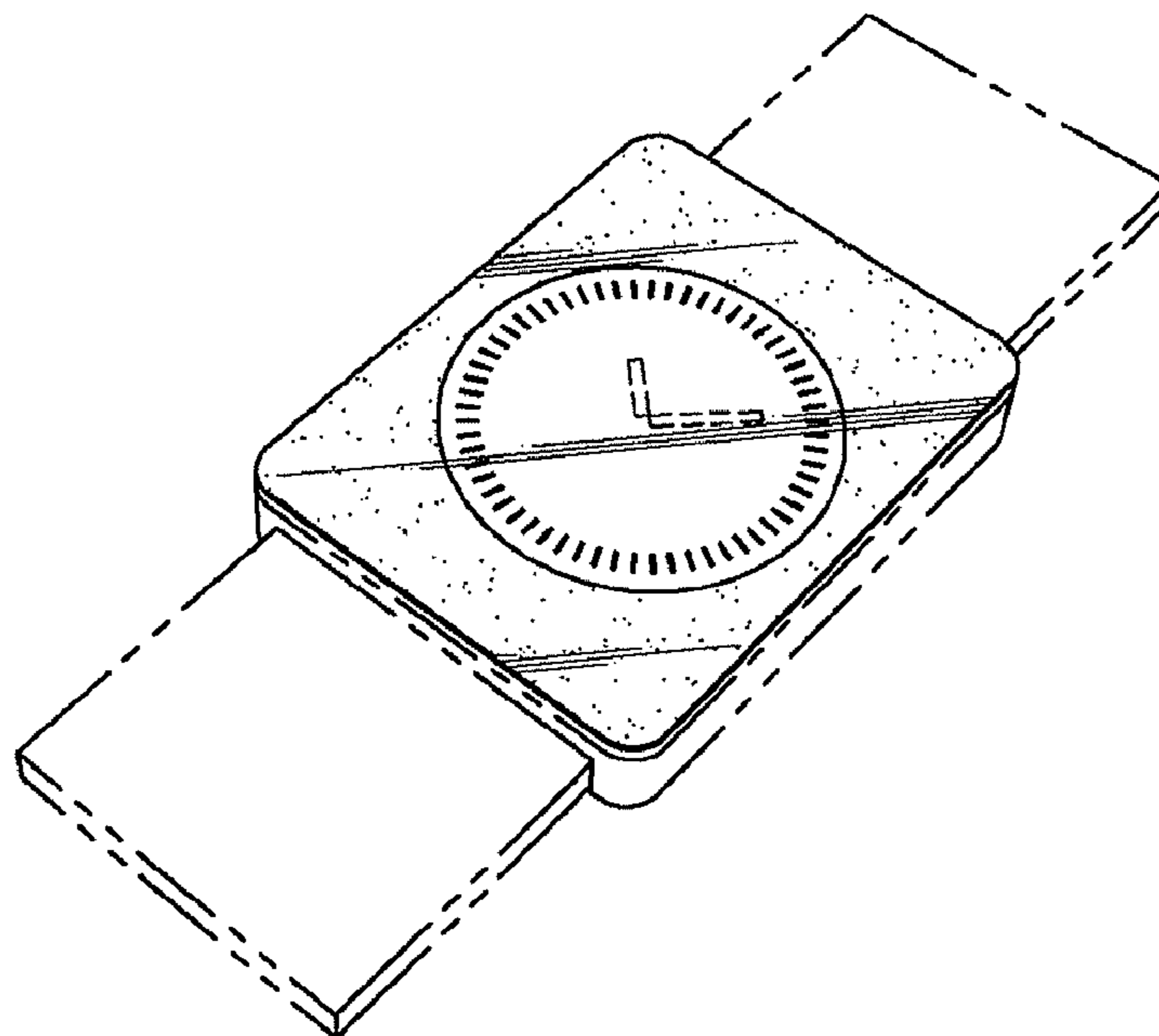
DESCRIPTION

FIG. 1 is a perspective view of my new and original design for a vertically oriented mirrored watch face and with portions, including the watch band, the watch hands, and the watch body, shown in phantom for environmental purposes only and forming no part of the claimed invention;

FIG. 2 is a top plan view thereof; and,

FIG. 3 is a top plan view of an alternate embodiment wherein the watch face extends horizontally.

1 Claim, 1 Drawing Sheet



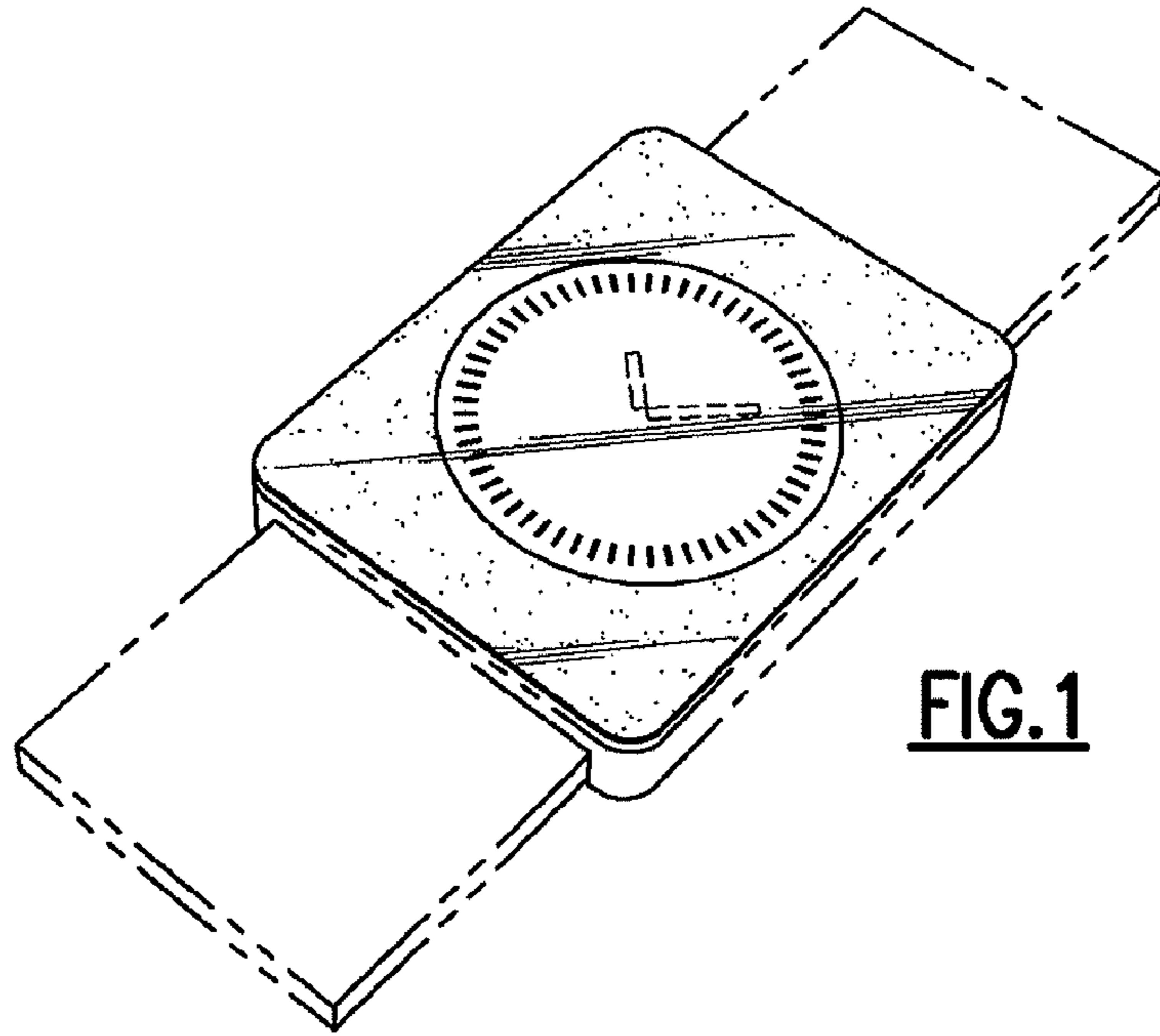


FIG. 1

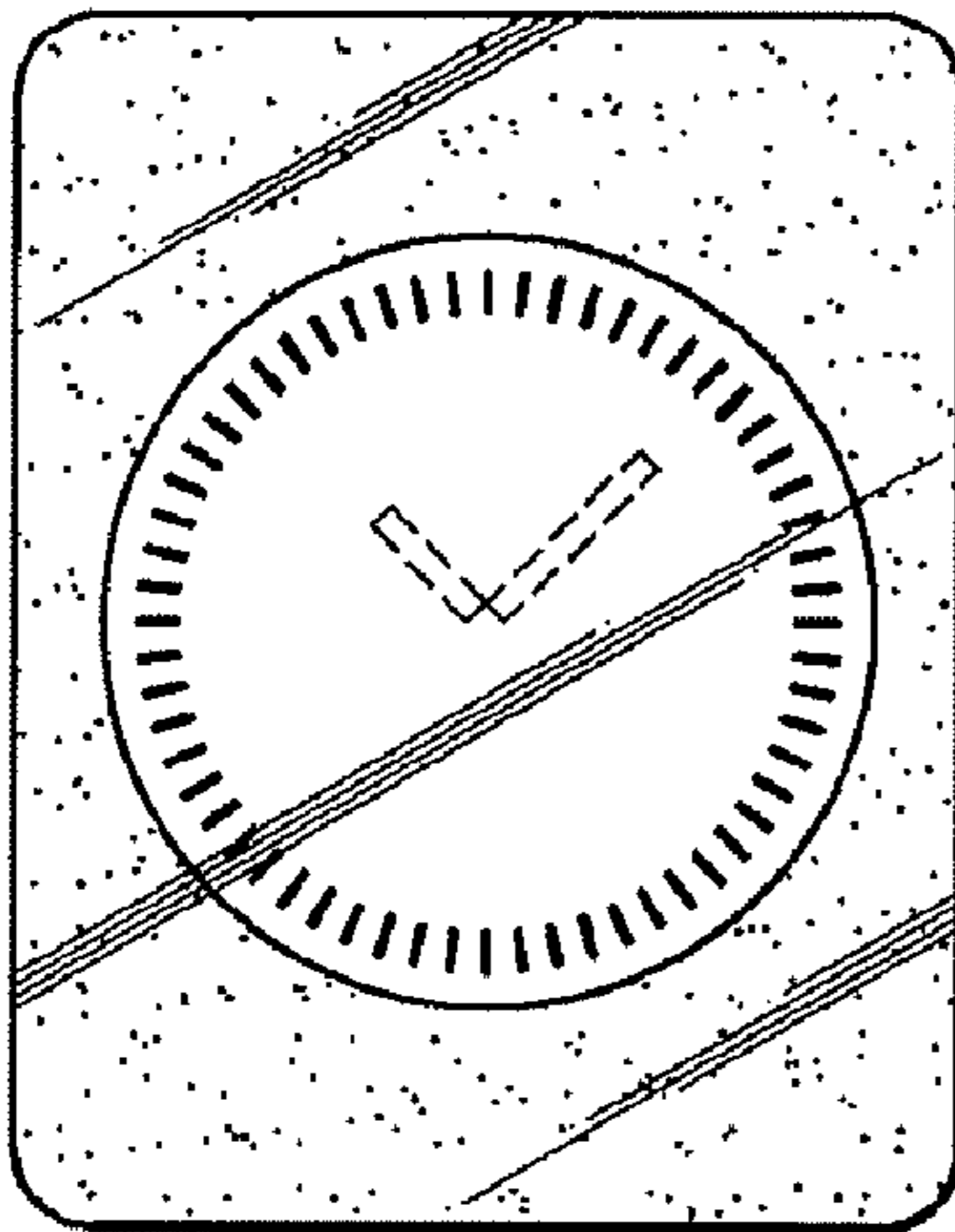


FIG. 2

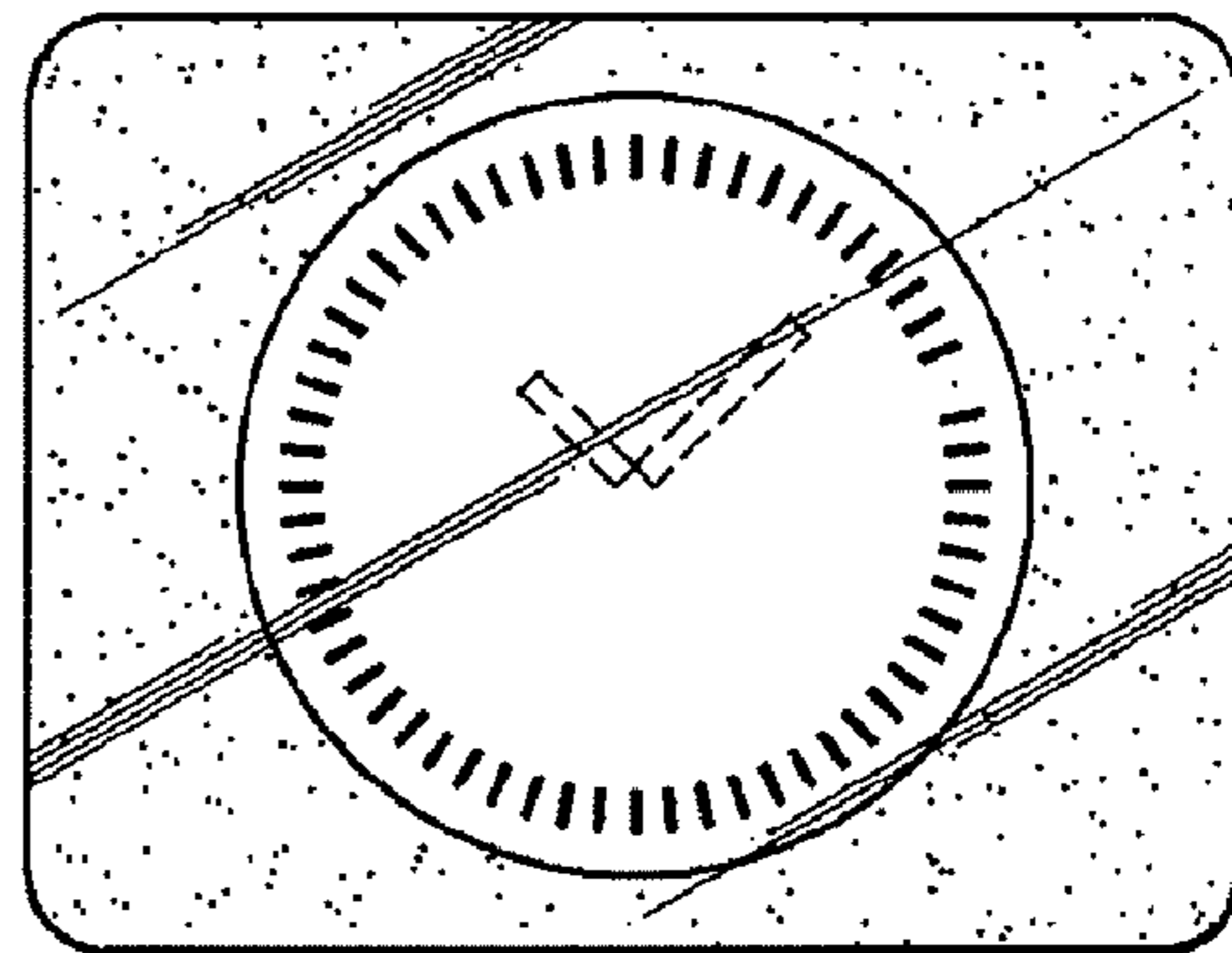


FIG. 3