



US00D586681S

(12) **United States Design Patent**
Jackson

(10) **Patent No.:** **US D586,681 S**

(45) **Date of Patent:** **** *Feb. 17, 2009**

(54) **PORTION OF A FRONT PANEL**

D418,826 S 1/2000 Pavely et al.
D420,661 S 2/2000 Shintani et al.

(75) Inventor: **Bruce Robert Jackson**, Watsons Bay (AU)

(Continued)

(73) Assignee: **Dolby Laboratories Licensing Corporation**, San Francisco, CA (US)

OTHER PUBLICATIONS

(*) Notice: This patent is subject to a terminal disclaimer.

U.S. Appl. No. 29/252,161, filed Jan. 18, 2006, Bruce Robert Jackson.

(**) Term: **14 Years**

Primary Examiner—Antoine D. Davis
(74) *Attorney, Agent, or Firm*—Gallagher & Lathrop; Thomas A. Gallagher

(21) Appl. No.: **29/252,174**

(57) **CLAIM**

(22) Filed: **Jan. 18, 2006**

The ornamental design for a portion of a front panel, substantially as shown and described.

(51) **LOC (9) Cl.** **10-04**

(52) **U.S. Cl.** **D10/103**

(58) **Field of Classification Search** D10/102–103;
84/627, 601, 603, 611, 612, 615, 622, 635,
84/636, DIG. 12; 369/1, 4, 5; 769/47.15,
769/47.16, 47.23, 47.32, 47.35, 53.34, 53.31,
769/53.44, 32.01

See application file for complete search history.

DESCRIPTION

(56) **References Cited**

U.S. PATENT DOCUMENTS

D109,883 S	5/1938	Adus	
D156,591 S	* 12/1949	Wills D10/103
D268,994 S	5/1983	O'Driscoll	
D278,804 S	5/1985	Tanikawa	
D286,029 S	10/1986	Graumann	
D290,587 S	6/1987	Komatsu	
D306,463 S	3/1990	Chiba	
D335,466 S	5/1993	Stewart	
D355,140 S	2/1995	Yamamura	
5,464,017 A	11/1995	Juang	
D366,871 S	2/1996	Richardson et al.	
D376,987 S	12/1996	Geschwender	
D384,341 S	9/1997	Hoffman et al.	
5,751,819 A	5/1998	Dorrrough	
D406,850 S	3/1999	Rochel	

The ornamental design of the present invention is for a front panel and portion of a front panel for a signal processing device, such as an audio or video signal processing device, a signal measuring device, or the like.

FIG. 1 is an upper left front perspective view of a first portion of a front panel showing my new design.

FIG. 2 is a front elevational view of a first portion of a front panel showing my new design.

FIG. 3 is a top plan view of a first portion of a front panel showing my new design.

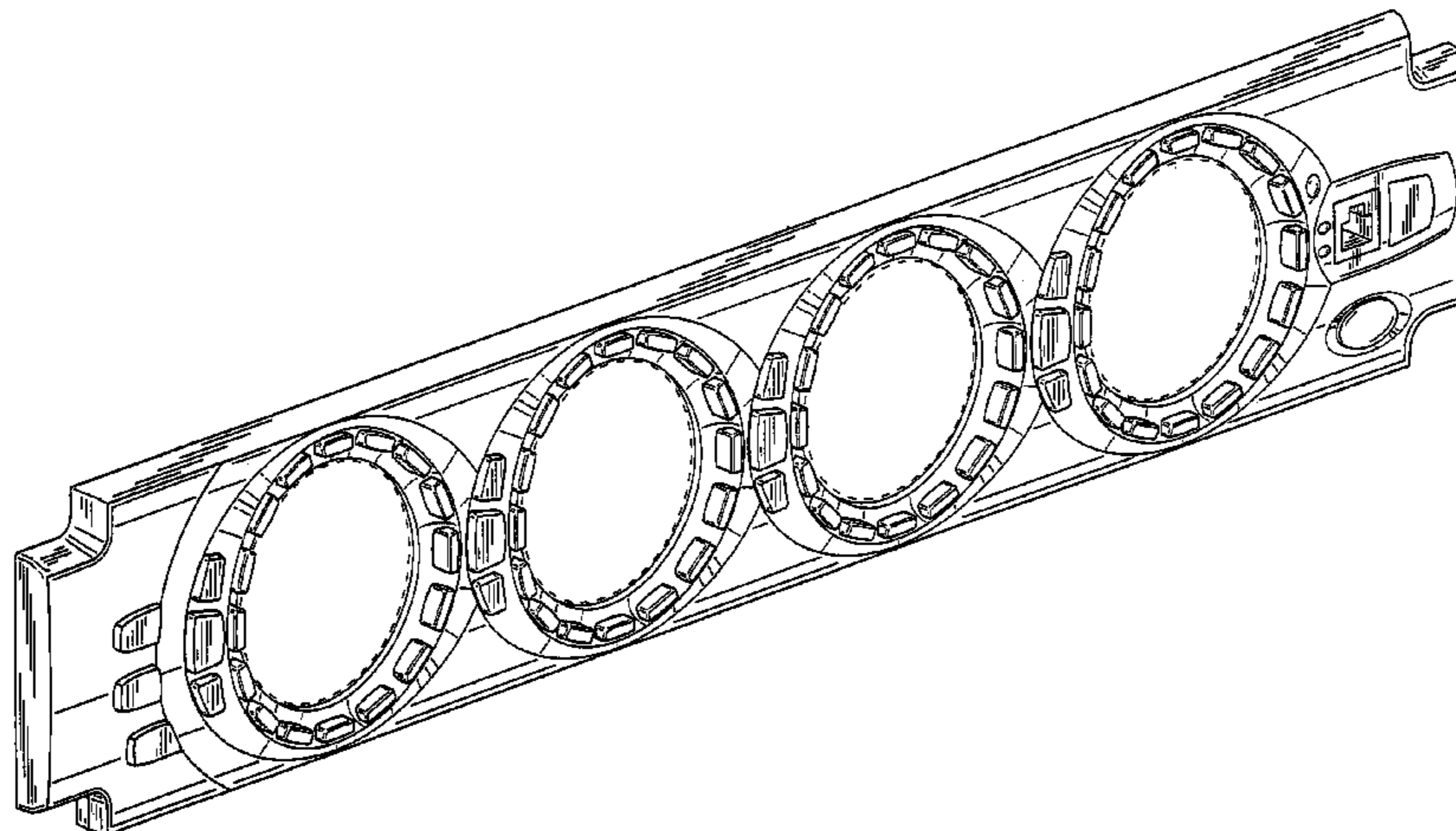
FIG. 4 is a bottom plan view of a first portion of a front panel showing my new design.

FIG. 5 is a right side elevational view of a first portion of a front panel showing my new design; and,

FIG. 6 is a left side elevational view of a first portion of a front panel showing my new design.

The broken line showing in the claimed area of the device of FIGS. 1–6 is for illustrative purposes only and forms no part of the claimed design.

1 Claim, 2 Drawing Sheets



US D586,681 S

Page 2

U.S. PATENT DOCUMENTS

D421,012 S	2/2000	Myers	D474,778 S	5/2003	Barnes
6,049,791 A	4/2000	Lerner	D474,779 S	5/2003	Greminger
D425,499 S	5/2000	Millington	D477,595 S	7/2003	Hori et al.
D430,559 S	9/2000	Hino	D479,210 S	9/2003	Hussaini et al.
D452,249 S	12/2001	Fukuda	D479,715 S	9/2003	Newton
D454,553 S	3/2002	Beard et al.	D480,071 S	9/2003	Lum
D459,248 S	6/2002	Roelke et al.	6,618,336 B2 *	9/2003	Kanou et al. 369/53.34
D461,820 S	8/2002	Wasko et al.	D480,401 S	10/2003	Kahn et al.
D466,107 S	11/2002	Lum	D488,466 S	4/2004	Newton
D467,936 S	12/2002	Shim et al.	D493,471 S	7/2004	McIntosh
D468,651 S	1/2003	Hayashi	D496,940 S	10/2004	Fetterman
D469,107 S	1/2003	Miller et al.	D502,170 S	2/2005	Lum
D471,195 S	3/2003	Lin	D502,184 S	2/2005	Glezer et al.
D473,151 S	4/2003	Shaland et al.	6,879,864 B1	4/2005	Cleary, Jr.
D473,879 S	4/2003	Lee	D512,071 S	11/2005	Esque
D474,195 S	5/2003	Kates et al.	D512,655 S	12/2005	McGugan
			6,977,653 B1	12/2005	Cleary, Jr. et al.

* cited by examiner

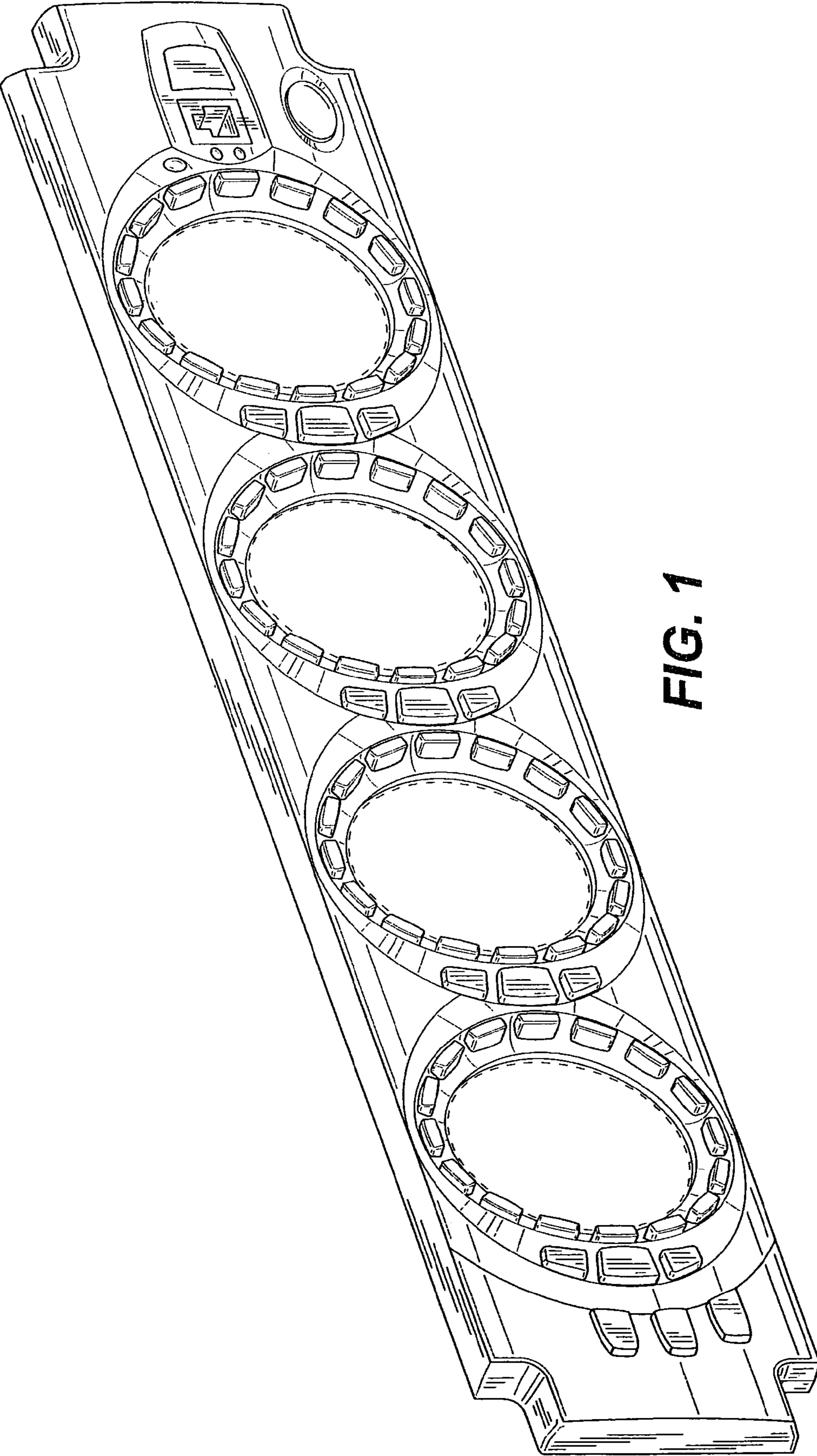


FIG. 1

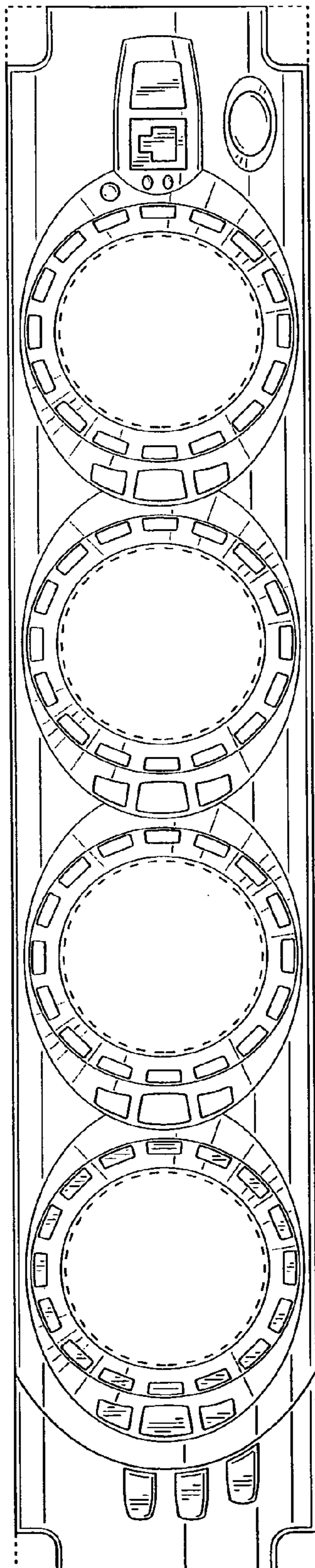


FIG. 2

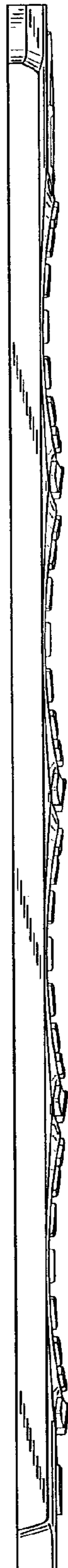


FIG. 3



FIG. 4

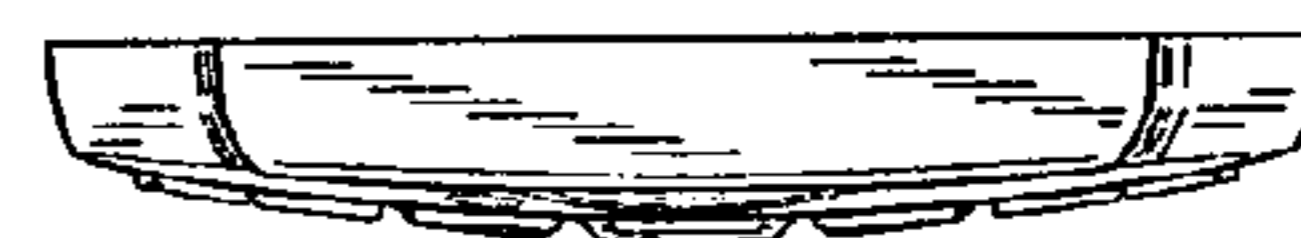


FIG. 6



FIG. 5