



US00D586680S

(12) **United States Design Patent**  
**Bober et al.**

(10) **Patent No.:** **US D586,680 S**  
(45) **Date of Patent:** **\*\* Feb. 17, 2009**

(54) **BOTTLE CLOSURE**

(75) Inventors: **Andrew M Bober**, Racine, WI (US);  
**Kirk Reimann**, Franksville, WI (US);  
**Haim Bar-Noy**, Derry, NH (US); **Kevin J. Markey**, Brookfield, WI (US); **Jon Ludtke**, Burlington, WI (US); **Mark T. MacLean-Blevins**, Westminster, MD (US)

(73) Assignee: **JohnsonDiversey, Inc.**, Sturtevant, WI (US)

(\*\*) Term: **14 Years**

(21) Appl. No.: **29/296,368**

(22) Filed: **Oct. 18, 2007**

**Related U.S. Application Data**

(63) Continuation of application No. 29/262,401, filed on Jun. 30, 2006, now Pat. No. Des. 558,070.

(51) **LOC (9) Cl.** ..... **10-04**

(52) **U.S. Cl.** ..... **D10/101; D9/449; D32/35**

(58) **Field of Classification Search** ..... D32/35;  
D9/435-438, 449, 453-452, 447; D10/46.2-46.3,  
D10/100; D7/415, 691; 222/567, 517, 525,  
222/481.5, 484, 553; 220/484, 525, 570,  
220/568, 567, 705-710; 399/106; 215/330  
See application file for complete search history.

(56) **References Cited**

**U.S. PATENT DOCUMENTS**

3,023,969	A	3/1962	Hudson et al.	.....	239/146
3,207,387	A	9/1965	Brickman	.....	222/400.8
D366,840	S *	2/1996	Schagerstrom et al.	....	D10/46.2
D371,413	S *	7/1996	Crausby et al.	.....	D21/795
D451,827	S *	12/2001	Winters	.....	D10/46.2
D457,697	S *	5/2002	Savage	.....	D32/35
6,718,852	B1 *	4/2004	Bickel et al.	.....	81/488
D508,202	S *	8/2005	Dobson et al.	.....	D9/447

6,981,533	B2	1/2006	Zorzo	.....	141/351
D520,873	S *	5/2006	Lovell	.....	D9/449
D529,380	S *	10/2006	Yelland	.....	D9/447
D530,611	S *	10/2006	Nusbaum et al.	.....	D9/449
D533,061	S *	12/2006	Li et al.	.....	D9/443
2006/0131331	A1	6/2006	Powell	.....	222/132

**FOREIGN PATENT DOCUMENTS**

DE	20 2004 019 888	U1	3/2005
EP	1 180 343	A2	2/2002
JP	2000117163		4/2000
JP	08238446		9/2006
WO	WO 2006/066634	A1	6/2006

\* cited by examiner

*Primary Examiner*—Pamela J Burgess

(74) *Attorney, Agent, or Firm*—Gregory S. Bollis

(57) **CLAIM**

We claim the ornamental design for a bottle closure, as shown and described.

**DESCRIPTION**

FIG. 1 is a top perspective view of a bottle closure embodying aspects of the invention.

FIG. 2 is a top view of the bottle closure shown in FIG. 1.

FIG. 3 is bottom view of the bottle closure shown in FIG. 1.

FIG. 4 is a side view of the bottle closure shown in FIG. 1.

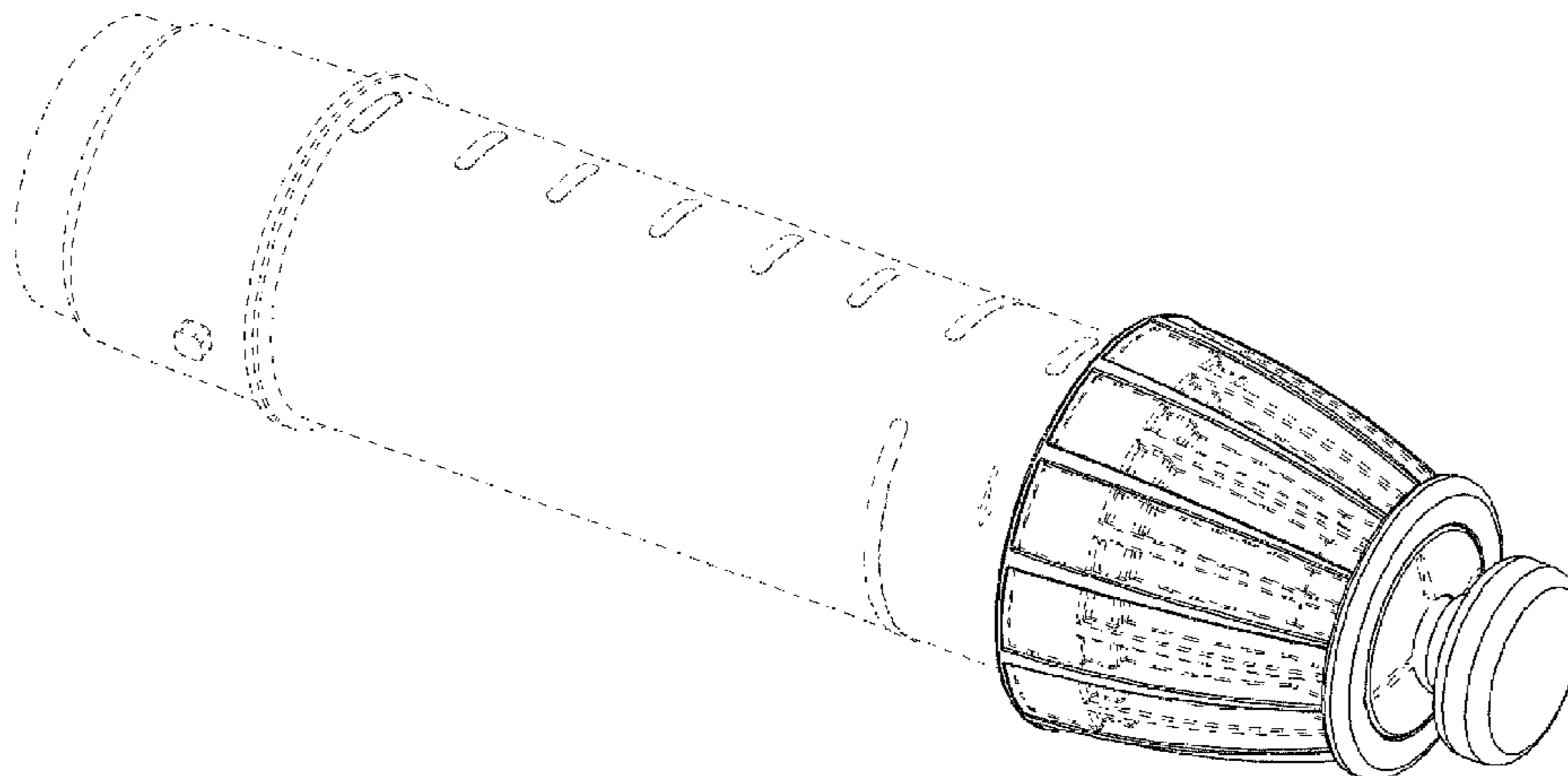
FIG. 5 is another side view of the bottle closure shown in FIG. 1.

FIG. 6 is another side view of the bottle closure shown in FIG. 1; and,

FIG. 7 is another side view of the bottle closure shown in FIG. 1.

The present application is directed to the shape and contour of a closure for a bottle. Features of the drawings shown in broken lines are not considered part of the design currently sought to be patented.

**1 Claim, 6 Drawing Sheets**



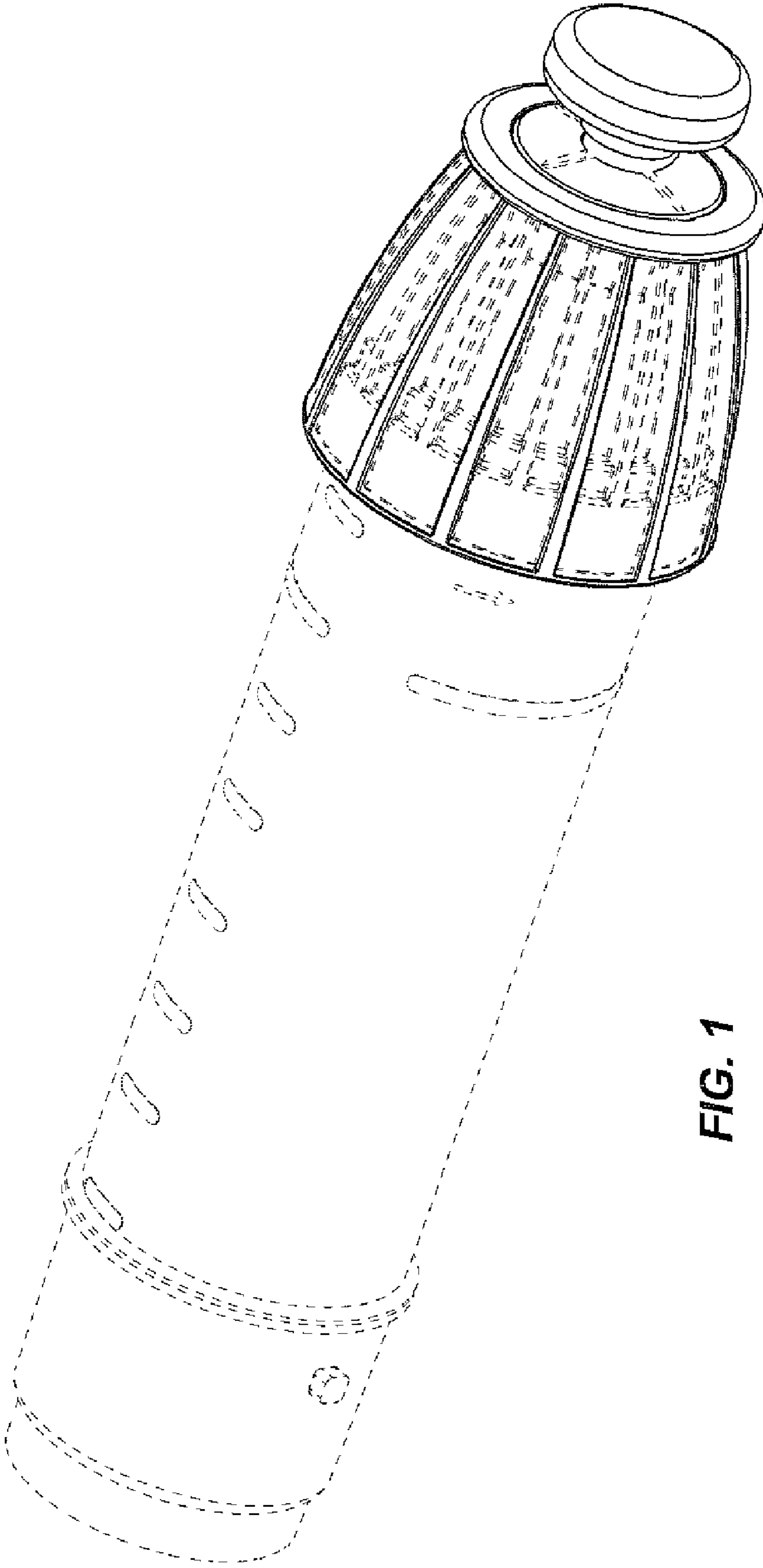
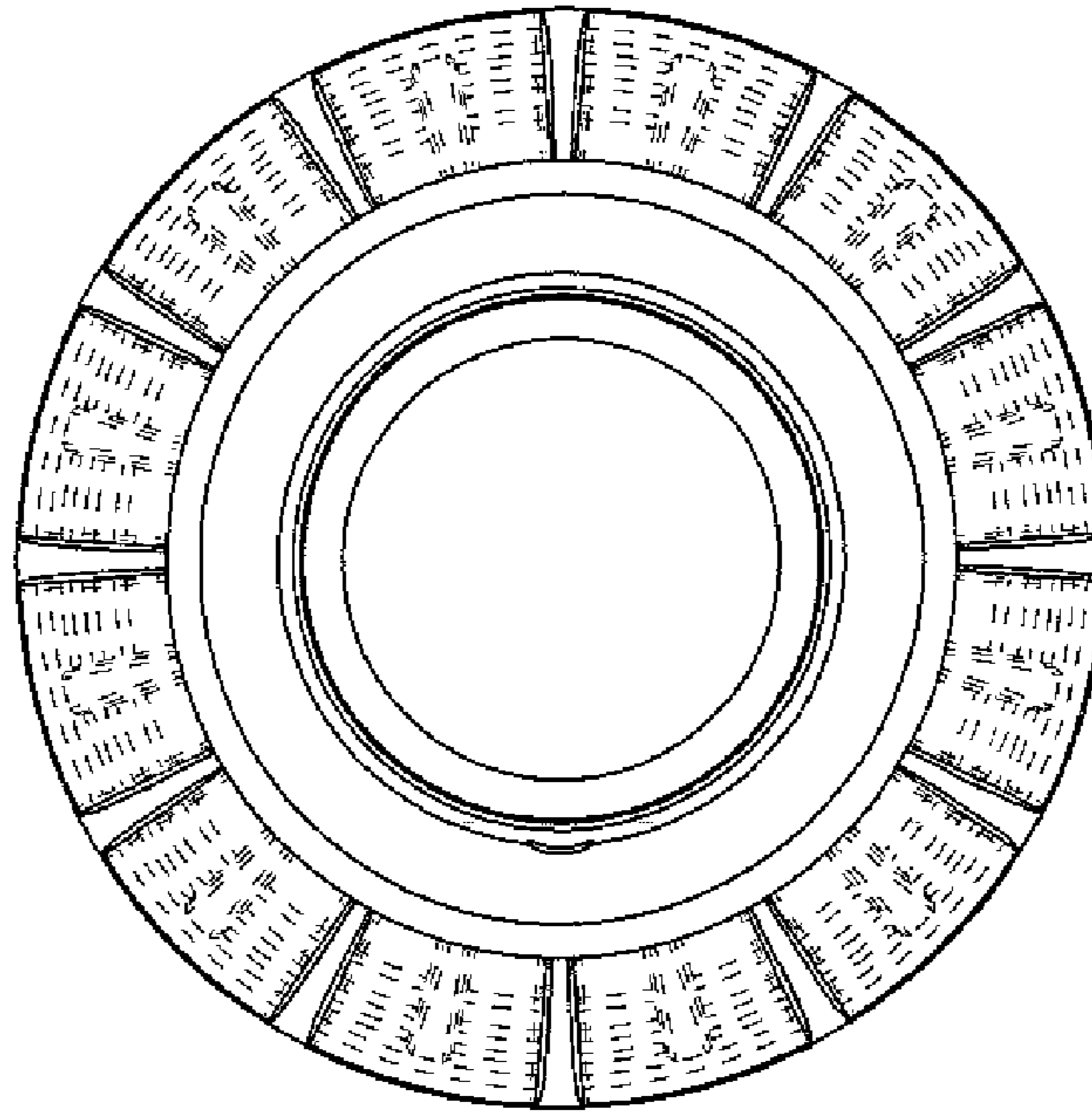
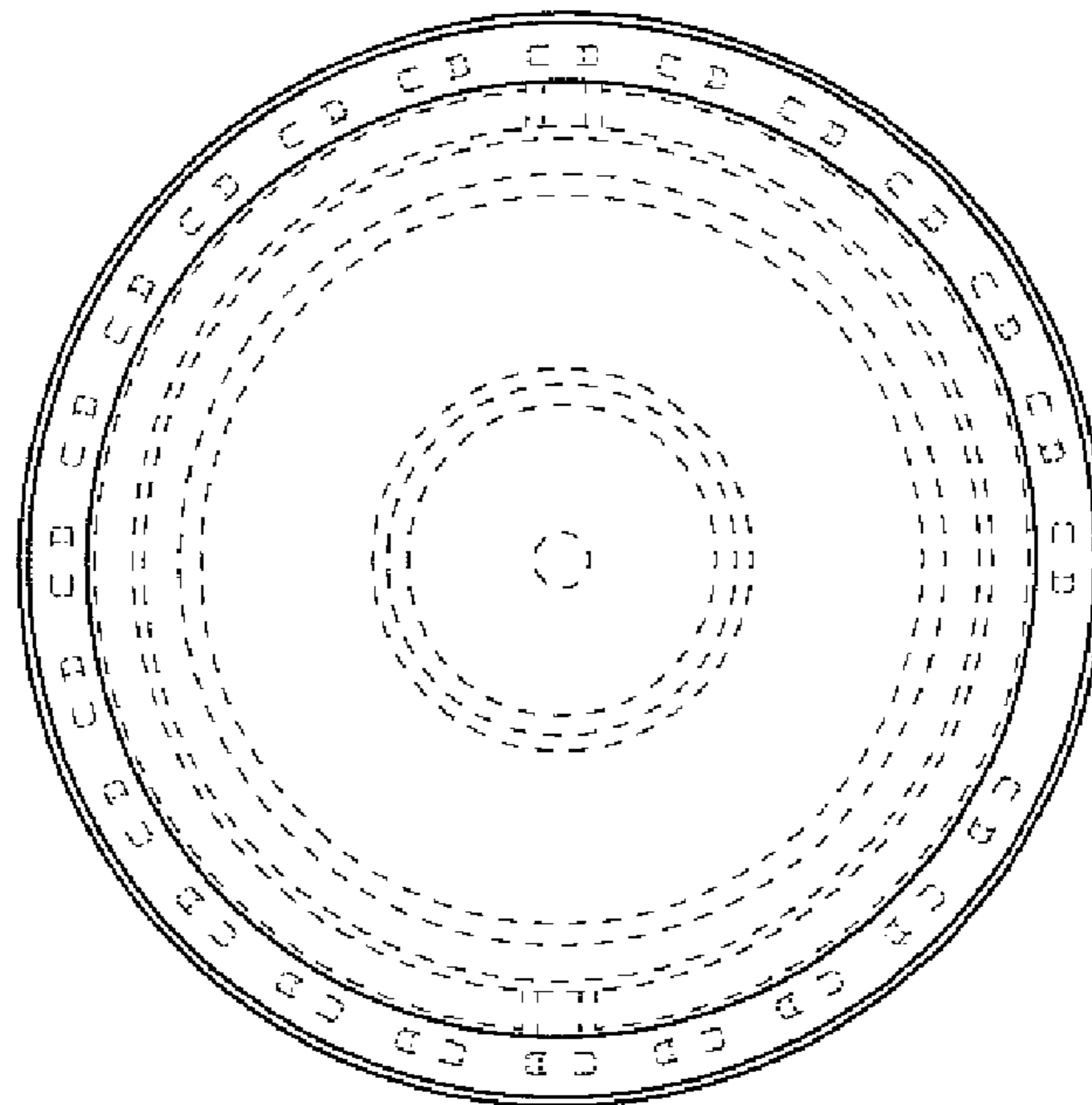


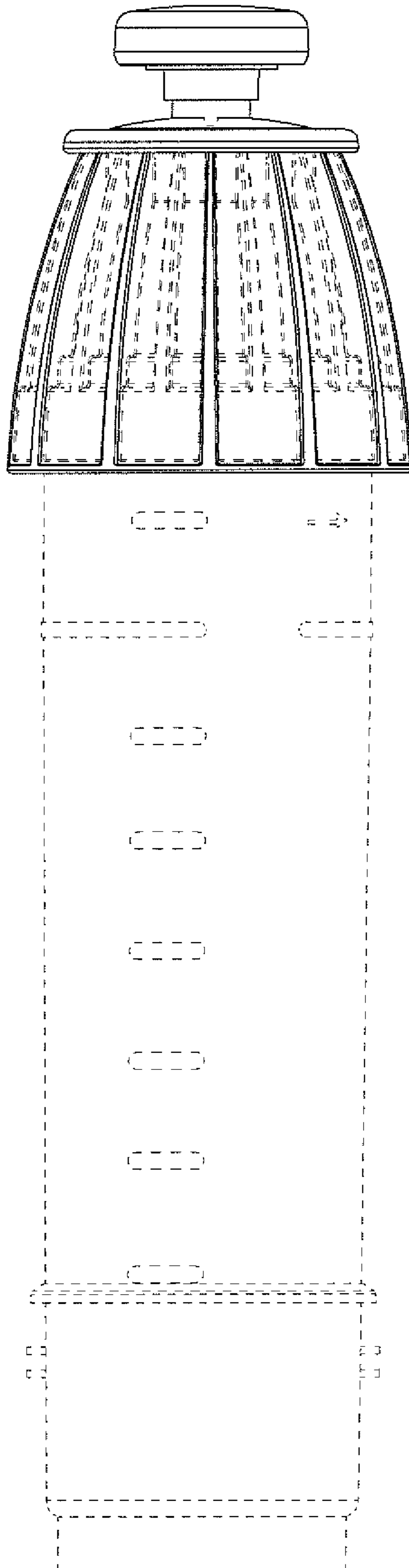
FIG. 1



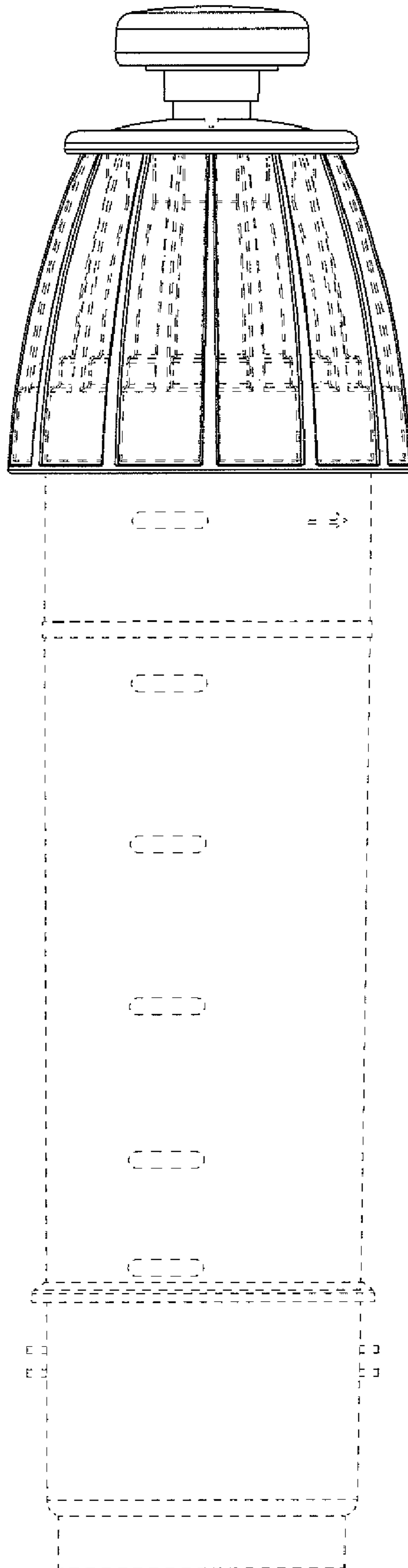
**FIG. 2**



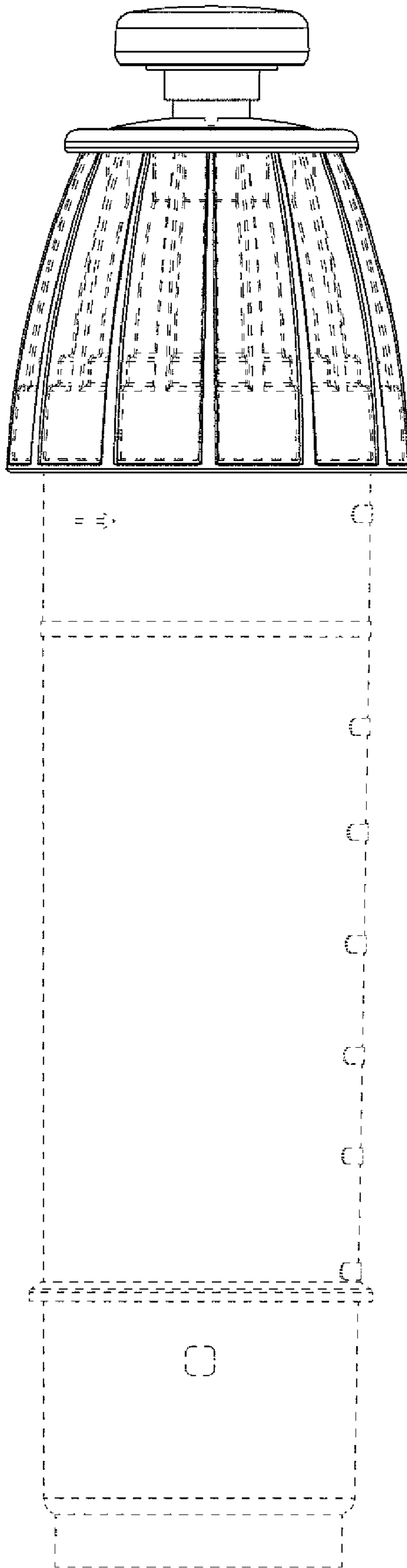
**FIG. 3**



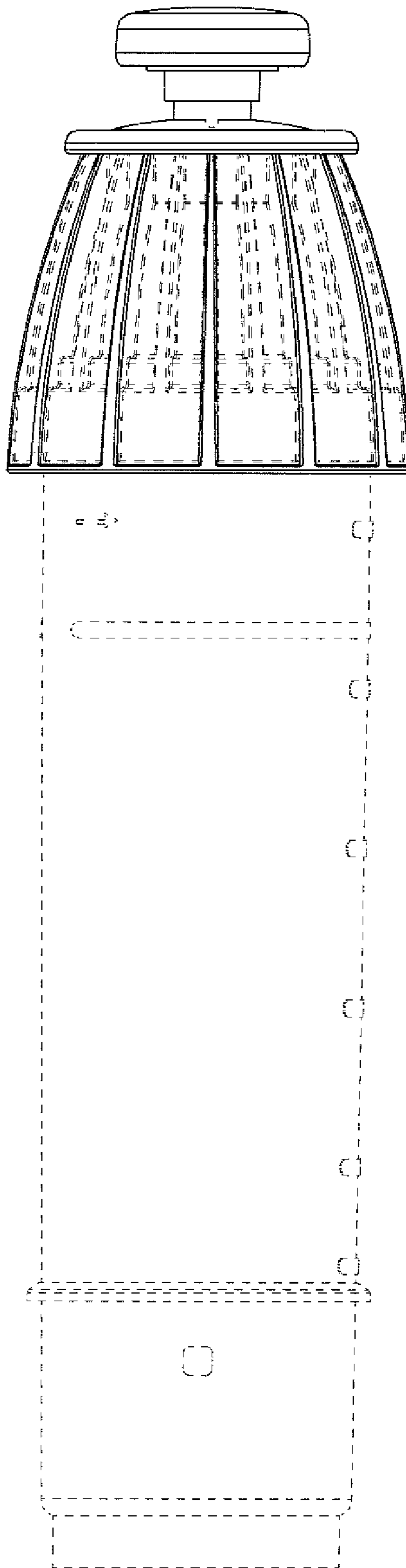
**FIG. 4**



**FIG. 5**



**FIG. 6**



**FIG. 7**