



US00D586679S

(12) **United States Design Patent**
Kurata et al.

(10) **Patent No.:** **US D586,679 S**
(45) **Date of Patent:** **** Feb. 17, 2009**

(54) **ELECTRONIC SCALE**

D553,035 S * 10/2007 Huang D10/92

(75) Inventors: **Soji Kurata**, Kawagoe (JP); **Tatsutoshi Kobayakawa**, Tokyo (JP)

* cited by examiner

(73) Assignee: **Tanita Corporation**, Tokyo (JP)

Primary Examiner—Antoine D Davis

(**) Term: **14 Years**

(74) *Attorney, Agent, or Firm*—Frishauf, Holtz, Goodman & Chick, P.C.

(21) Appl. No.: **29/307,625**

(57) **CLAIM**

(22) Filed: **May 1, 2008**

The ornamental design for an electronic scale, as shown.

(30) **Foreign Application Priority Data**

DESCRIPTION

Nov. 7, 2007 (JP) 2007-030776

(51) **LOC (9) Cl.** **10-04**

(52) **U.S. Cl.** **D10/91; D10/92**

(58) **Field of Classification Search** D10/91-92;
177/4, 177, 199, 210 R, 238-245, DIG. 3,
177/262, 210 C, 30, 126, 127, 25.12-25.16;
600/506, 547

See application file for complete search history.

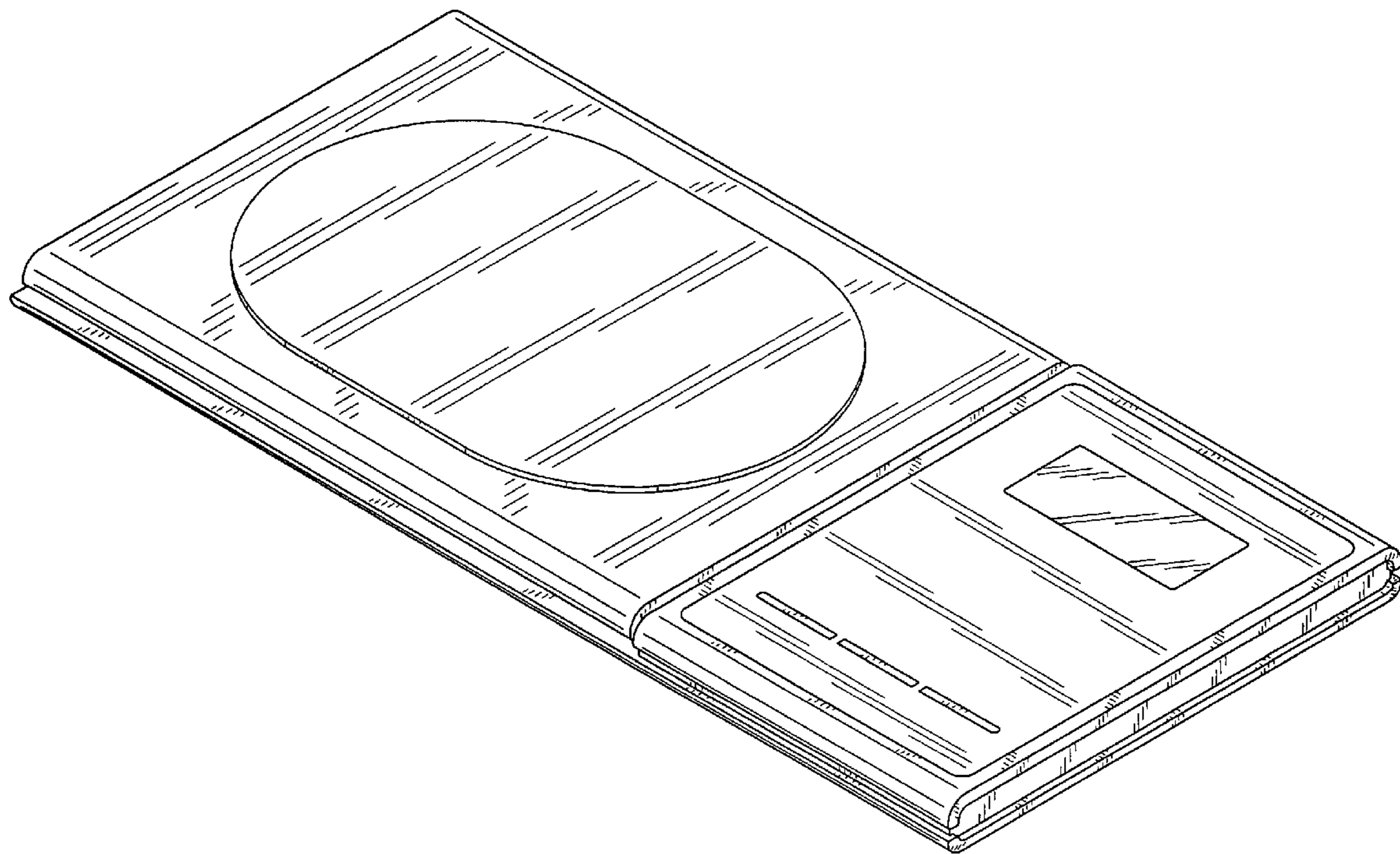
FIG. 1 is a front, right side, bottom perspective view of an electronic scale showing our new design;
FIG. 2 is a front elevational view thereof;
FIG. 3 is a rear elevational view thereof;
FIG. 4 is a left side view thereof;
FIG. 5 is a right side view thereof;
FIG. 6 is a top plan view thereof; and,
FIG. 7 is a bottom plan view thereof.

(56) **References Cited**

U.S. PATENT DOCUMENTS

D548,122 S * 8/2007 Vantine D10/91

1 Claim, 6 Drawing Sheets



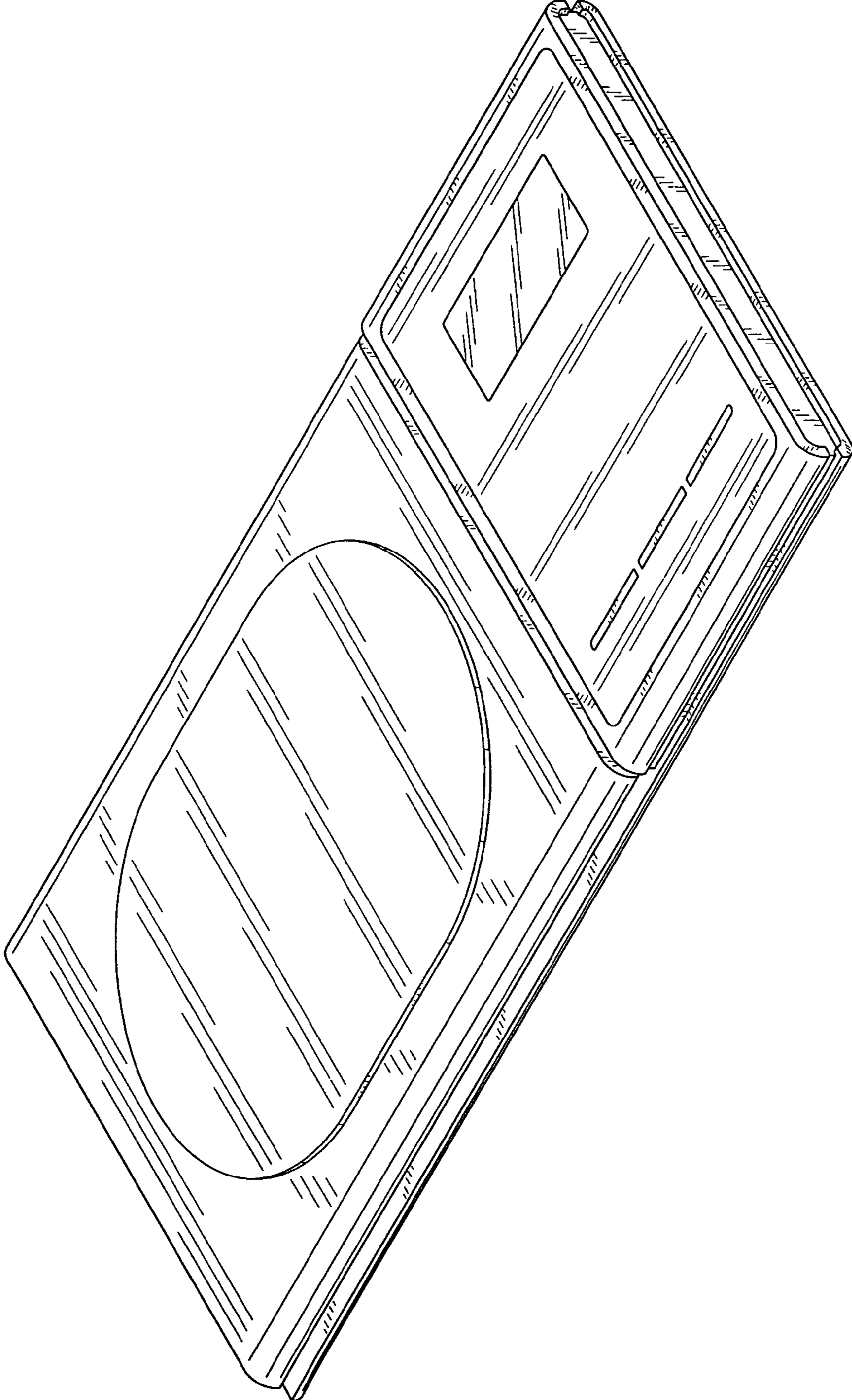


FIG. 1

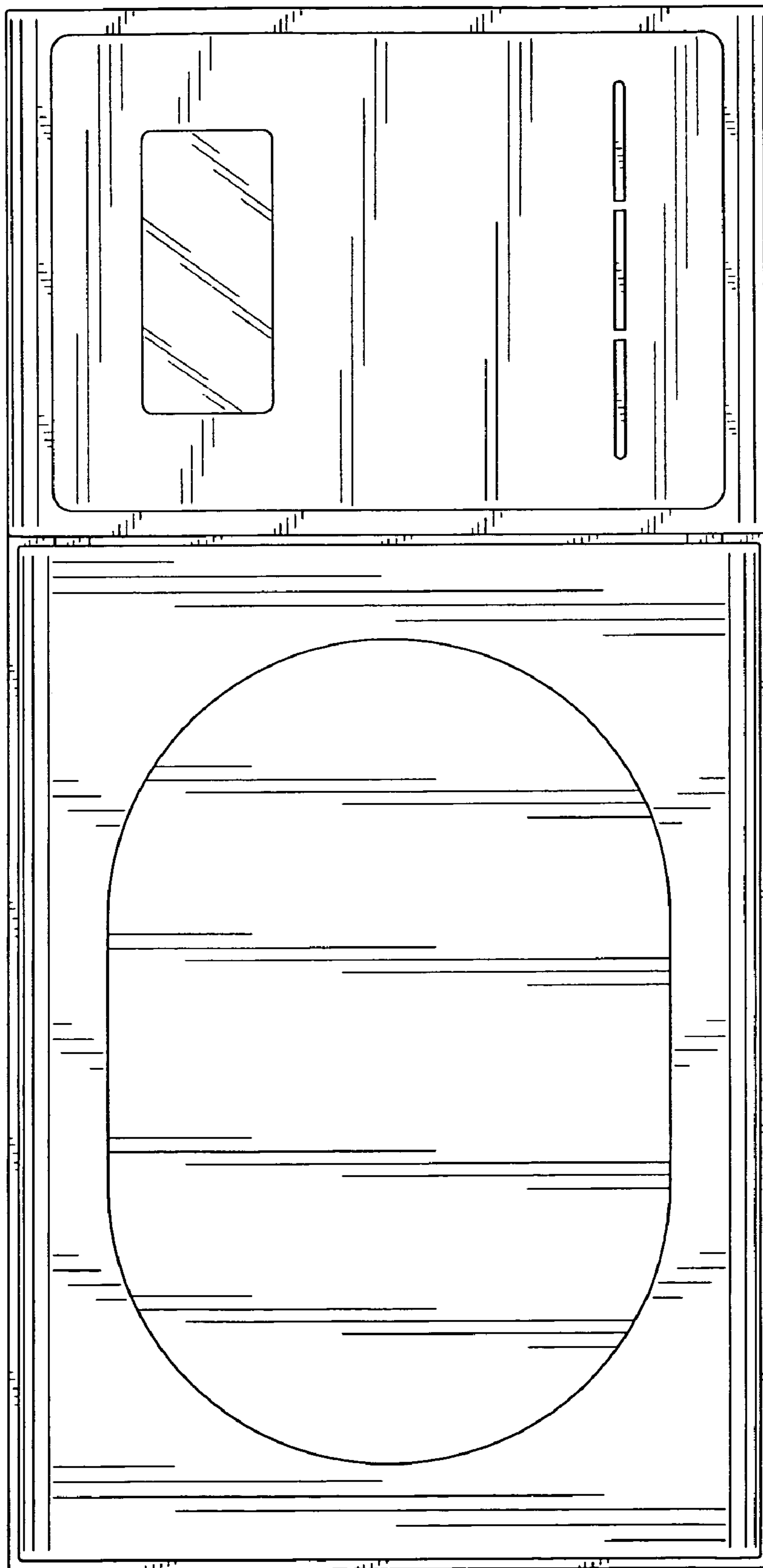


FIG. 2

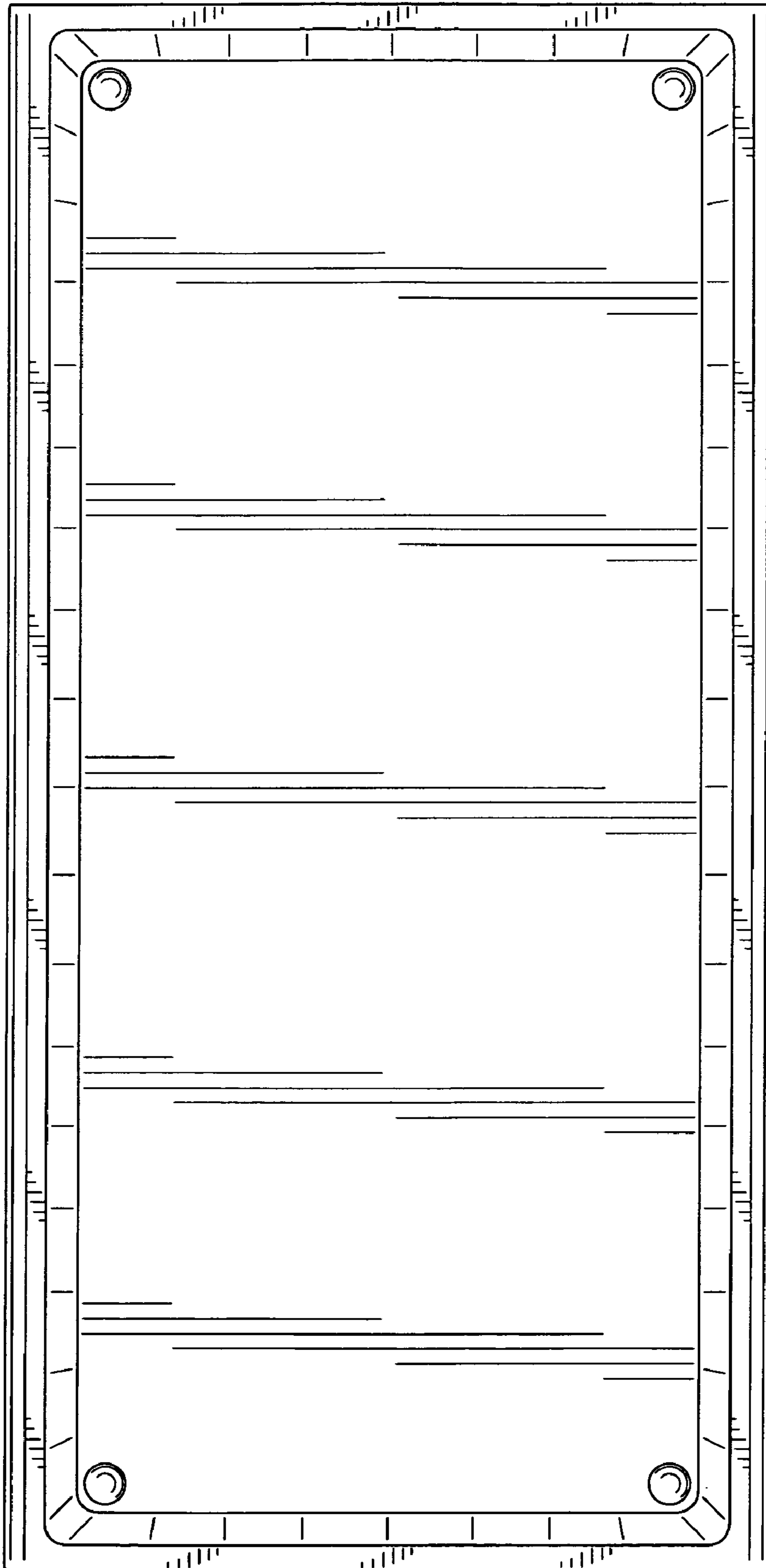


FIG. 3

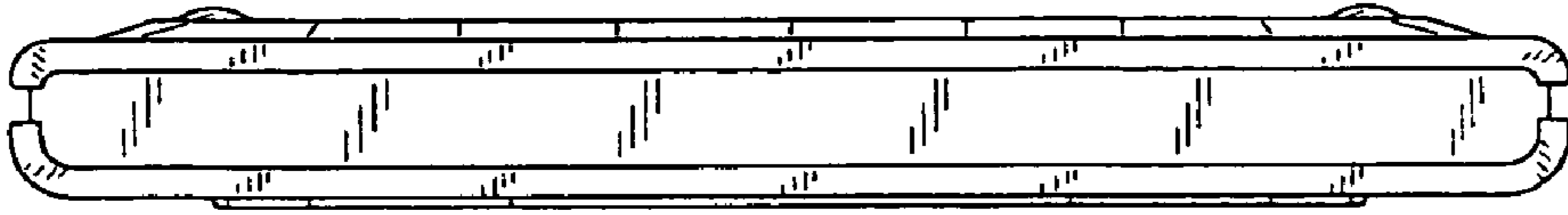


FIG. 5

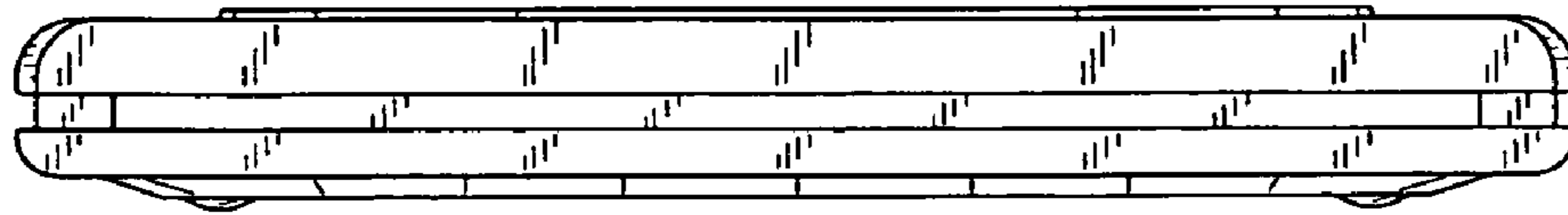


FIG. 4



FIG. 6

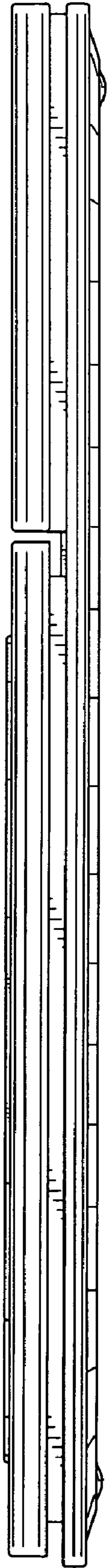


FIG. 7