



US00D586677S

(12) **United States Design Patent**
Nothacker et al.

(10) **Patent No.:** **US D586,677 S**

(45) **Date of Patent:** **** Feb. 17, 2009**

(54) **BREATHALYZER**

2007/0144812 A1* 6/2007 Stewart et al. 180/272
* cited by examiner

(75) Inventors: **Keith H. Nothacker**, San Francisco, CA (US); **Michael J. Strasser**, San Francisco, CA (US); **Ralf Groene**, Kirkland, WA (US)

Primary Examiner—Antoine D Davis
(74) *Attorney, Agent, or Firm*—William C. Milks, III

(73) Assignee: **KHN Solutions LLC**, San Francisco, CA (US)

(57) **CLAIM**

The ornamental design for a breathalyzer, as shown and described.

(**) Term: **14 Years**

DESCRIPTION

(21) Appl. No.: **29/307,005**

FIG. 1 is an upper right front perspective view in a closed position;

(22) Filed: **Mar. 26, 2008**

FIG. 2 is a front elevational view in the closed position;

(51) **LOC (9) Cl.** **10-04**

FIG. 3 is a left side elevational view in the closed position;

(52) **U.S. Cl.** **D10/78; D10/81**

FIG. 4 is a rear elevational view in the closed position;

(58) **Field of Classification Search** D10/78,
D10/81; 128/719, 745; 180/272; 340/576;
422/84, 50, 58, 61–63, 67, 68.1, 80, 82.03;
436/132, 900; 600/532, 543

FIG. 5 is a right side elevational view in the closed position;

FIG. 6 is a top plan view in the closed position;

FIG. 7 is a bottom plan view in the closed position;

FIG. 8 is an upper right front perspective view in an open position;

FIG. 9 is a front elevational view in the open position;

FIG. 10 is a left side elevational view in the open position;

FIG. 11 is a rear elevational view in the open position;

FIG. 12 is a right side elevational view in the open position;

FIG. 13 is a top plan view in the open position; and,

FIG. 14 is a bottom plan view in the open position.

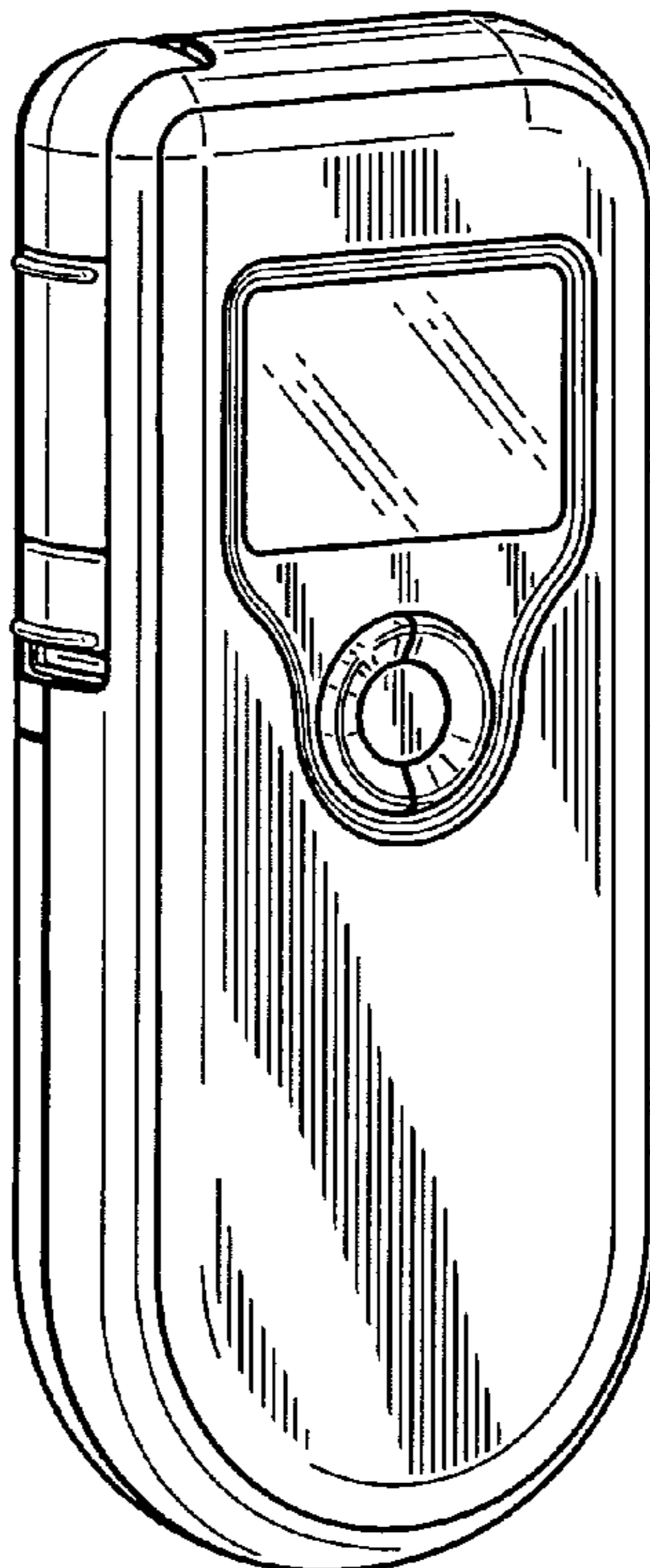
See application file for complete search history.

(56) **References Cited**

U.S. PATENT DOCUMENTS

D521,885 S *	5/2006	Eddy et al.	D10/81
D530,424 S *	10/2006	Manser et al.	D10/81
D539,683 S *	4/2007	Shaw et al.	D10/81
D539,684 S *	4/2007	Kitamura et al.	D10/81
2007/0093725 A1 *	4/2007	Shaw	600/543

1 Claim, 4 Drawing Sheets



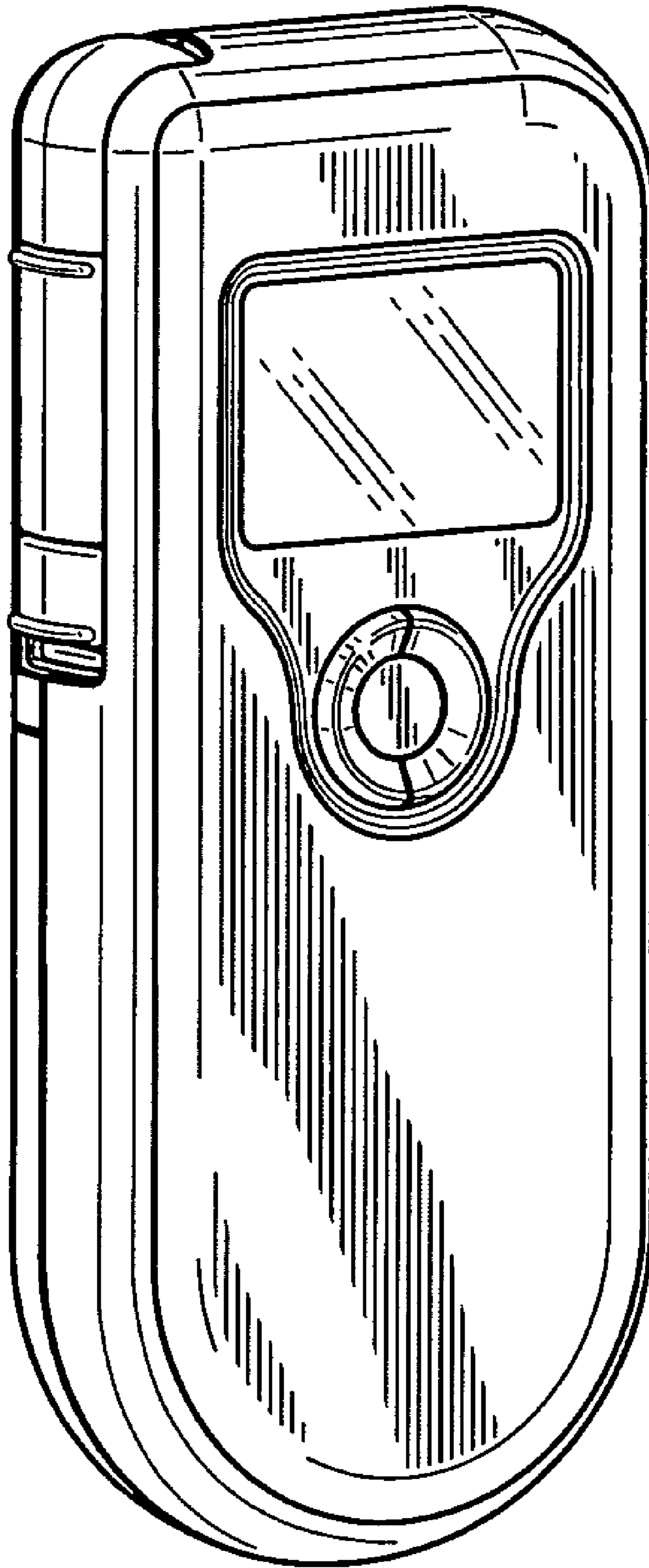


FIG. 1

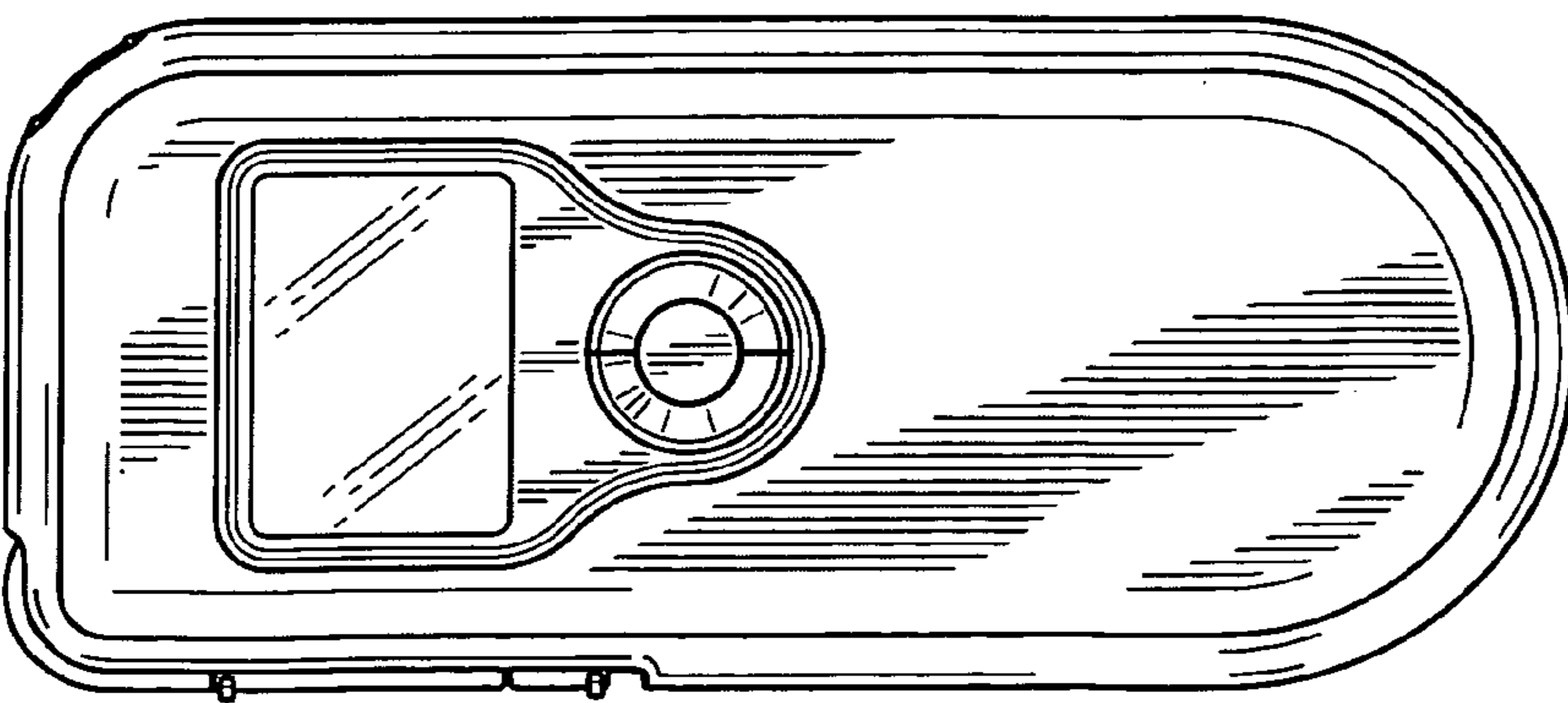


FIG. 2

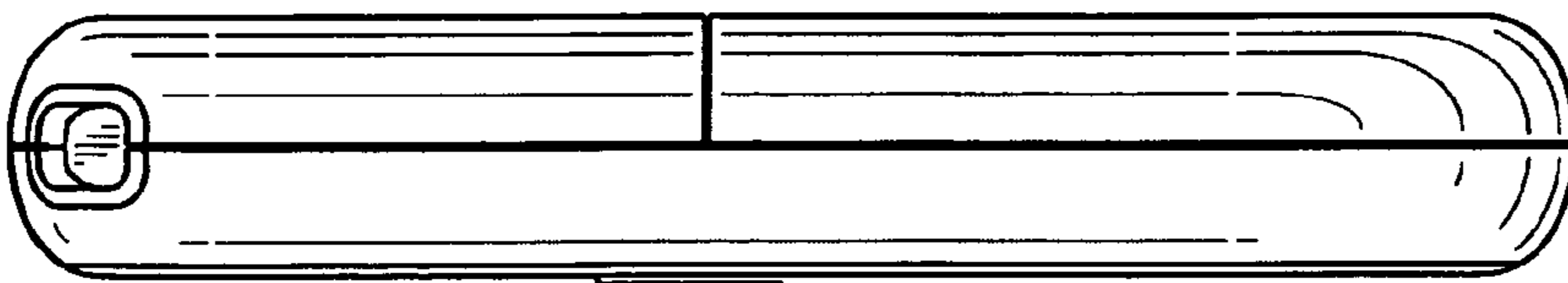


FIG. 3

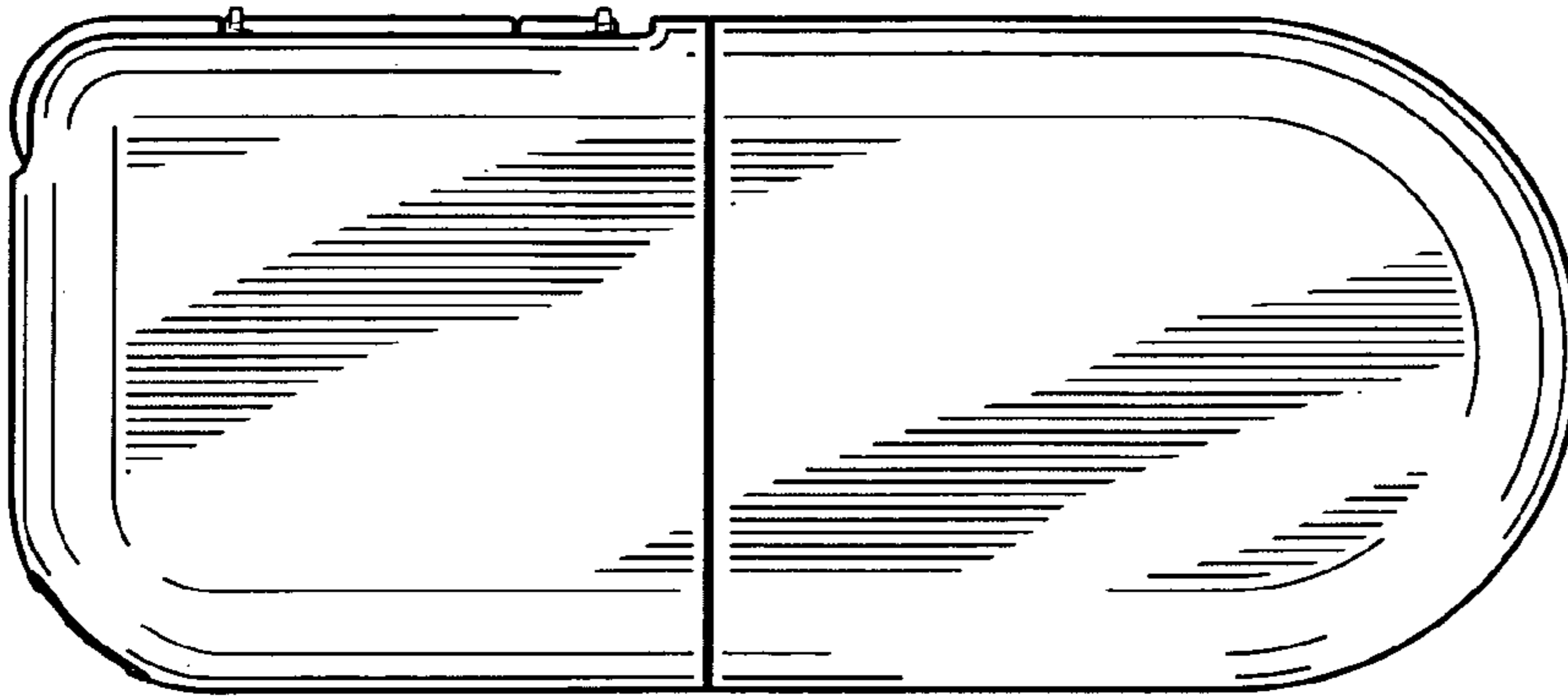


FIG. 4

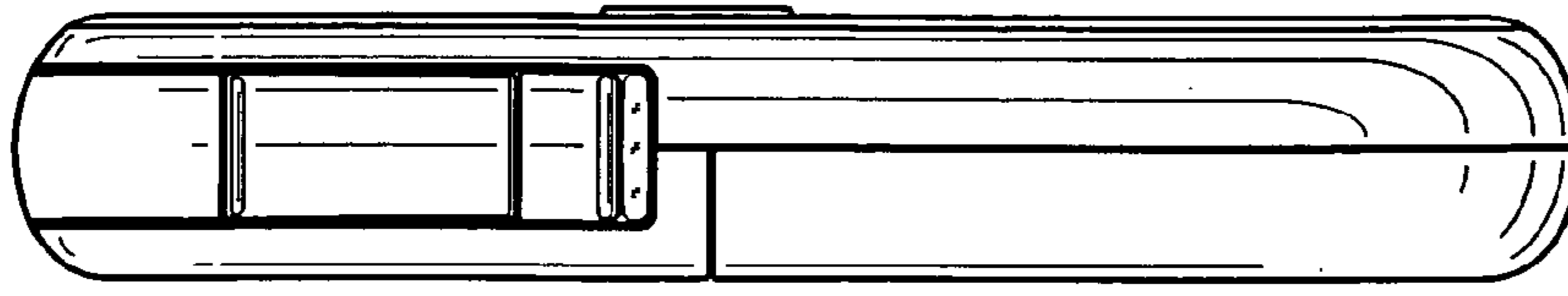


FIG. 5

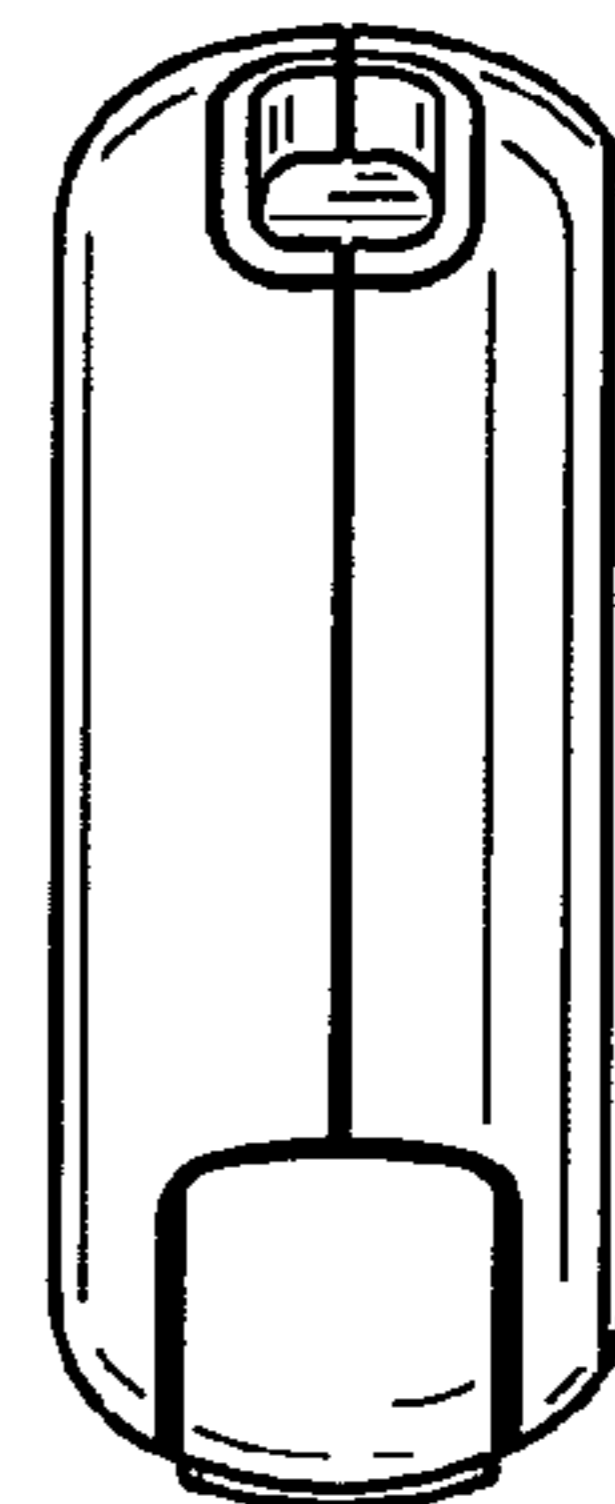


FIG. 6

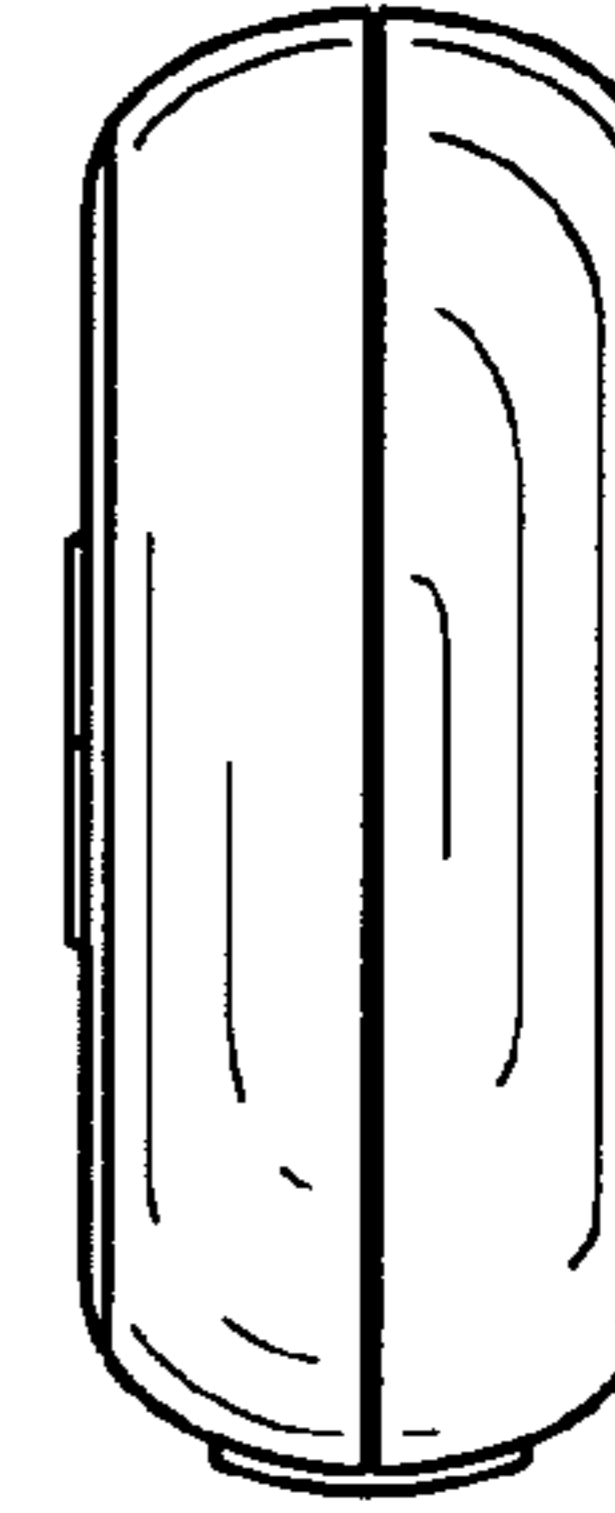


FIG. 7

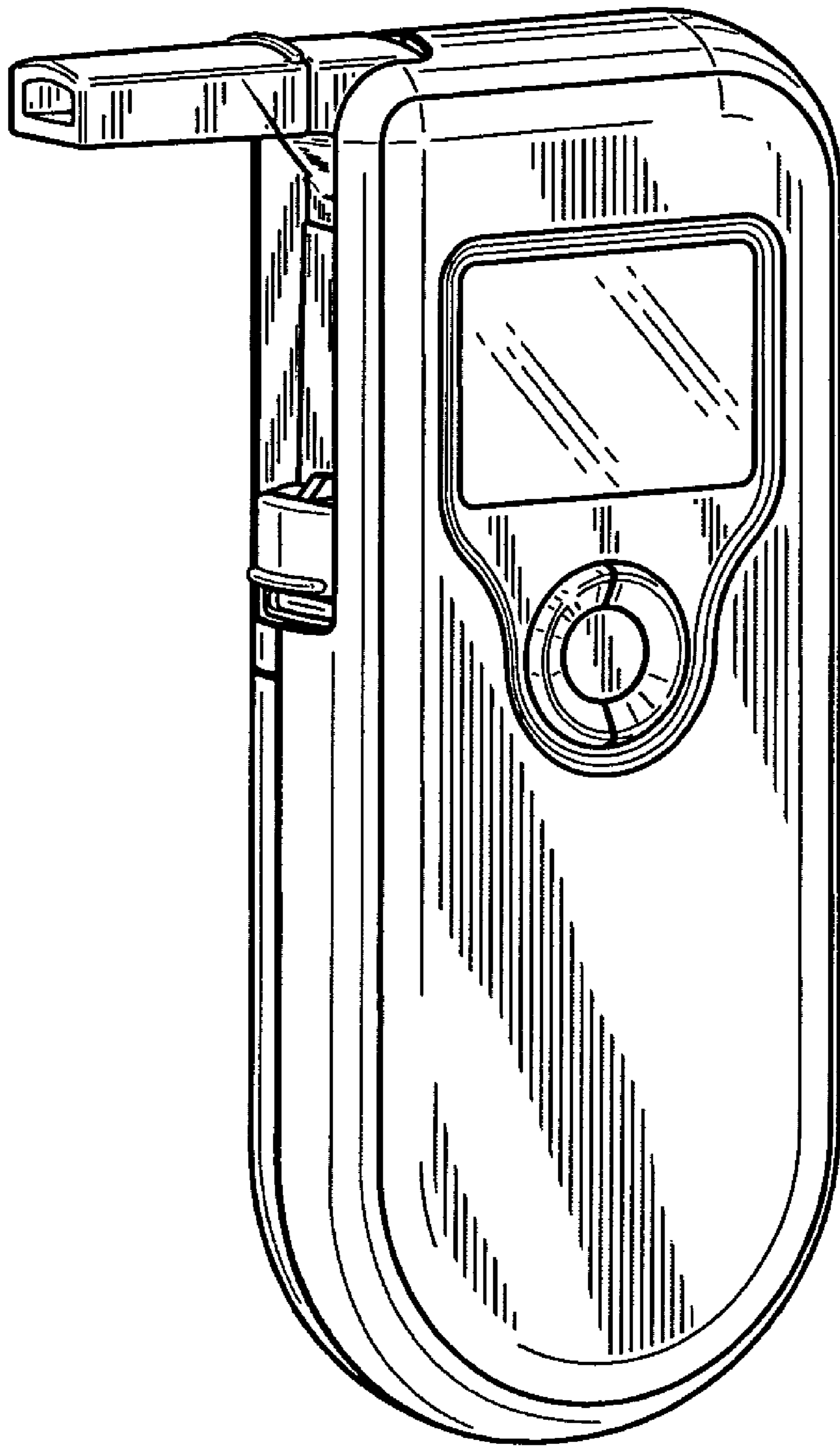


FIG. 8

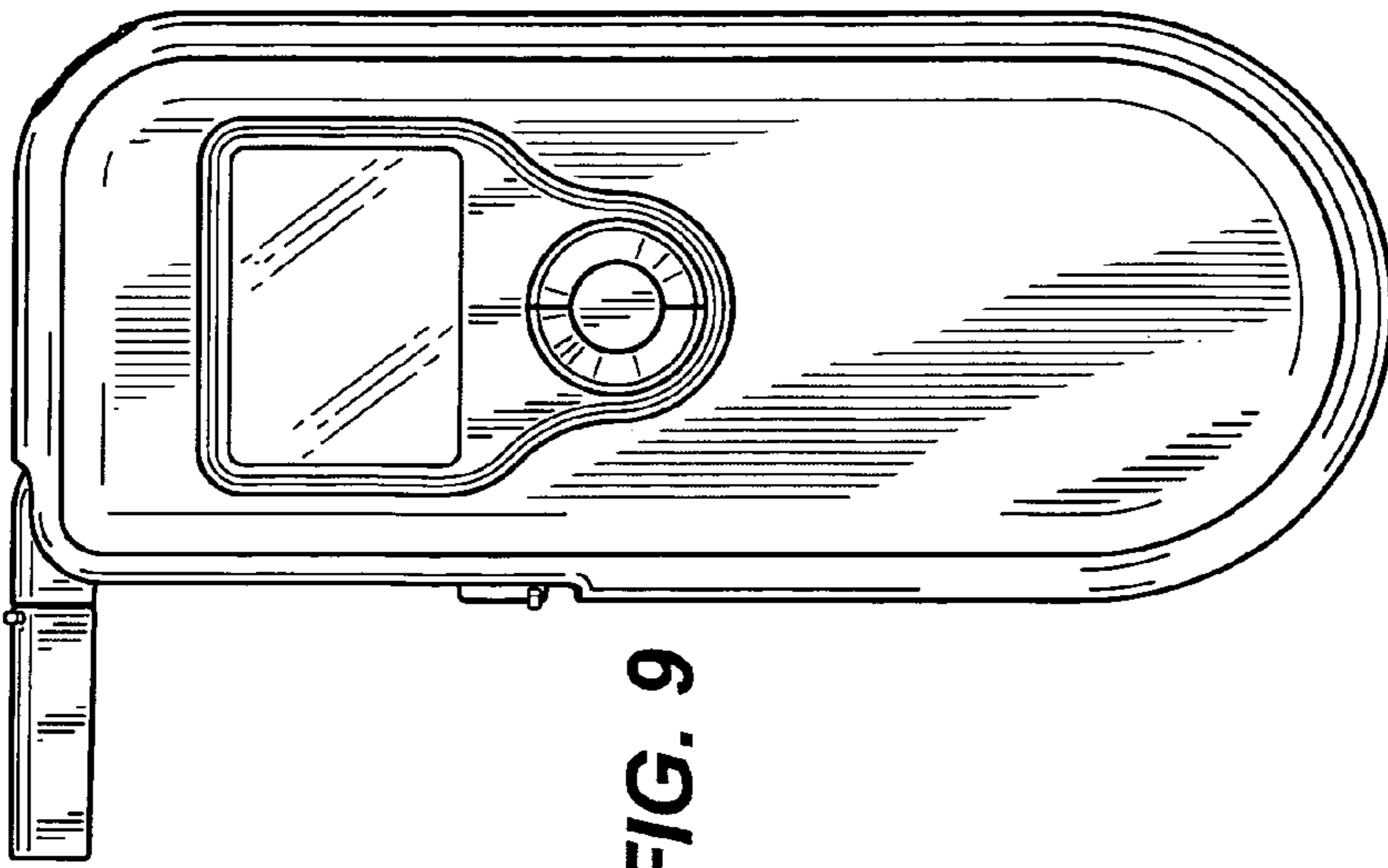


FIG. 9

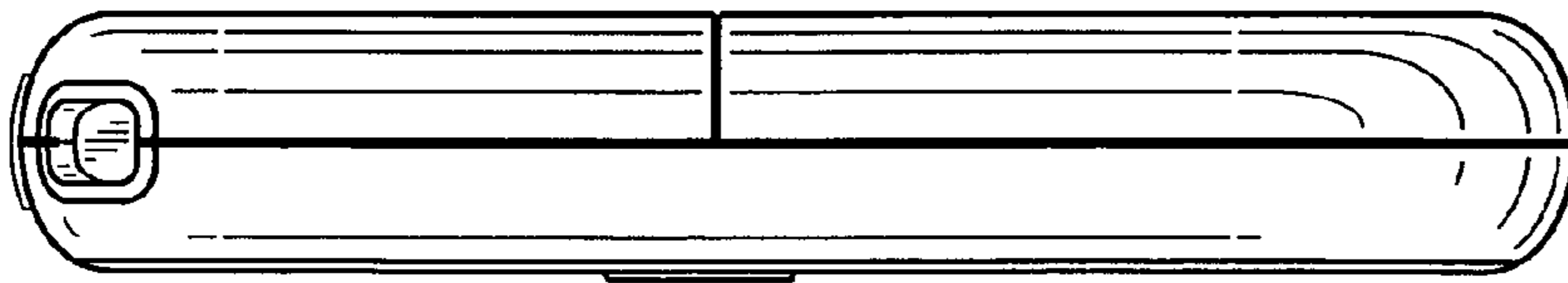


FIG. 10

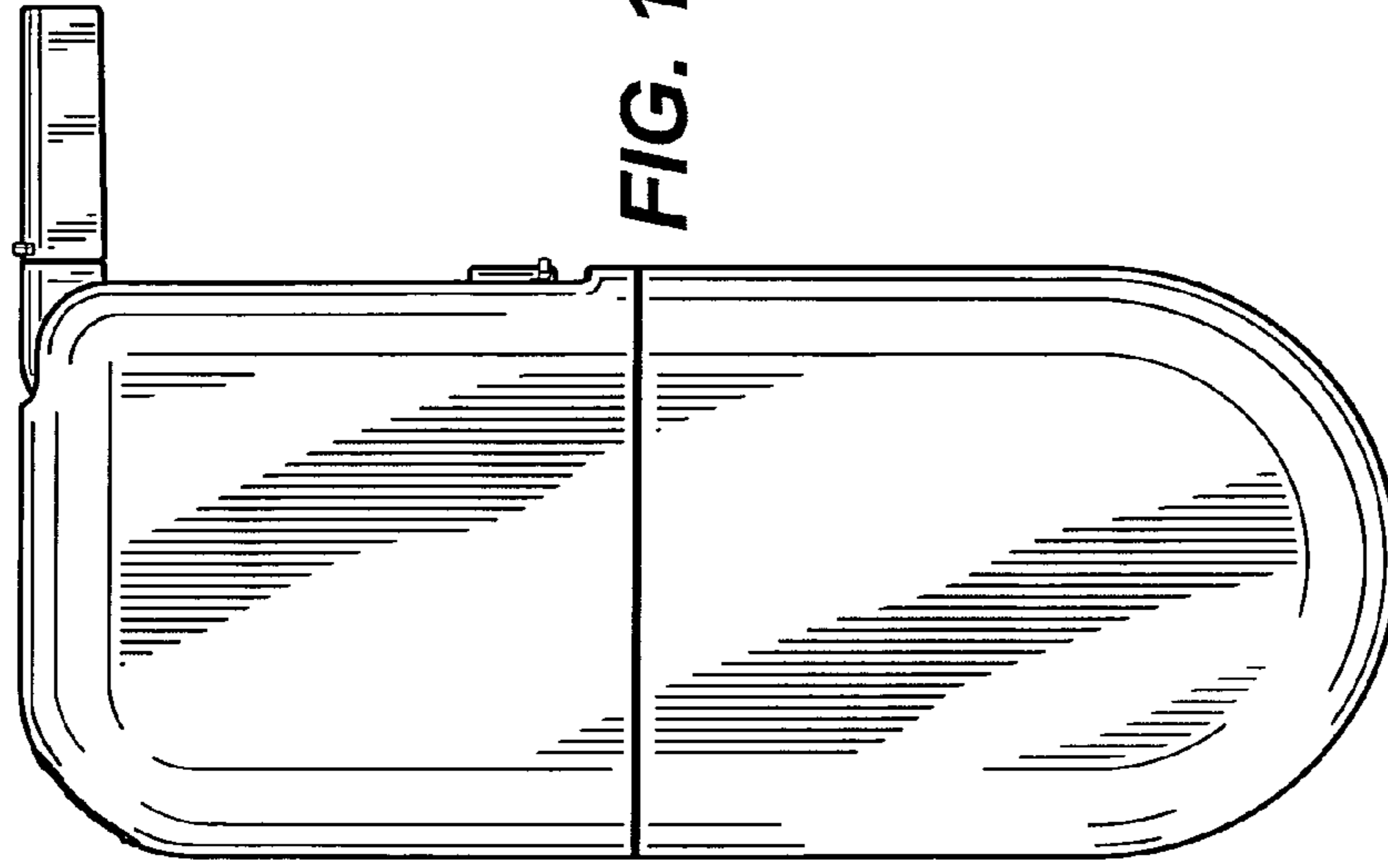


FIG. 11

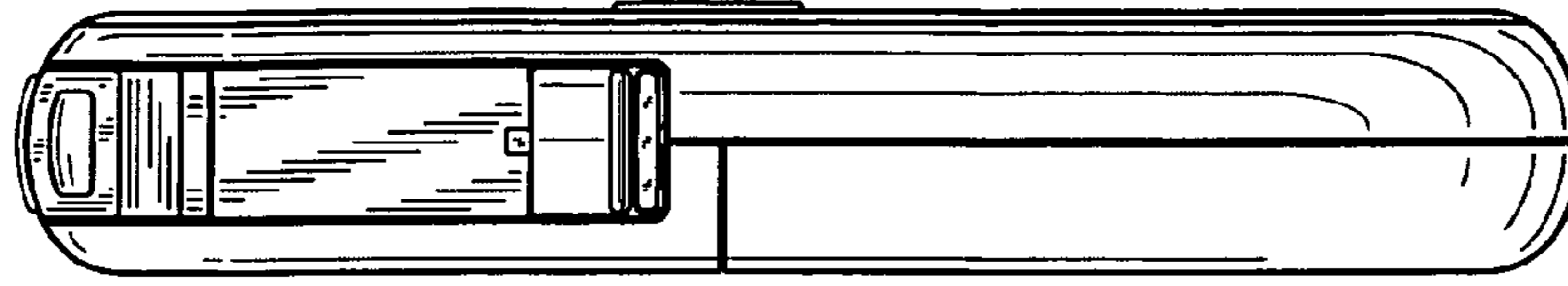


FIG. 12

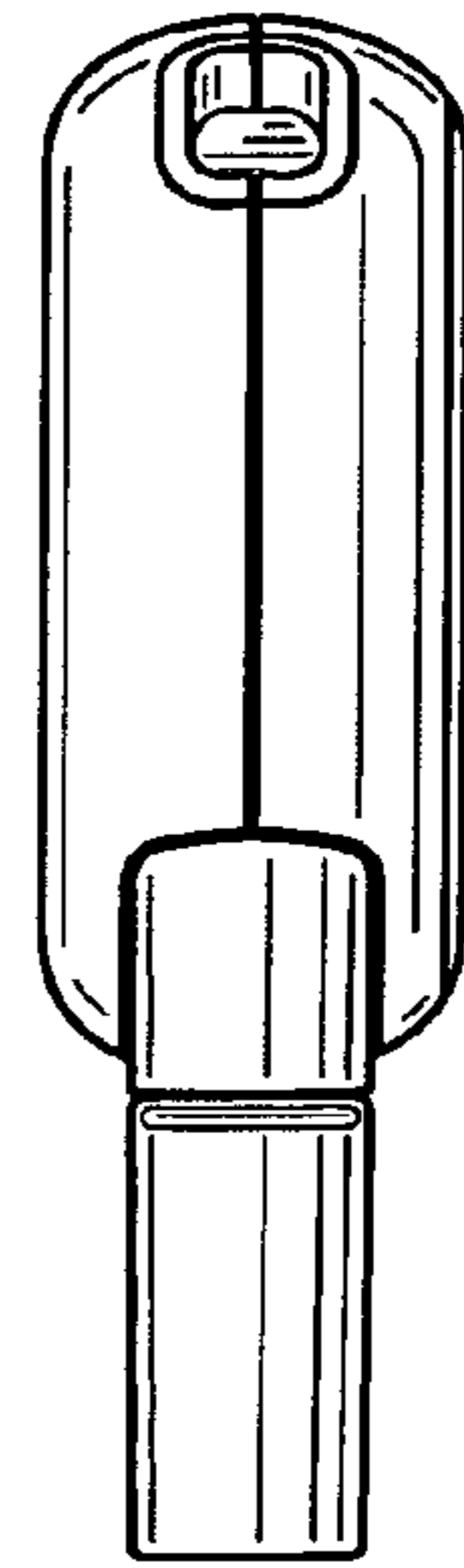


FIG. 13

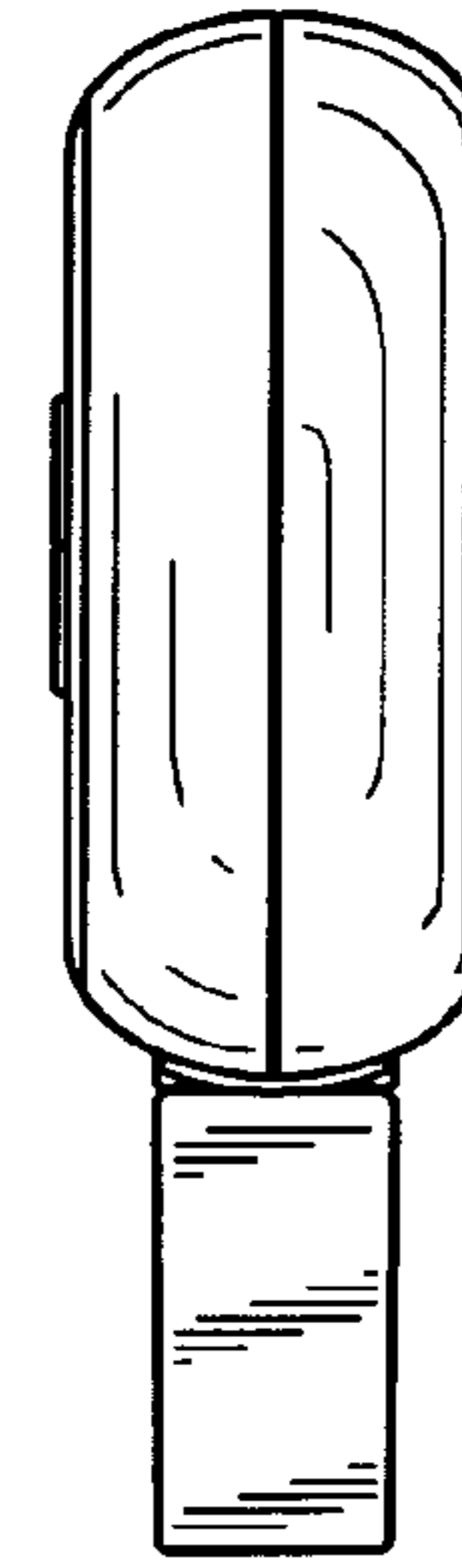


FIG. 14