



US00D586676S

(12) **United States Design Patent**
Wagner et al.

(10) **Patent No.:** **US D586,676 S**
(45) **Date of Patent:** **** Feb. 17, 2009**

(54) **MEASURING TAPE**

(75) Inventors: **Wolfgang Wagner**, Hamburg (DE);
Sabine Schober, Hamburg (DE)

(73) Assignee: **SECA AG**, Reinbach (CH)

(**) Term: **14 Years**

(21) Appl. No.: **29/300,566**

(22) Filed: **Apr. 10, 2008**

(30) **Foreign Application Priority Data**

Nov. 13, 2007 (EM) 000825674

(51) **LOC (9) Cl.** **10-04**

(52) **U.S. Cl.** **D10/72**

(58) **Field of Classification Search** D10/72;
33/755-771; 242/292, 381.1-381.6

See application file for complete search history.

(56) **References Cited**

U.S. PATENT DOCUMENTS

3,316,361 A * 4/1967 Thompson 242/381.6

4,786,010 A * 11/1988 Dynan D10/72

D428,922 S * 8/2000 Packard et al. D10/72

* cited by examiner

Primary Examiner—Antoine D Davis

(74) *Attorney, Agent, or Firm*—Nixon & Vanderhye, P.C.

(57) **CLAIM**

The ornamental design for an “measuring tape,” as shown and described.

DESCRIPTION

FIG. 1 is a top perspective view of a measuring tape in accordance with our new design;

FIG. 2 is a bottom perspective view thereof;

FIG. 3 is a right side elevation view thereof;

FIG. 4 is a top plan view thereof;

FIG. 5 is a bottom plan view thereof;

FIG. 6 is a left side view thereof;

FIG. 7 is a front elevation view thereof;

FIG. 8 is a rear elevation view thereof;

FIG. 9 is a perspective view similar to FIG. 1 but with the measuring tape extended;

FIG. 10 is a bottom perspective view with the measuring tape extended;

FIG. 11 is a right side elevation view with the measuring tape extended;

FIG. 12 is a top plan view with the measuring tape extended;

FIG. 13 is a bottom plan view with the measuring tape extended;

FIG. 14 is a left side elevation view with the measuring tape extended;

FIG. 15 is a front elevation view with the measuring tape extended; and,

FIG. 16 is a rear elevation view with the measuring tape extended.

1 Claim, 8 Drawing Sheets

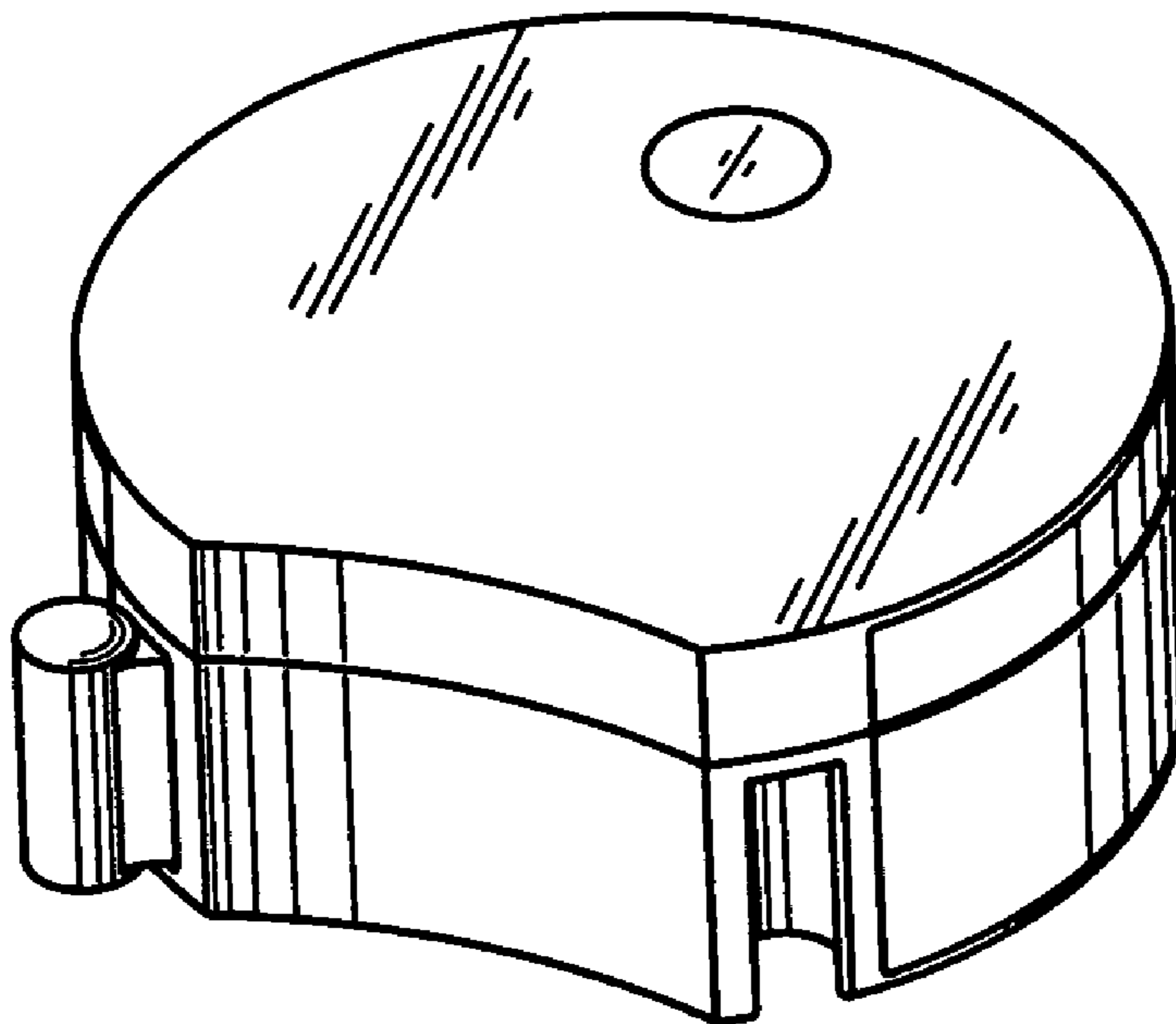


Fig. 1

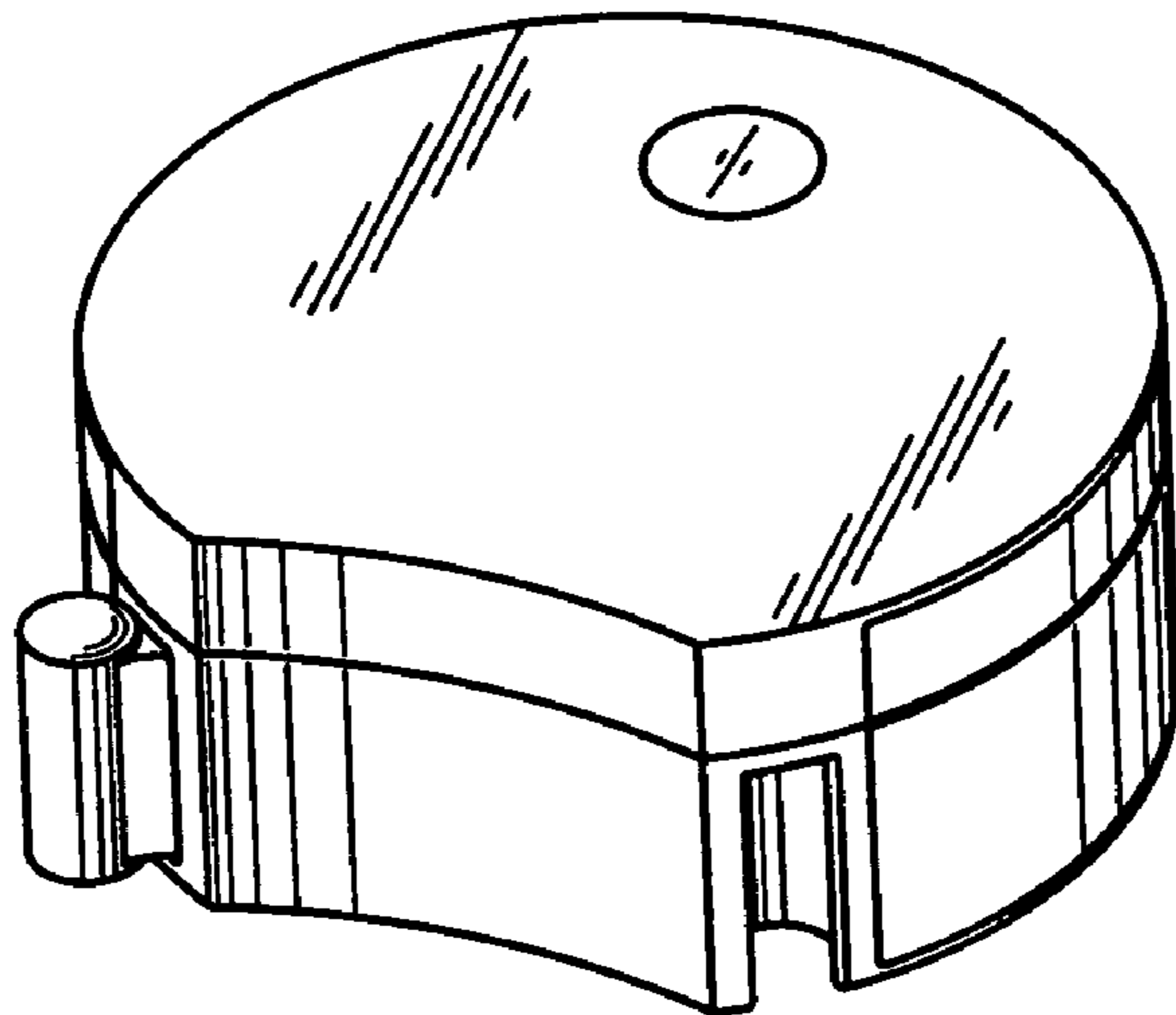


Fig. 2

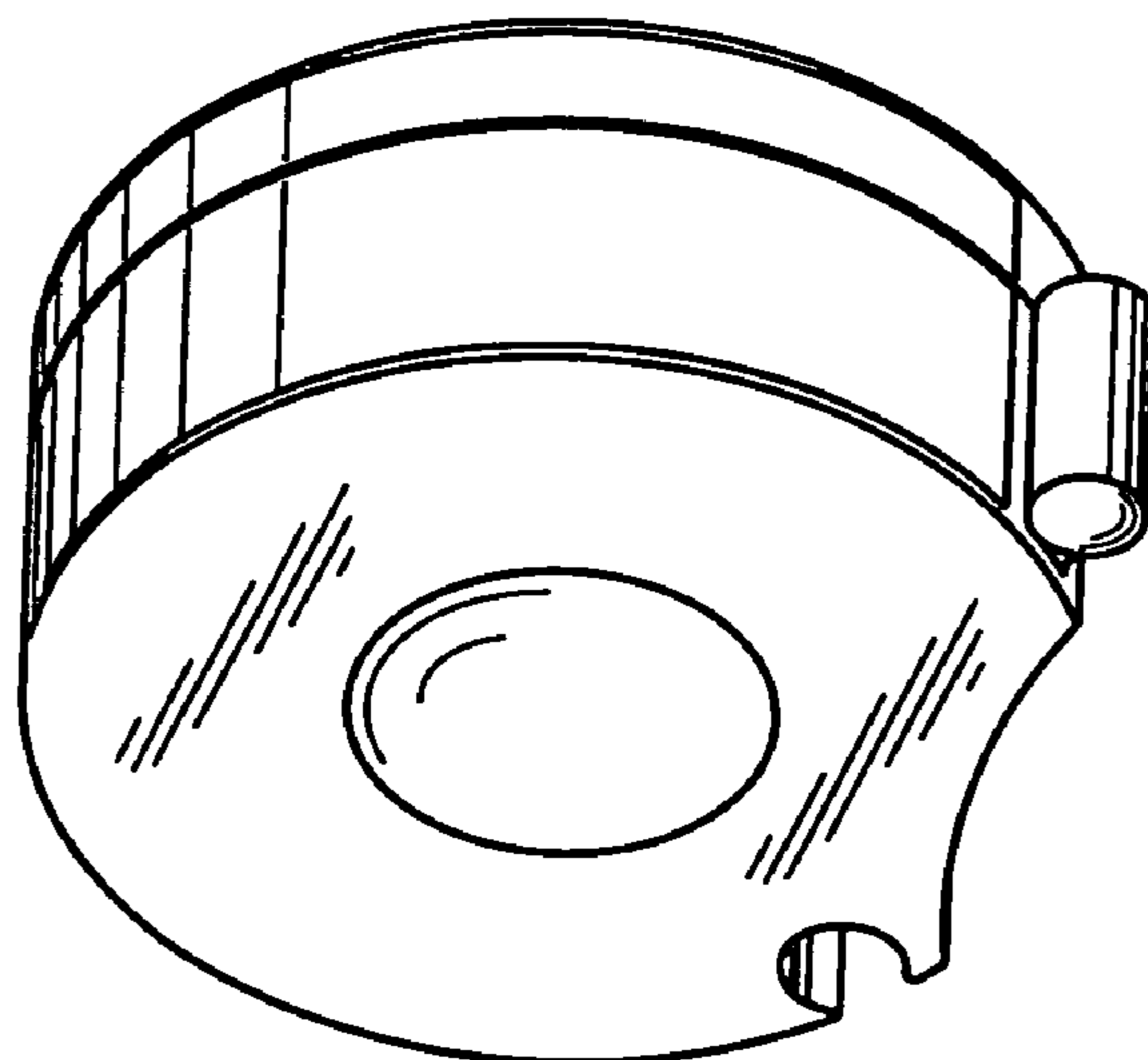


Fig. 3

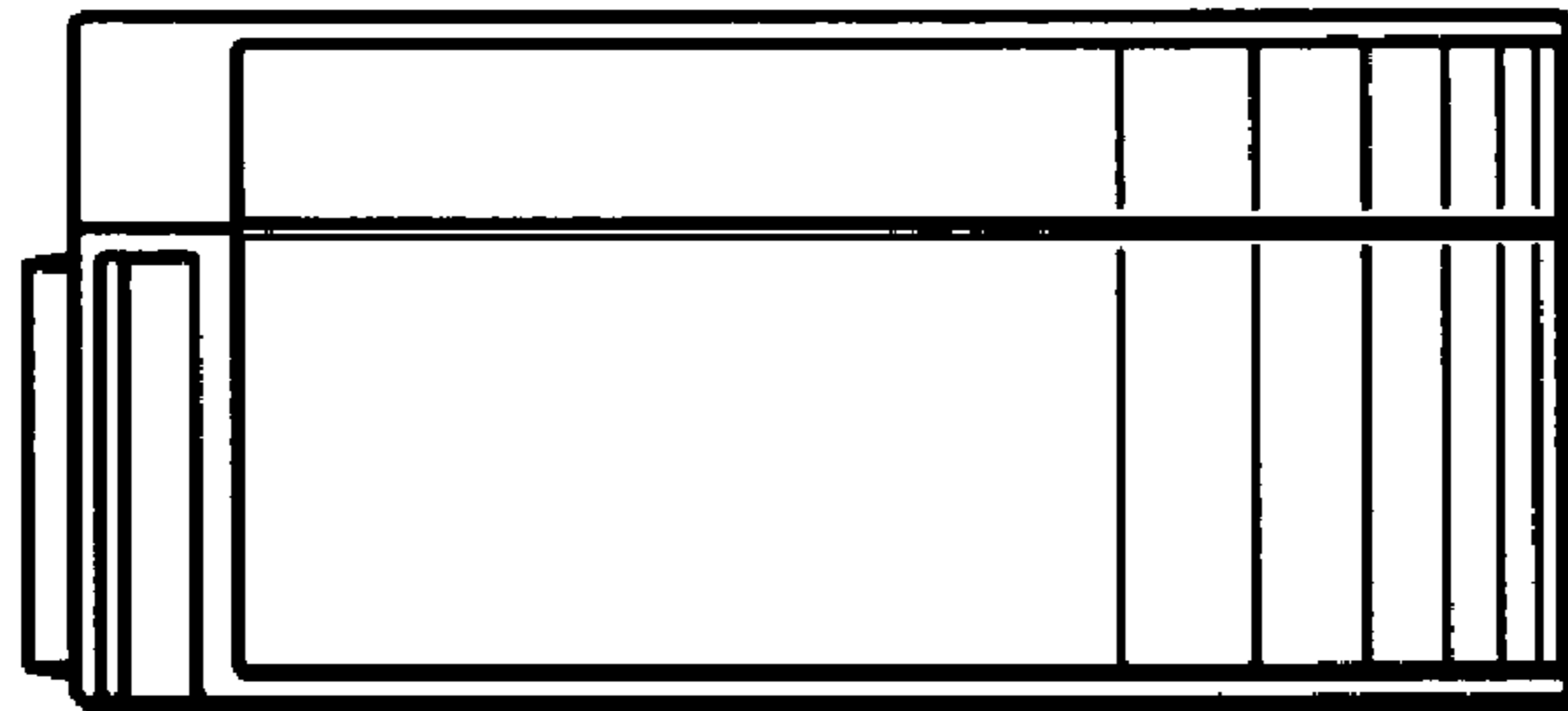


Fig. 4

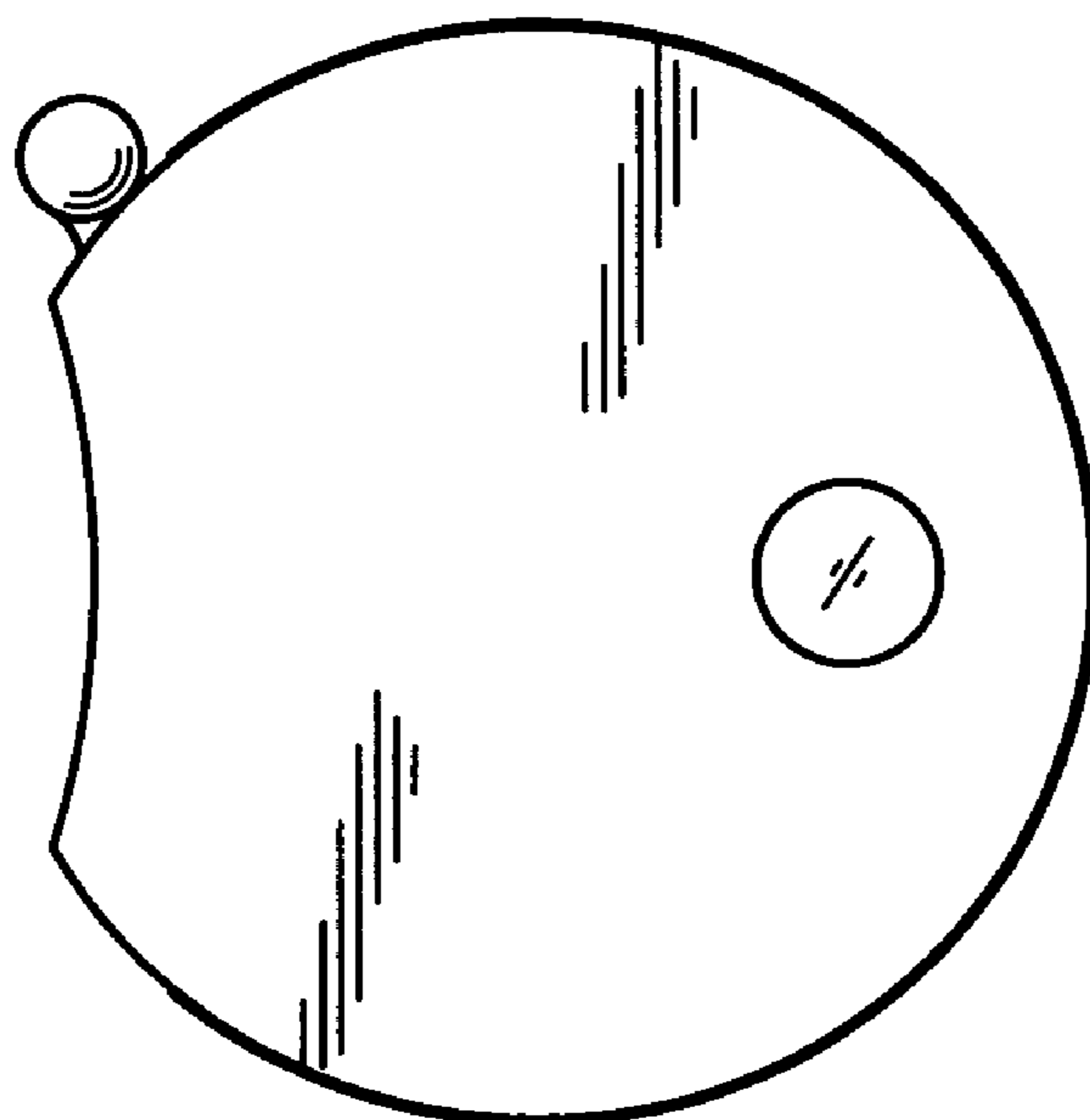


Fig. 5

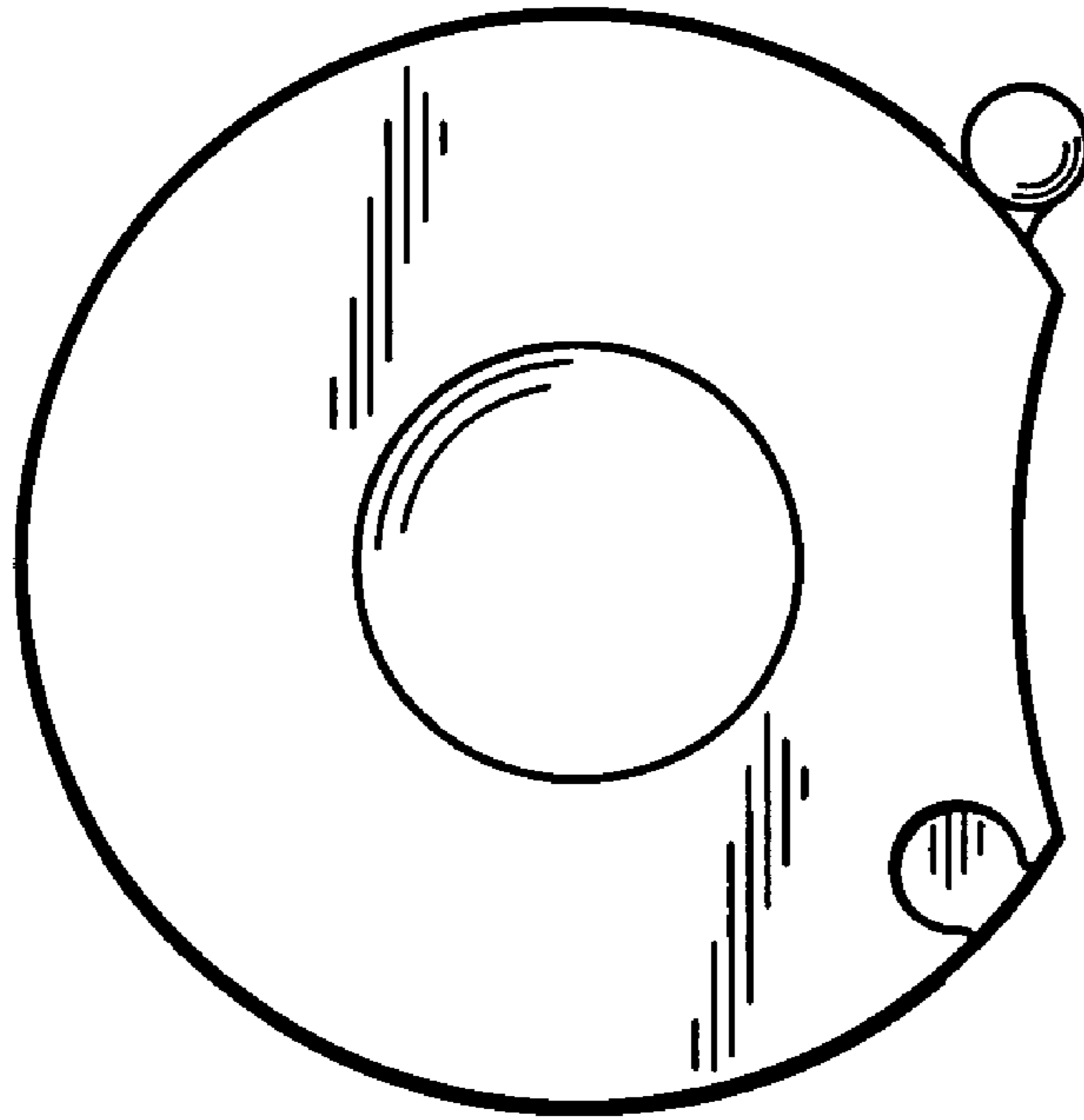


Fig. 6

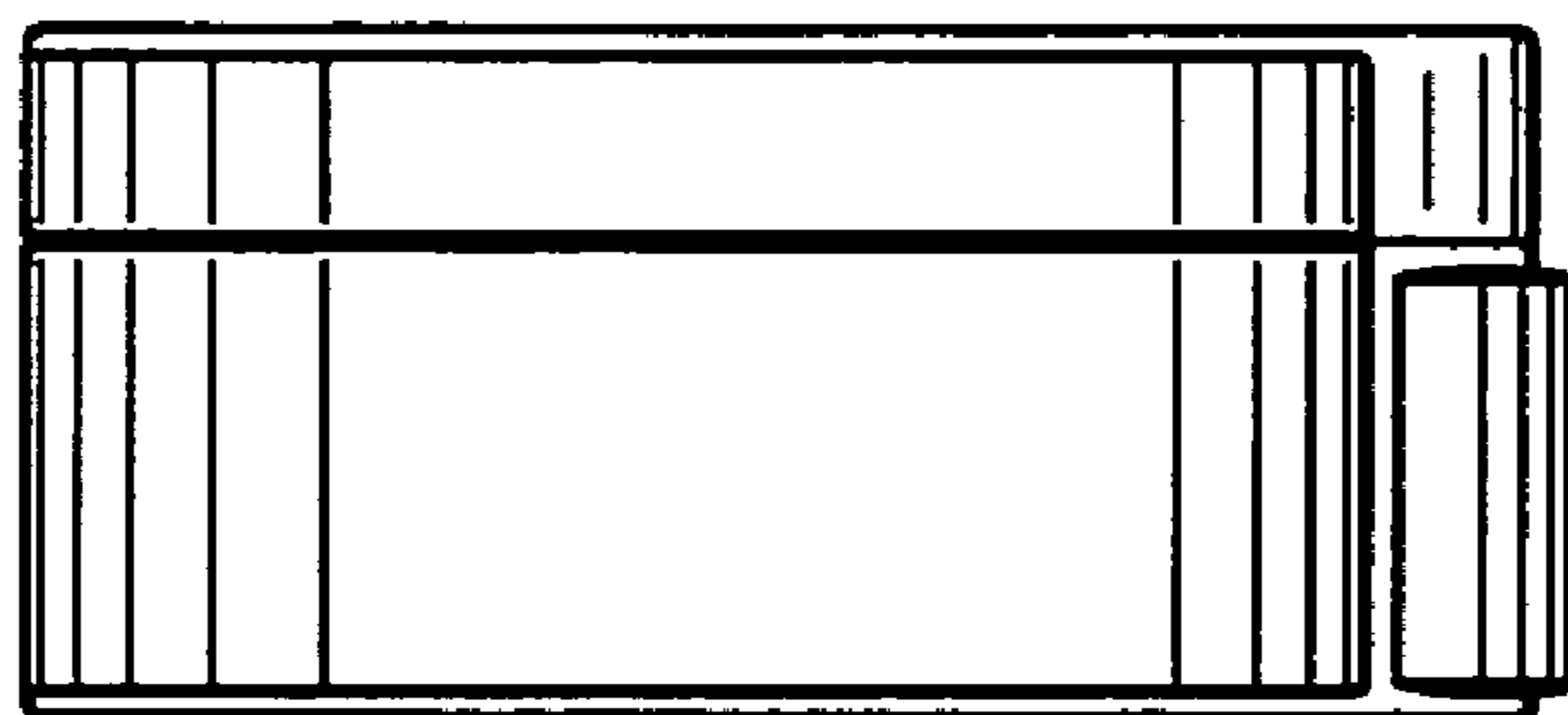


Fig. 7

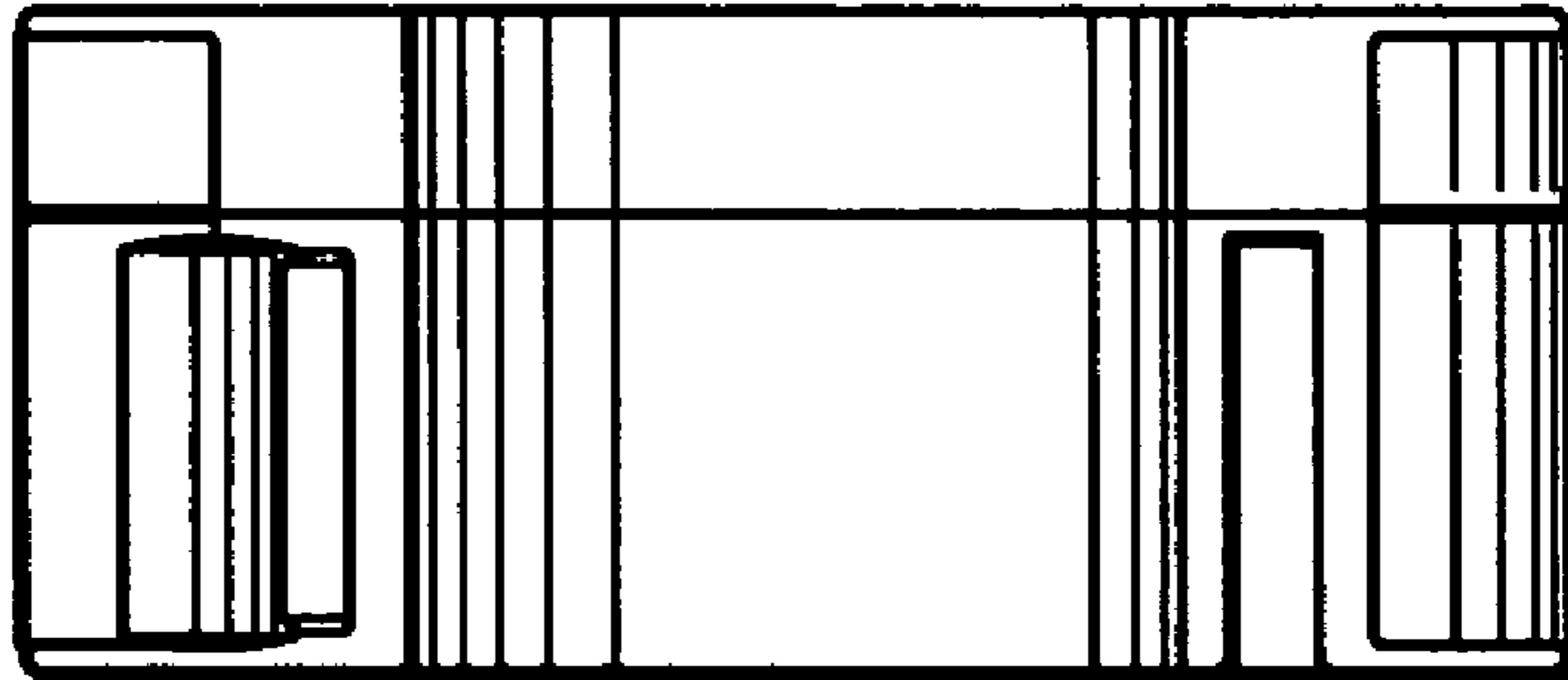


Fig. 8

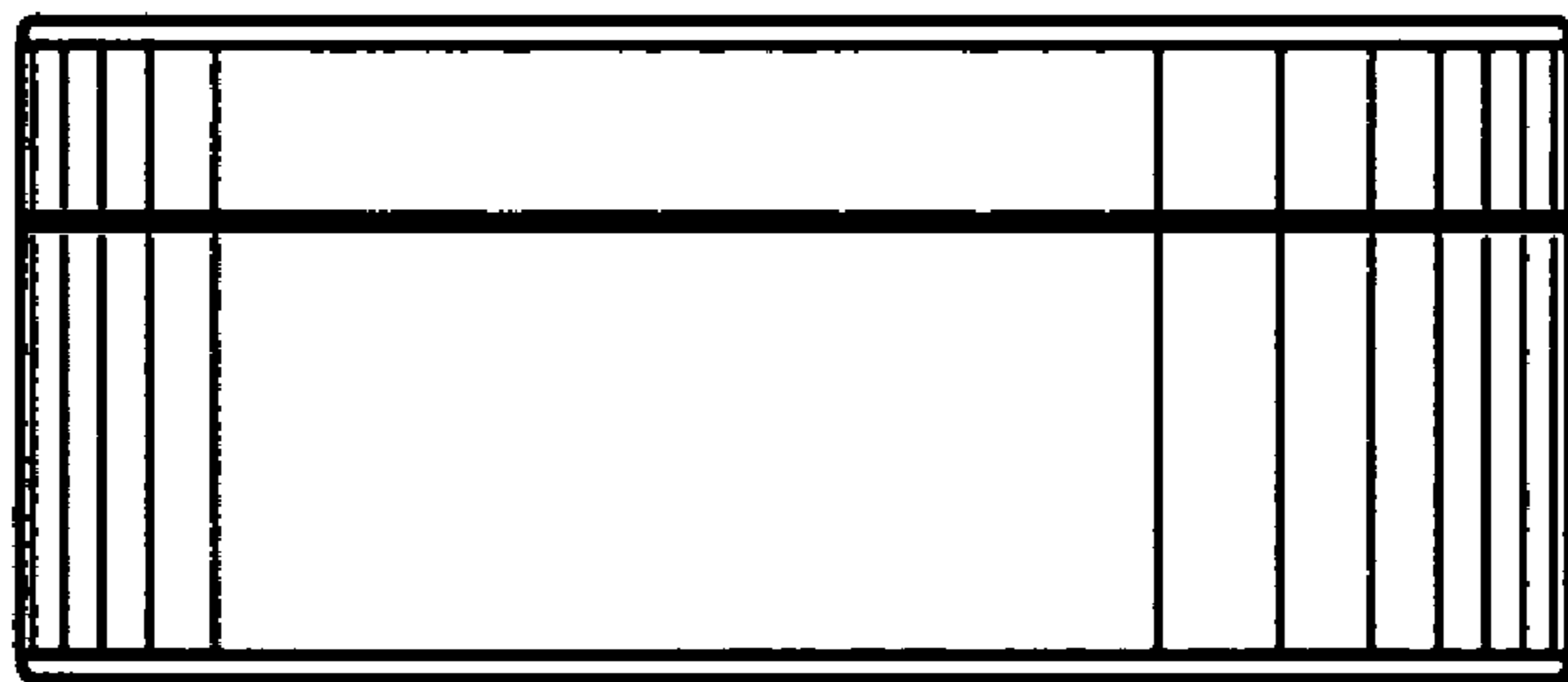


Fig. 9

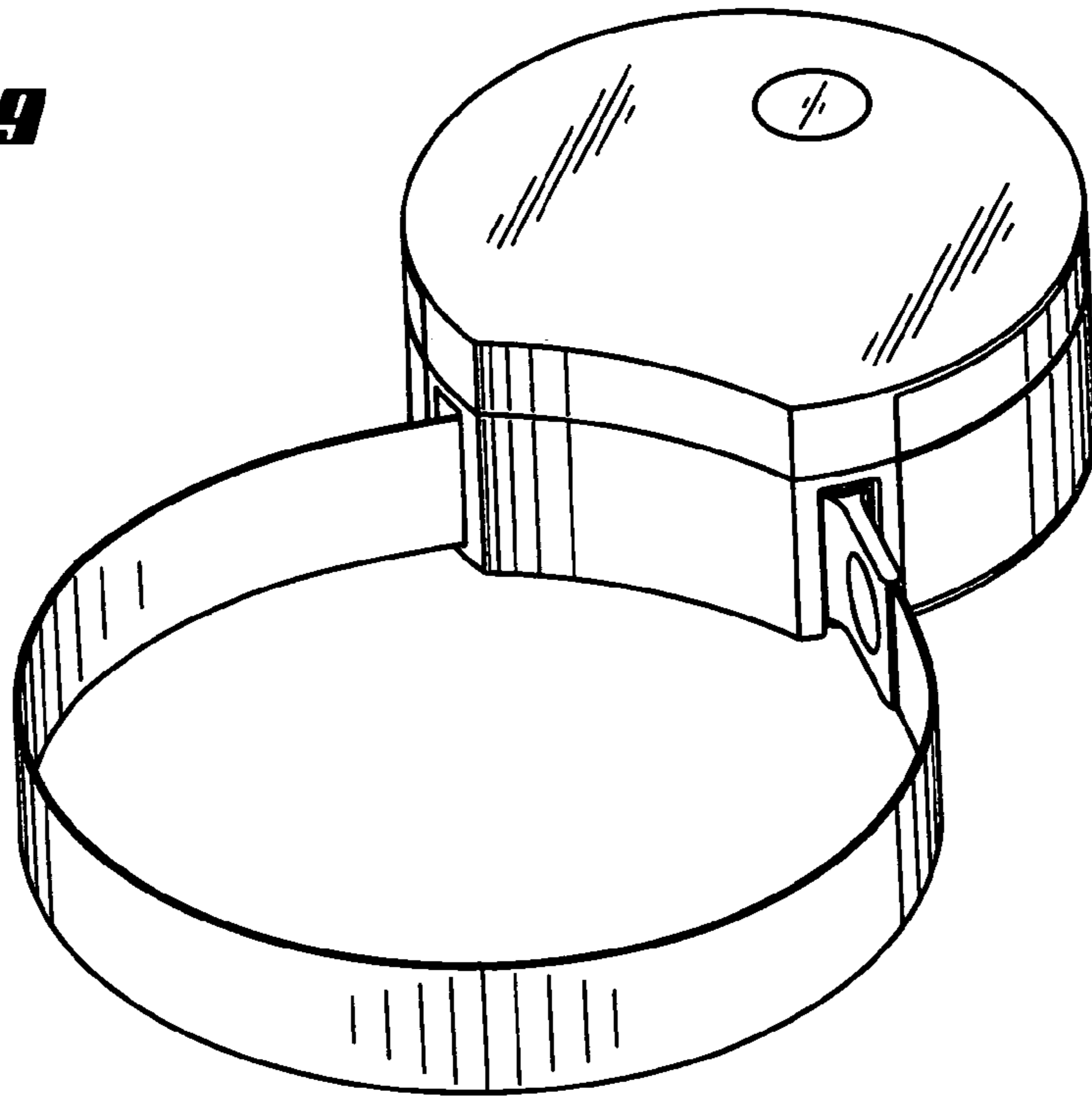


Fig. 10

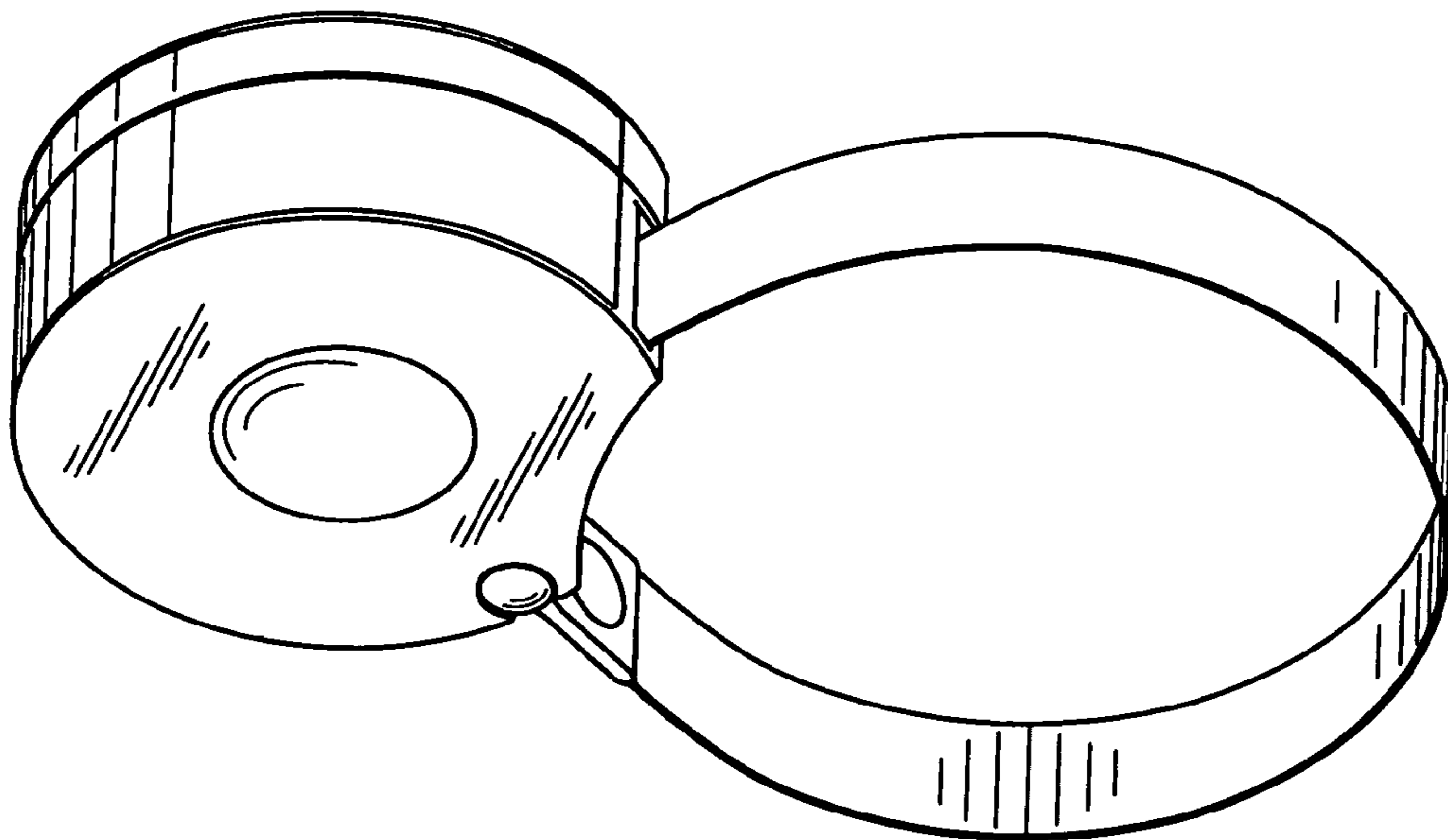


Fig. 11

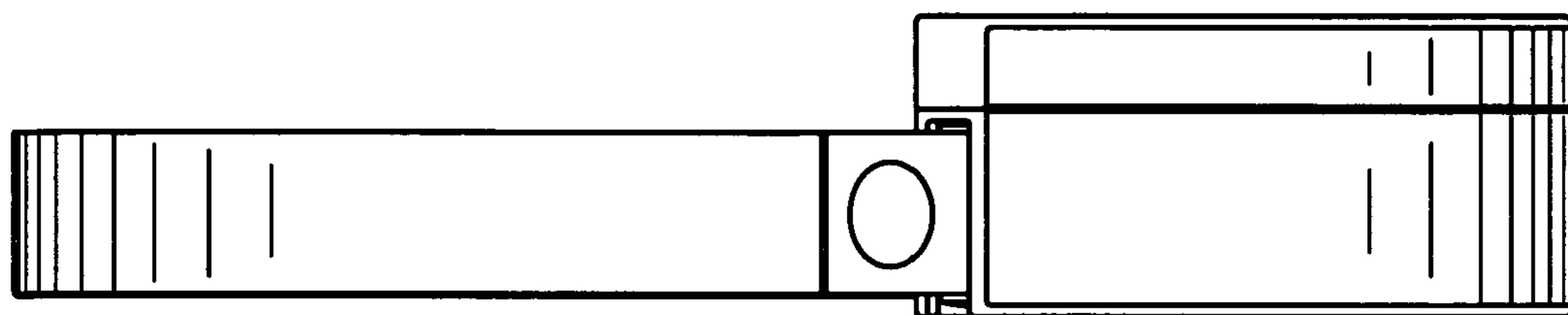


Fig. 12

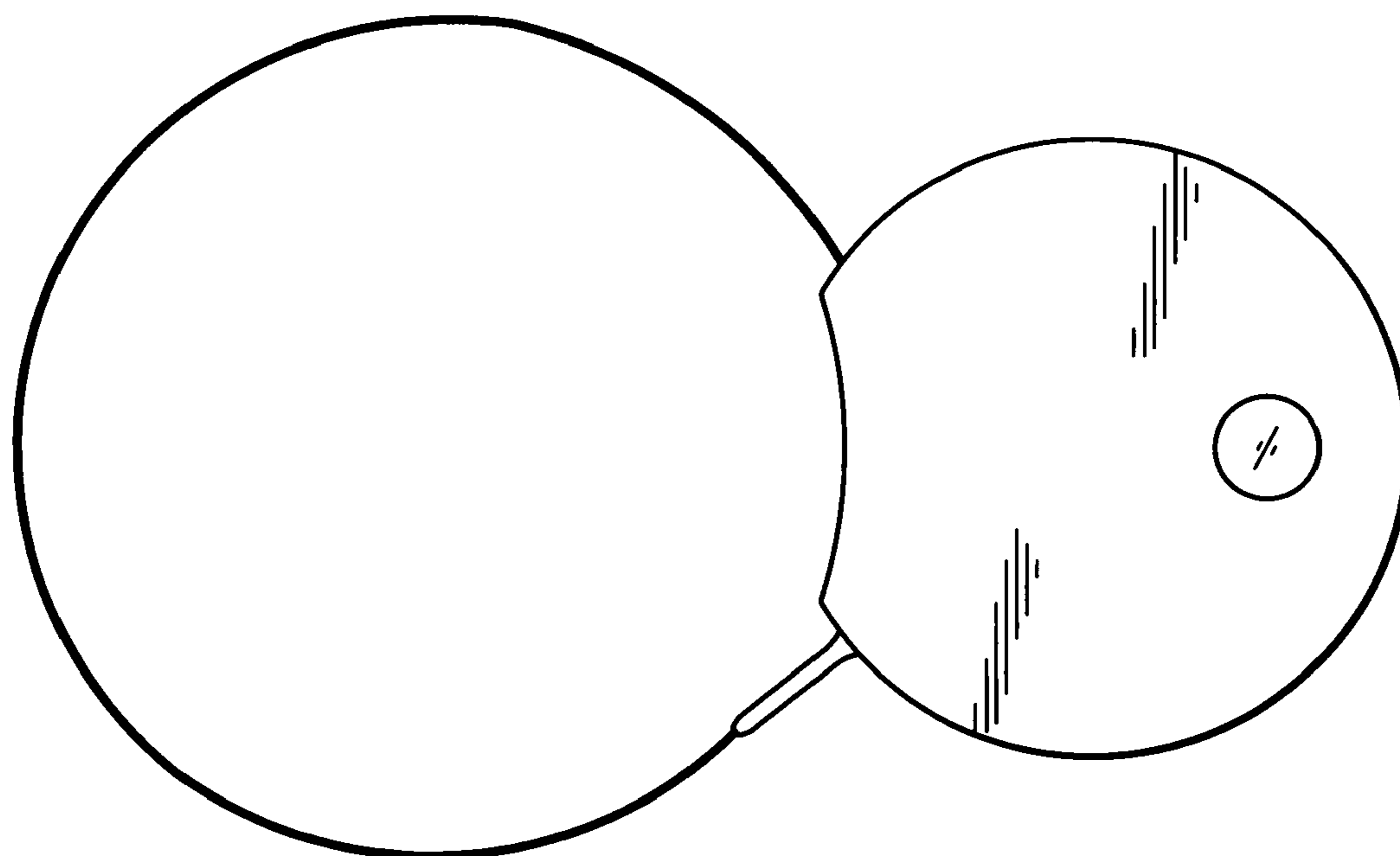


Fig. 13

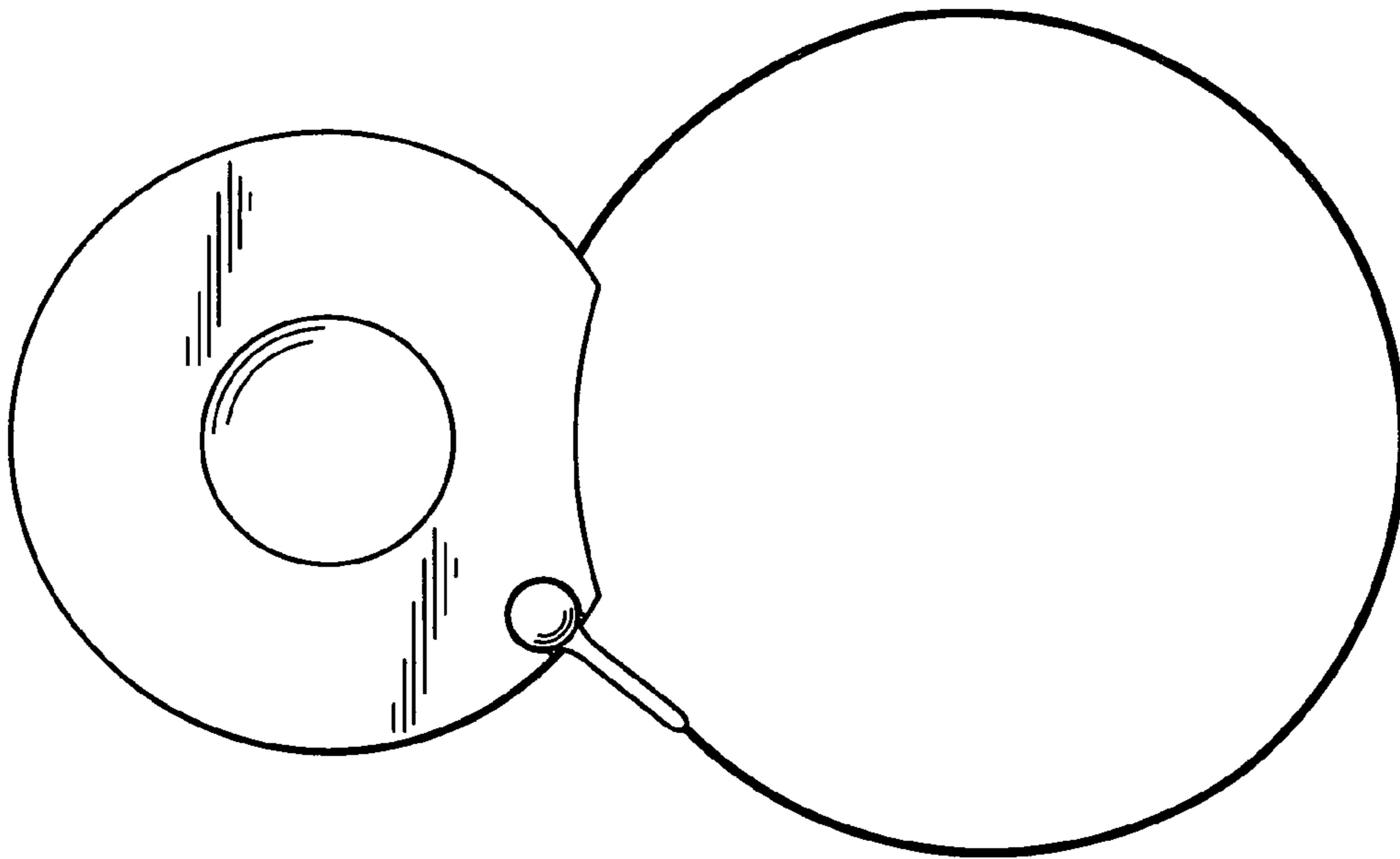


Fig. 14

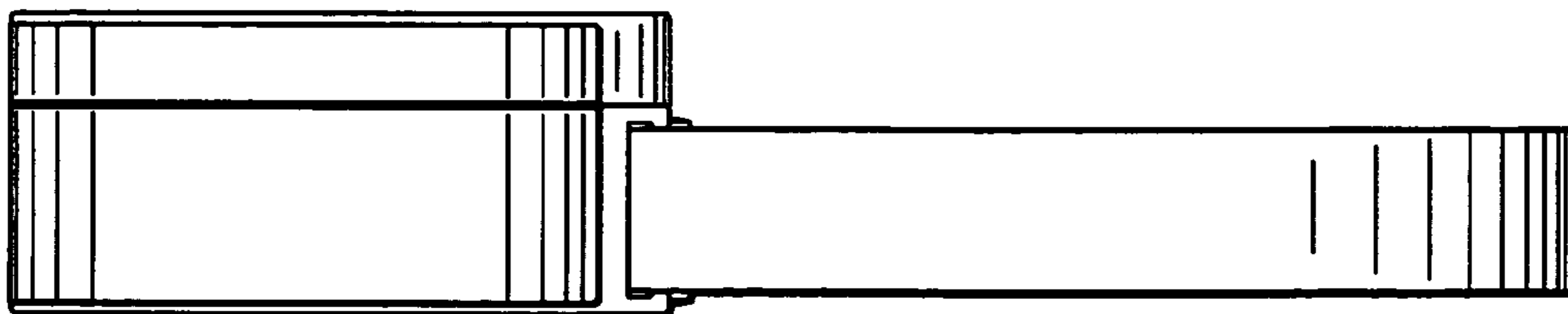


Fig. 15

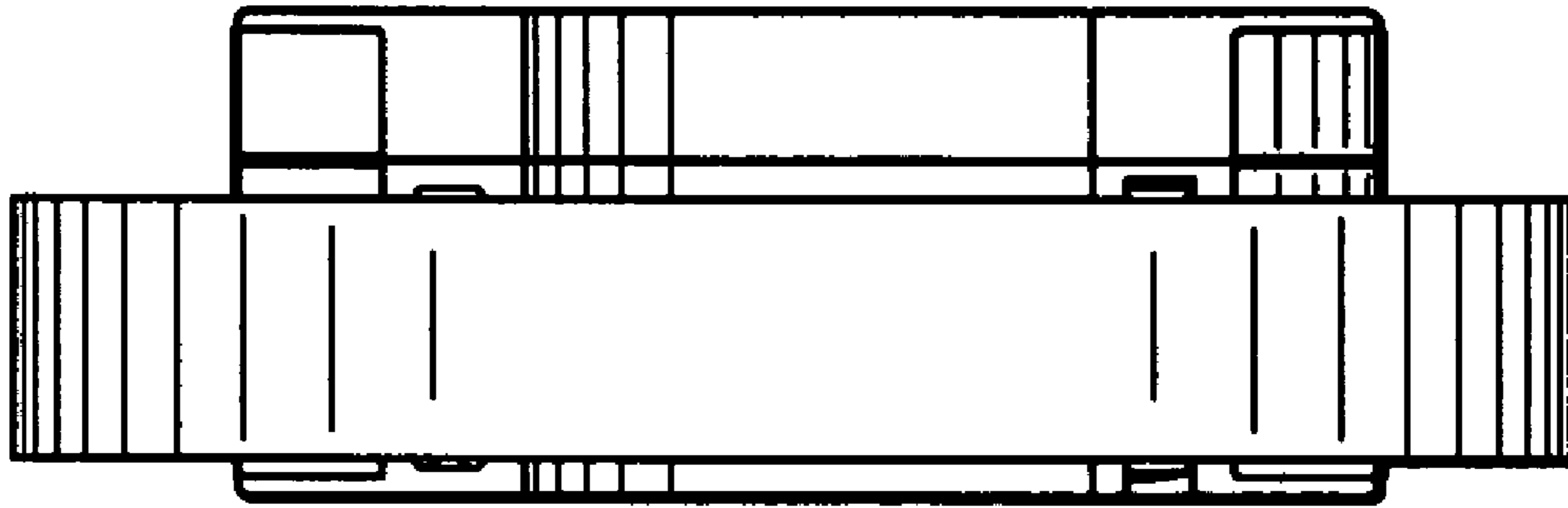


Fig. 16

