



US00D586673S

(12) **United States Design Patent**
Kobayakawa

(10) **Patent No.:** **US D586,673 S**

(45) **Date of Patent:** **** Feb. 17, 2009**

(54) **PEDOMETER**

(75) Inventor: **Tatsutoshi Kobayakawa**, Tokyo (JP)

(73) Assignee: **Tanita Corporation**, Tokyo (JP)

(**) Term: **14 Years**

(21) Appl. No.: **29/307,582**

(22) Filed: **Apr. 28, 2008**

(30) **Foreign Application Priority Data**

Oct. 31, 2007 (JP) 2007-030005

(51) **LOC (9) Cl.** **10-04**

(52) **U.S. Cl.** **D10/70**

(58) **Field of Classification Search** D10/70;
235/105; 377/5, 24.2, 26; 73/514.33, 514.34;
702/155, 160, 176, 78, 79, 82, 91, 92-95,
702/104, 116, 141, 150, 151, 154; 324/522
See application file for complete search history.

(56) **References Cited**

U.S. PATENT DOCUMENTS

D545,226 S * 6/2007 Azuma D10/70

* cited by examiner

Primary Examiner—Antoine D Davis

(74) *Attorney, Agent, or Firm*—Frishauf, Holtz, Goodman & Chick, P.C.

(57) **CLAIM**

The ornamental design for a pedometer, as shown and described.

DESCRIPTION

FIG. 1 is a front, right side, bottom perspective view of a pedometer showing my new design;

FIG. 2 is a front elevational view thereof;

FIG. 3 is a rear elevational view thereof;

FIG. 4 is a left side view thereof;

FIG. 5 is a right side view thereof;

FIG. 6 is a top plan view thereof;

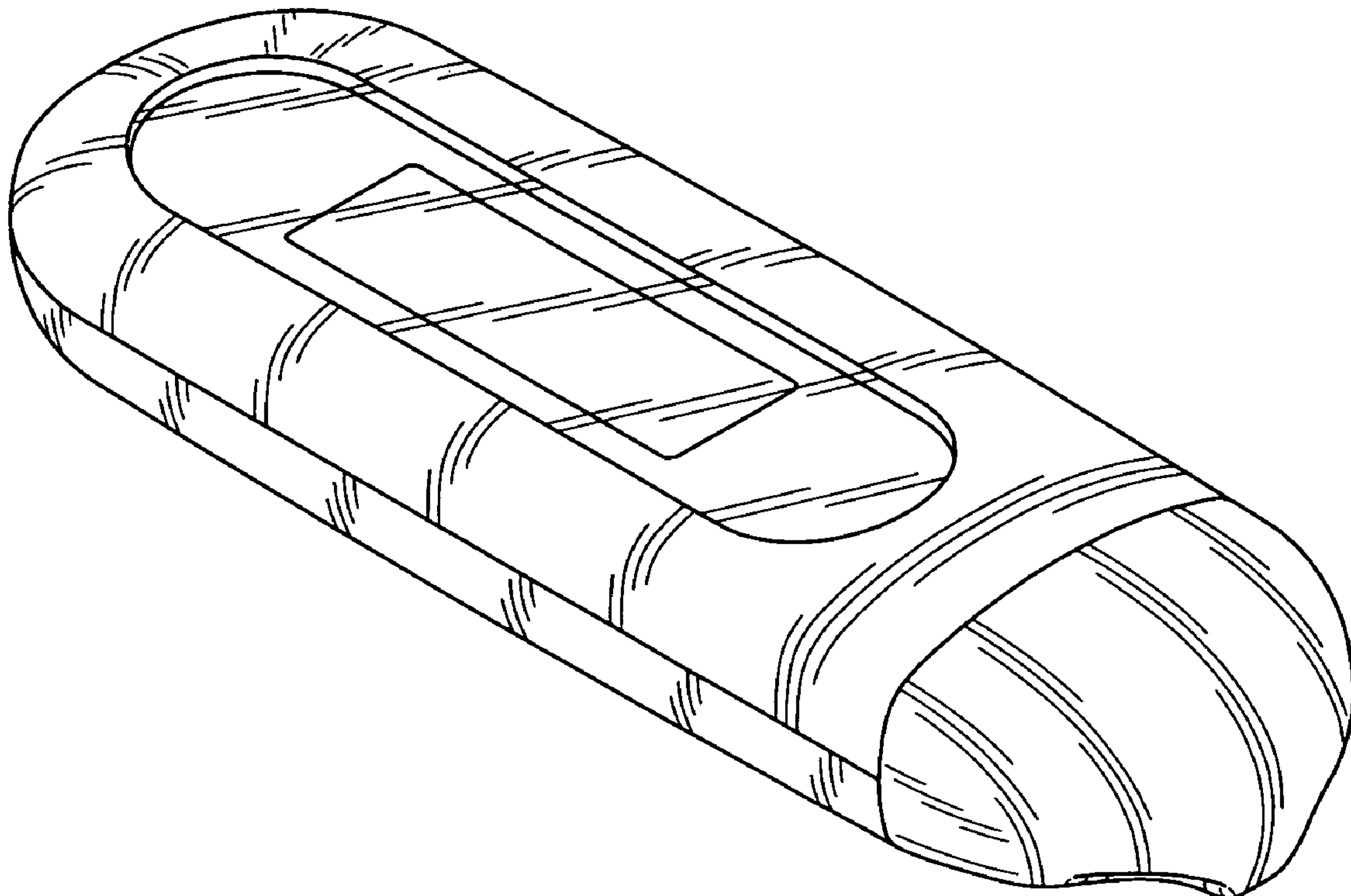
FIG. 7 is a bottom plan view thereof;

FIG. 8 is a perspective view thereof showing a state in which a cap portion is detached; and,

FIG. 9 is a reference front elevational view thereof showing a state in which this article is electrified.

The portions in broken lines are shown for illustrative purposes only and form no part of the claimed design.

1 Claim, 6 Drawing Sheets



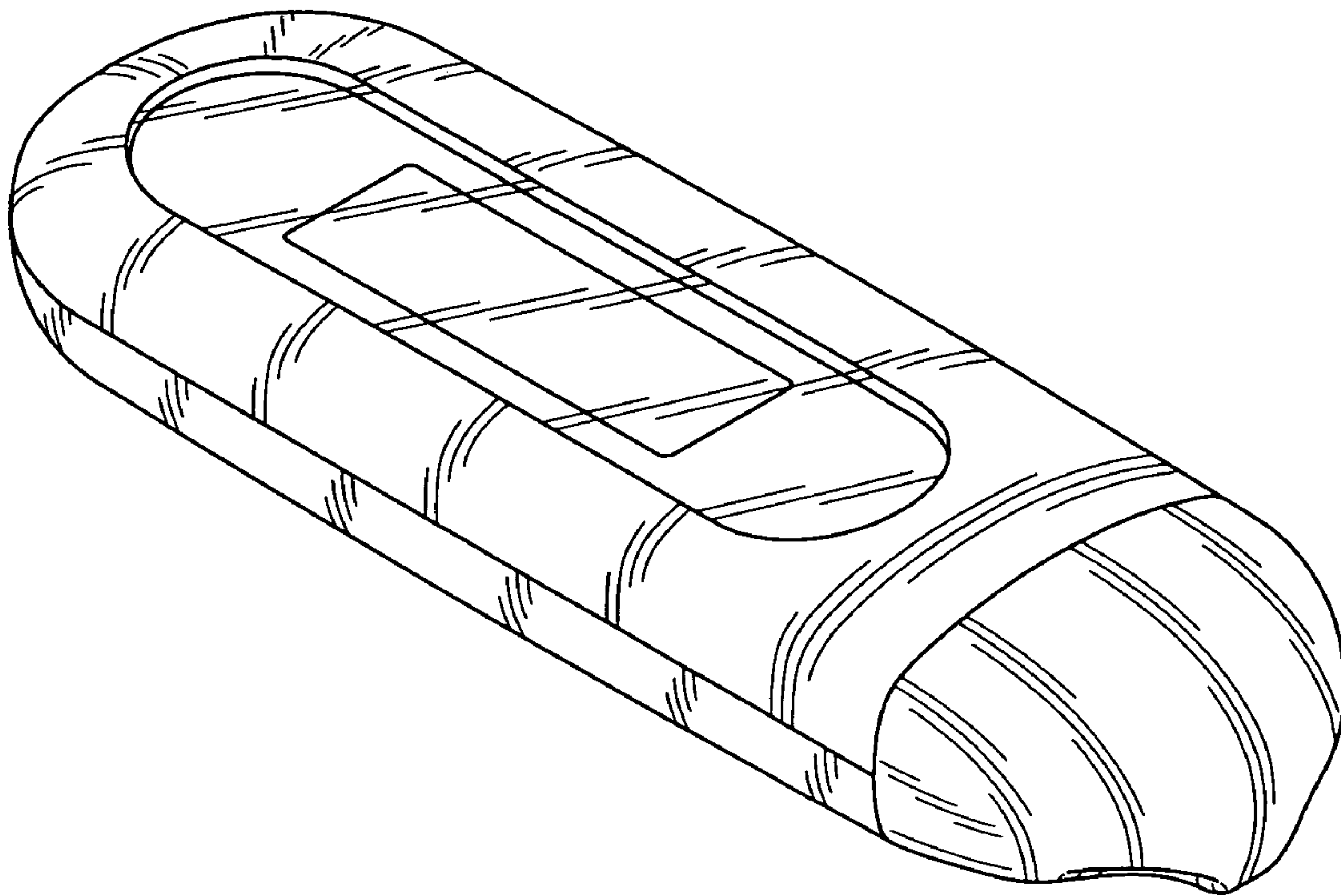


FIG. 1

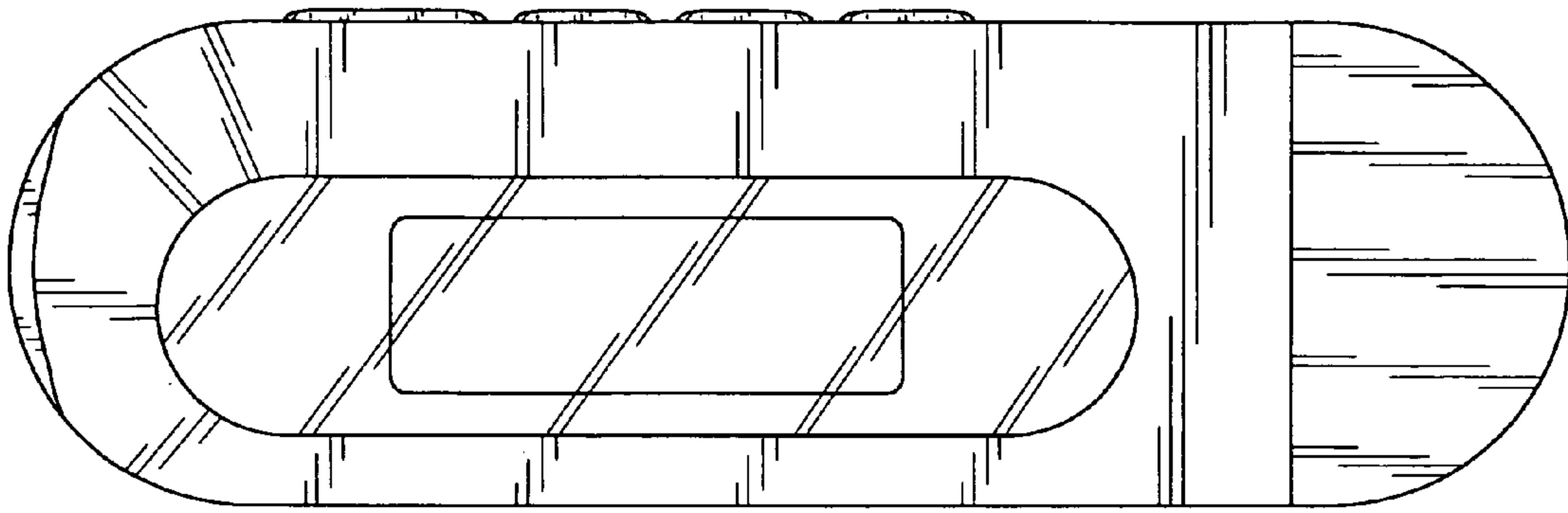


FIG. 2

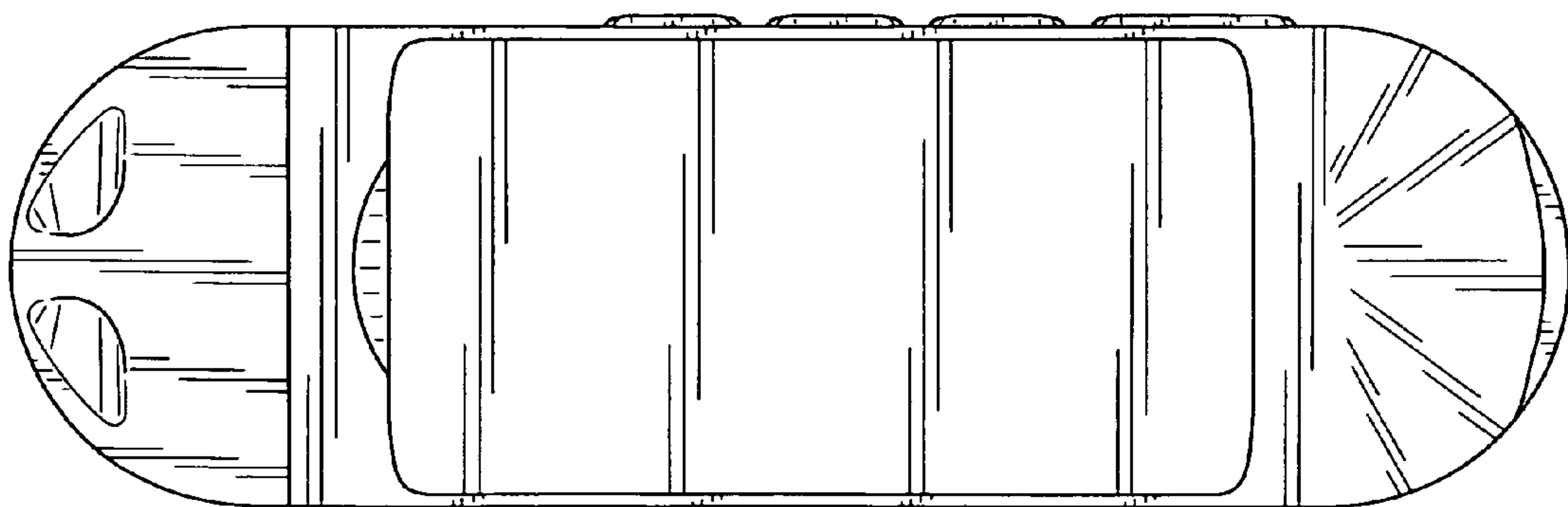


FIG. 3

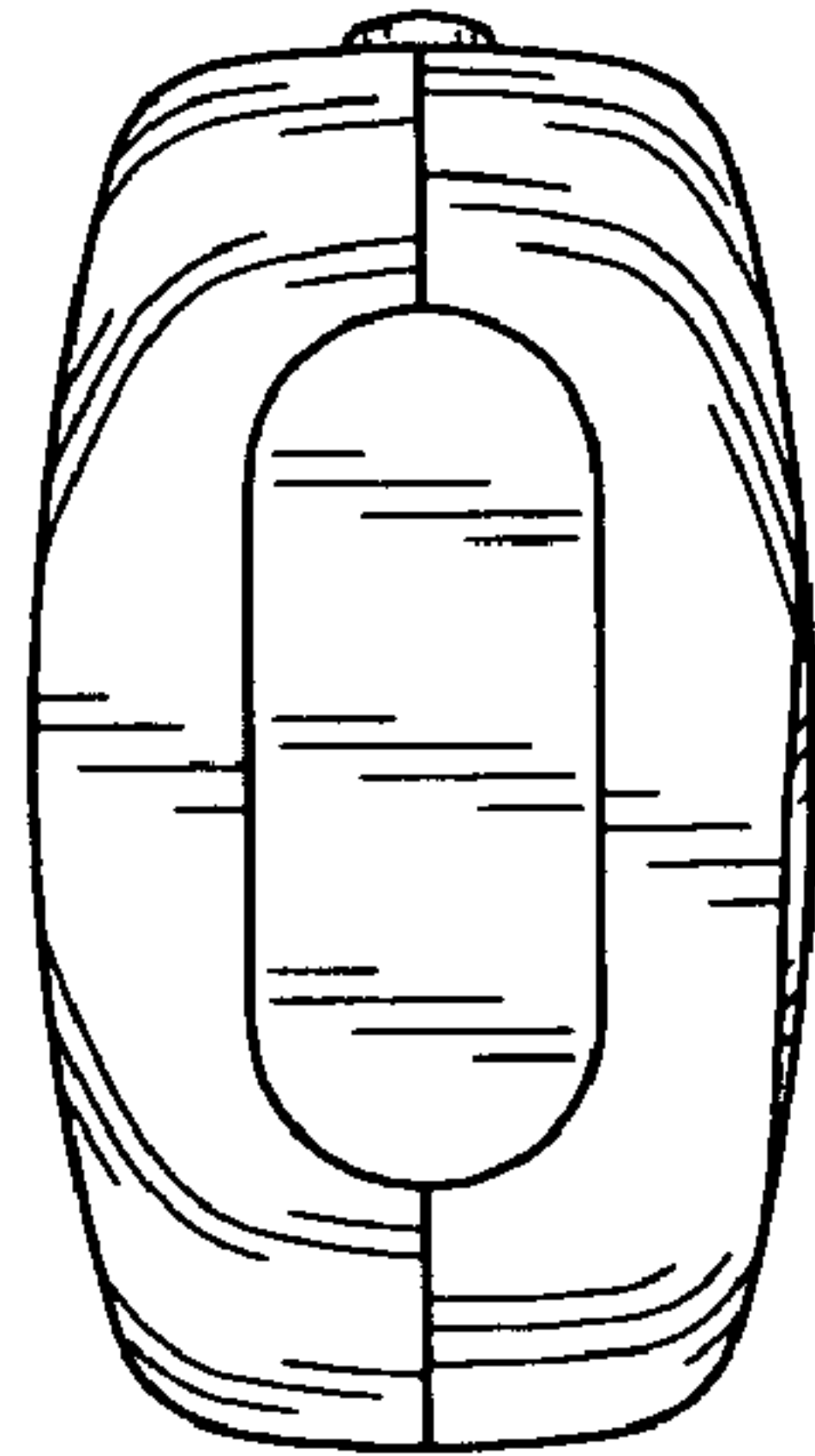


FIG. 4

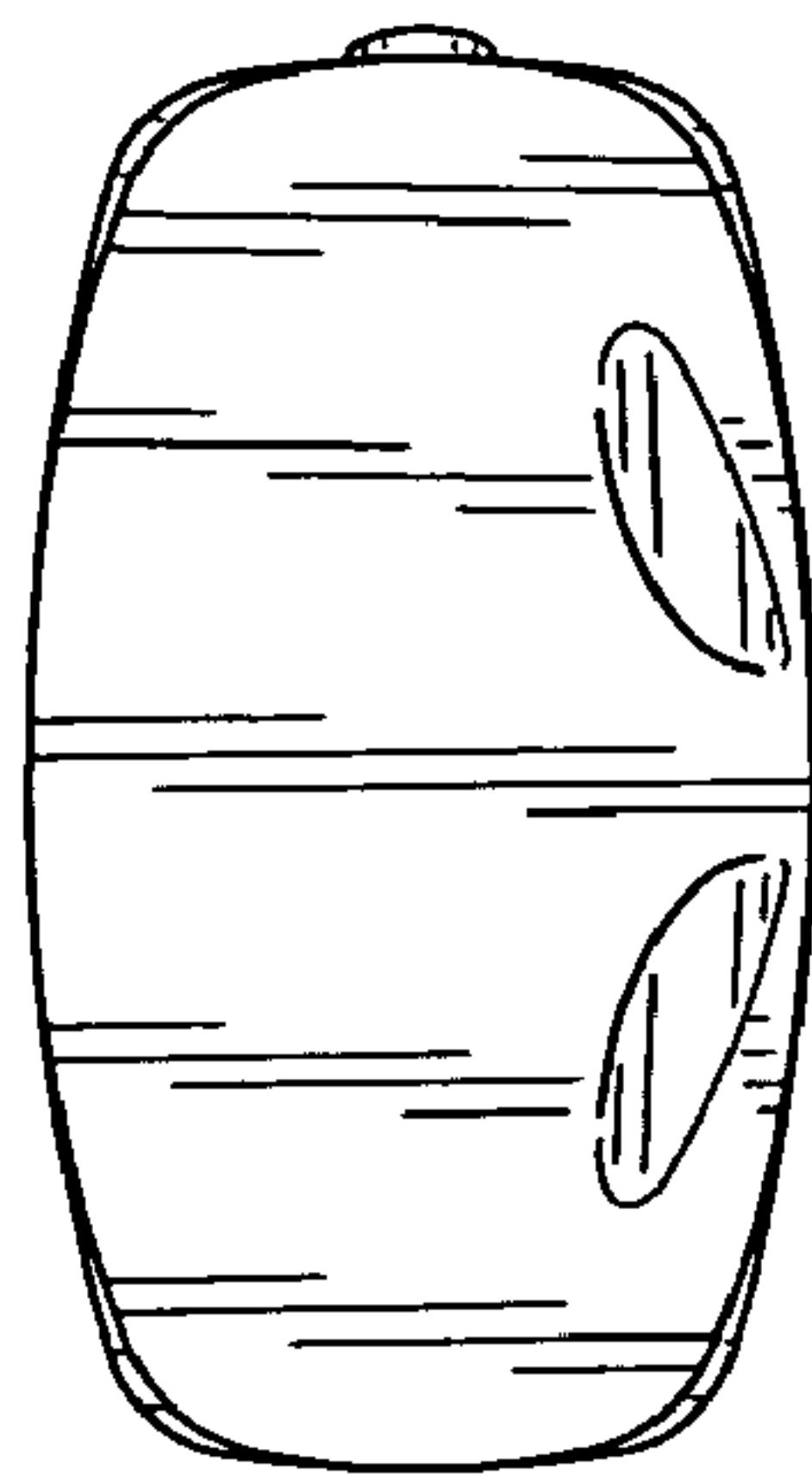


FIG. 5

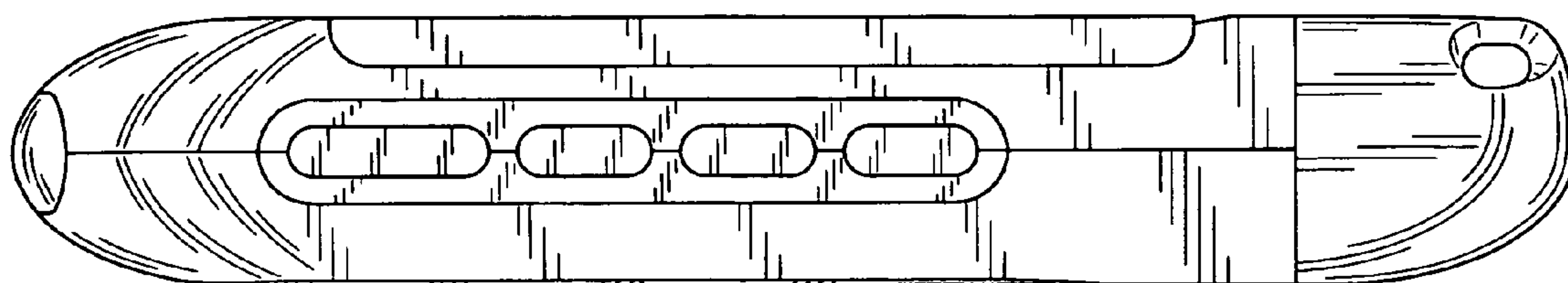


FIG. 6

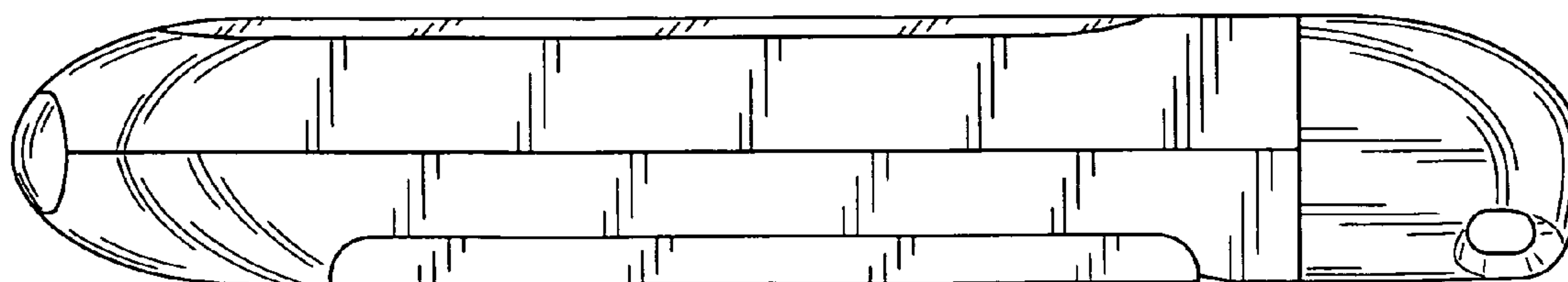


FIG. 7

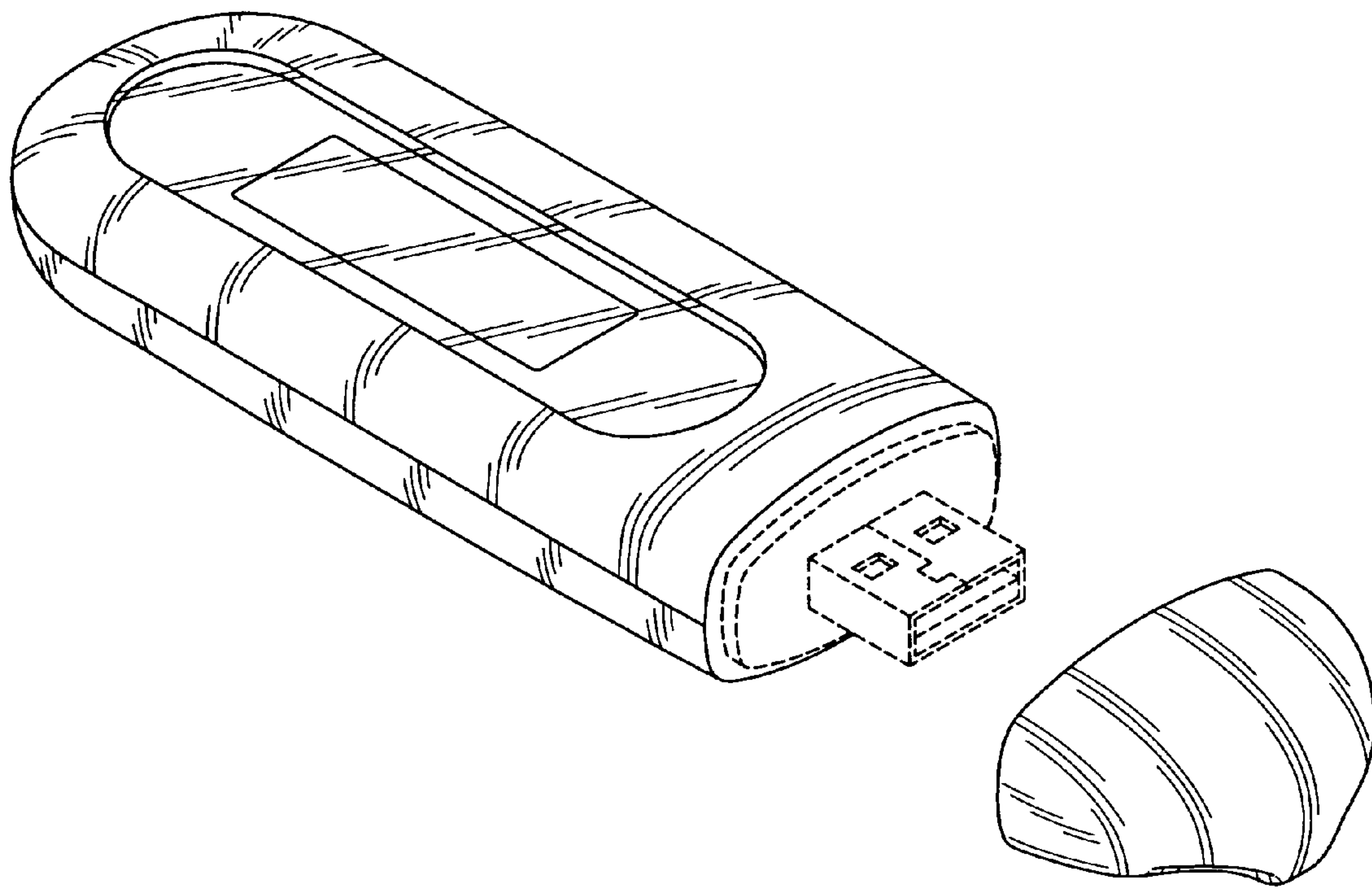


FIG. 8

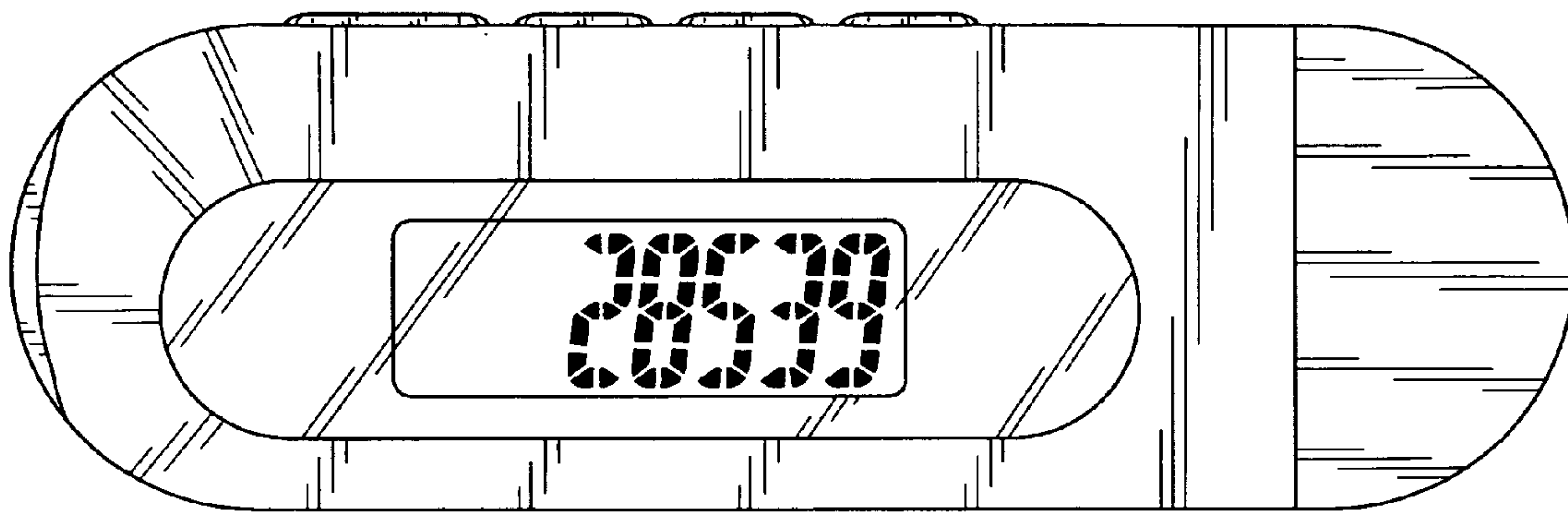


FIG. 9