



US00D586671S

(12) **United States Design Patent**  
**Eide et al.**

(10) **Patent No.:** **US D586,671 S**  
(45) **Date of Patent:** **\*\* Feb. 17, 2009**

(54) **THERMOMETER**

(75) Inventors: **Annbjorg Eide**, Elmira, NY (US);  
**Deborah A. Green-Cotton**, Chicago, IL  
(US); **Gina Louise Reimann**, Brooklyn,  
NY (US)

(73) Assignee: **WKI Holding Company, Inc.**,  
Rosemont, IL (US)

(\*\*) Term: **14 Years**

(21) Appl. No.: **29/306,942**

(22) Filed: **Apr. 18, 2008**

(51) **LOC (9) Cl.** ..... **10-04**

(52) **U.S. Cl.** ..... **D10/57**

(58) **Field of Classification Search** ..... D10/57-58;  
99/343, 419, 421 TP; 116/216; 374/1-208  
See application file for complete search history.

(56) **References Cited**

U.S. PATENT DOCUMENTS

D423,956 S *	5/2000	Chen	.....	D10/57
D448,684 S	10/2001	Sanoner		
D457,822 S *	5/2002	Rushton	.....	D10/57
D478,822 S *	8/2003	Kaiser et al.	.....	D10/57
D487,022 S *	2/2004	Mayer et al.	.....	D10/57
D571,232 S *	6/2008	Lawler et al.	.....	D10/57
D573,904 S *	7/2008	Lawler et al.	.....	D10/57

7,401,409 B2 \* 7/2008 Jenkins et al. .... 99/419  
2007/0230538 A1 \* 10/2007 Koon et al. .... 374/205

\* cited by examiner

*Primary Examiner*—Antoine D Davis  
(74) *Attorney, Agent, or Firm*—McDermott Will & Emery  
LLP

(57) **CLAIM**

The ornamental design for a thermometer, as shown and described.

**DESCRIPTION**

FIG. 1 is a perspective view of a thermometer according to the new design;

FIG. 2 is a top view of the thermometer shown in FIG. 1;

FIG. 3 is a bottom view of the thermometer shown in FIG. 1;

FIG. 4 is a rear view of the thermometer shown in FIG. 1;

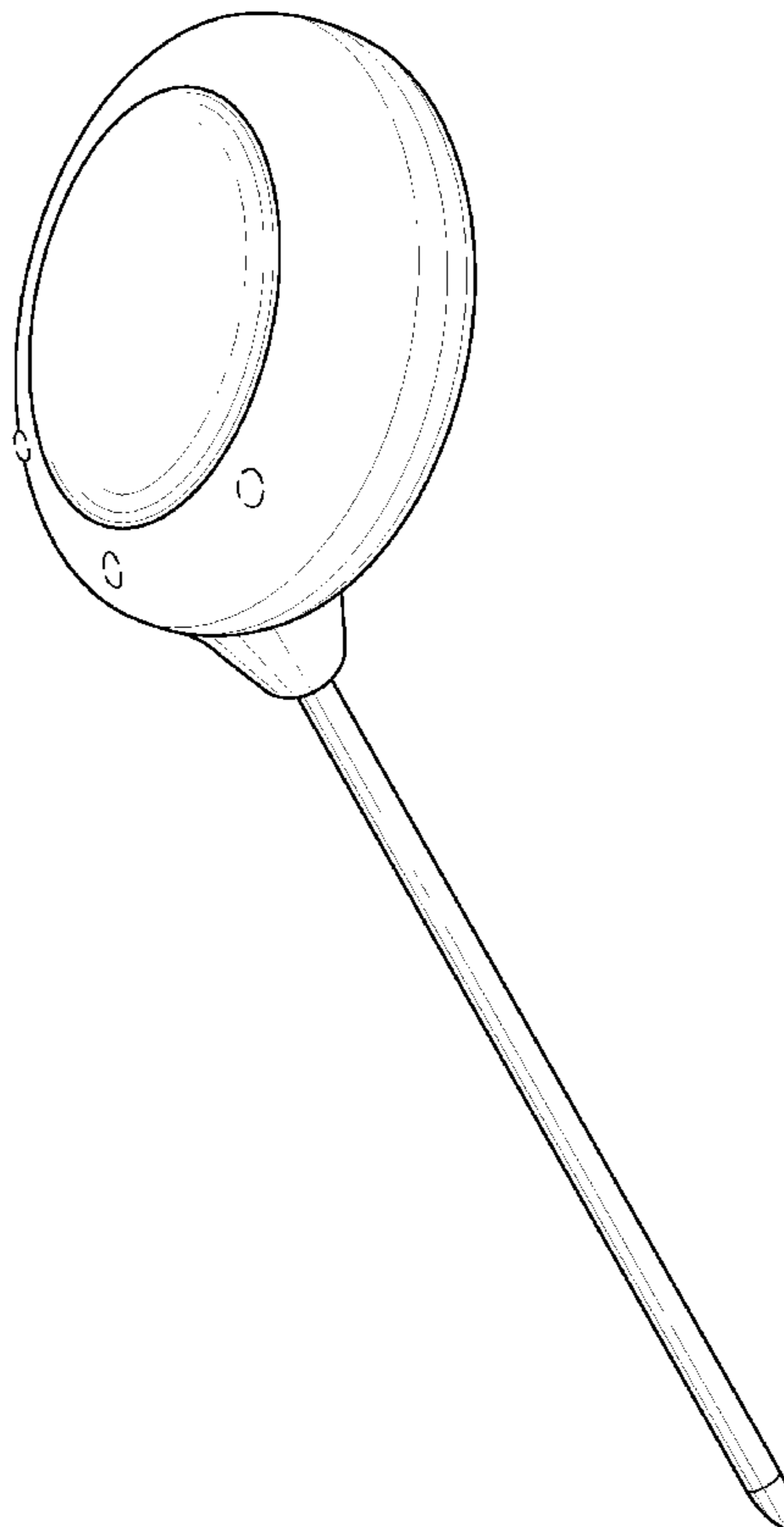
FIG. 5 is a front view of the thermometer shown in FIG. 1;

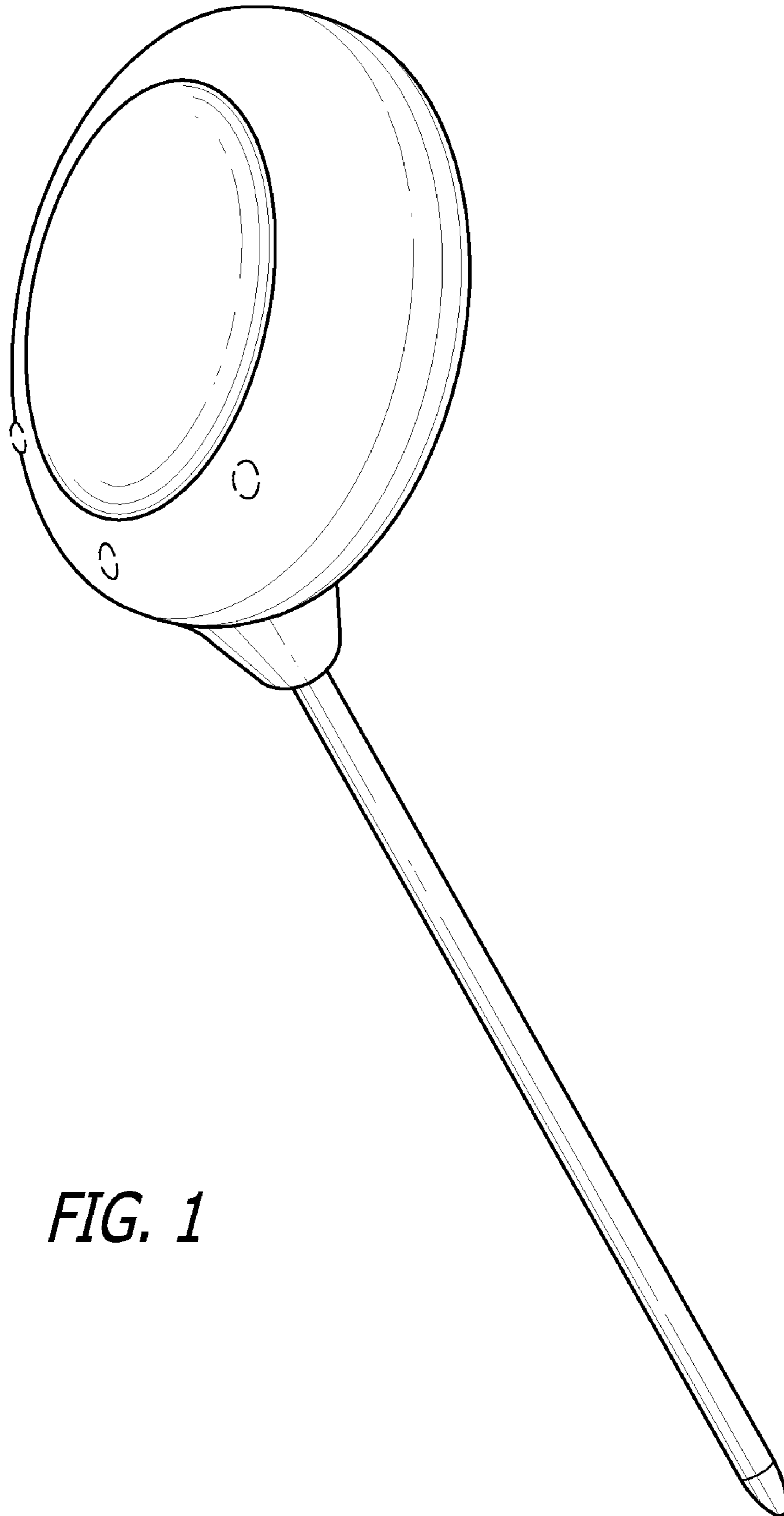
FIG. 6 is a left side view of the thermometer shown in FIG. 1; and,

FIG. 7 is a right side view of the thermometer shown in FIG. 1.

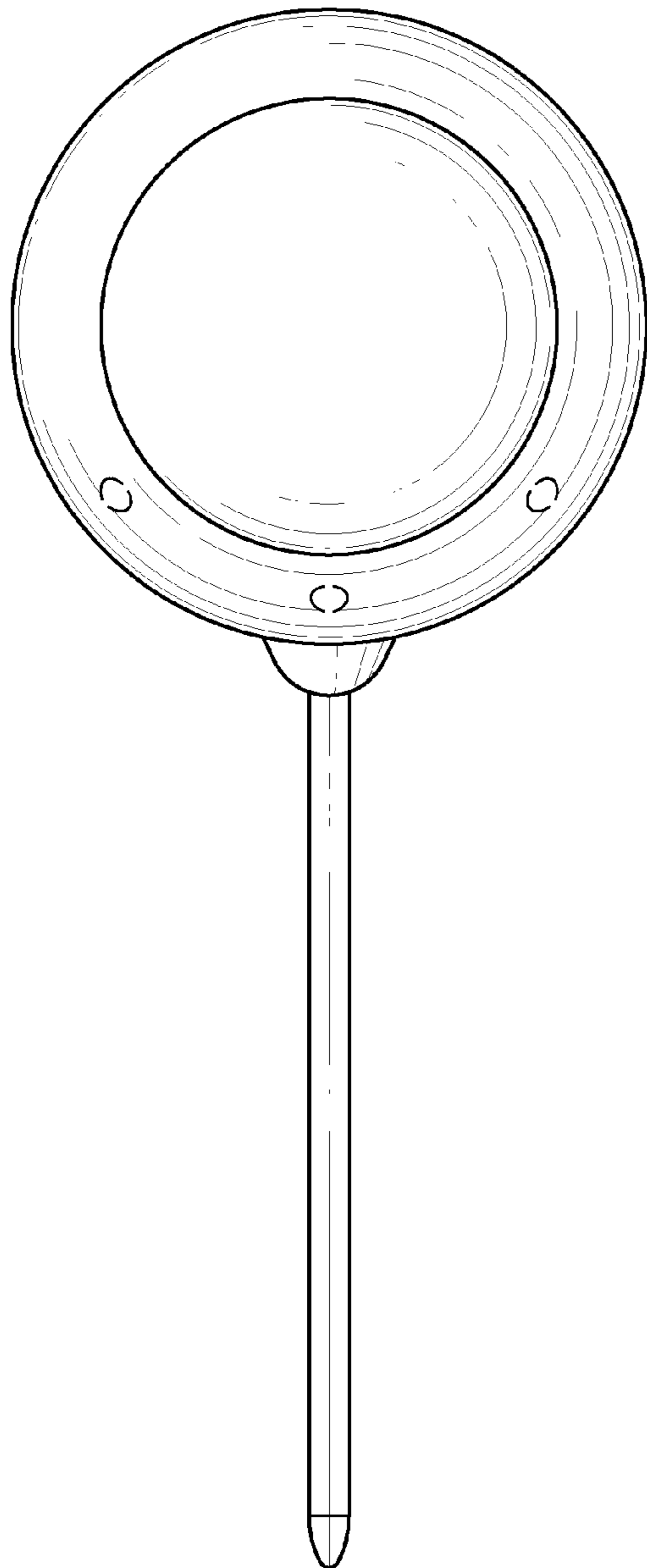
The broken line showing of structural features is included for the purpose of illustrating non-claimed subject matter and forms no part of the claimed design.

**1 Claim, 5 Drawing Sheets**

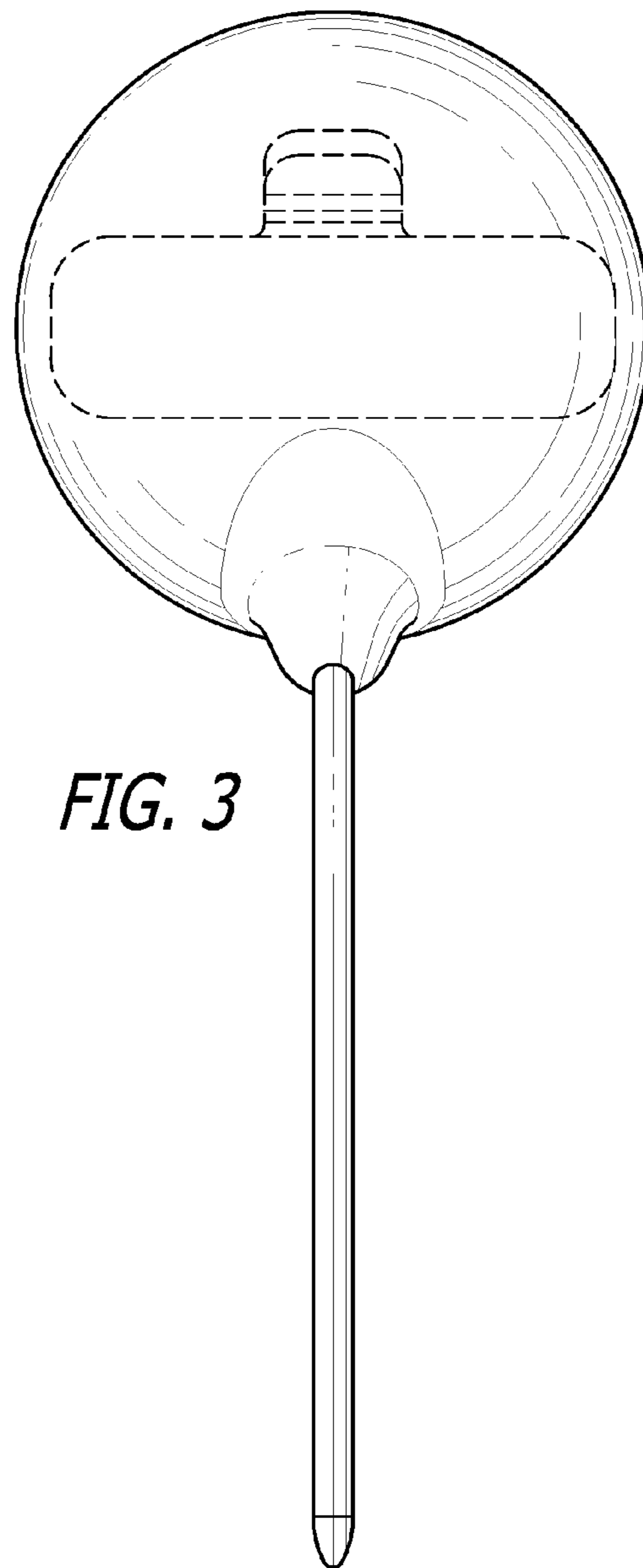




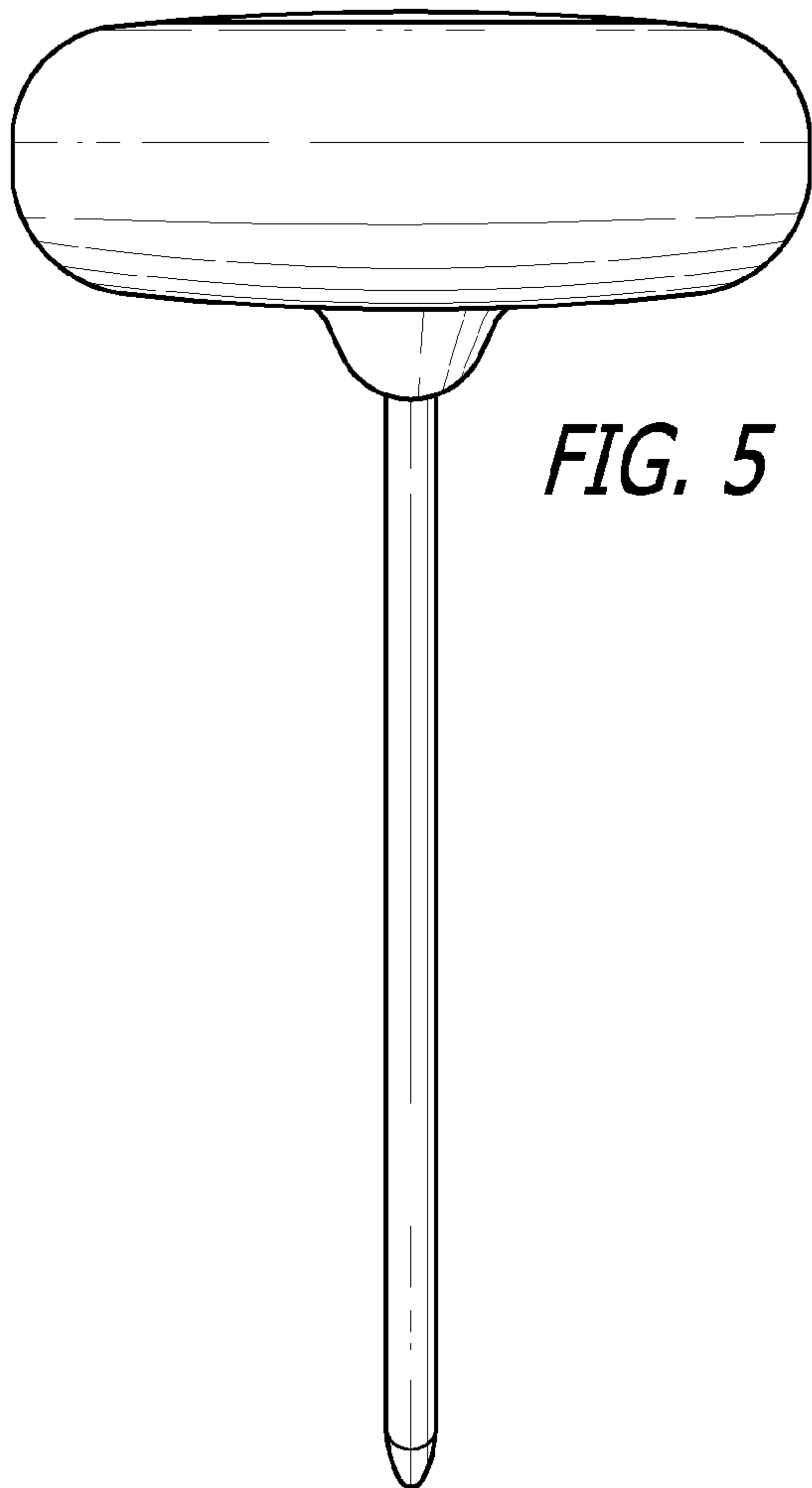
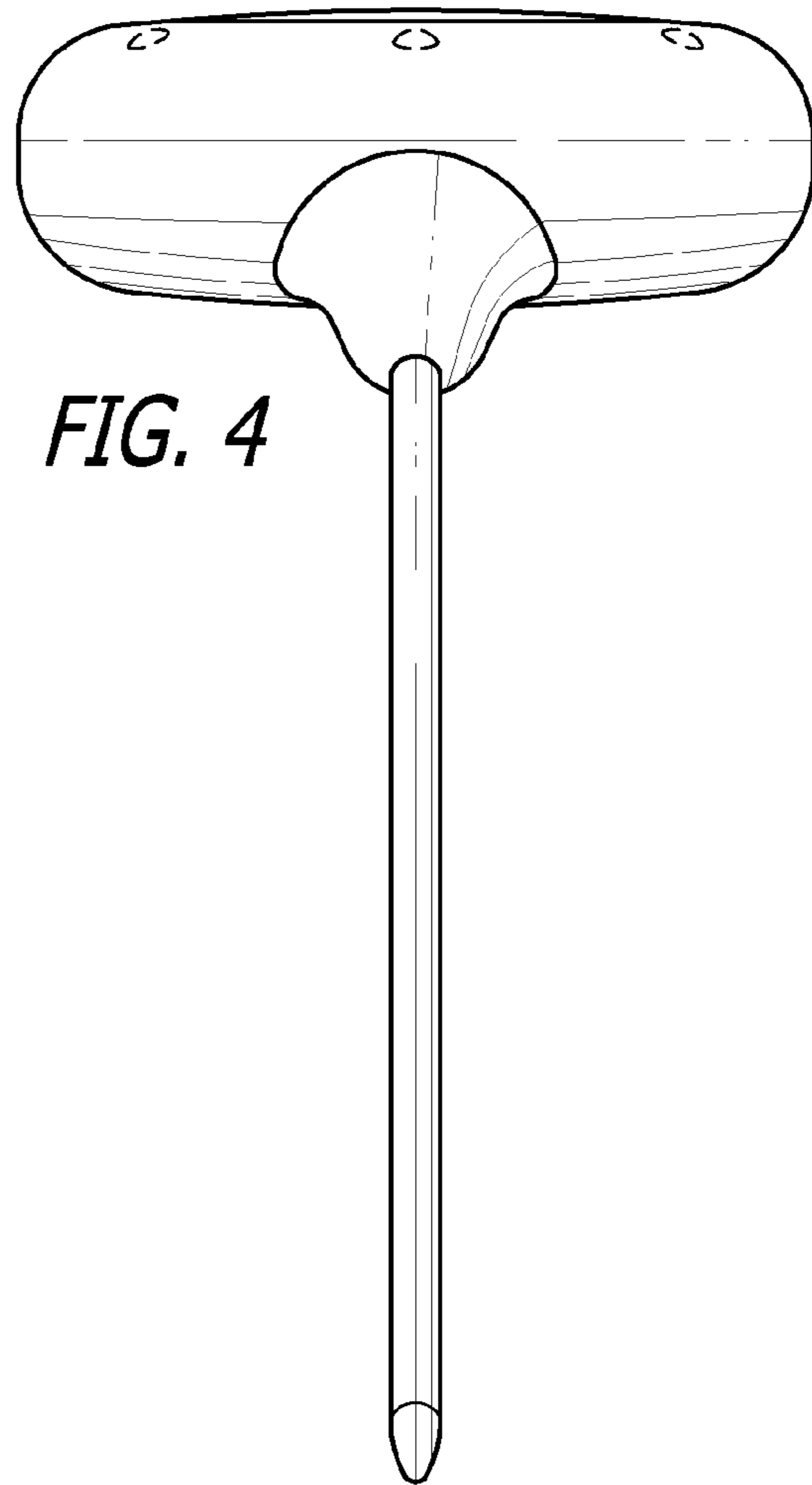
*FIG. 1*

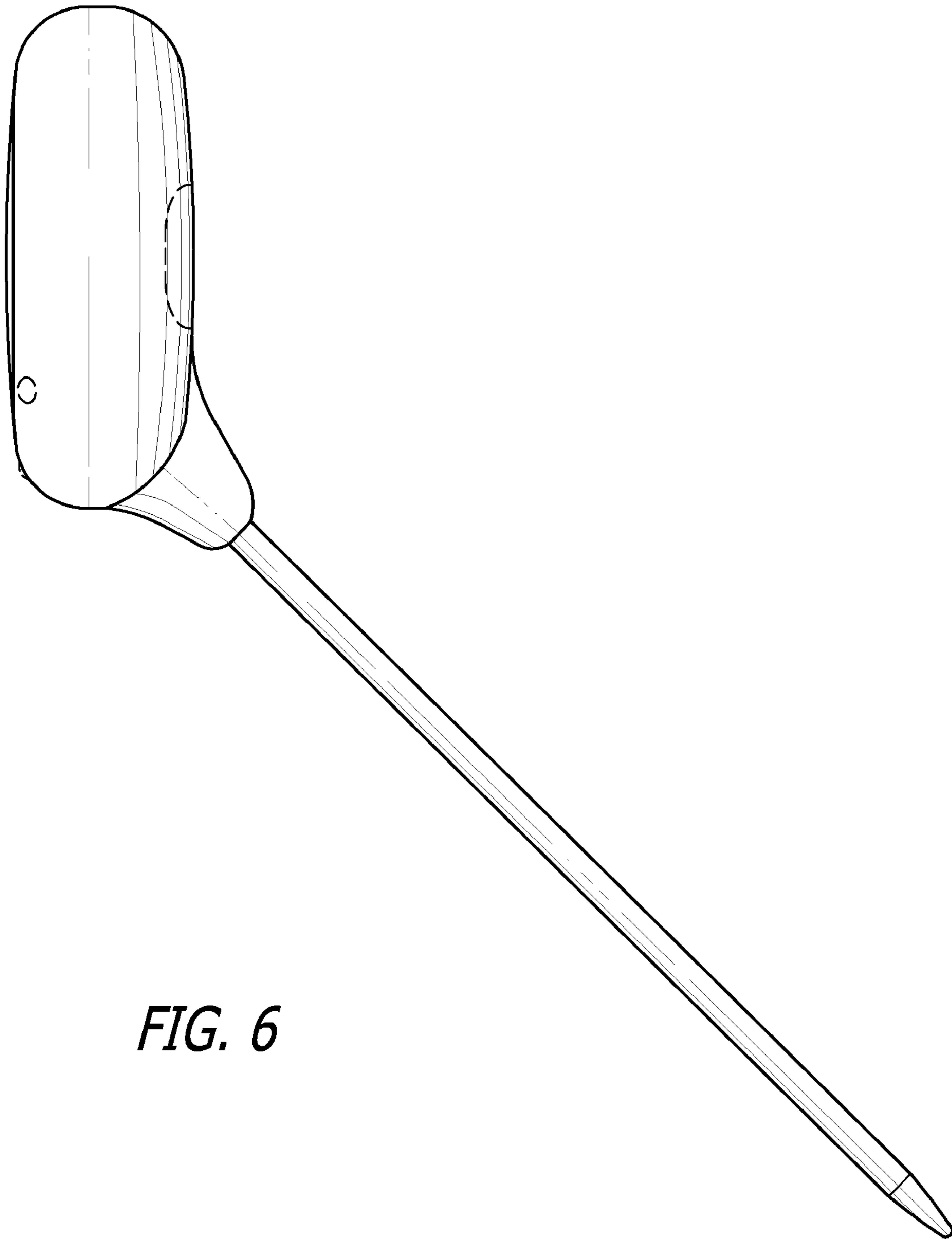


*FIG. 2*

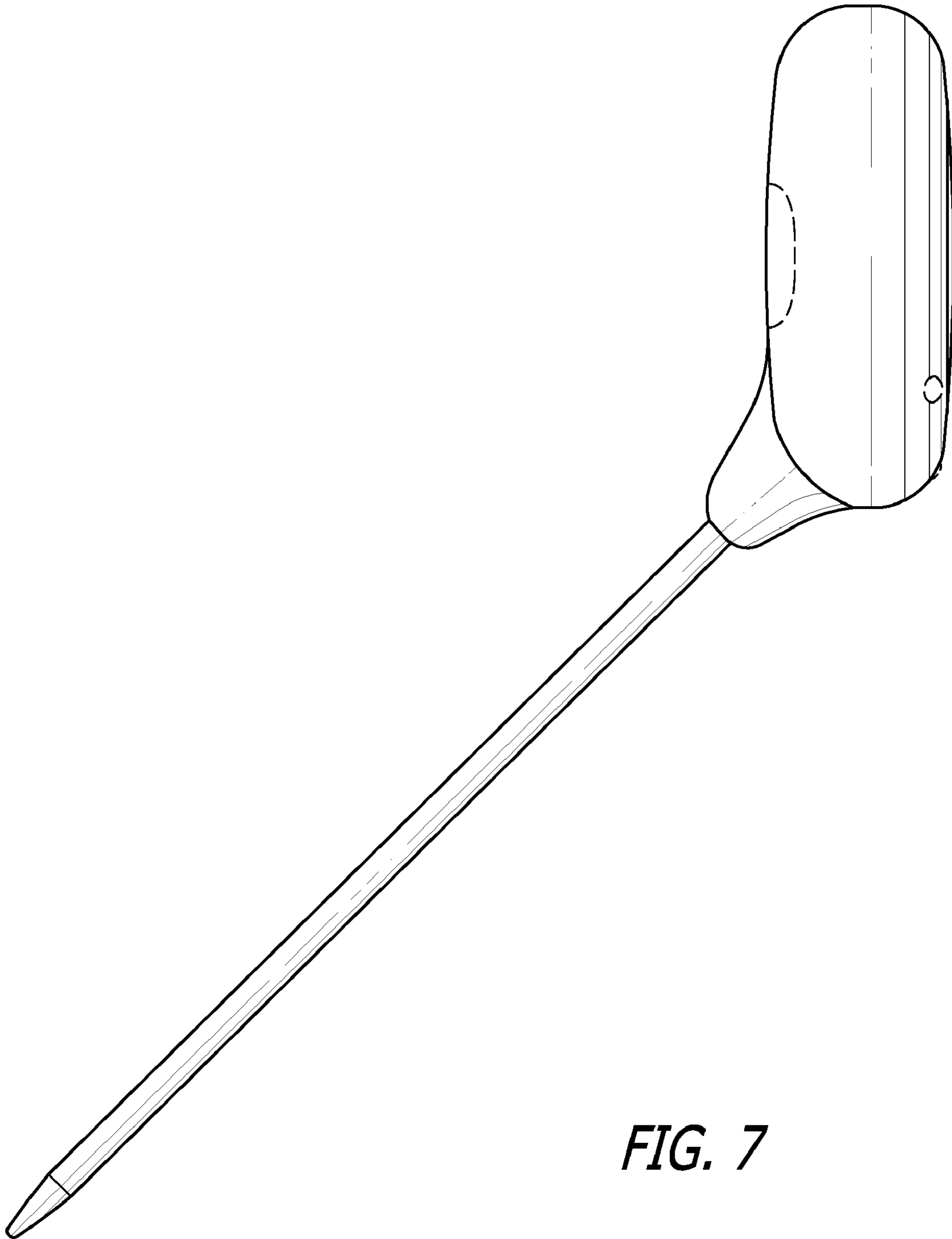


*FIG. 3*





*FIG. 6*



*FIG. 7*